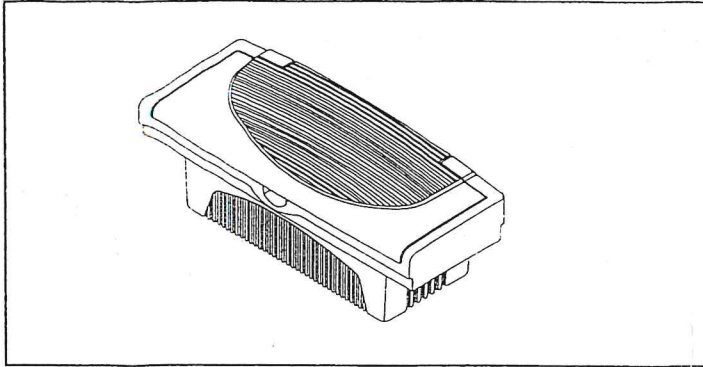


# UTILITY BOX INSTALLATION INSTRUCTIONS



## Caution for installation

Read this mounting manual carefully, before your start the installation.

1. Area where to install product should be clean.
2. During installation, person who installed should take off any ornaments.

Product name : MAX BOX CONCORDE 1.2  
 Model name : ALL MODEL  
 Instructions : F41-02CON02  
 Inst. number : L01-0055

## Component parts

No.	Part Name	Q'ty
1.	Utility box	1 Pc.
2.	Box holder set	2 Sets
3.	Rivet	4 Pcs.

## Tools used

Bit size 8 mm.      No. 10      Marker

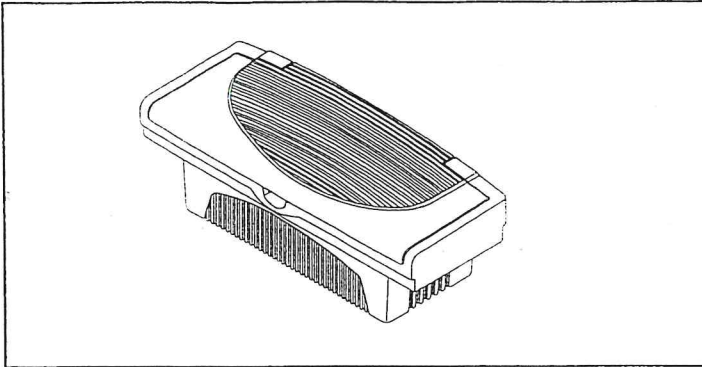
## Instruction procedure (with bed liner)

1

Detail : A

Detail : B

# UTILITY BOX INSTALLATION INSTRUCTIONS



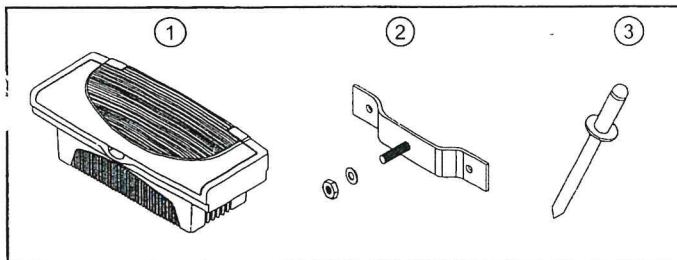
## Caution for installation

Read this mounting manual carefully, before your start the installation.

1. Area where to install product should be clean.
2. During installation, person who installed should take off any ornaments.

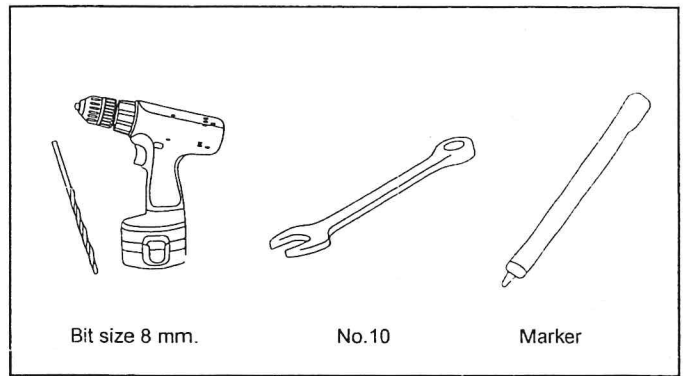
Product name : MAX BOX CONCORDE 1.2  
 Model name : ALL MODEL  
 Instructions : F41-02CON02  
 Inst. number : L01-0055

## Component parts



No.	Part Name	Q'ty
1.	Utility box	1 Pc.
2.	Steel plate support	2 Sets
3.	Rivet	4 Pcs.

## Tools used



## Instruction procedure (without bed liner)

