

**SPORTGUARD Fitting Instructions for  
Isuzu D-max Under Rail 2020+  
Mazda BT-50 Under Rail 2020+**

# SPORTGUARD Fitting Instructions for Isuzu D-max / Mazda BT-50 20+

READ INSTRUCTIONS CAREFULLY BEFORE COMMENCING THIS ACTIVITY.

## General Notes

- Read through the fitting instructions before installation of accessory.
- Check that the contents of the Fitting Kit are complete and undamaged.
- If any contents of the Fitting Kit are found incomplete or damaged they must be replaced using the specified accessory components.
- Always install the accessory following the fitting instructions. Failure to do so may cause damage to the vehicle or the accessory and void the warranty.
- Ensure all recyclable discarded vehicle/accessory components and packaging are disposed following local recycling regulations.
- Safely store and protect any removed vehicle components.
- Ensure all bare metal surfaces are protected using Automotive Bare Metal Primer and touch-up paint.
- Remove all metal swarf and dust from all vehicle surfaces if surface is used for accessory installation.
- Ensure all fasteners are torqued to the specifications as per instruction.
- Apply any adhesives to the vehicle only when the surface temperature is between 20°C to 40°C.
- **Sportlid:** Recommended all smooth lids are painted. Failure to paint lid will void the warranty.
- **Bedliner:** Recommended rust preventative solution be applied to vehicle surfaces before installation.

## General Vehicle and Accessory Warranty Notes and Cautions

- For correct installation and proper operation of the vehicle and accessory we recommend this accessory is fitted by a qualified Technician.
- During the accessory fitment ensure all automotive safety practices and regulations are followed.
- Do not modify the vehicle in any way other than specified in these Accessory Fitting Instructions as this may void the warranty.

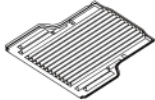

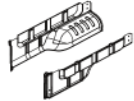
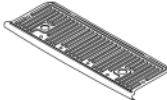



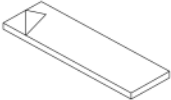



## Safety Notes

- Check that all work practises comply with safety standards.
- It is advisable to seek assistance from another person when lifting heavy components.
- While using power tools ensure safe procedures are followed.
- Appropriate clothing & PPE must be worn.



# SPORTGUARD Fitting Instructions for Isuzu D-max / Mazda BT-50 20+

READ INSTRUCTIONS CAREFULLY BEFORE COMMENCING THIS ACTIVITY.

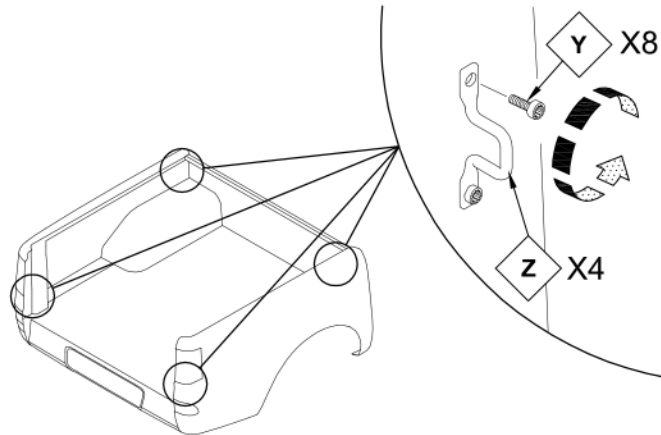
Kit Contents- Hardware			○ = NEW PART	◇ = EXISTING PART
No.	Item Description	Quantity	Image	Part Number
1	FLOOR	1		10056719
2	FRONT WALL	1		10056713 CAP ON 10056718 CAP OFF
3	SIDE WALL SETS	1		
4	TAILGATE	1		
5	CAP FILLED DOME INCL WASHER & TOP	6		10003729
6	R-PVC EXTRUSION 1200MM	1		10056657
7	SCREW 8GX3/4 PAN POZI S/TAP SS	6		10057104
8	TAPE D/SIDED TABS 30MMX70MM	5		10003731
9	SC FST SPACER M8X10X4mm SS	8		10051491
10	WASHER FLAT RETAIN M5X11.5X1.6MM	6		10057105
11	R-PVC EXTRUSION 1000MM	1		10056694

# SPORTGUARD Fitting Instructions for Isuzu D-max / Mazda BT-50 20+

READ INSTRUCTIONS CAREFULLY BEFORE COMMENCING THIS ACTIVITY.

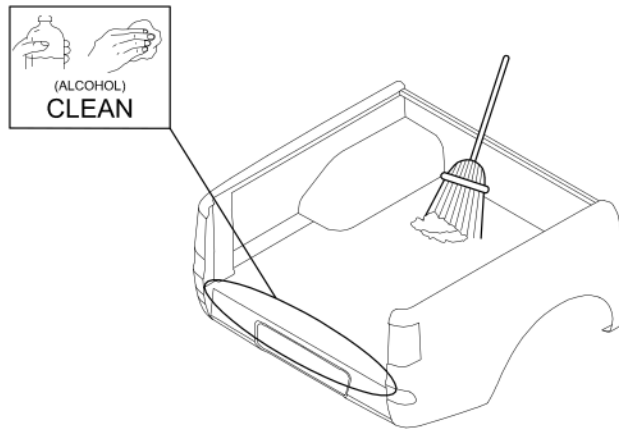
## Step 1

- Remove the factory tie hooks.
- Retain all parts.



## Step 2

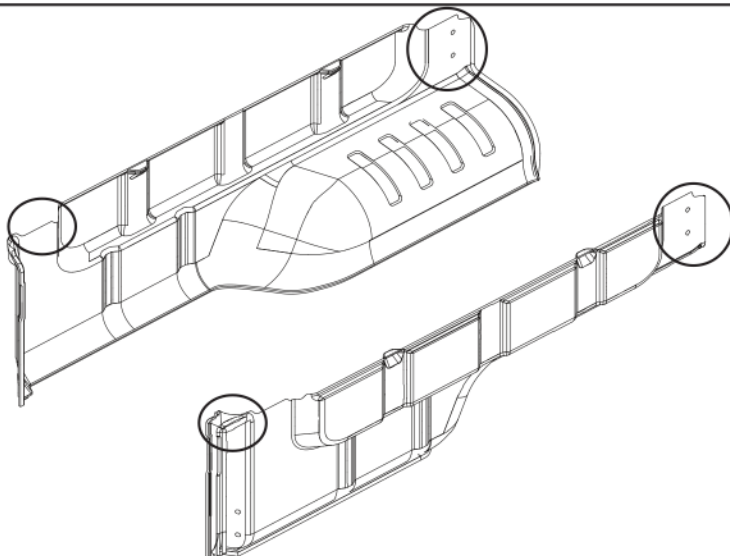
- Remove any debris from the vehicle tub.
- Clean the rear sill using alcohol.



## Step 3

### !!!OPTIONAL STEP !!!

- Compatibility with ARB Canopy requires trimming of Side Wall Sets (3).
- Refer to the formed scribes on the B surface on the circled area for trimming.
- De-bur all cut edges.
- Ensure ARB Canopy mounting hardware is installed before the Side Wall Sets(3).



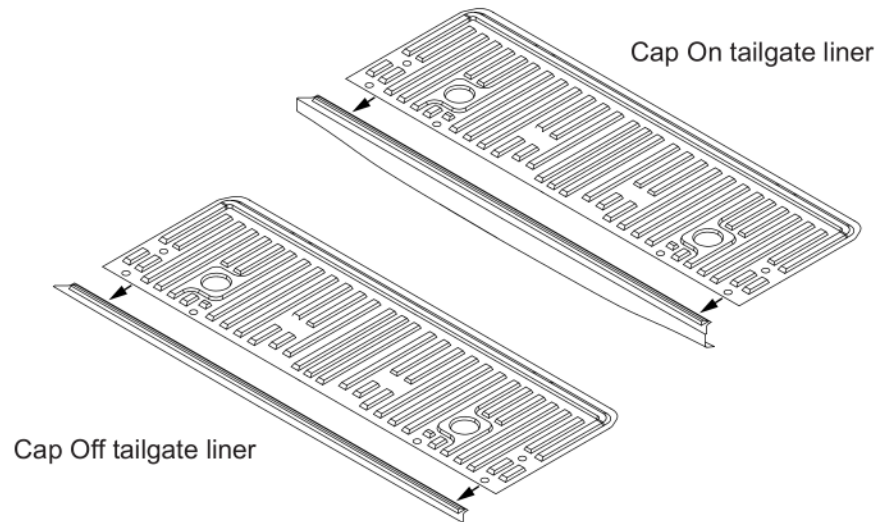
# SPORTGUARD Fitting Instructions for Isuzu D-max / Mazda BT-50 20+

READ INSTRUCTIONS CAREFULLY BEFORE COMMENCING THIS ACTIVITY.

## Step 4

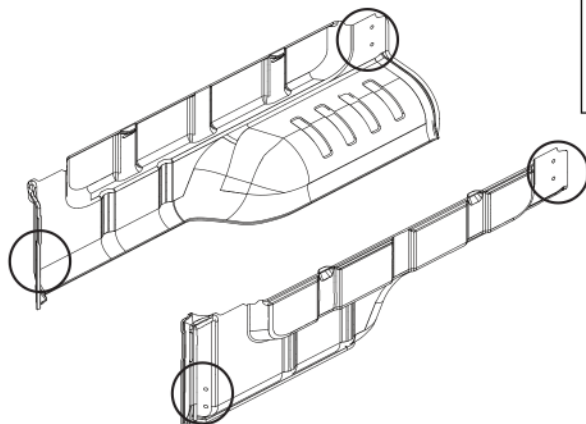
### !!!OPTIONAL STEP !!!

- Compatibility with ARB Canopy requires trimming of Tailgate (4).
- Using the bottom edge of the horizontal formed rib as a guide, cut the top portion of the tailgate liner off.
- De-bur all cut edges.
- Ensure ARB Canopy mounting hardware is installed before the tailgate liner.



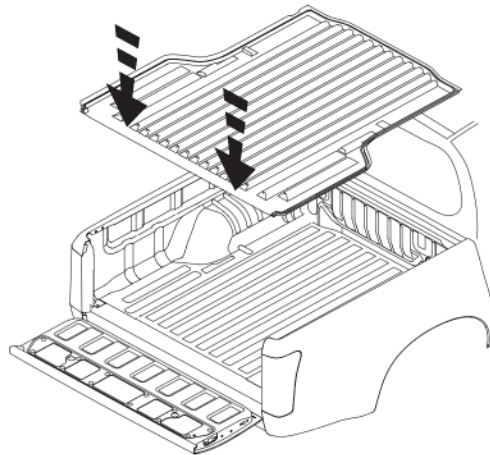
## Step 5

- Drill out 8 X 13mm holes on cross hairs scribed on the B-surface.
- Remove any debris from Side Wall Sets (3).



## Step 6

- Install the Floor (1).

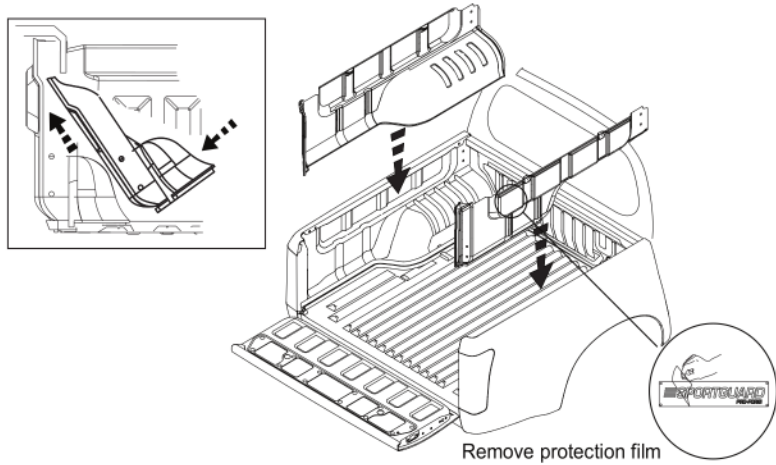


# SPORTGUARD Fitting Instructions for Isuzu D-max / Mazda BT-50 20+

READ INSTRUCTIONS CAREFULLY BEFORE COMMENCING THIS ACTIVITY.

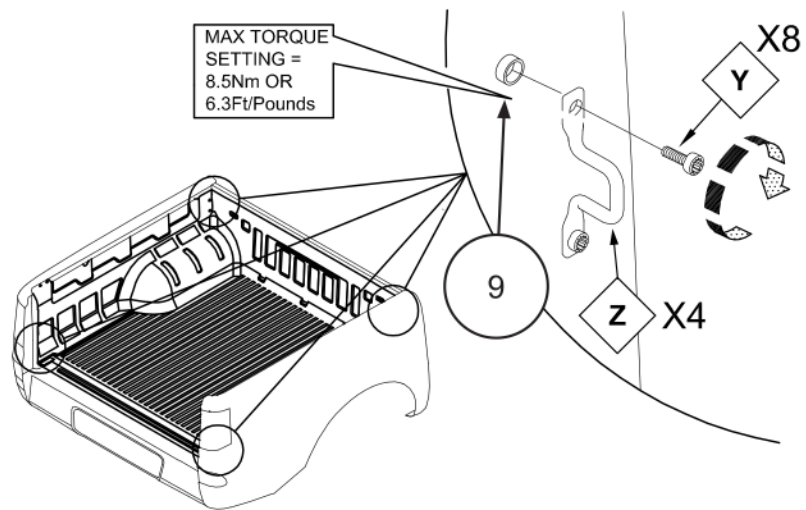
## Step 7

Install the Side Wall Sets(3).



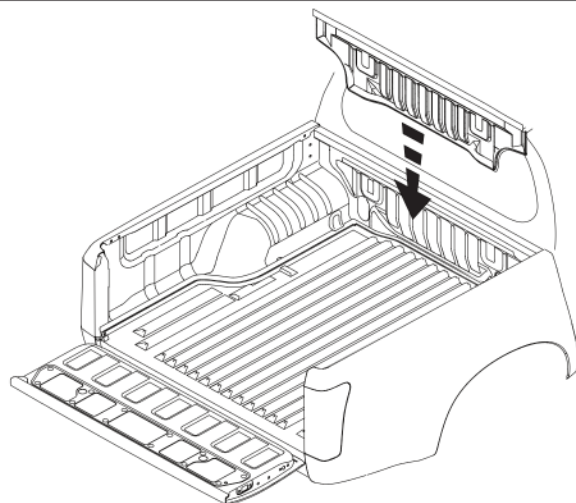
## Step 8

- Re-install the factory tie hooks using Spacer (9) as a metal to metal spacer behind the tie hook.



## Step 9

Install the Front Wall (2).

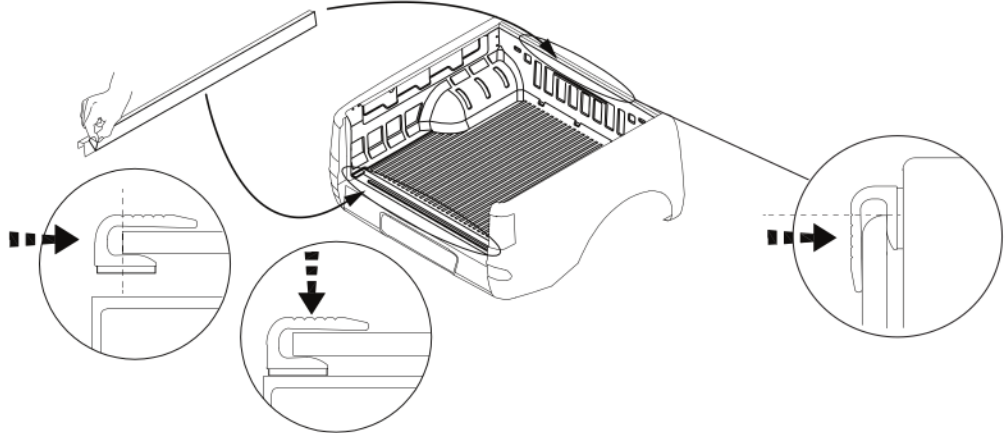


# SPORTGUARD Fitting Instructions for Isuzu D-max / Mazda BT-50 20+

READ INSTRUCTIONS CAREFULLY BEFORE COMMENCING THIS ACTIVITY.

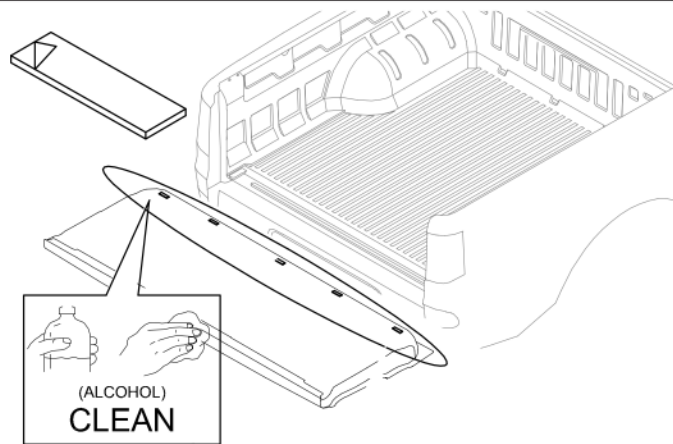
## Step 10

- Install PVC retaining strips (6) along Floor (1) rear sill.
- Install PVC retaining strips (11) on Front wall (2).
- Ensure to leave a small amount of room between the liner and the PVC strip to allow for thermal expansion.



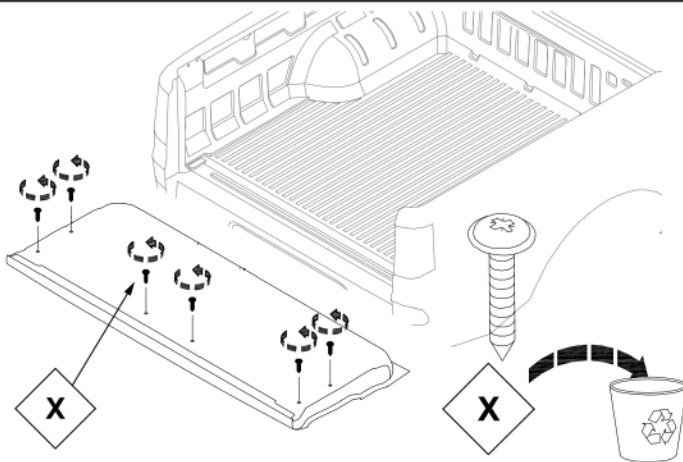
## Step 11

- Clean the highlighted area on the vehicle tailgate with alcohol.



## Step 12

- Remove 6 X factory screws from the tailgate service hatch as per illustration.



# SPORTGUARD Fitting Instructions for Isuzu D-max / Mazda BT-50 20+

READ INSTRUCTIONS CAREFULLY BEFORE COMMENCING THIS ACTIVITY.

## Step 13

- Place the tailgate (4) onto the vehicle
- Fasten two outside screws using items (5, 7 & 10)
- Remove backing from tape tabs and apply pressure to ensure a good bond is achieved between the tape tabs and the vehicle.
- Install the remaining screws and washers.

