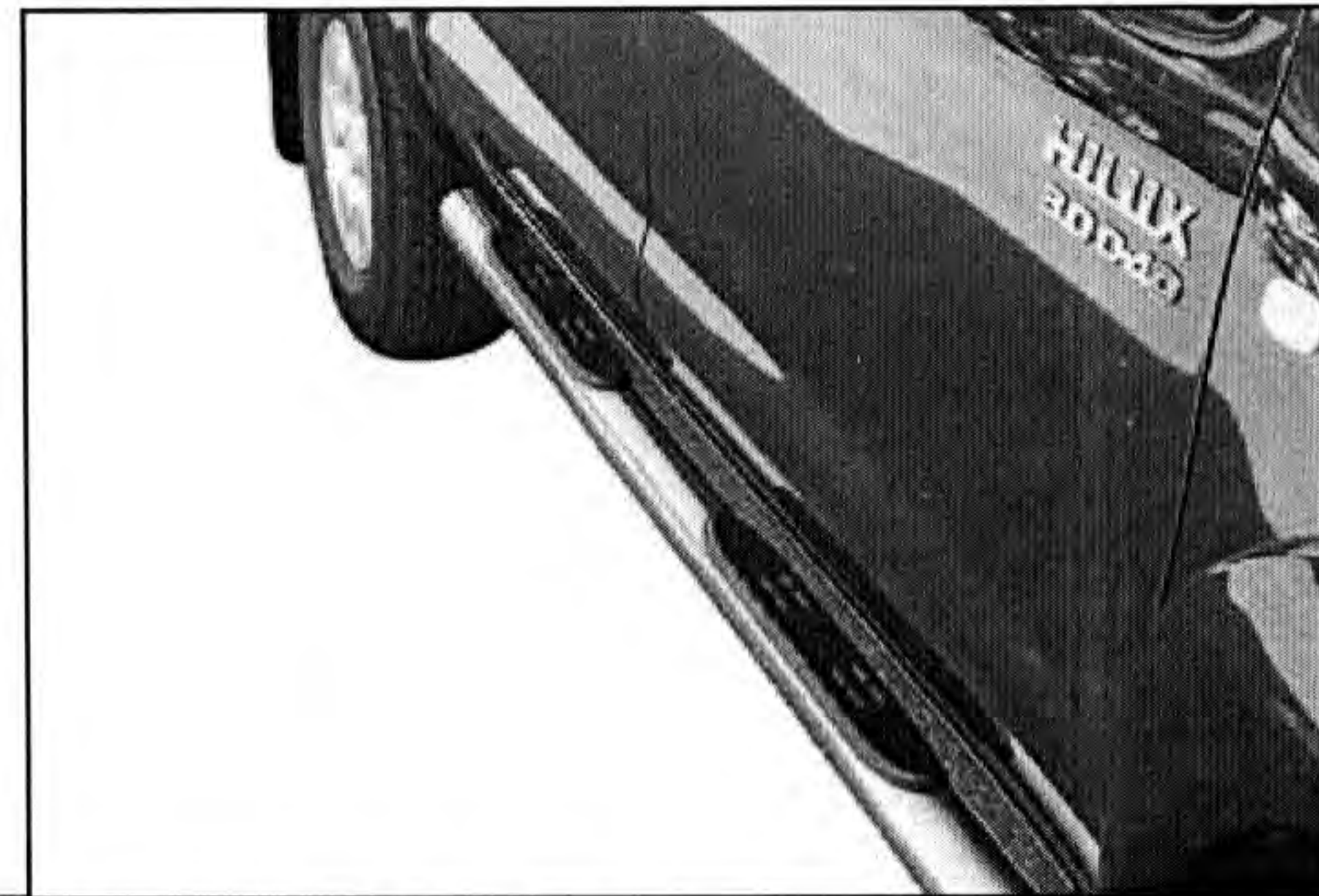
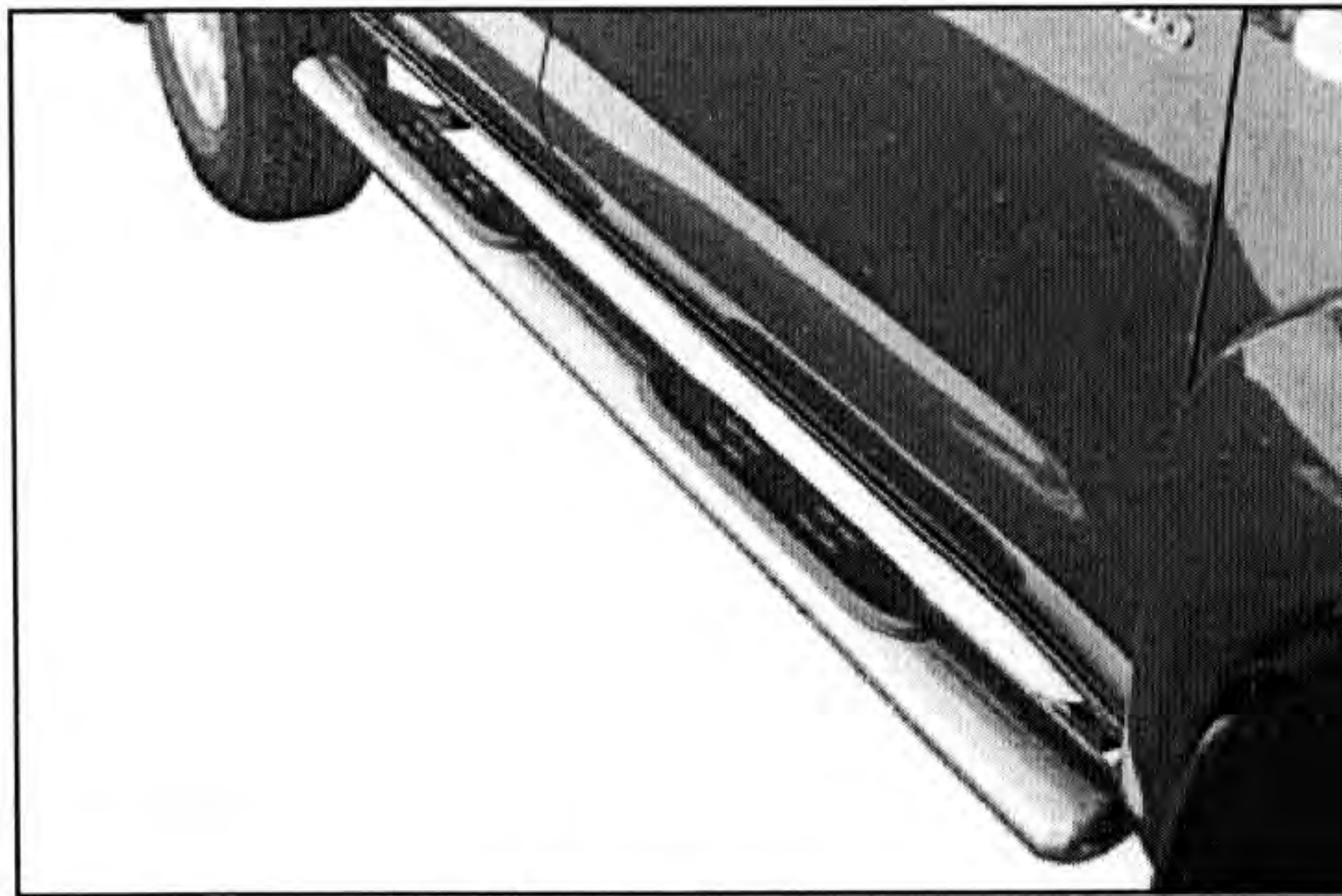


ROAD RANGER®

TOYOTA HI-LUX DOUBLE CAB



Item Code

Codice Articolo

Référence Article

GP/208/IX
:
GPO/208/IX

GB

STAINLESS STEEL GRAND PEDANA
OVAL GRAND PEDANA

ITA











GRAND PEDANA/ GRAND PEDANA
OVALE IN ACCIAIO INOX

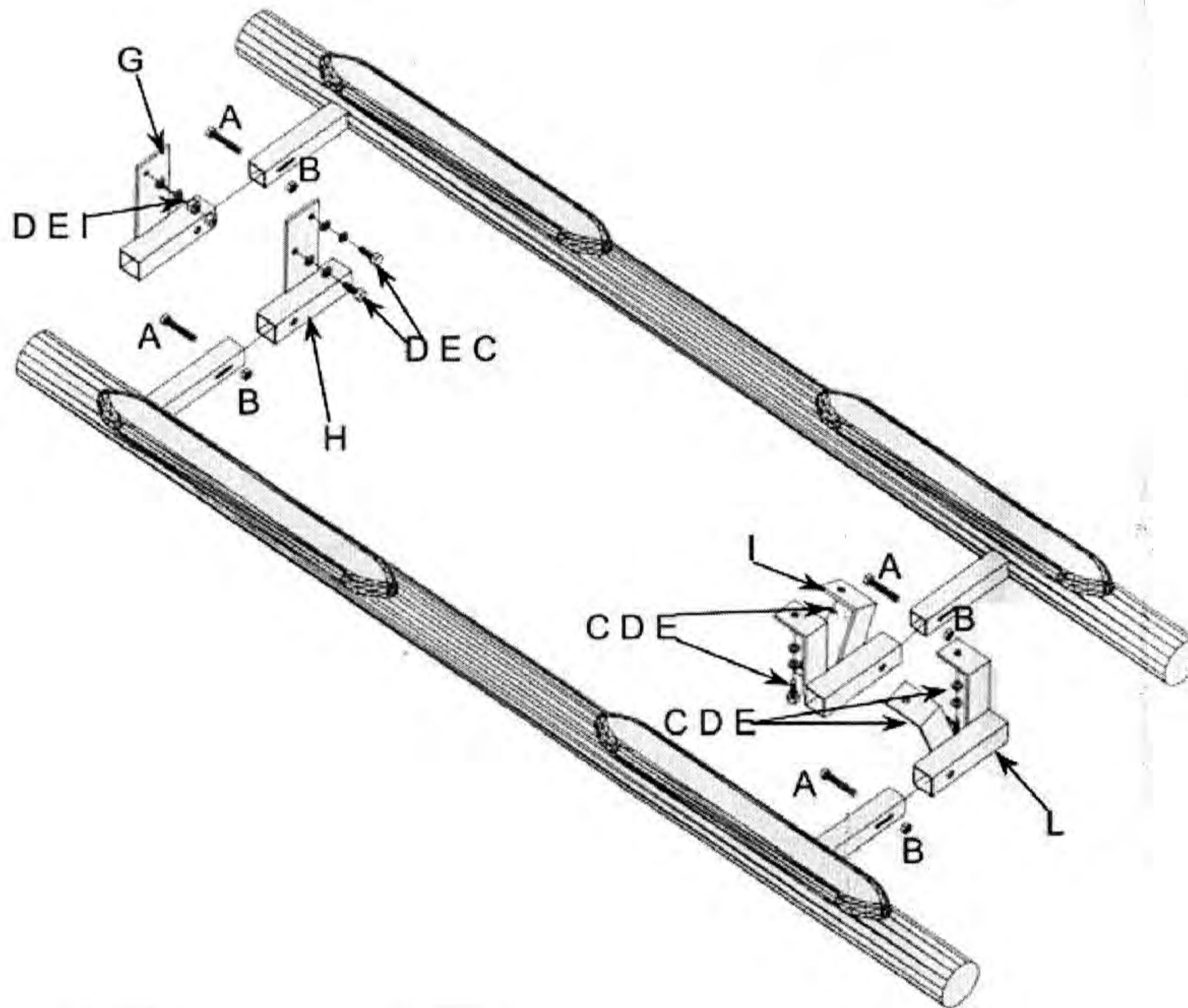
FR

GRAND PEDANA/ GRAND
PEDANA OVALE EN ACCIER INOX

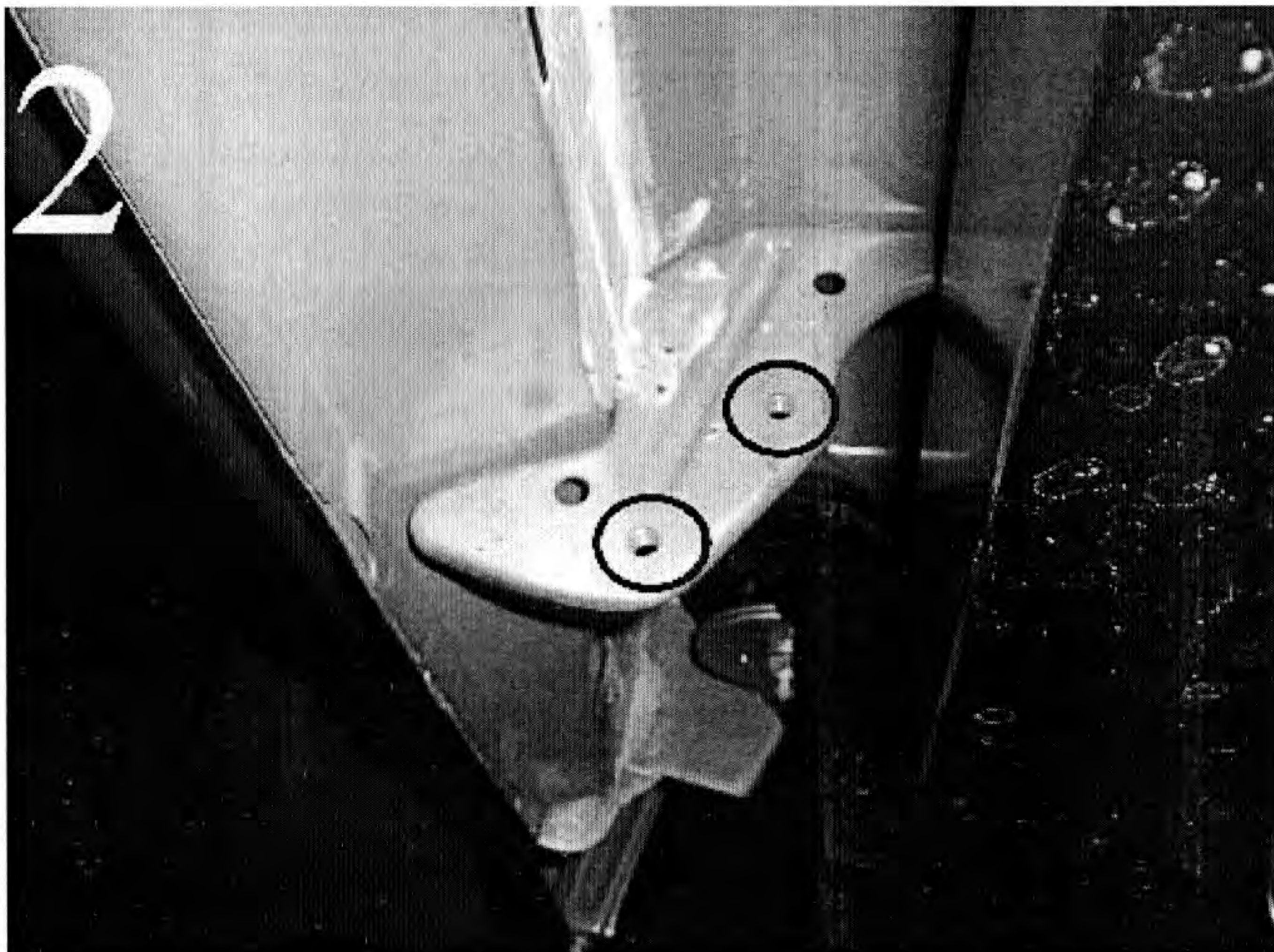
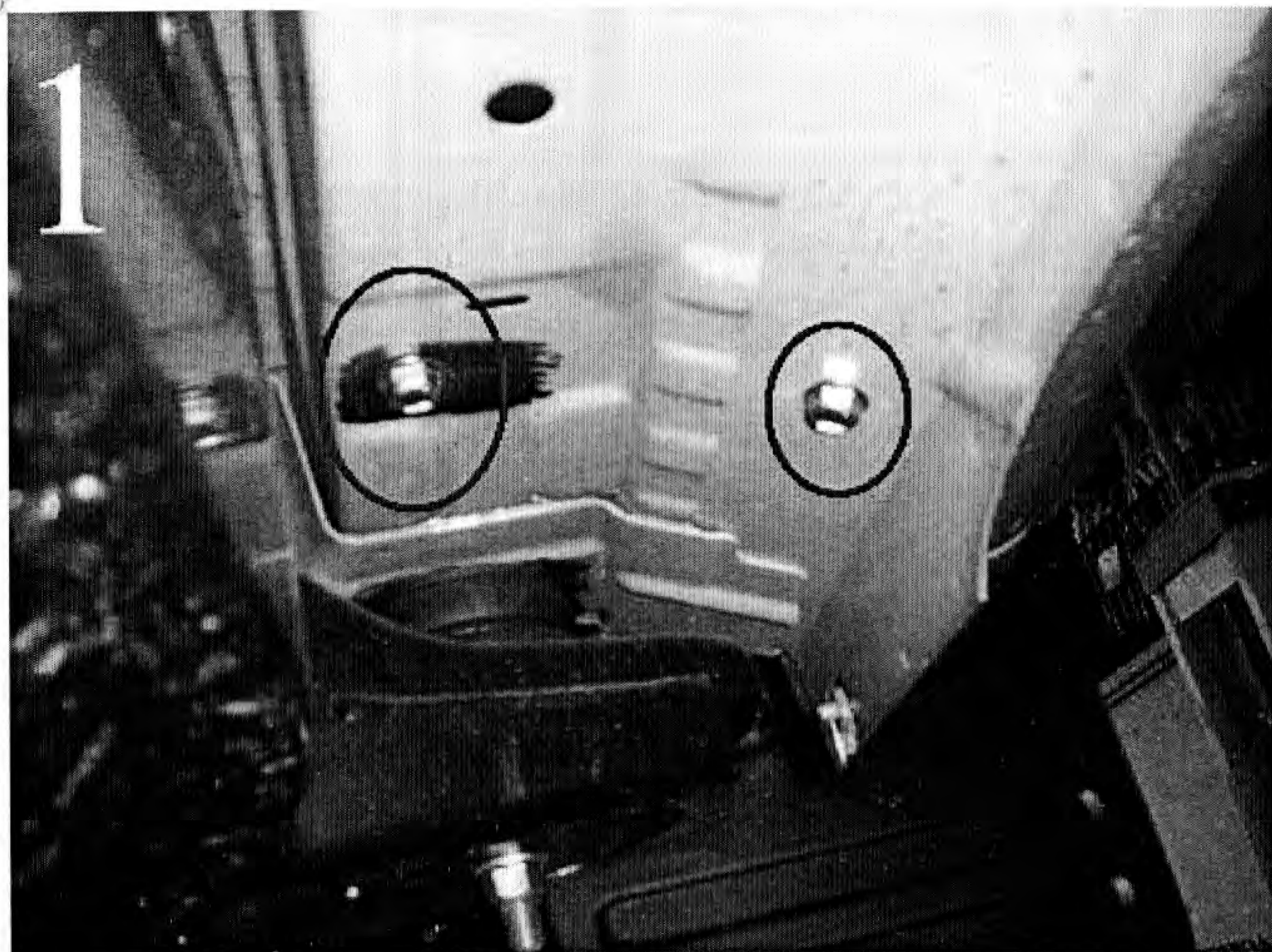
TOYOTA HI-LUX DOUBLE CAB

Part List
 Lista della bulloneria
 Liste des pièces

A	 TE 10X50 Black Nero Noir x 4	I	 S/171/A-SX x 1
B	 M10 autoblocking autobloccante autobloquant x 4	L	 S/171/A-DX x 1
C	 TE 8X20 x 6		
D	 Ø 8 x 8		
E	 Ø 8 x 8		
F	 M8 x 2		
G	 S/171/P-SX x 1		
H	 S/171/P-DX x 1		



ROAD RANGER®



Date Data Date	Item Code Cod.Articolo Réf. Article	Vehicle model Modello Veicolo Modèle de Voiture
28/09/07	GP/208/IX GPO/208/IX	TOYOTA HI-LUX 2006 DOUBLE CAB

ROAD RANGER®