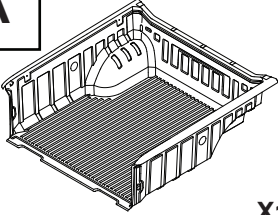
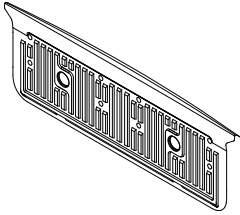
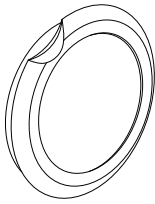
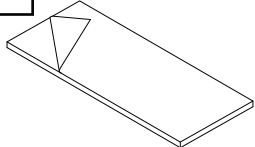
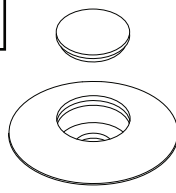
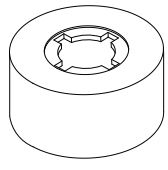
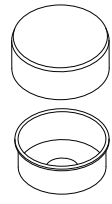
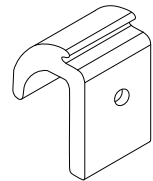
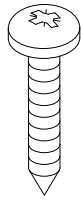
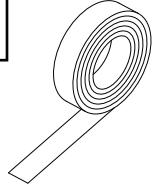

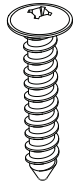
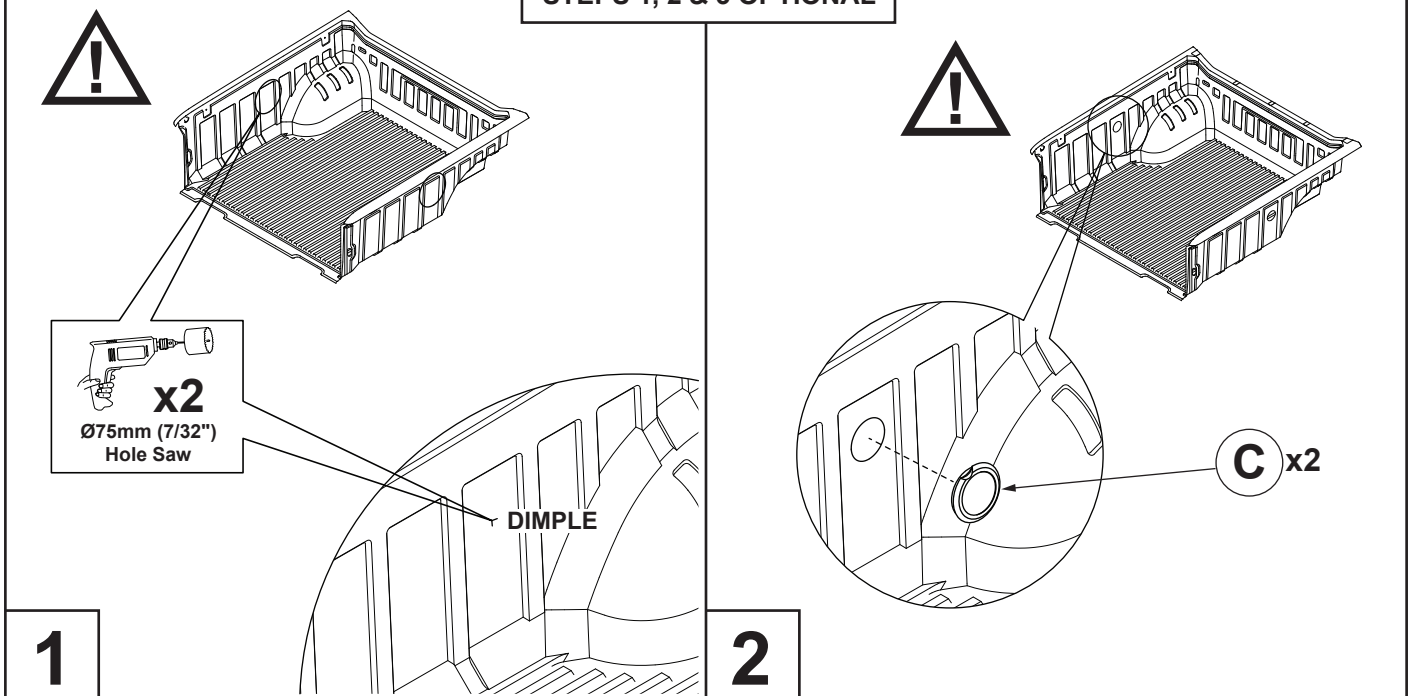




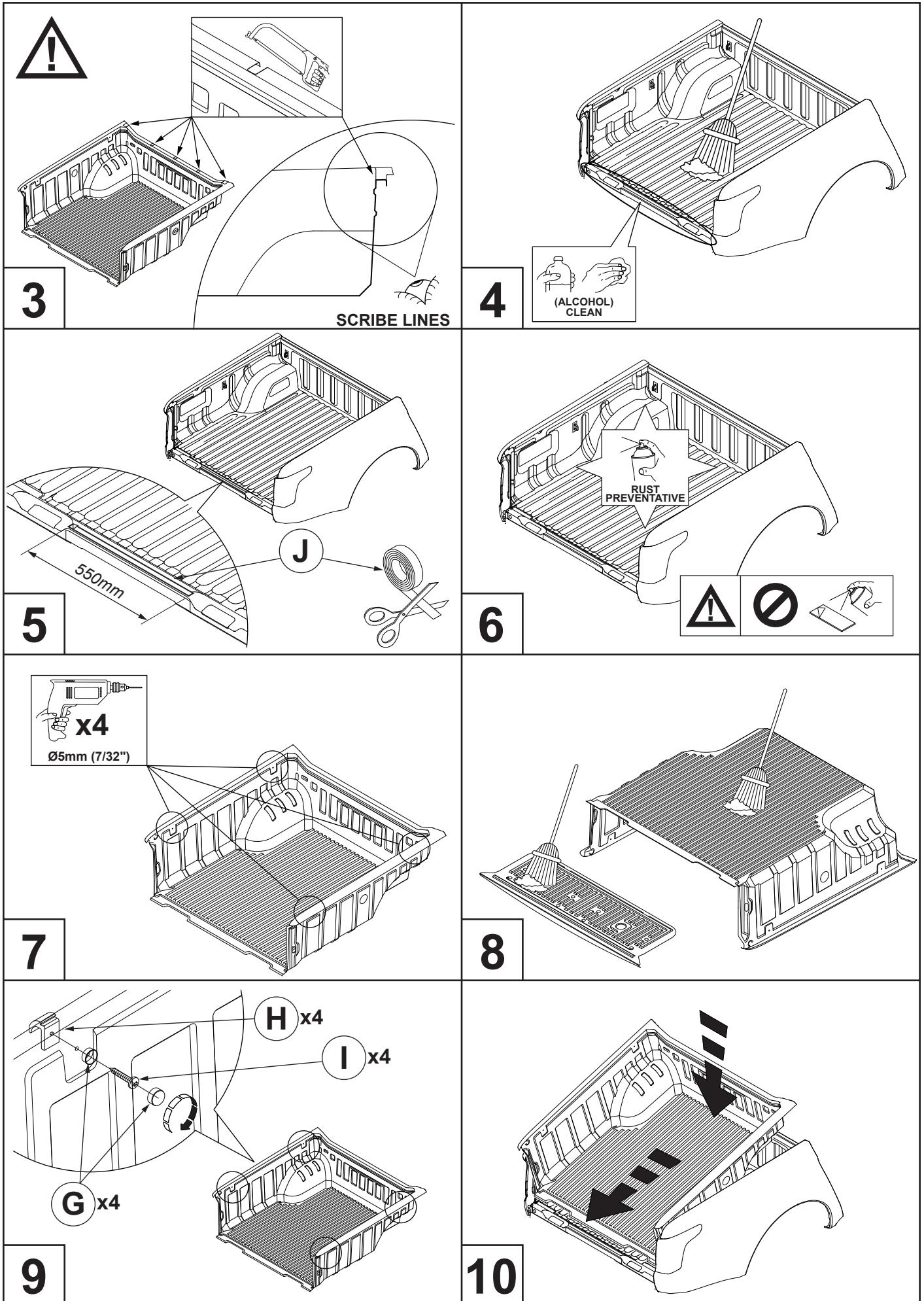
INSTALLATION INSTRUCTIONS (K648)
Over Rail Liner
Mitsubishi-Triton L200-2014-Double Cab

A  X1	B  X1	C  X2	D  X5
E  X8	F  6mm X8	G  X4	H  X4
I  X4	J  2.6m roll X1	K  X2	L  X8
<p>◇ = EXISTING PART ○ = NEW PART</p>			

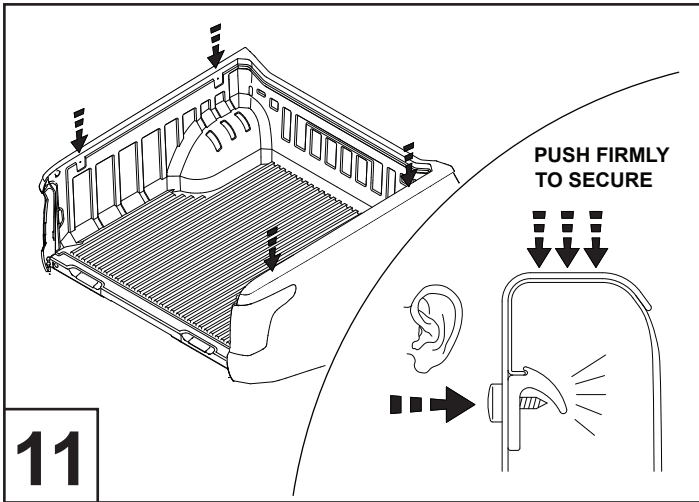
STEPS 1, 2 & 3 OPTIONAL



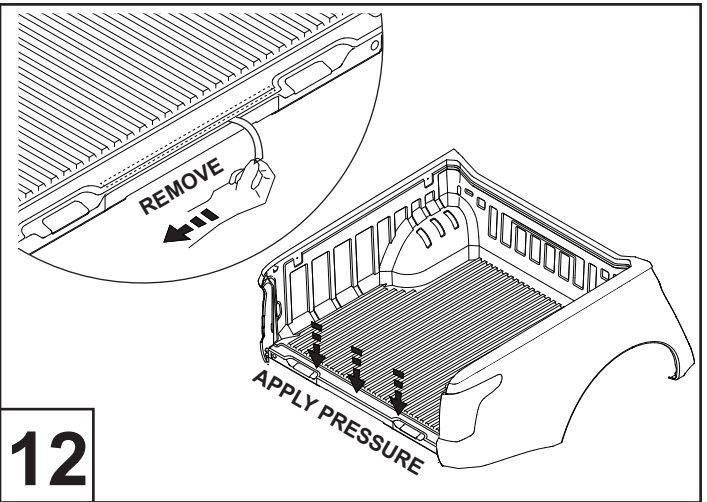
Fitting Kit Number	Manufacturer	Model Type	Year	Stockist	Cab Size	Product	Revision	Date	Page
K648	Mitsubishi	Triton L200	2014	Mitsubishi	DC	Bedliner	2	20/8/2015	1 of 3



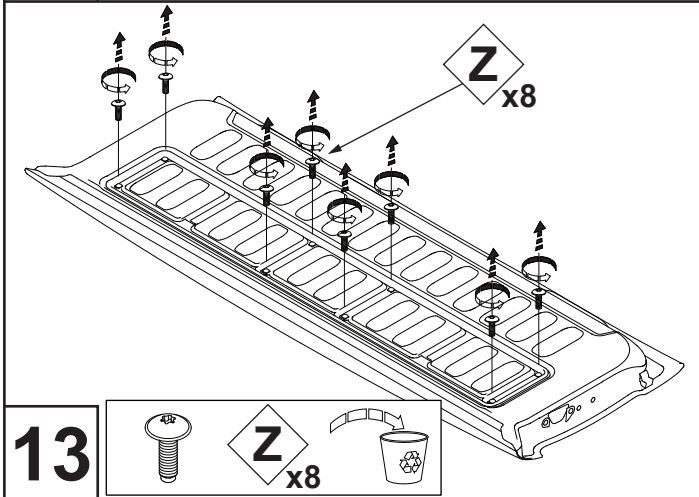
Fitting Kit Number	Manufacturer	Model Type	Year	Stockist	Cab Size	Product	Revision	Date	Page
K648	Mitsubishi	Triton L200	2014	Mitsubishi	DC	Bedliner	2	20/8/2015	2 of 3



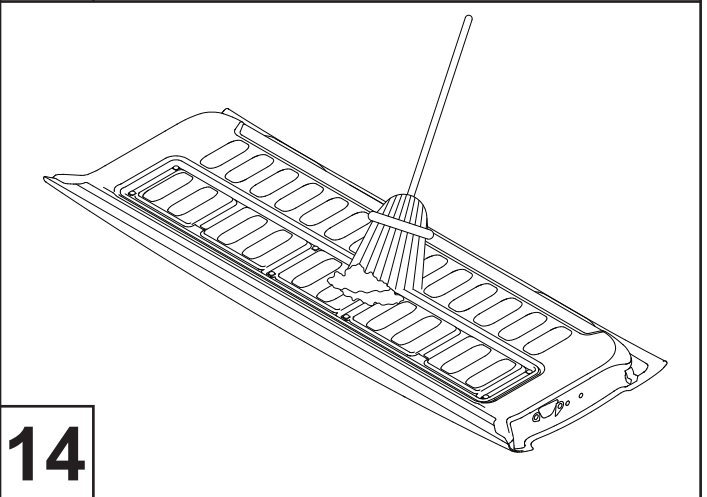
11



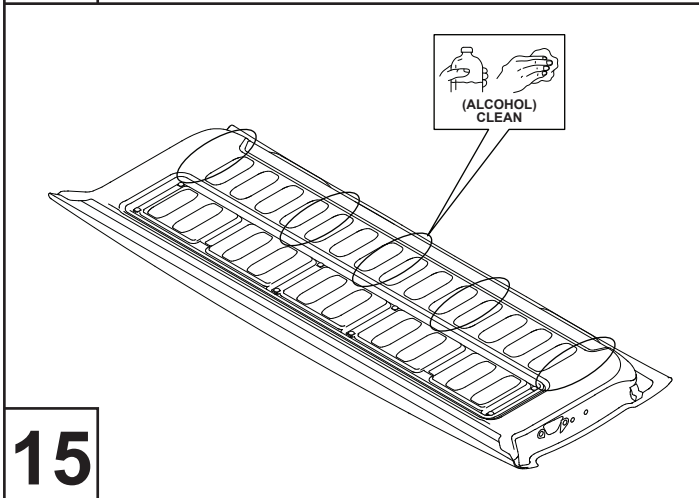
12



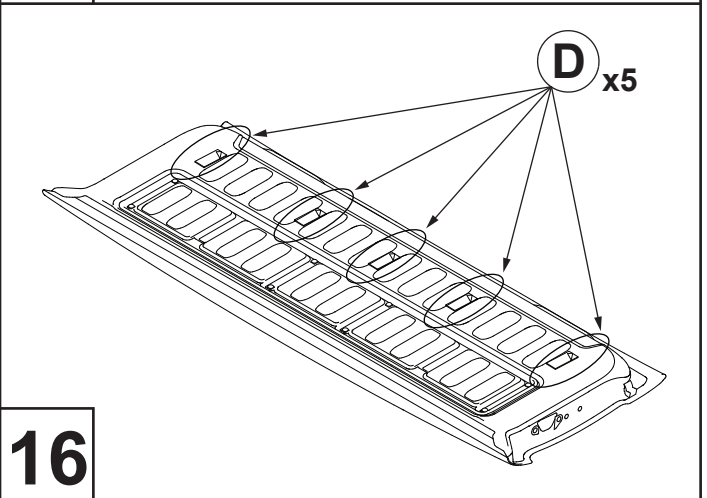
13



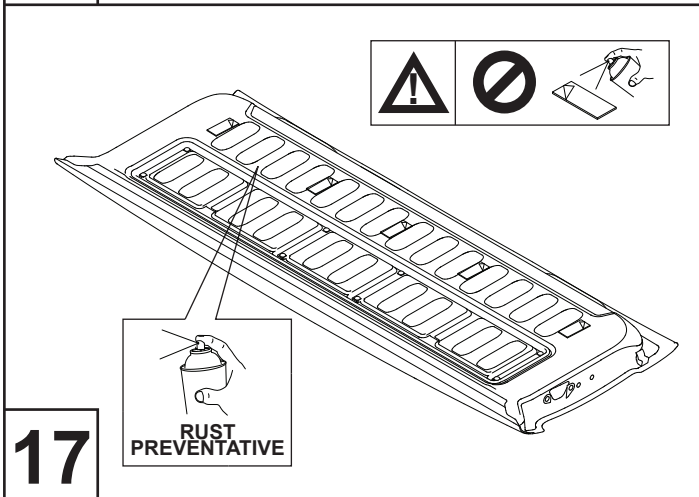
14



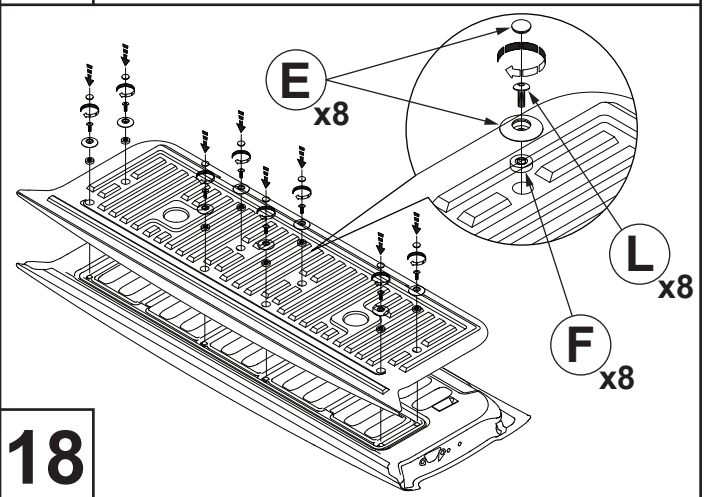
15



16



17



18

Fitting Kit Number	Manufacturer	Model Type	Year	Stockist	Cab Size	Product	Revision	Date	Page
K648	Mitsubishi	Triton L200	2014	Mitsubishi	DC	Bedliner	2	20/8/2015	2 of 3