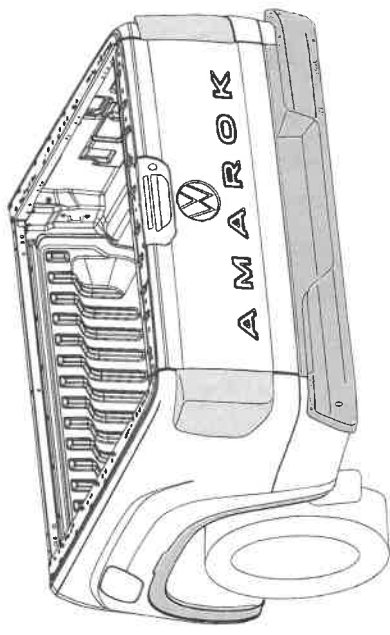
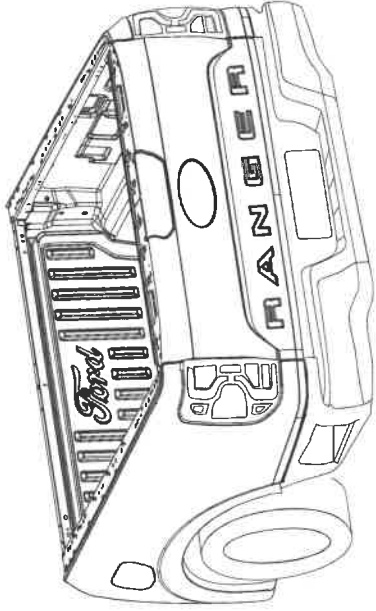
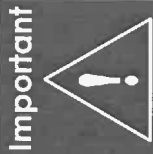


**TUB REINFORCEMENT KIT
(KIT040256)
FORD RANGER / RAPTOR MY22
& VW AMAROK MY23**
Installation Instructions



Installation Time: Approx. 30 mins



- Important**
- Read instructions carefully before installation.
 - It is strongly recommended that installation is conducted by an authorized dealer.
 - This product must be installed exactly as specified in these instructions. Failure to do so may result in improper fit and/or retention/failure of components.

PERSONAL PROTECTIVE EQUIPMENT:



Mask



Rubber Gloves



Goggles



Hearing Protection

Tools Required:

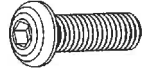
- Rivet Gun
- Torx Bit - T20, T40
- 5mm Allen Key
- Drill & Bit Ø6mm
- Phillips Head screwdriver
- Torque Wrench
- Wrench & 10,13mm Socket

1

Top Reinforcement
Bracket
(CLIP4092PC-RH)
Qty - 1

2

Top Reinforcement
Bracket
(CLIP4092PC-LH)
Qty - 1

3

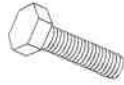
M8x25 Button Hex
Drive Screw
(SCRW0974)
Qty - 6

4

Lower Tub Bracket RH
(CLIP4114PC-RH)
Qty - 1

5

Lower Tub Bracket LH
(CLIP4114PC-LH)
Qty - 1

6

M8x40 Hex Screw
(SCRW0764)
Qty - 4

7

M8 Clutch Nut
(NUTS0250-1)
Qty - 4

8

M8 Washer
(WASH0171-1)
Qty - 8

9

Washer
(WASH0200)
Qty - 4

10

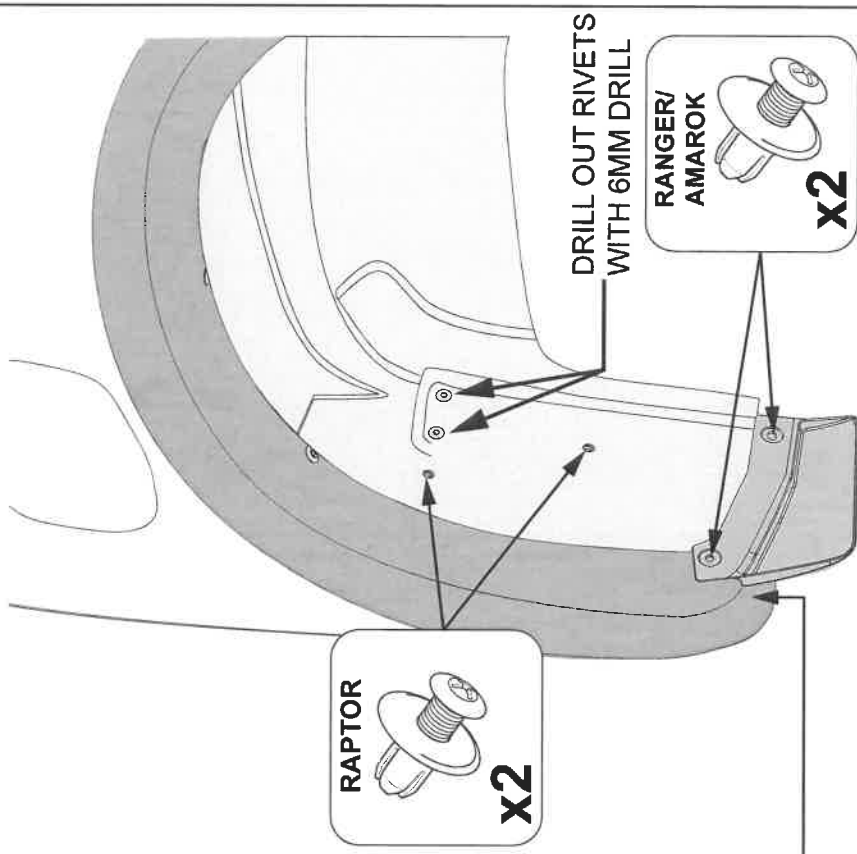
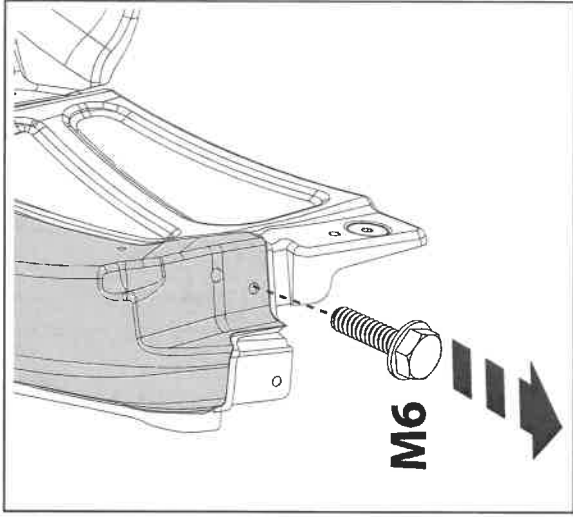
Rivet
(FAST0667)
Qty - 4

11

Panel Clip
Qty - 10

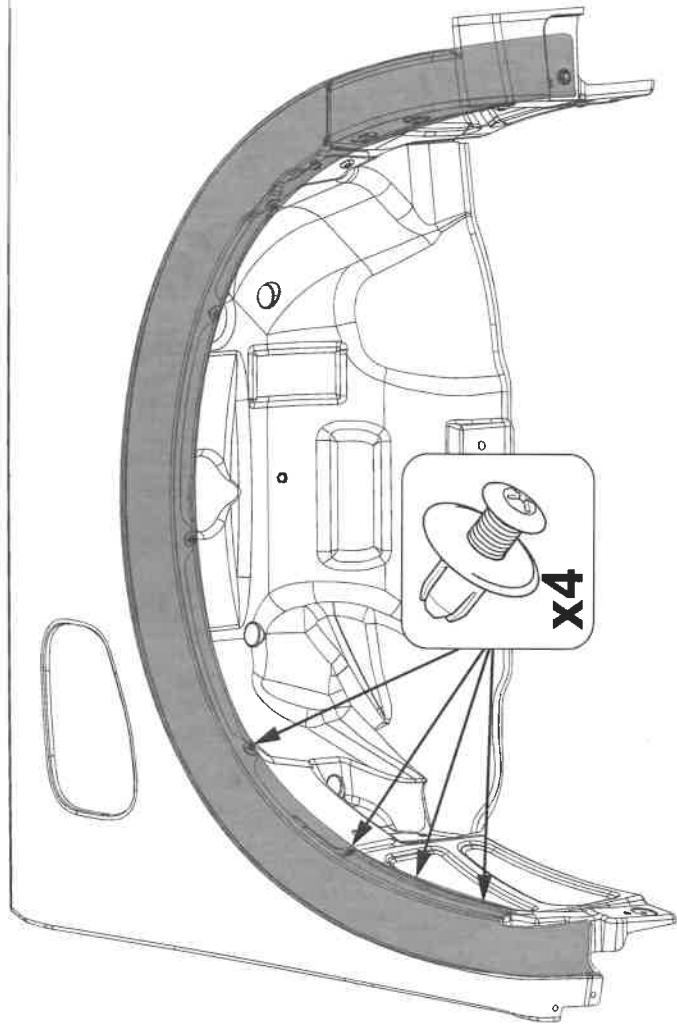
12

Zip Tie
(FAST0254)
Qty - 2

LHS SHOWN, REPEAT ALL STEPS FOR RHS**FRONT****STEP****1**

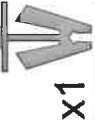
Remove 2x scrivenets and 1x M6 screw as shown. Retain the scrivenets, screw and mud flap for reattachment.
Drill out two rivets with 6mm drill bit in locations shown.

Note: Remove indicated scrivenets for specified vehicle variants.

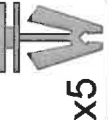
FRONT**STEP****2**

Remove and retain 4x scrivenets holding the front part of the wheel arch liner as shown.

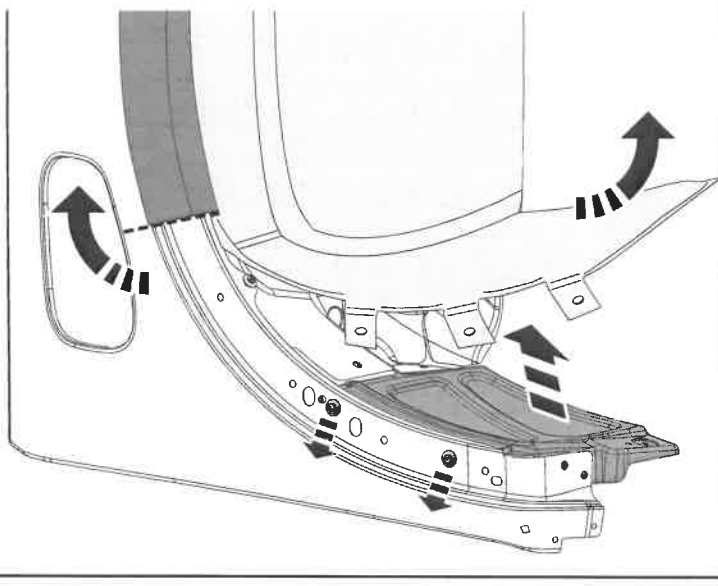
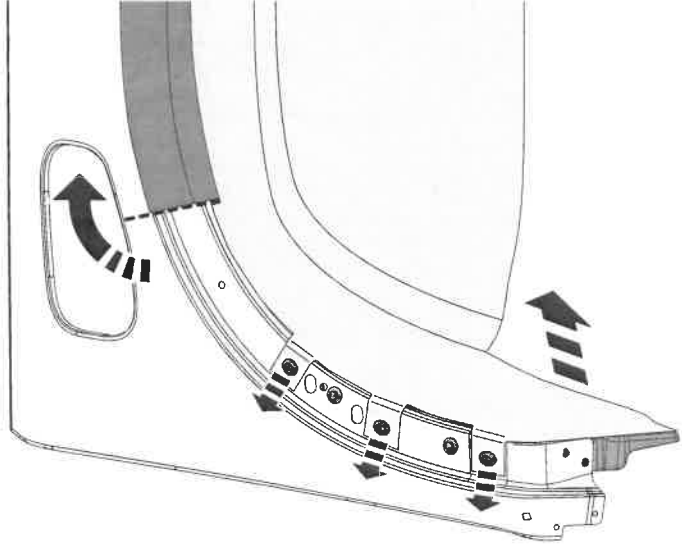
RAPTOR



x1

RANGER/
AMAROK

x5



STEP

3

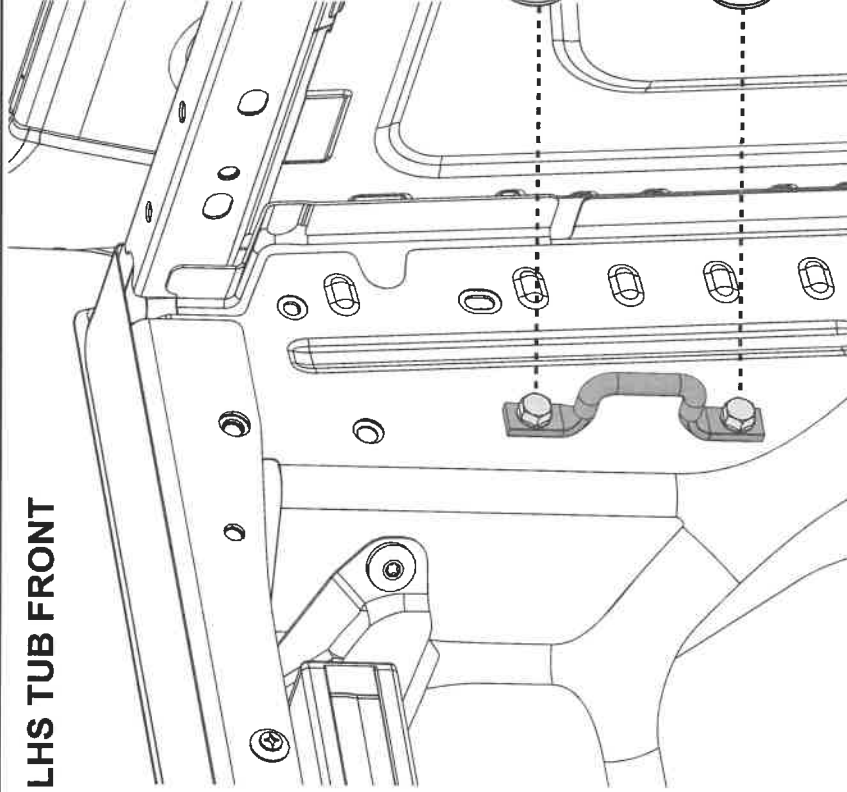
Lift the fender flare from the panel only half way to expose the 3x scrivenets and 2x hex screws as shown.

Remove the scrivenets and pull forward the fabric liner. Remove the 2x hex screws and remove the mud guard.

The fender flare panel clips may get damaged in the process if not careful.

Lift the inner wheel arch splash guard to gain access to the tub cavity.

Note: Information involving fabric liner is Raptor specific. Raptor will require only the first factory panel clip to be removed from the fender panel.

LHS TUB FRONT

STEP

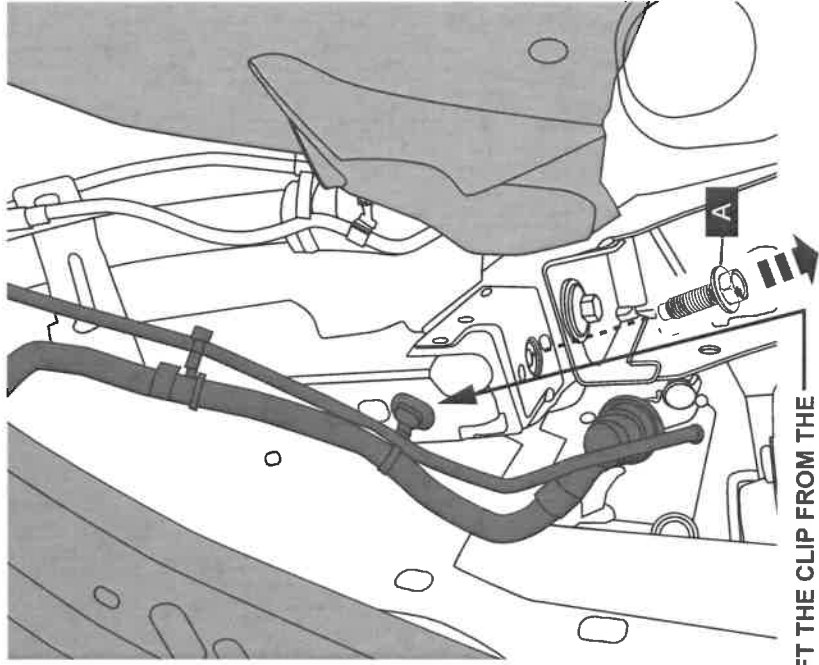
4

Replace 2x screws holding the utility hook with 2x M8 screws (6) and washers (8) as shown.

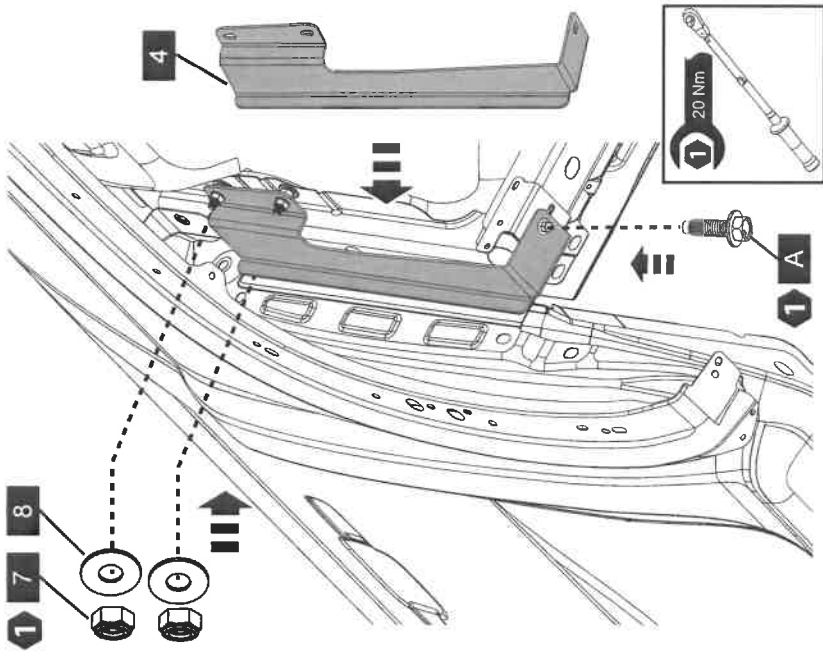
Torque to 20Nm.

LHS SHOWN

FRONT



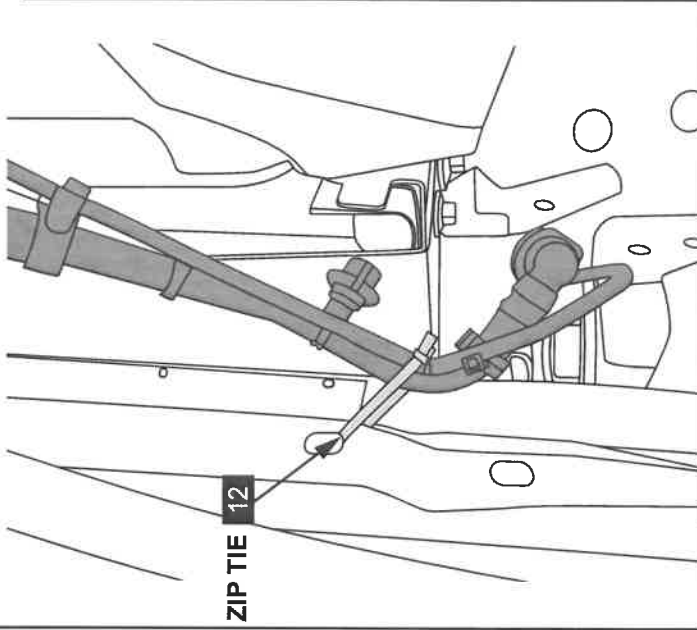
LIFT THE CLIP FROM THE CHASSIS



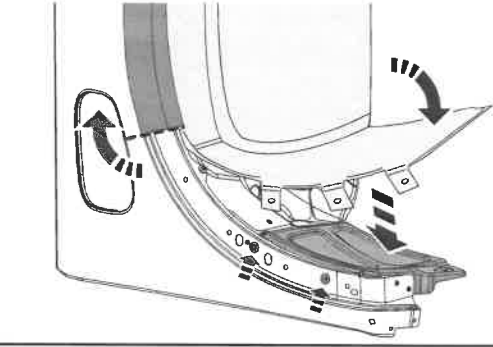
STEP

5

Unclip the fuel breather pipe by lifting up the plastic clip and remove screw (A) as shown above. Push the pipe aside to allow the bracket fitment. Fit the tub bracket (4) inside the tub cavity behind the rear fender. Place the 2x top holes over the 2x M8 screws from the utility hook and secure with 2x nuts (7) and 2x washers (8). Secure the bottom part with the retained M8 screw (A). Torque to 20Nm.



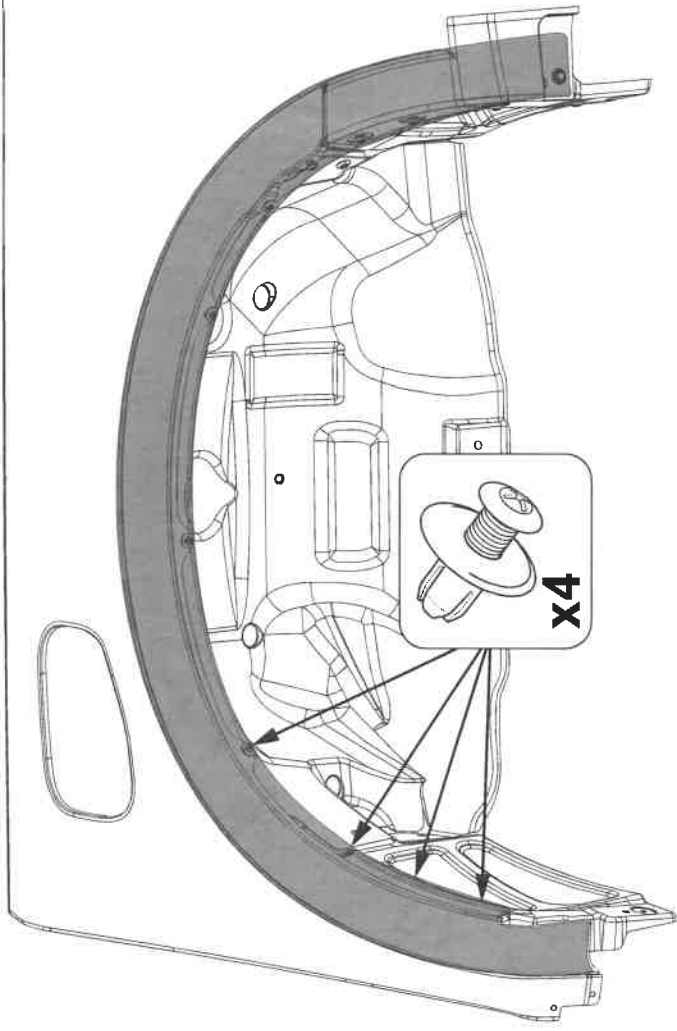
ZIP TIE 12



STEP

6

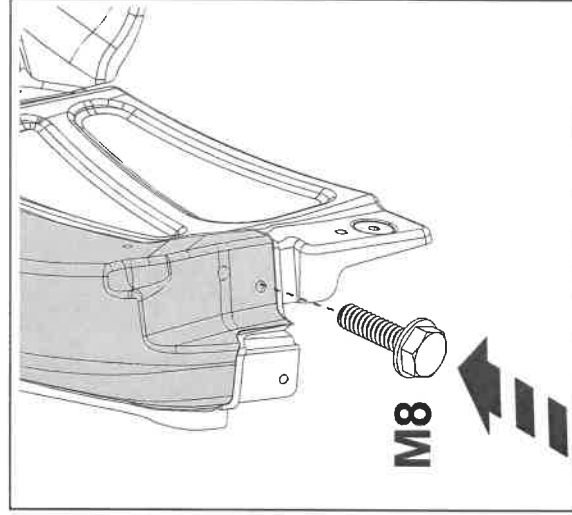
Once the bracket is fixed, secure the fuel breather pipe to the inner fender using 1x zip tie (12) as shown. Refit and secure the mud splash guards in place using 2x hex screws previously removed. Secure the fabric lining with 3x scrivenets previously removed. Secure the guard with 2x rivets (10) and flat washers (9) as shown. **Note: Information involving fabric liner is Raptor specific.**

FRONT

STEP

7

Secure the fender flare with 4x retained scrivenets.

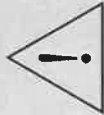
FRONT

RAPTOR

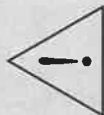
**x2**RANGER/
AMAROK**x2**

STEP

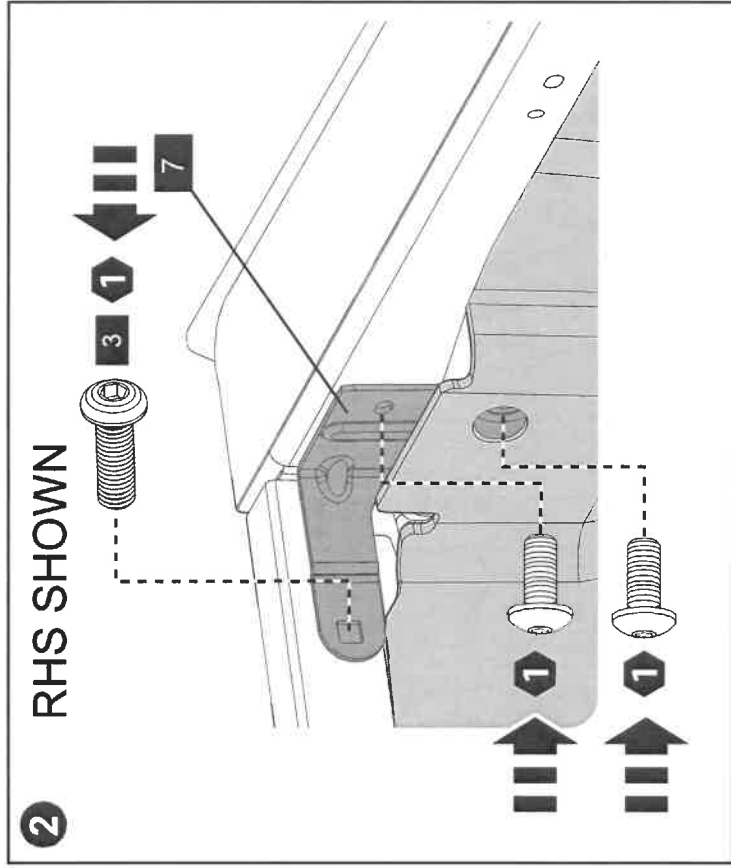
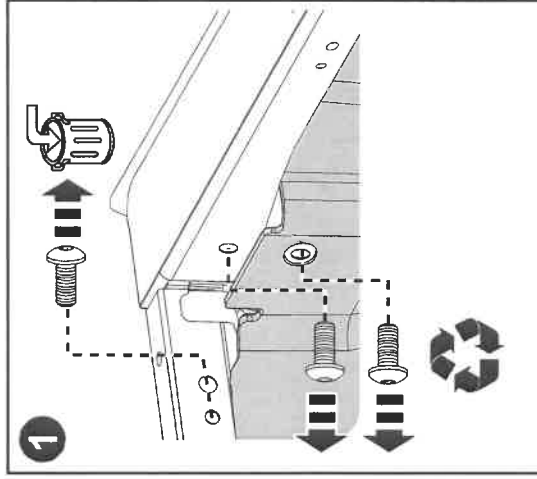
8Raptor: Reinstall 2x scrivenets as shown.
Ranger & Amarok: Reinstall mudflap using 2x scrivenets.
Reinstall the retained M8 screw as shown.



TOP BRACKET NOT TO BE USED WITH SPORTS BAR



Allen Key 5mm



STEP

9

Remove 3x torx screw from tub and retain. Place the Front Reinforcement Bracket (7) underneath the tub liner (if applicable) and secure with 2x torx screws previously removed and screw (3) as shown. Torque to 20Nm. Repeat for LHS.