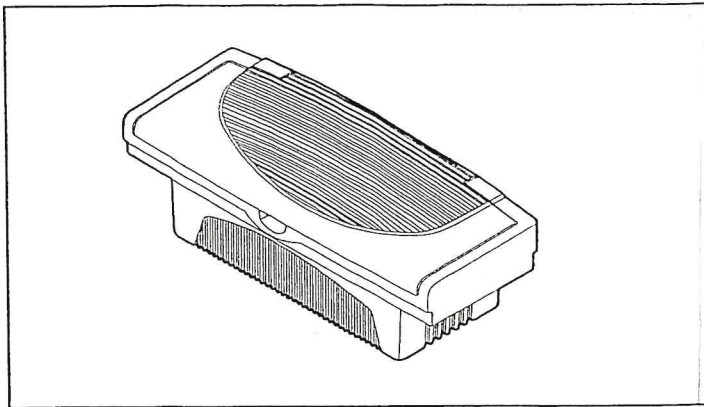


UTILITY BOX INSTALLATION INSTRUCTIONS



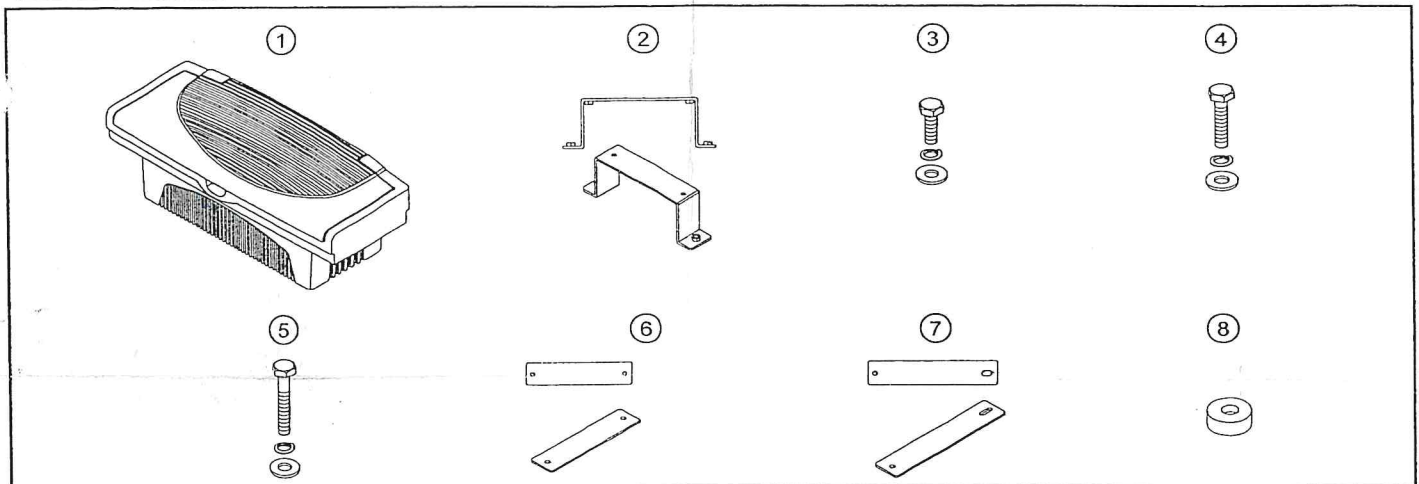
Caution for installation

Read this mounting manual carefully, before your start the installation.

1. Area where to install product should be clean.
2. During installation, person who installed should take off any ornaments.

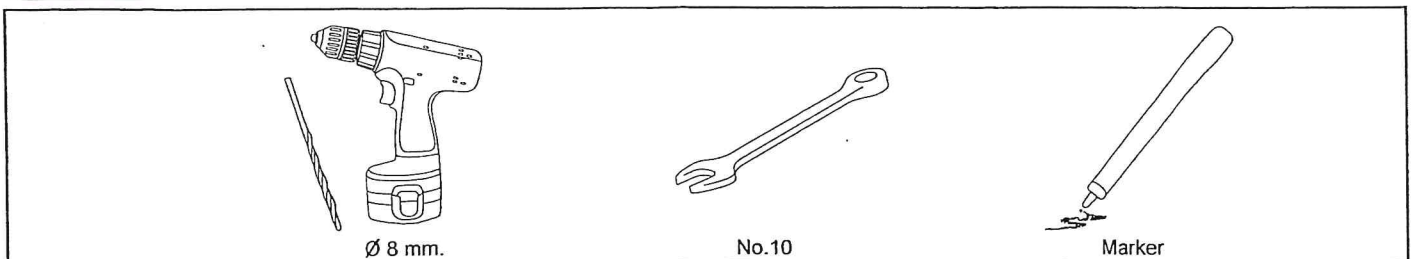
Product name : MAXBOX CONCORDE EXTRA
 Instructions : F41-04CON01
 Inst. number : L01-0013

Component parts



No.	Part Name	Q'ty
1.	Maxbox concorde extra I	1 Set
2.	Plate nut	2 Pcs.
3.	Hex bolt M6x40, Washer, Spring	4 Sets
4.	Hex bolt M6x50, Washer, Spring	2 Sets
5.	Hex bolt M6x60, Washer, Spring	2 Sets
6.	Front plate	2 Pcs.
7.	Back plate	2 Pcs.
8.	Rubber support	6 Pcs.

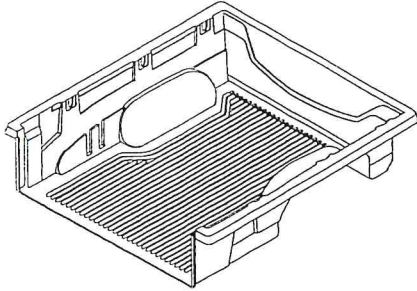
Tools used



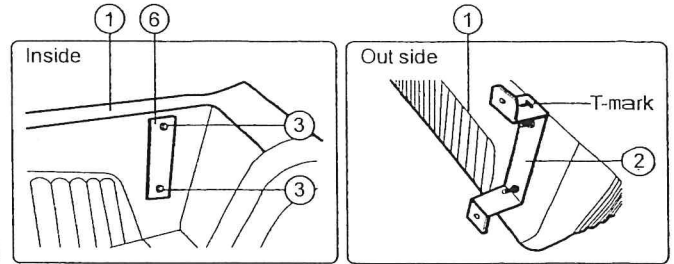
UTILITY BOX INSTALLATION INSTRUCTIONS

Instruction procedure

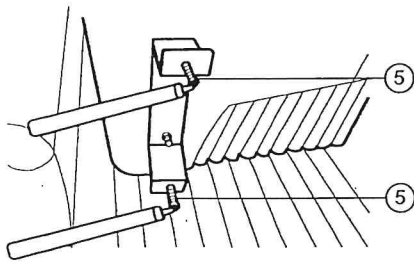
- 1 Remove the bedliner from the truck.



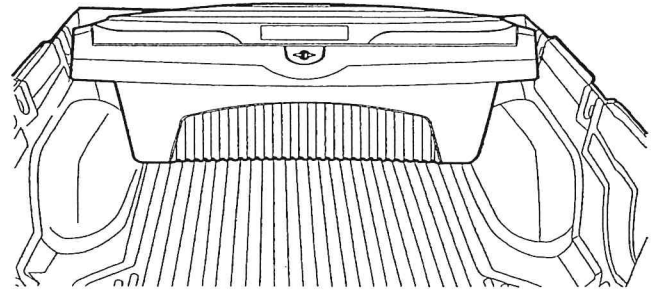
- 2 Install Plate nut and Front plate into Maxbox.
 2.1 Install Front plate from inside Maxbox by using Bolt M6x40
 2.2 Add Plate nut to the Bolt to tighten backside of box.
 (Observe T-mark on the top position.)



- 3 Marking the holes for drilling bedliner.
 3.1 Install Bolt M6x60 into the Plate nut and leave 10-15 mm. tolerance.
 3.2 Use marker paint the end bolt.

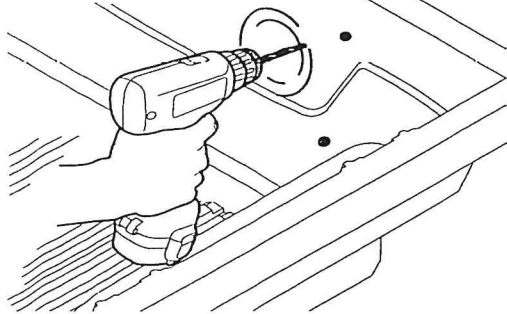


- 4 Push Maxbox to fit with lagainst the bedliner and remove it out.

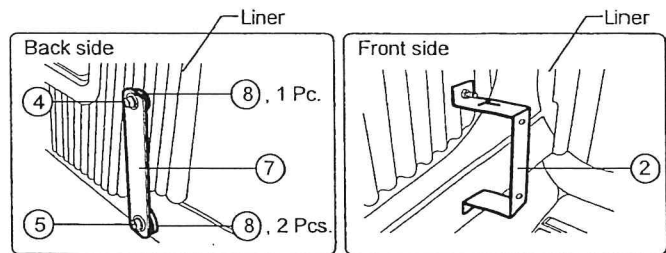


Remark : Box position must be on center of bedliner.

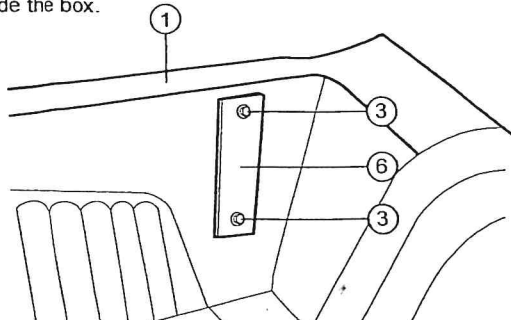
- 5 Remove the Box. Then drill bedliner by bit Ø 8 mm. at the Four color marking positions.



- 6 Install Maxbox on bedliner.
 6.1 Remove Plate nut set out of Maxbox.
 6.2 Assembly the Plate nut and Back plate into bedliner by using Bolt M6x60 use for topside and Bolt M6x40 for downside.



- 7 Place bedliner on truckbed. Put the box attaching with Plate nut. Use Front plate and Bolt M6x40 tighten the box to Plate nut from inside the box.



- 8 To complete.

