
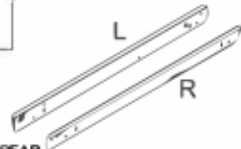
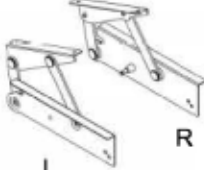









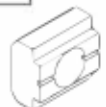



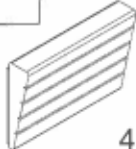


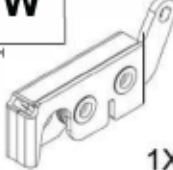
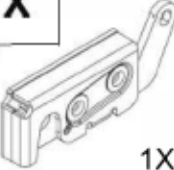






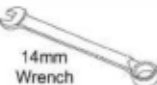








# ROAD RANGER®

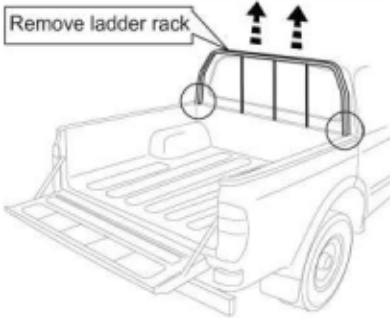
INSTALLATION INSTRUCTIONS K408

ISUZU DMAX 2020+ CREW & SPACE CAB

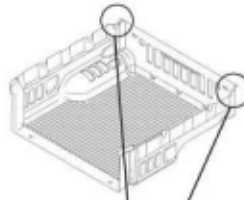
<p><b>A</b></p>  <p>1X</p>	<p><b>B</b></p>  <p>1X</p>	<p><b>C</b></p>  <p>1X</p>	<p><b>D</b></p>  <p>2X</p>		
<p><b>E</b></p>  <p>2X</p>	<p><b>F</b></p>  <p>4X</p>	<p><b>G</b></p>  <p>M8x25mm 4X</p>	<p><b>H</b></p>  <p>M8 x 16 Stainless Steel Washer 6X</p>	<p><b>I</b></p>  <p>2X</p>	<p><b>J</b></p>  <p>M8 Nylock 4X</p>
<p><b>K</b></p>  <p>M8 Stainless Steel Spring Washer 2X</p>	<p><b>L</b></p>  <p>2X</p>	<p><b>M</b></p>  <p>2X</p>			<p><b>P</b></p>  <p>M6x18 16X</p>
<p><b>Q</b></p>  <p>M6x13mm Zinc 12X</p>	<p><b>R</b></p>  <p>M6x10mm 12X</p>	<p><b>T</b></p>  <p>4X</p>		<p><b>U</b></p>  <p>M10x24mm 4X</p>	<p><b>V</b></p>  <p>M8 x 16 Zinc Washer 8X</p>
<p><b>W</b></p>  <p>RH 1X</p>	<p><b>X</b></p>  <p>LH 1X</p>	<p><b>Y</b></p>  <p>M5 Cable Bolt, Washer &amp; Dome Nut 2X</p>	<p><b>Z</b></p>  <p>2X</p>	<p><b>AA</b></p>  <p>2X</p>	
<p><b>AB</b></p>  <p>1X</p>	<p><b>AC</b></p>  <p>2X</p>	<p><b>Note 1:</b> If at any stage of installation you find your sportlid to be an unacceptable fit please contact the manufacturer before continuing.</p> <p><b>Note 2:</b> If required, use Under Rail Bed Liner only. <b>NOT FOR USE WITH OVER RAIL BED LINER!</b></p> <p><b>Tools Required:</b></p>      <p><b>OPTIONAL</b></p>   			
<p>Fitting Kit Number K408</p>		<p>Revision 1</p>	<p>Date 01.07.2016</p>	<p>Page 1 of 7</p>	

1

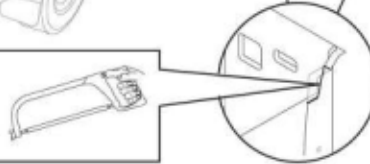
Remove ladder rack



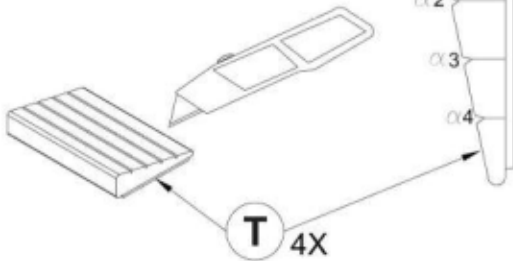
Note 2: If required, use Proform Under Rail Bed Liner only. Not for use with Over Rail Bed Liner.



Follow guide lines to trim liner in front corners.

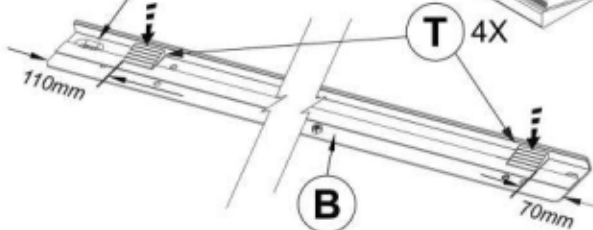
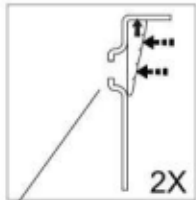


2

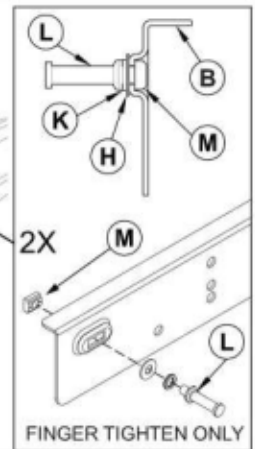
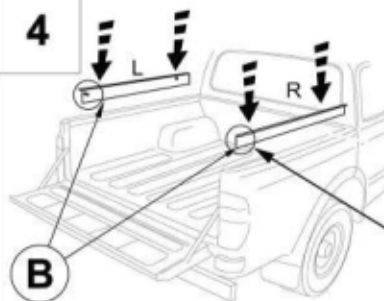


Vehicle Model	$\alpha$
Isuzu D-Max Double & Extra Cab 2012 ATFS, ATFR	N/A - Do Not Fit

3



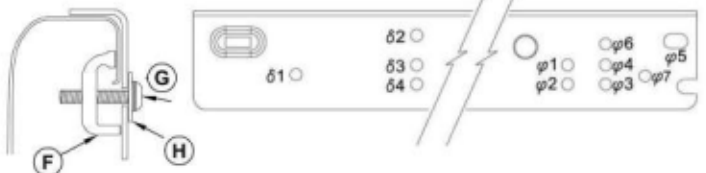
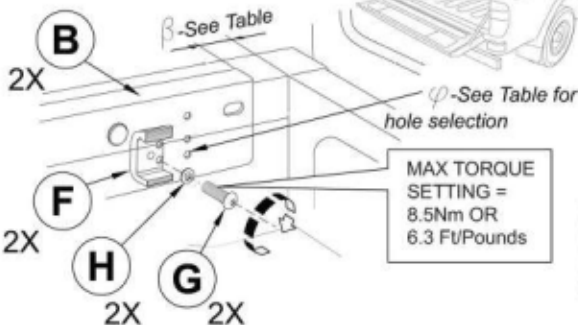
4



5

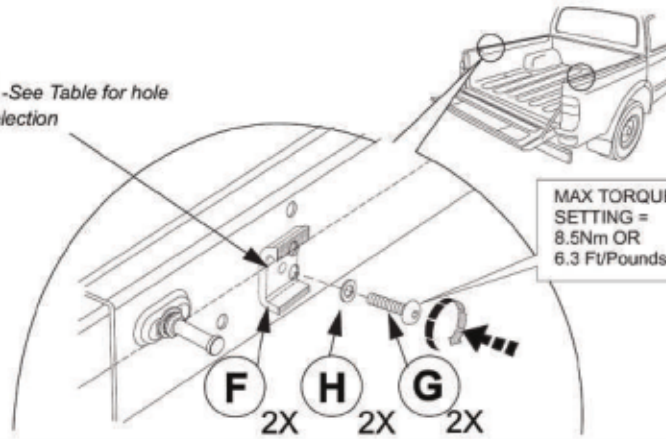
Place front of side mounting brackets back from inside corners of the cargo box - See table for measurement

Vehicle Model	$\beta$	$\delta$	$\varphi$
Isuzu D-Max Double & Extra Cab 2012 ATFS, ATFR	69mm	3	2



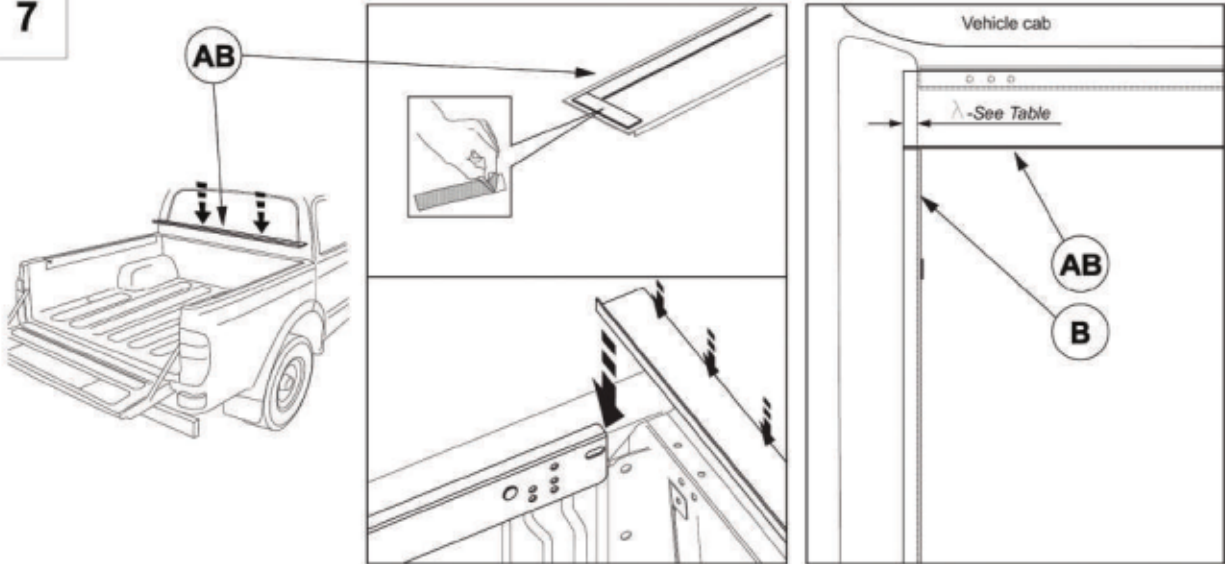
6

$\delta$  -See Table for hole selection




MAX TORQUE SETTING =  
8.5Nm OR  
6.3 Ft/Pounds

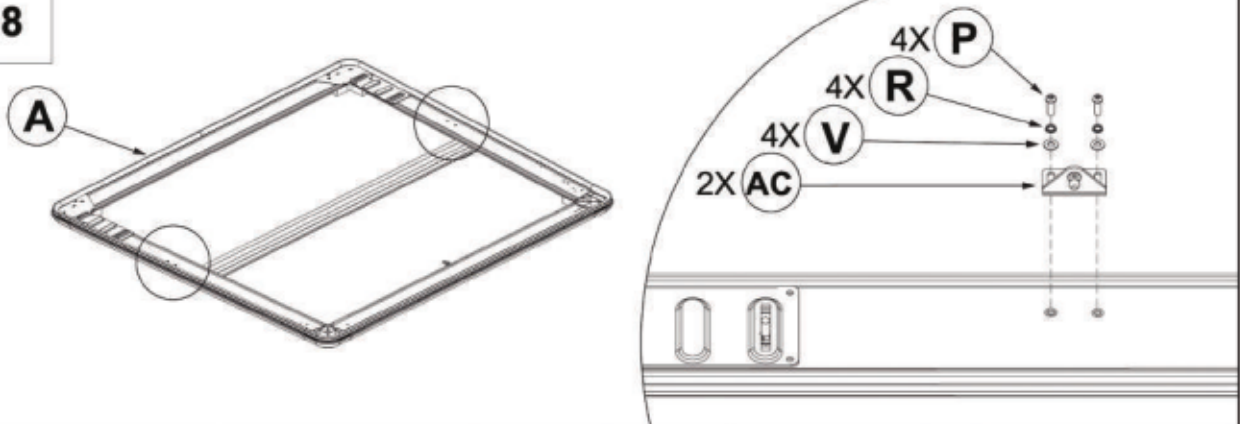
7



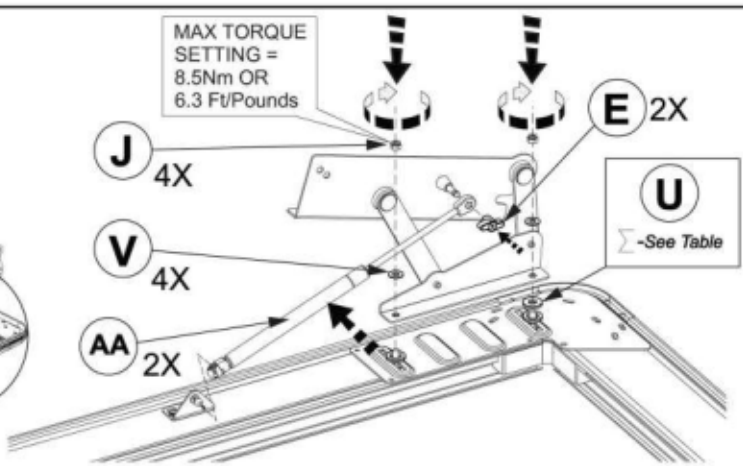
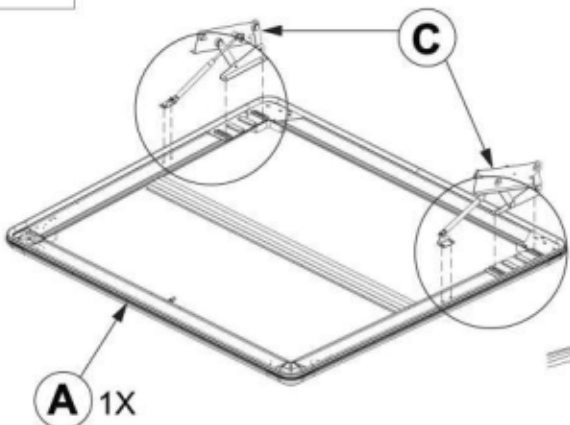
Vehicle Model	$\lambda$
Isuzu D-Max Double & Extra Cab 2012 ATFS, ATFR	28mm

 DO NOT apply below 15°C.  
Apply pressure to part. Adhesive is pressure activated.  
Allow 3hrs minimum to cure before installing lid

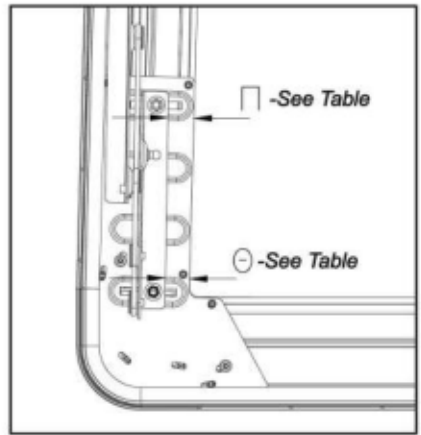
8



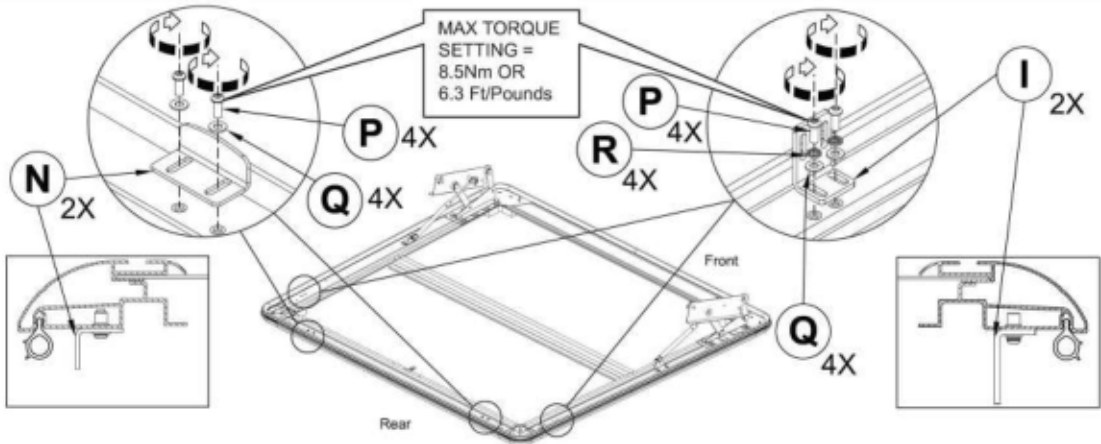
9



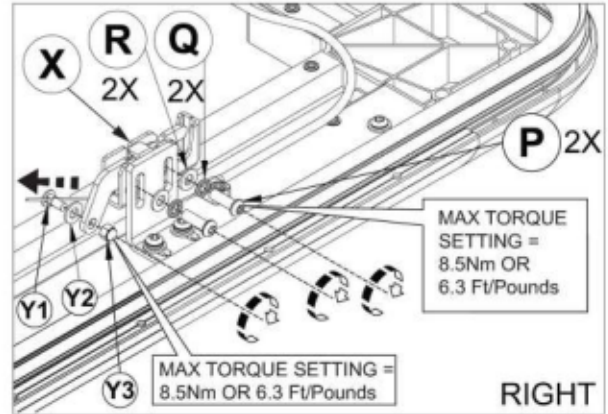
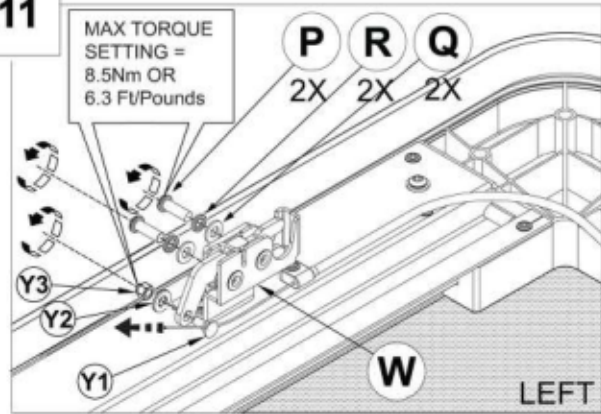
Vehicle Model	□	⊖	Σ
Isuzu D-Max Double & Extra Cab 2012 ATFS, ATFR	26mm	29mm	-



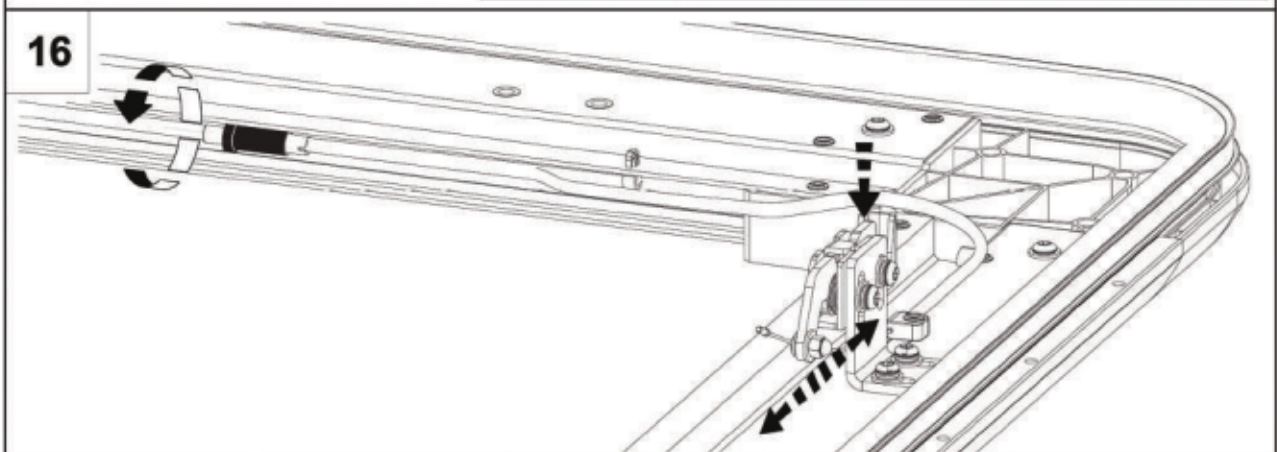
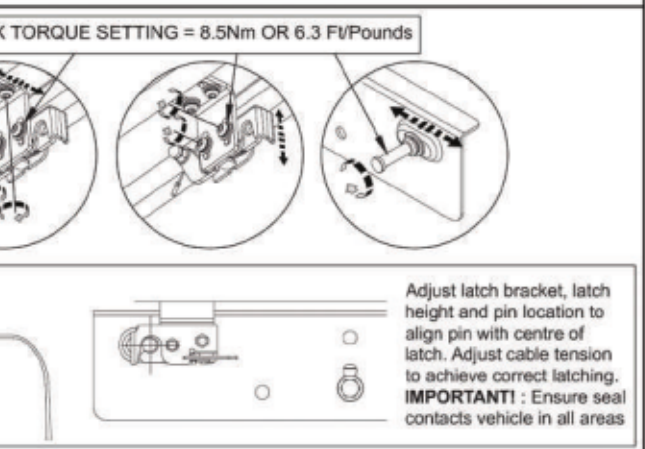
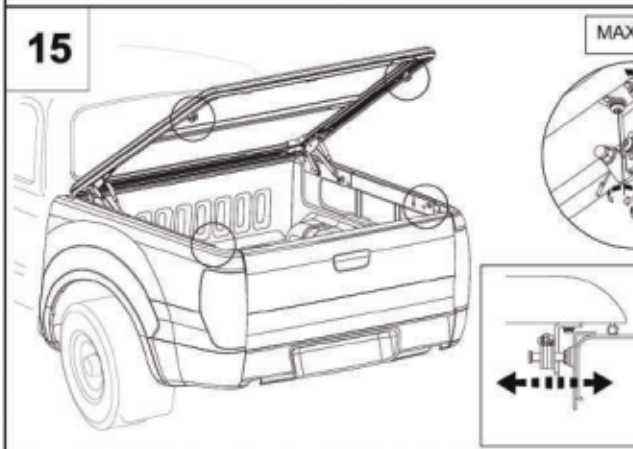
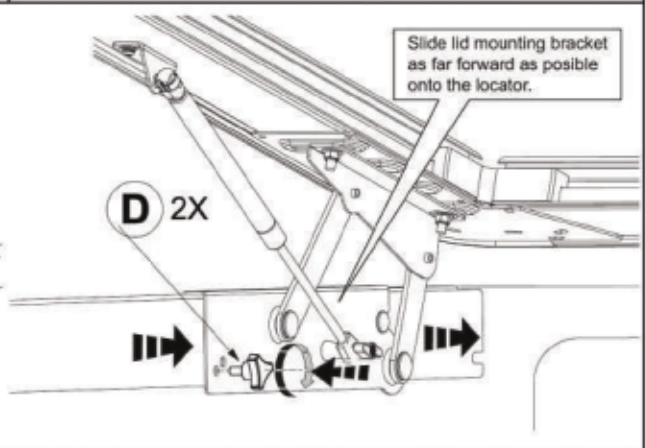
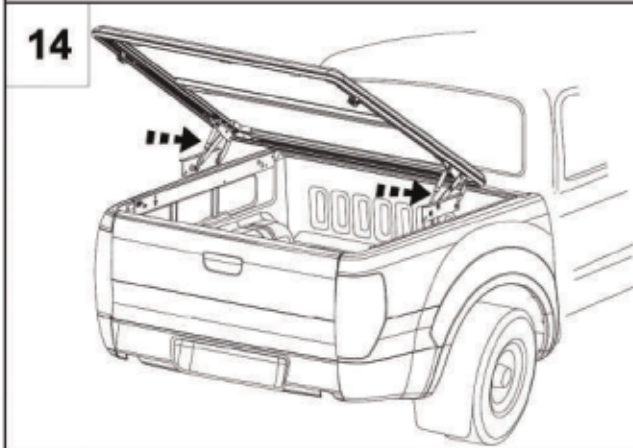
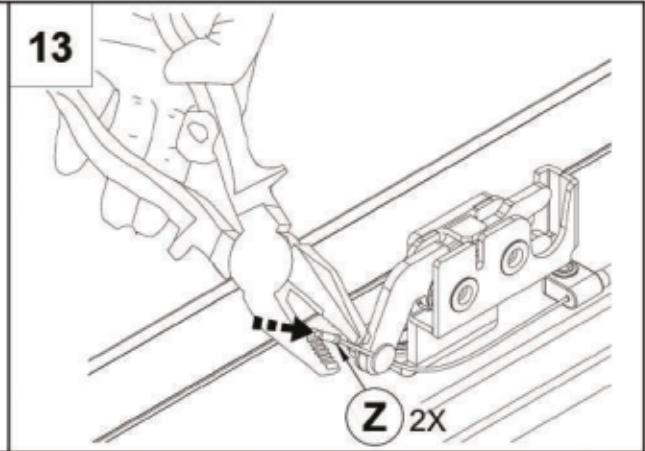
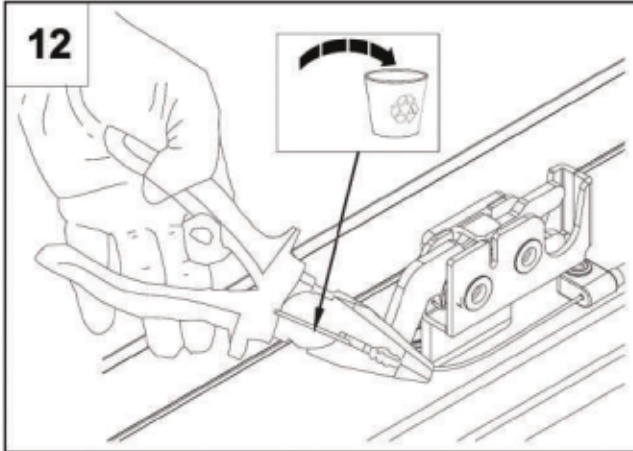
10



11



Fitting Kit Number	Revision	Date	Page
K408	1	01.07.2016	4 of 7

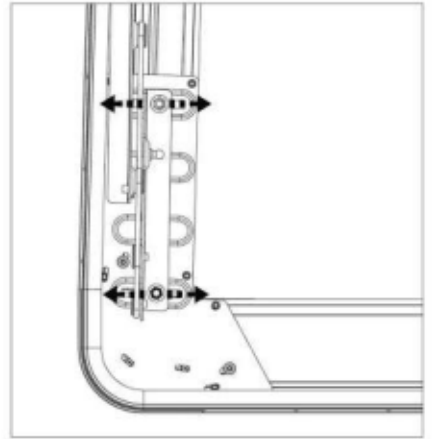
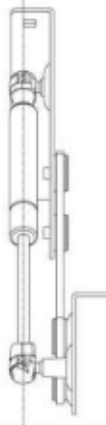


Fitting Kit Number	Revision	Date	Page
K408	1	01.07.2016	5 of 7

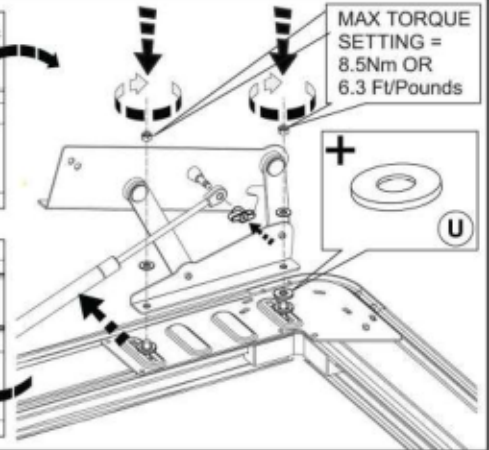
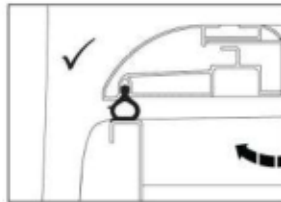
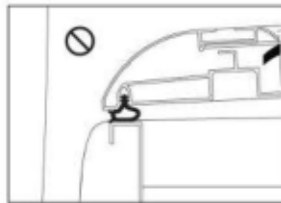
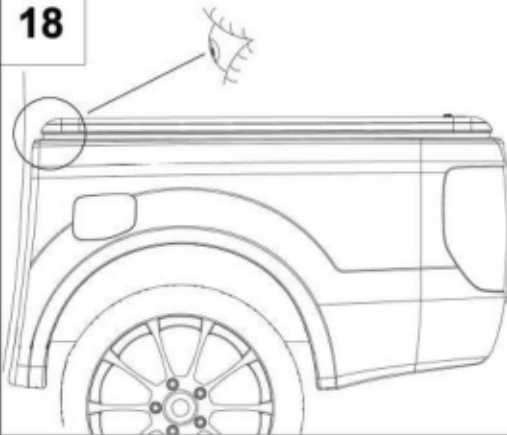
17



Insure hinge is not twisted.  
Adjust connection to lid if nessessary.

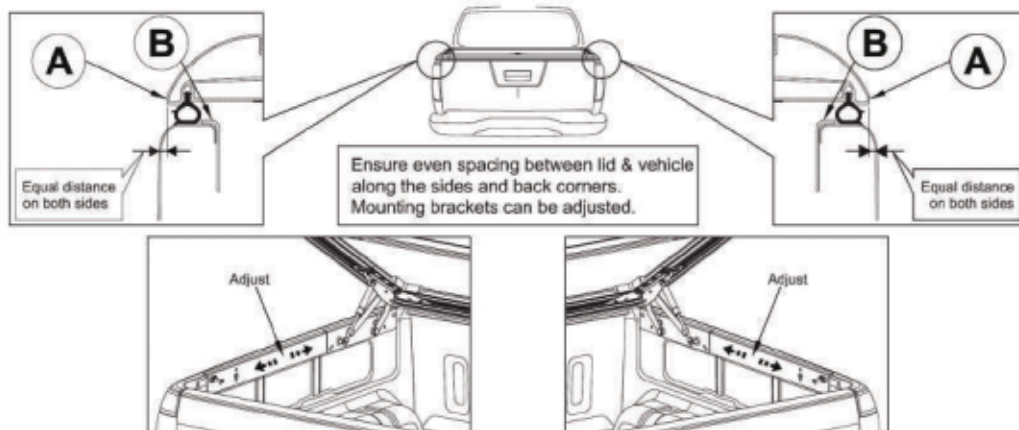


18



Fitting Kit Number	Revision	Date	Page
K408	1	01.07.2016	6 of 7

19



After installation carefully and thoroughly clean all debris from the inside of the cargo box.  
**Retain these instructions for future reference**



# CAUTION!

- NEVER allow people or animals under the closed cover
- Do not place unsealed solvents or chemicals under the cover
- Do not stand or place heavy objects on the cover
- Do not open lid when under load.
- Close the cover before operating the vehicle
- Do not allow oil, solvents or chemicals to contact the cover
- Clean only with a mild detergent and water solution

Fitting Kit Number	Revision	Date	Page
K408	1	01.07.2016	7 of 7

**ISUZU**  
**NISSAN NAVARA**  
**TOYOTA HILUX**  
**VOLKSWAGEN AMAROK**



Item Code

**Codice Articolo** : **RUP/470/IX**

Référence Article

**GB**













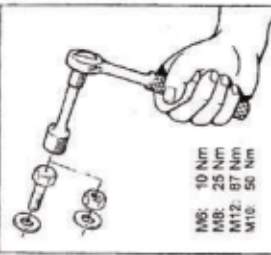
STAINLESS STEEL  
MEDIUM BAR

**FR**

MEDIUM BAR  
EN ACCIER INOX

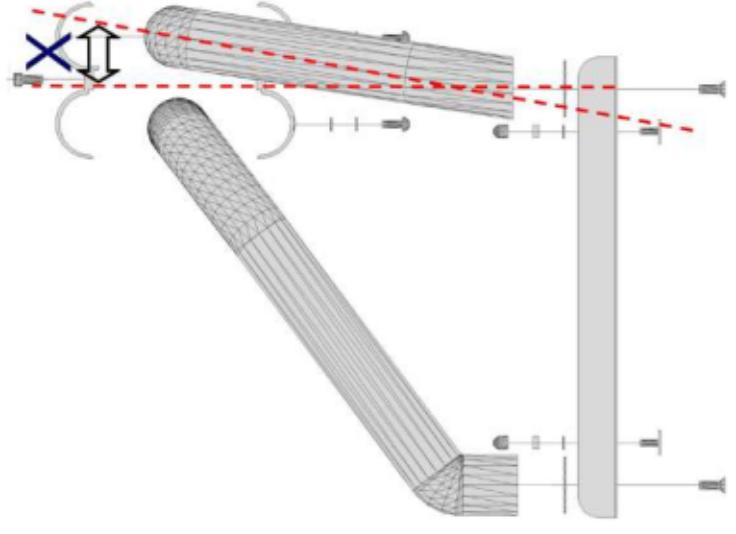
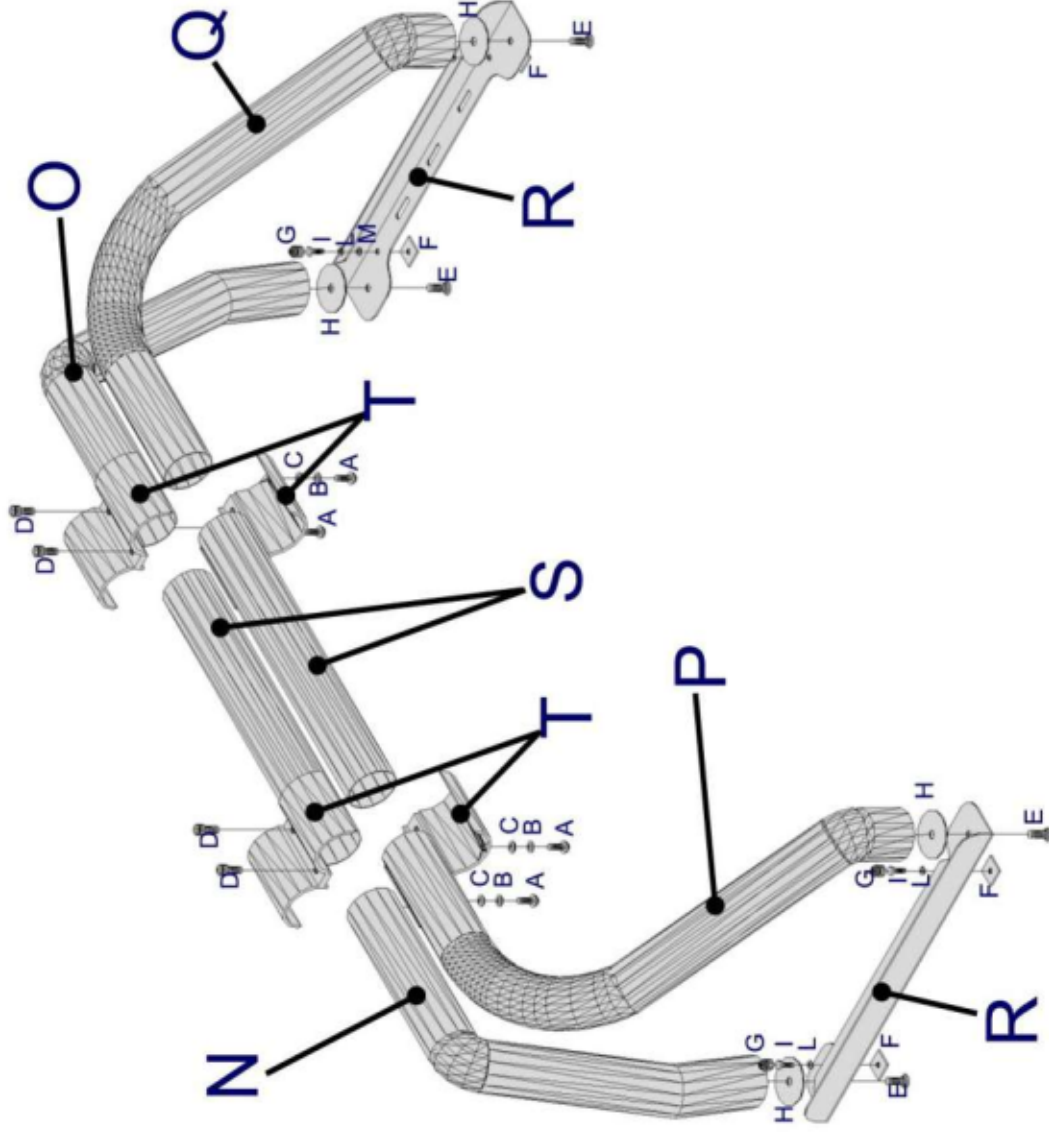


# ISUZU, NISSAN NAVARA, TOYOTA HILUX, VOLKSWAGEN AMAROK

Part List					
Liste des pièces					
<b>A</b>	 TBCEI 8X25 x 4	 Ø 8 x 4	 C Ø 8 x 4	 D TCEI 10X25 x 4	 E TSPEI M10X25 x 4
<b>F</b>	 M6 x 4	 G Cappelletti M 6 x 4	 H VIPLA Ø 80 x 4	 I TE 6X15 x 4	 L BIG Ø 6 GRAND x 4
<b>M</b>	 Ø 6 x 4	<b>N AS7/SX</b> x1	<b>O AS7/DX</b> x1	<b>P PS7/SX</b> x1	<b>Q PS7/DX</b> x1
<b>R</b>	 RLS/7TR x2	<b>S RLB/06</b> x2	<b>T RLB Ø76</b> x2		

M6: 10 Nm  
 M8: 25 Nm  
 M12: 87 Nm  
 M10: 50 Nm

# ISUZU, NISSAN NAVARA, TOYOTA HILUX, VOLKSWAGEN AMAROK

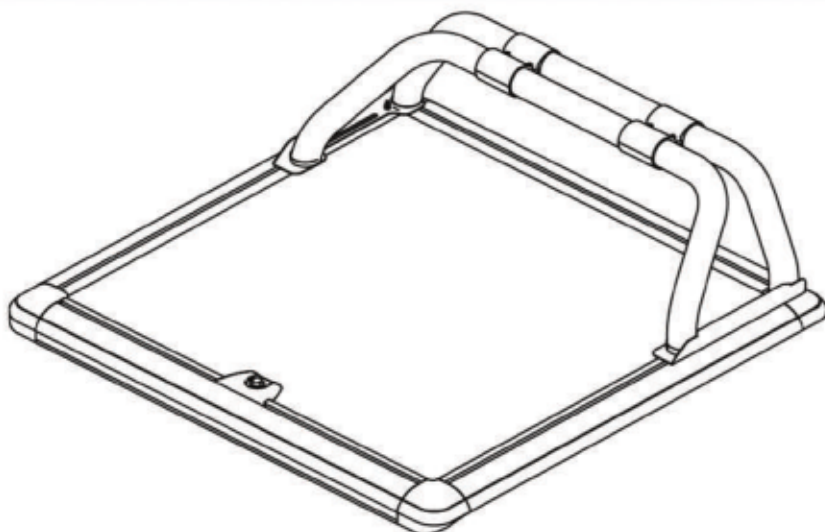


**WARNING:** fit the N and O front bends as shown in the drawing

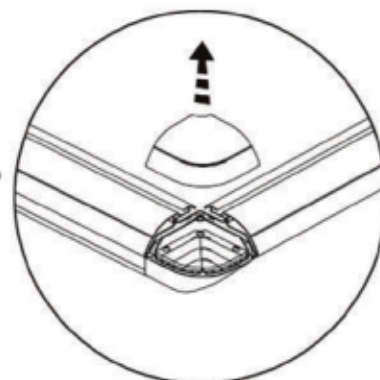
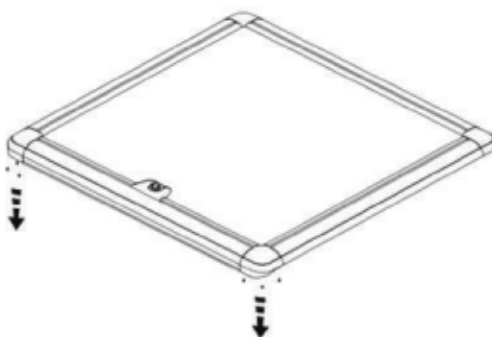
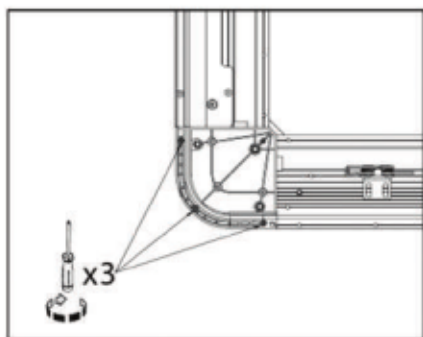
**ATTENTION:** monter les curves anterieures N et O comme indique dans le dessin.

# INSTALLATION INSTRUCTIONS WITH ROLL BAR

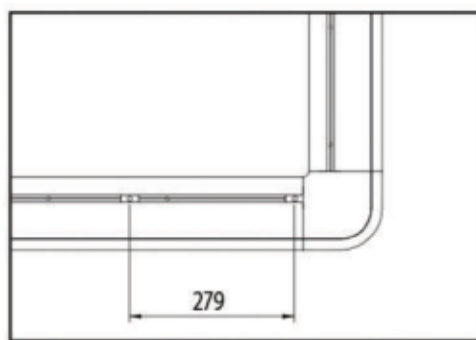
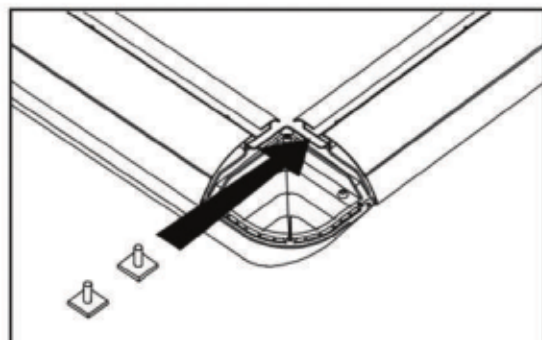
**RLB76**



**1** Remove caps by unscrewing the 3 screws in the back corner both left and right.



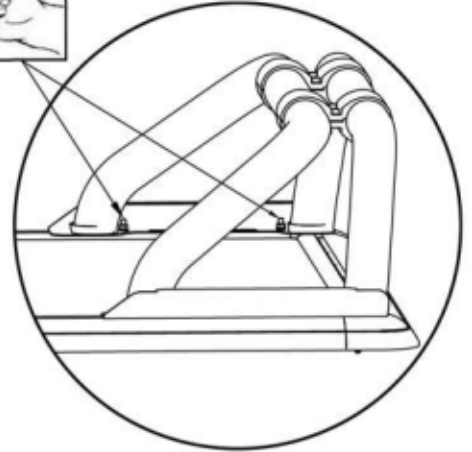
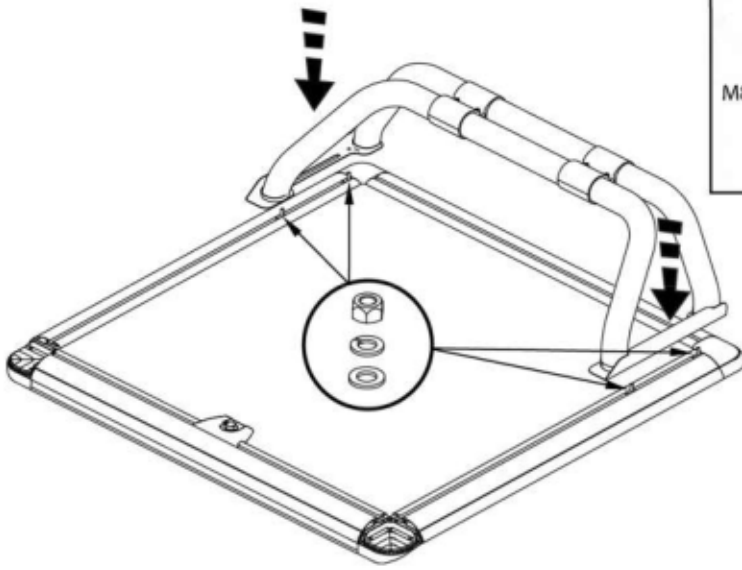
**2** Insert 2 x Square bolts in both the left and right rails.



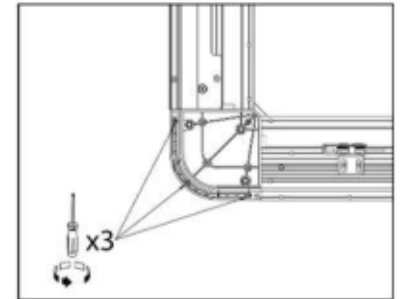
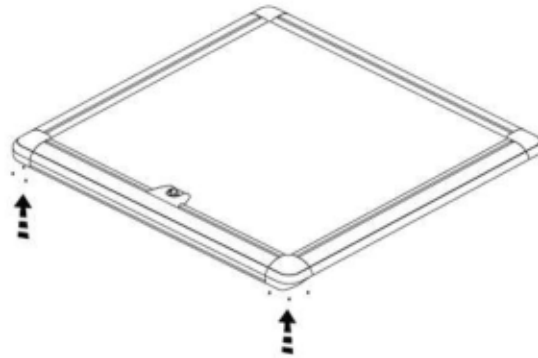
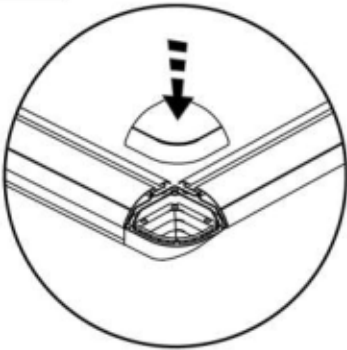
Fitting Kit Number	Revision	Date	Page
RLB76F	1	29.09.2017	1 of 2

**3**

Place the sport bar onto the cover aligning the holes on the foot plate with the square bolts inserts.  
Fix with nut, spring washer and washer.

**4**

Replace the caps on the covers corners



Fitting Kit Number		Revision	Date	Page
RLB76F		1	29.09.2017	2 of 2

# ROAD RANGER®