

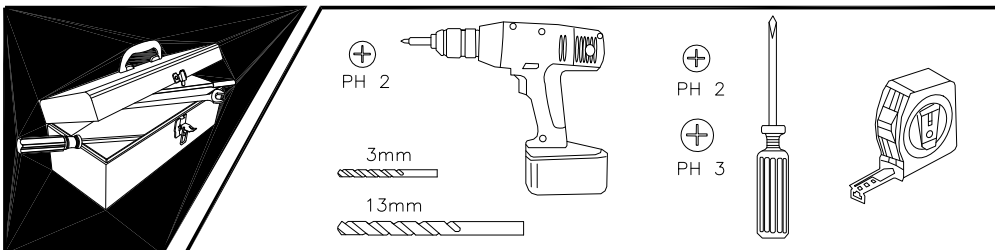
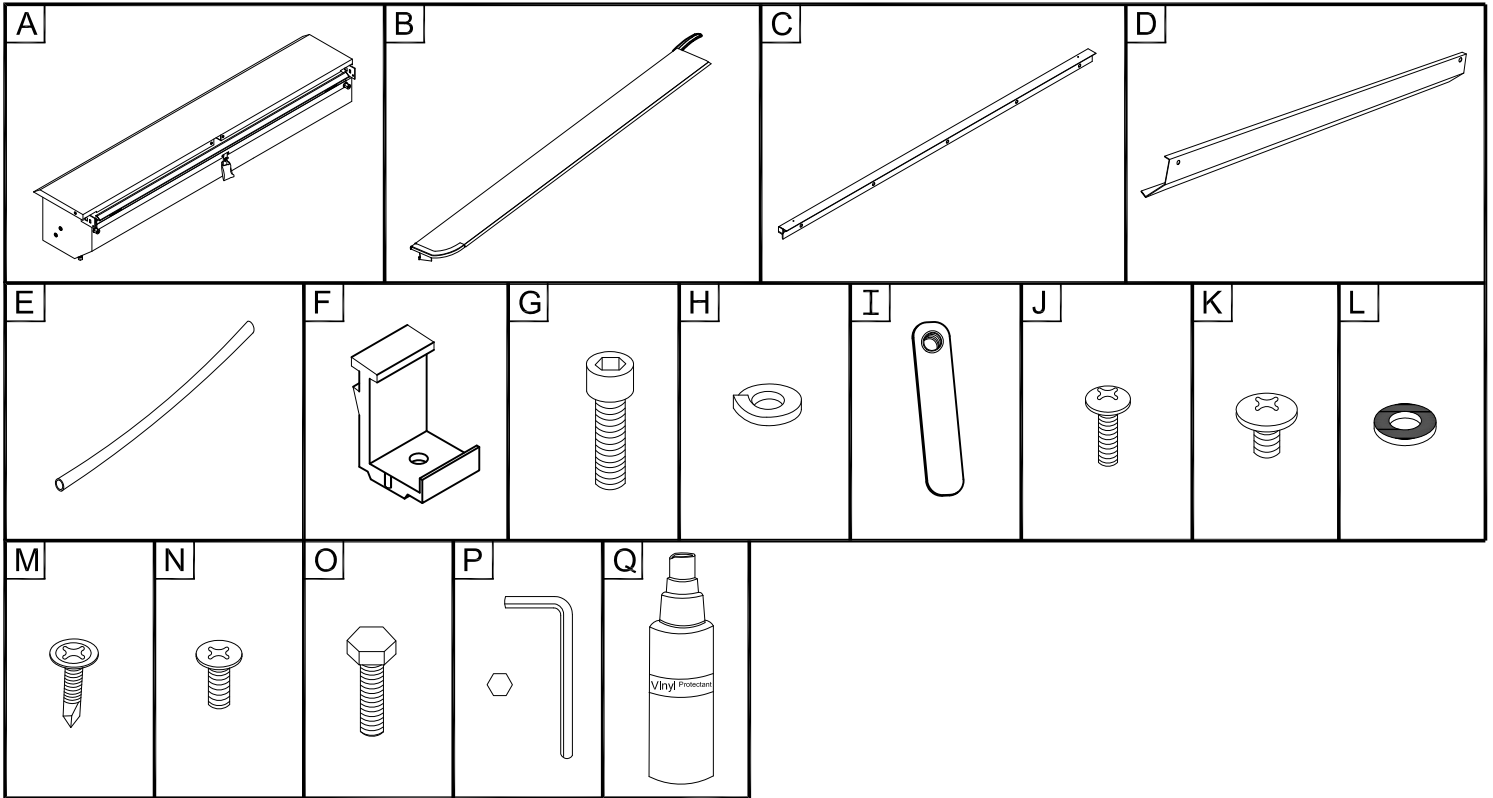
2012 ISUZU D-MAX DOUBLE CAB

PRODUCT CODE: LG247M

GB	ROLL-N-LOCK Tonneau Cover	NO	ROLL-N-LOCK Tonneau Cover
BG	ROLL и LOCK Tonneau Cover	PL	ROLKI N-LOCK Tonneau Cover
HR	Roll i LOCK pokrovom	PT	ROLO E FECHADURA COBERTURA DE TONNEAU
CZ	ROLL a LOCK kryt zavazadlového prostoru	RO	ROLL și de a bloca Tonneau Cover
DK	ROLL-N-LOCK Tonneau Cover	RU	РУЛОН И ПОКРЫТИЕ TONNEAU ЗАМКА
NL	BROODJE-N-SLOT de Dekking van Tonneau	SK	ROLL A LOCK kryt batožinového priestoru
FI	RO-N-LOCK Tonneau kanssi	SI	ROLL IN LOCK Tonneau Cover
FR	ROULEAU ET LOCK Tonneau Cover	ES	RUEDE y la CERRADURA Tonneau Cubieta
DE	ROLLEN sie und SCHLOB Tonneau Kappe	SE	ROLL-N-LOCK Tonneau Täcker
GR	Κάλυψη Tonneau ρόλος-κλειδαριών	TR	RULO-N-LOCK Tonneau Kapak
HU	ROLL és LOCK platófedél	UA	ROLL i замок кришки Tonneau
IS	Rúlla og Læsa Tonneau Kápa	AR	كفول لمشش امك tonneau نيب خان لا
IT	ROTOLO e SERRATURA Tonneau Coperta	IL	לור-N-לענ- לש רעש דומעע Tonneau

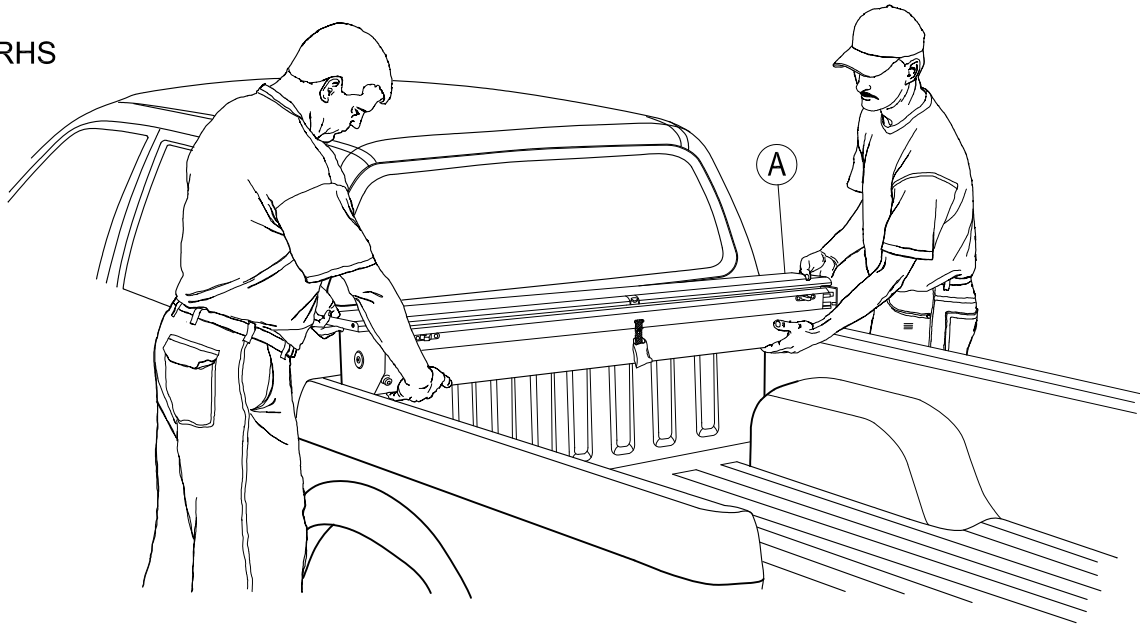
PARTS LIST

Item	Part Name	Qty.	Item	Part Name	Qty.	Item	Part Name	Qty.
A	Housing	1	G	5/16" Socket Cap Screw	6	M	#8 Tek Screw	5
B	Track	2	H	5/16" Lock Washer	6	N	Flat Head Lid Screw	2
C	Tailgate Extrusion	1	I	Cargo Nut	2	O	1/4-20 x 1" Bolt	2
D	Cargo Shield	1	J	#10-24 Screw	2	P	Allen Wrench	1
E	Drain Tube	2	K	1/4-20 x 3/8" Screw	4	Q	Vinyl Protectant	1
F	(U) Bed Clamp	6	L	Black Rubber Washer	4			



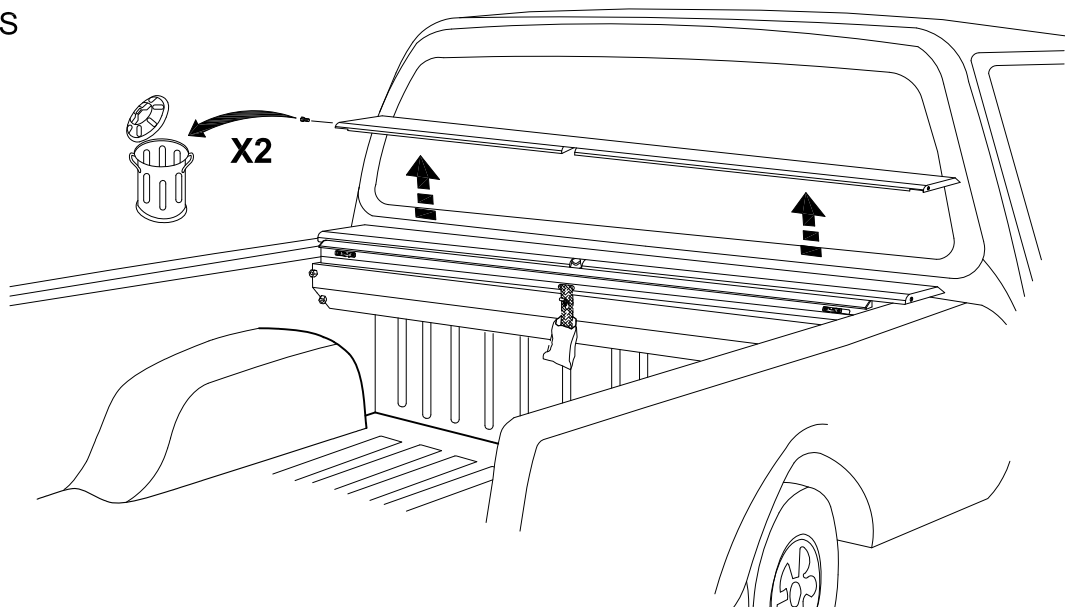
1

LHS = RHS

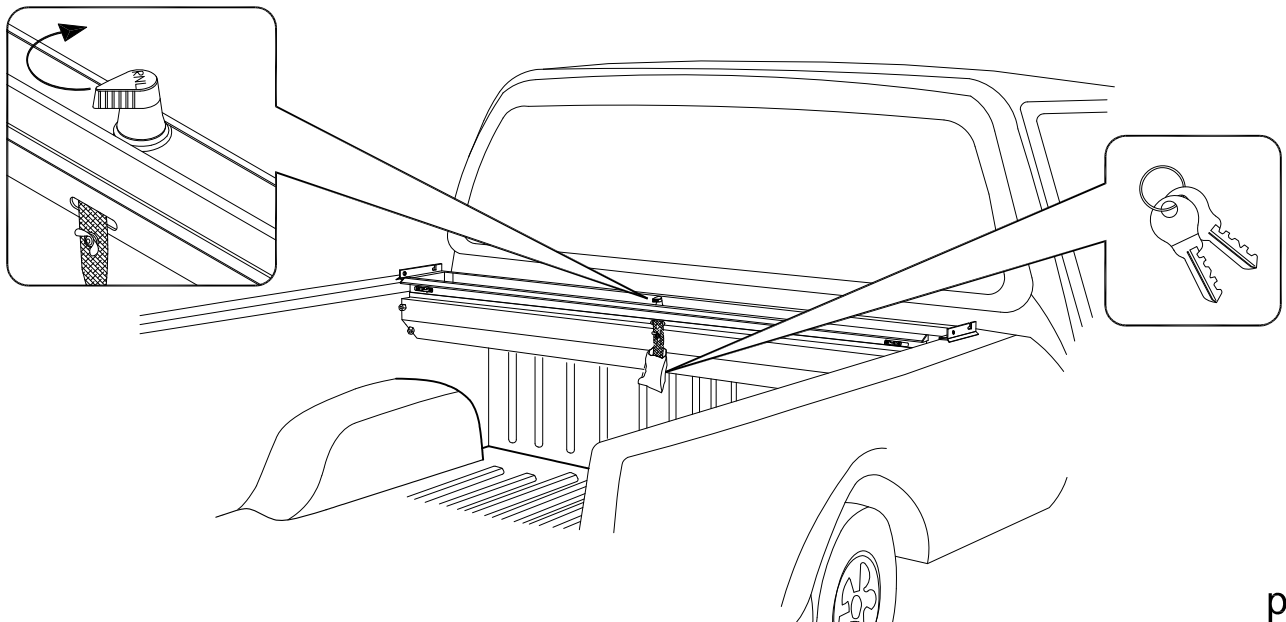


2

LHS = RHS

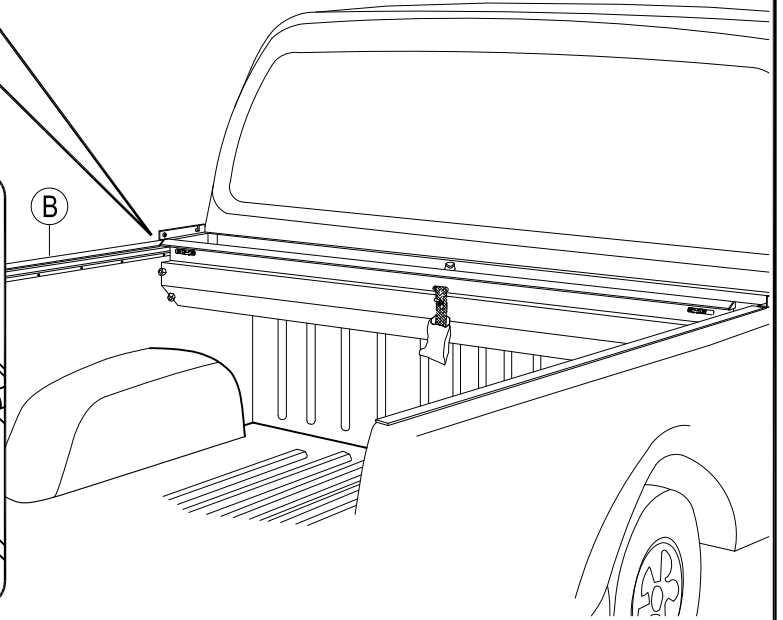
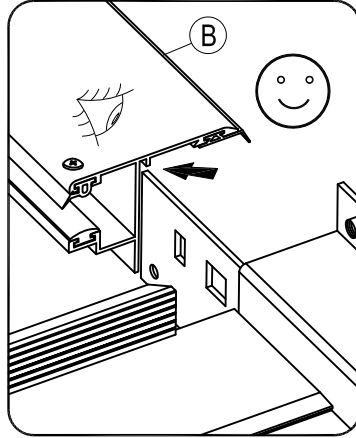
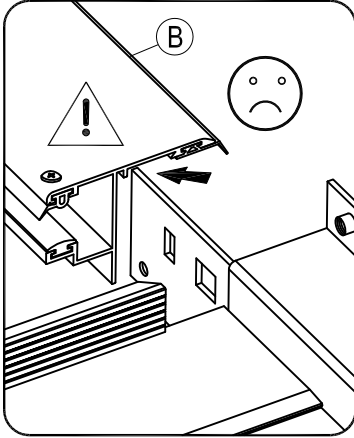
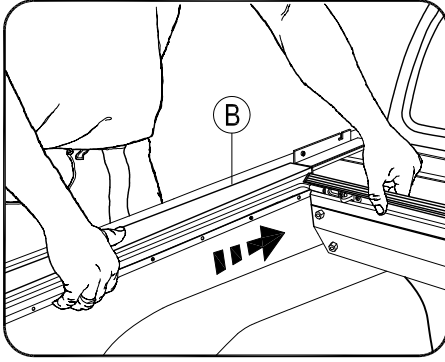


3



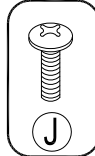
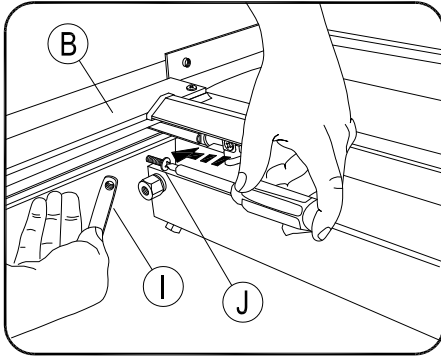
4

LHS = RHS

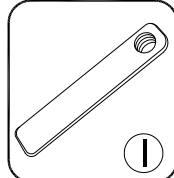


5

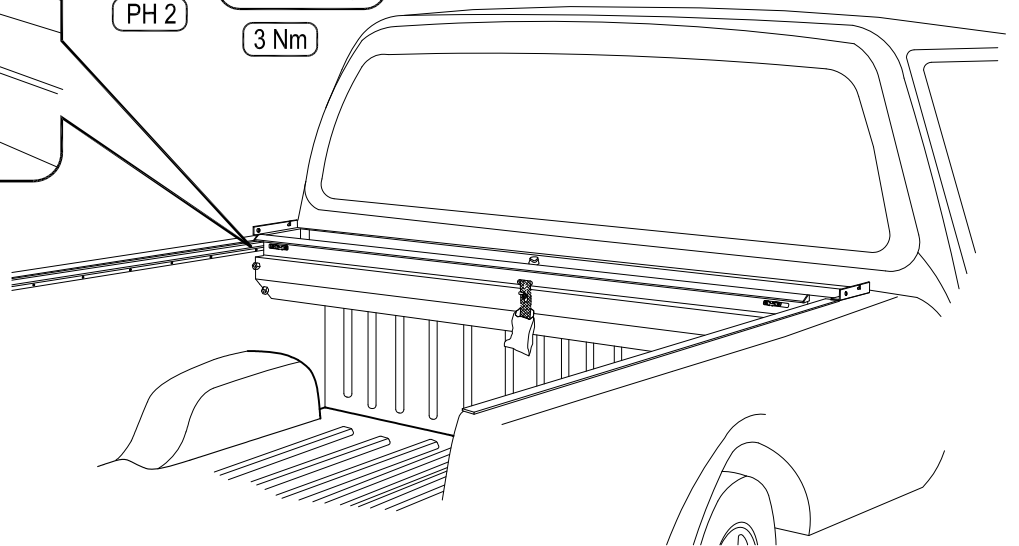
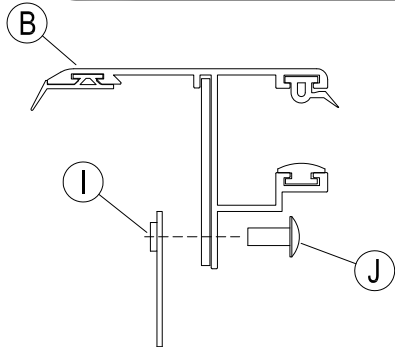
LHS = RHS

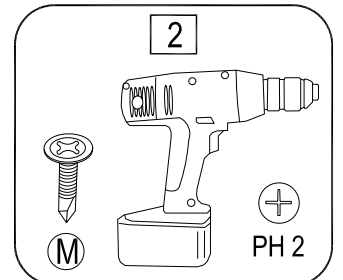
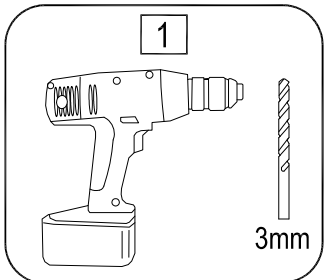
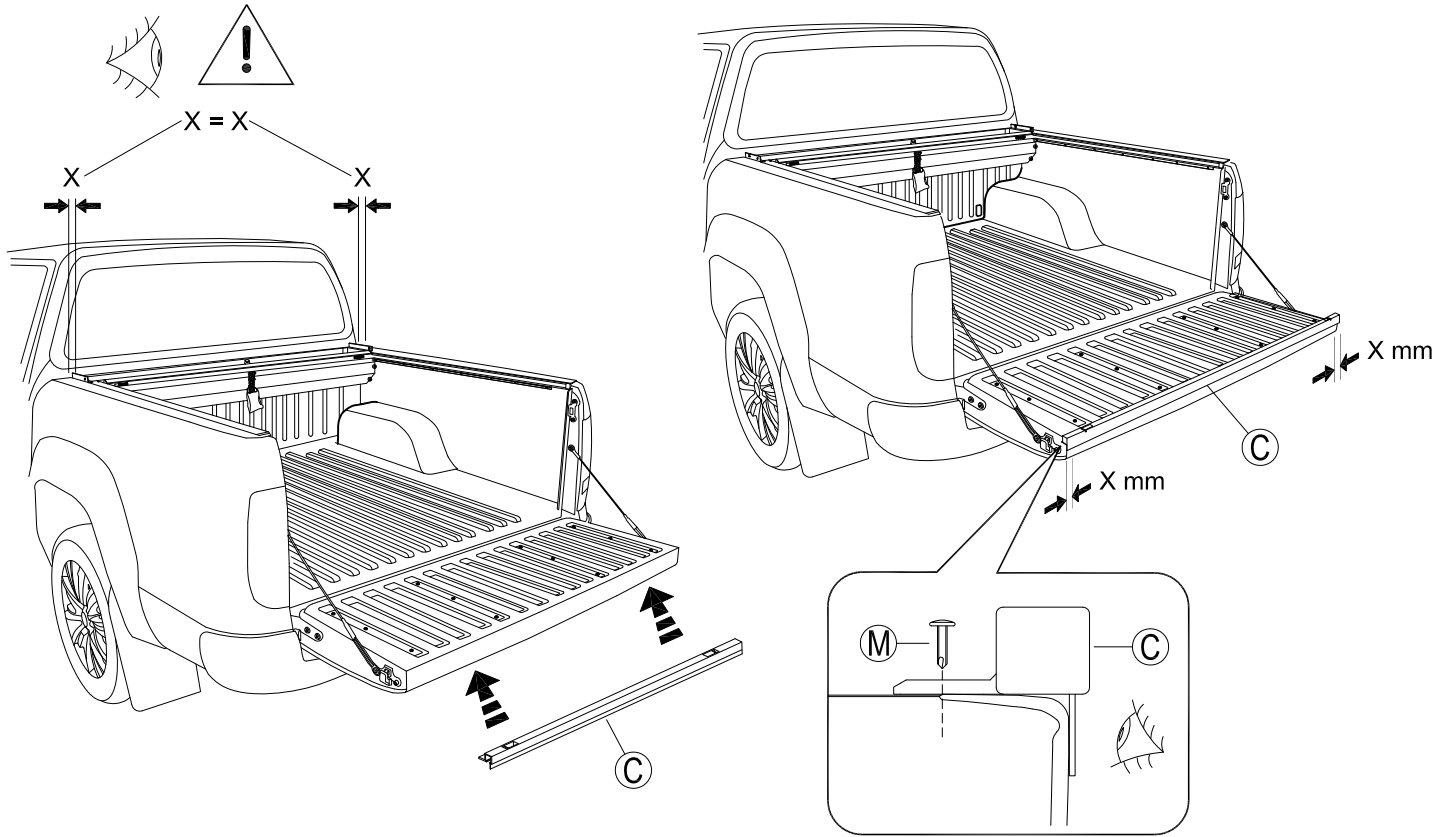


PH 2

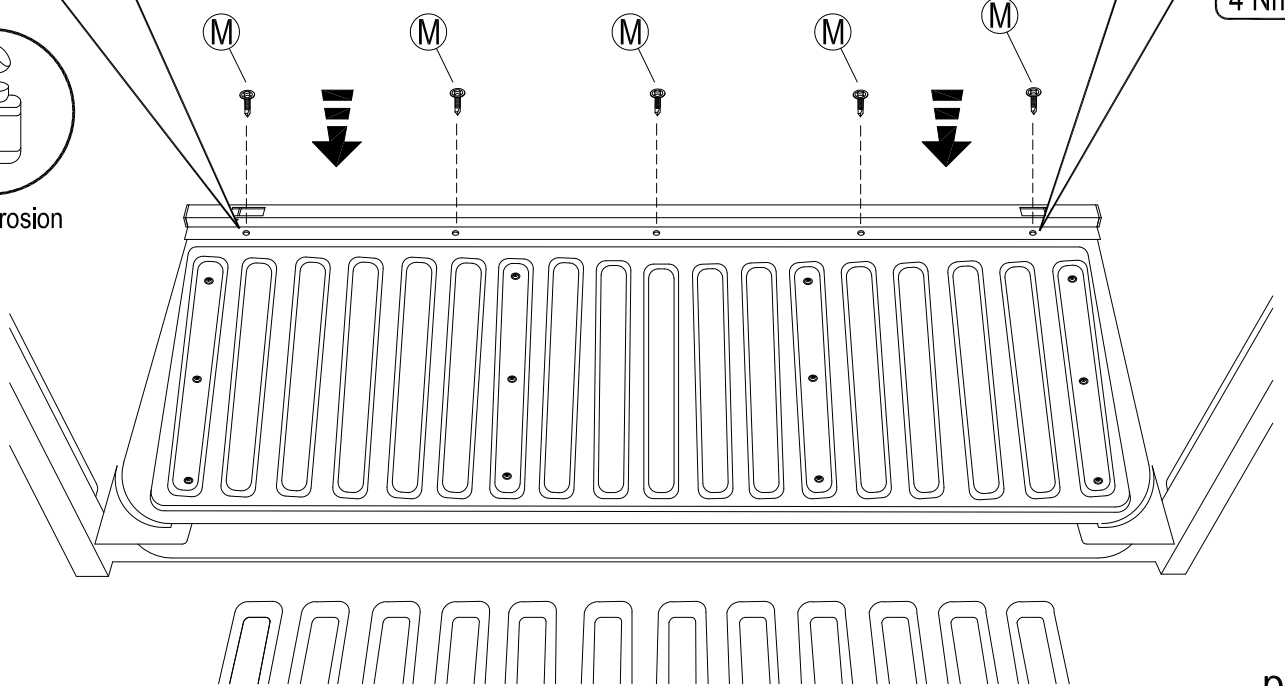


3 Nm



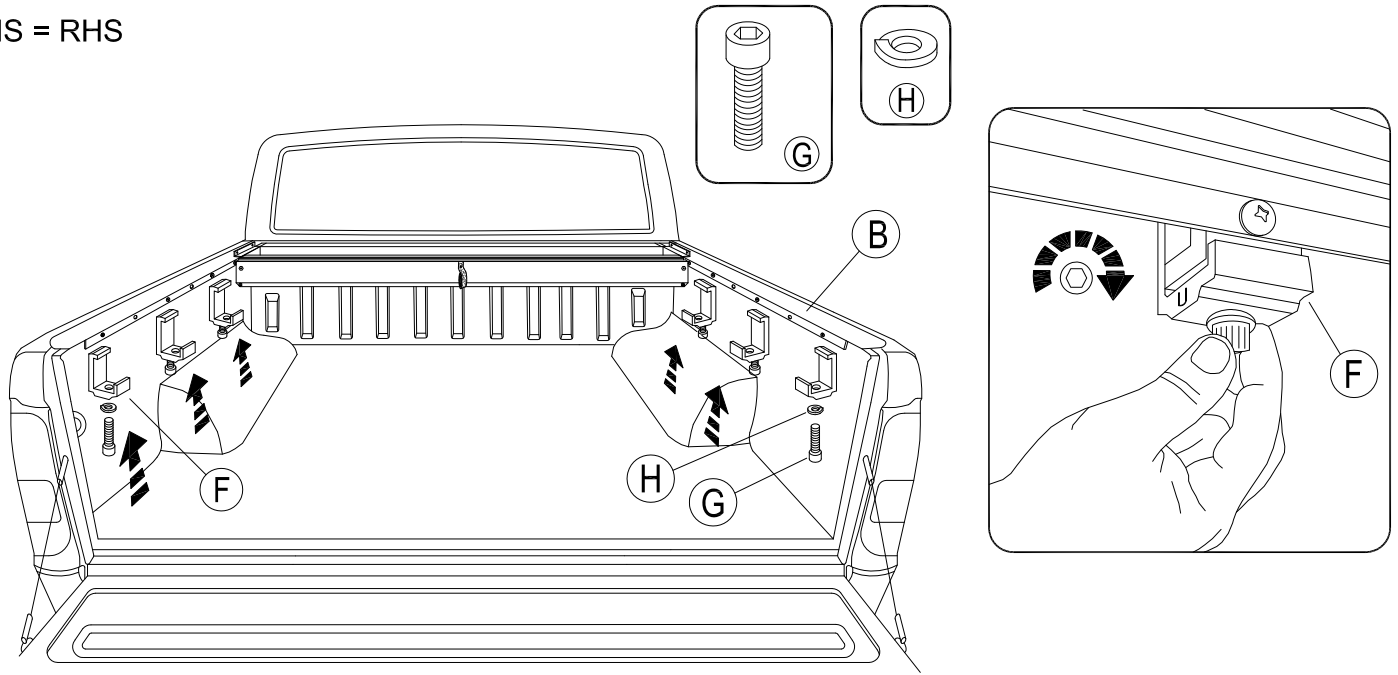


4 Nm



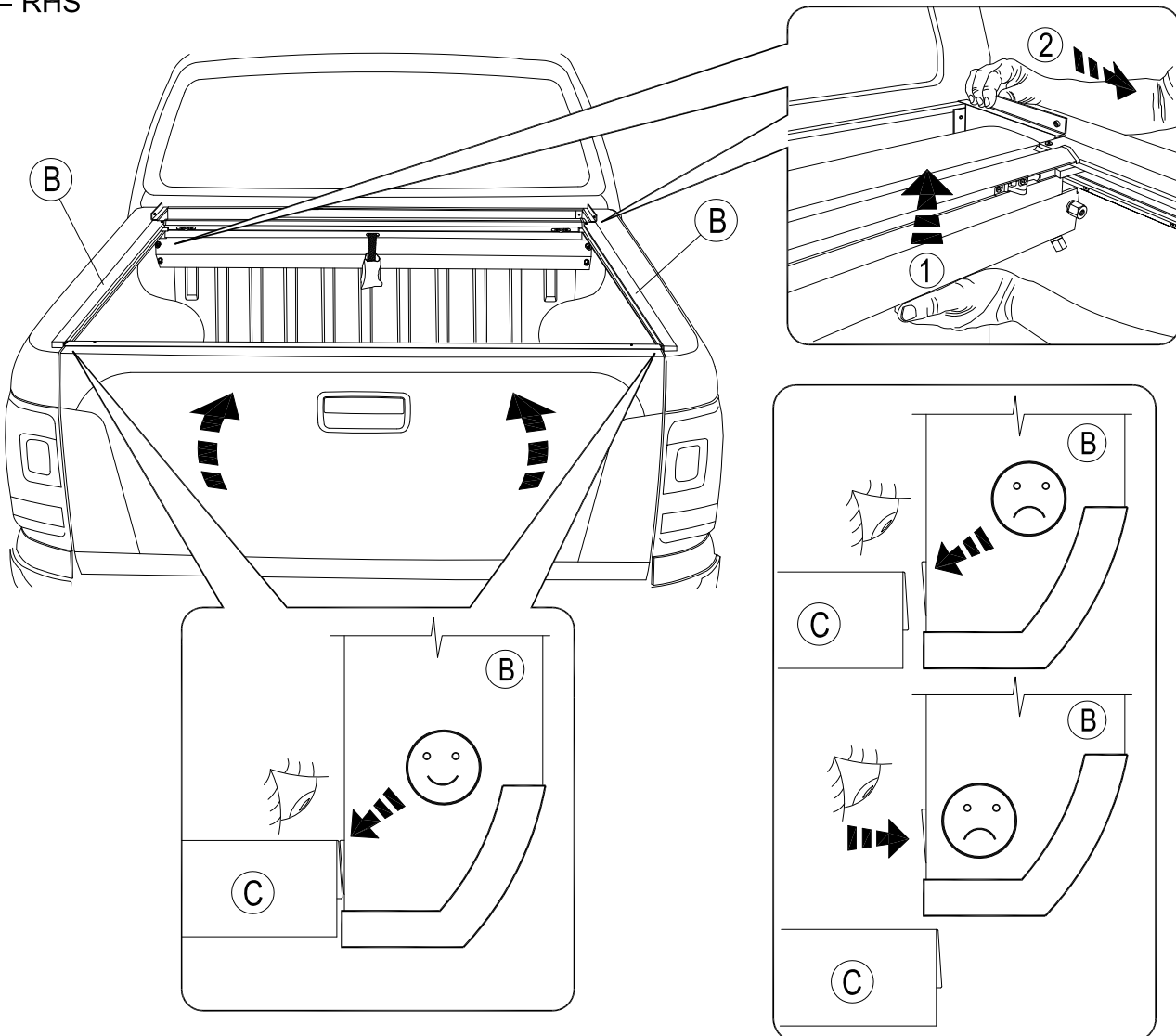
7

LHS = RHS



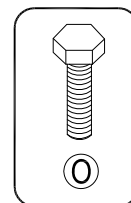
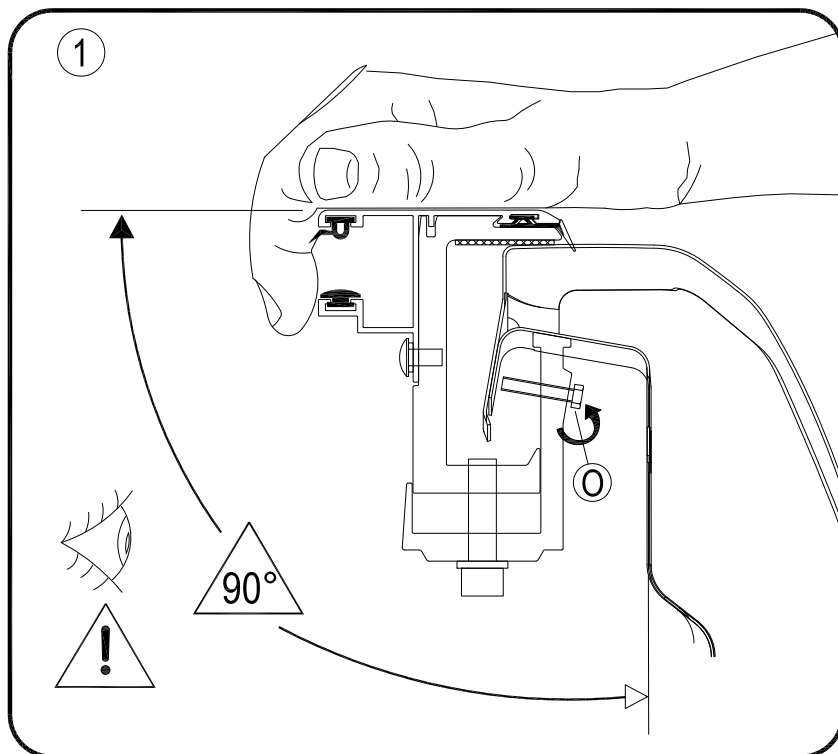
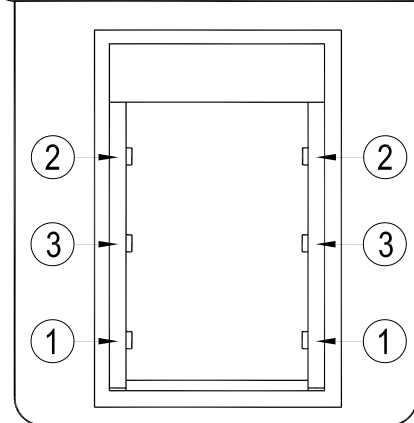
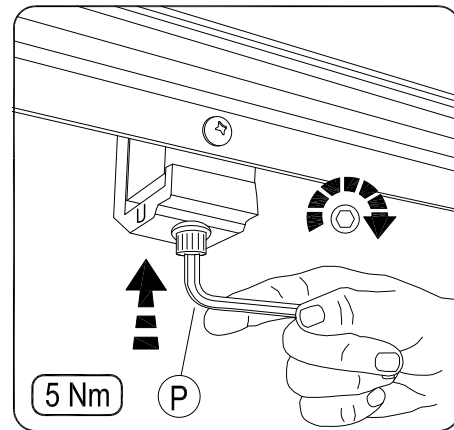
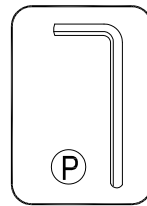
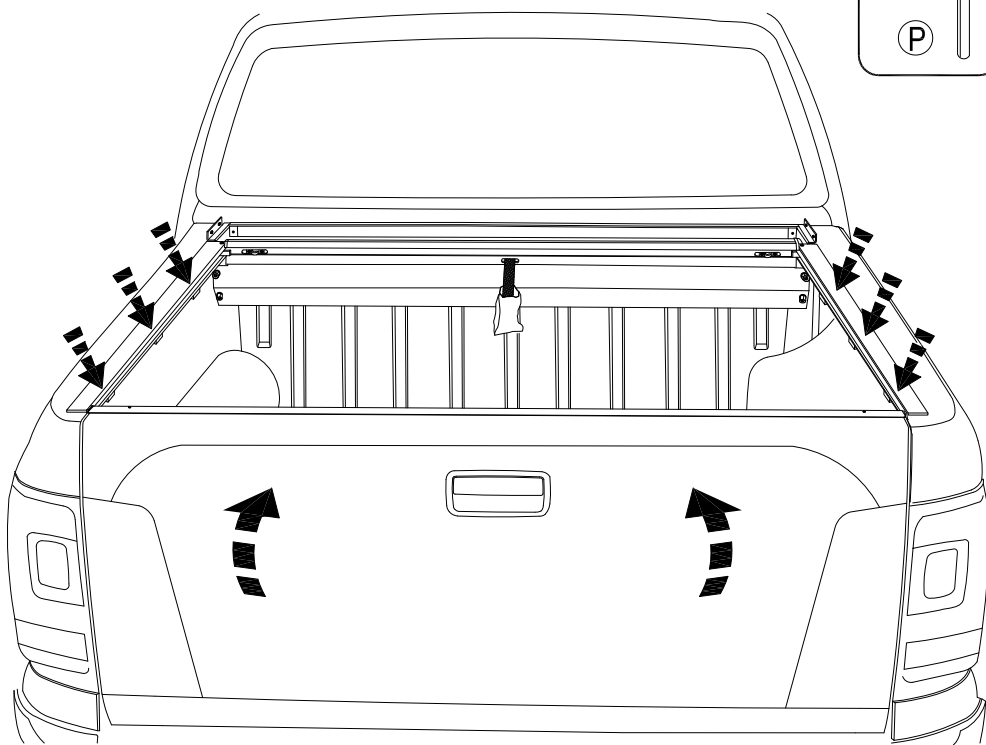
8

LHS = RHS

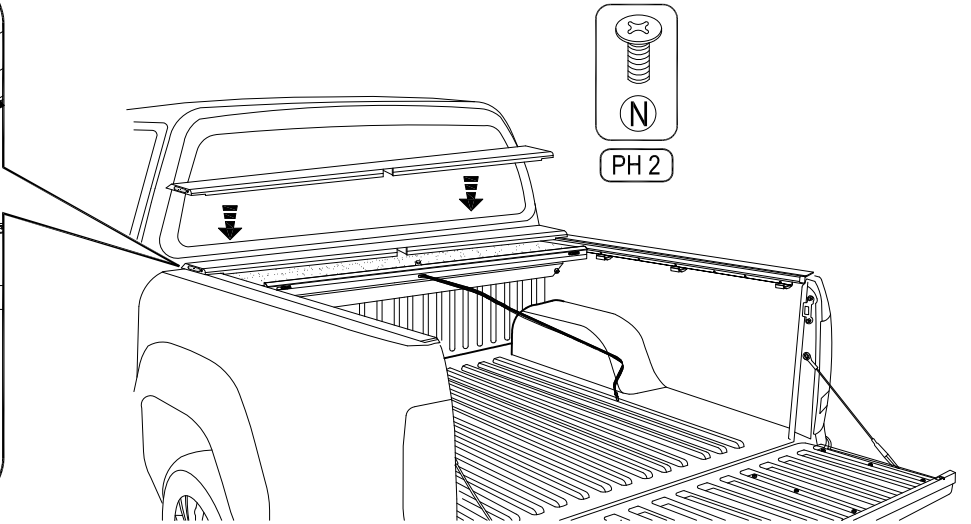
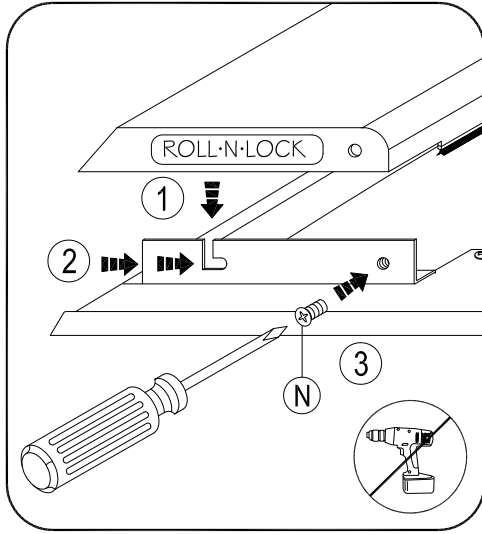
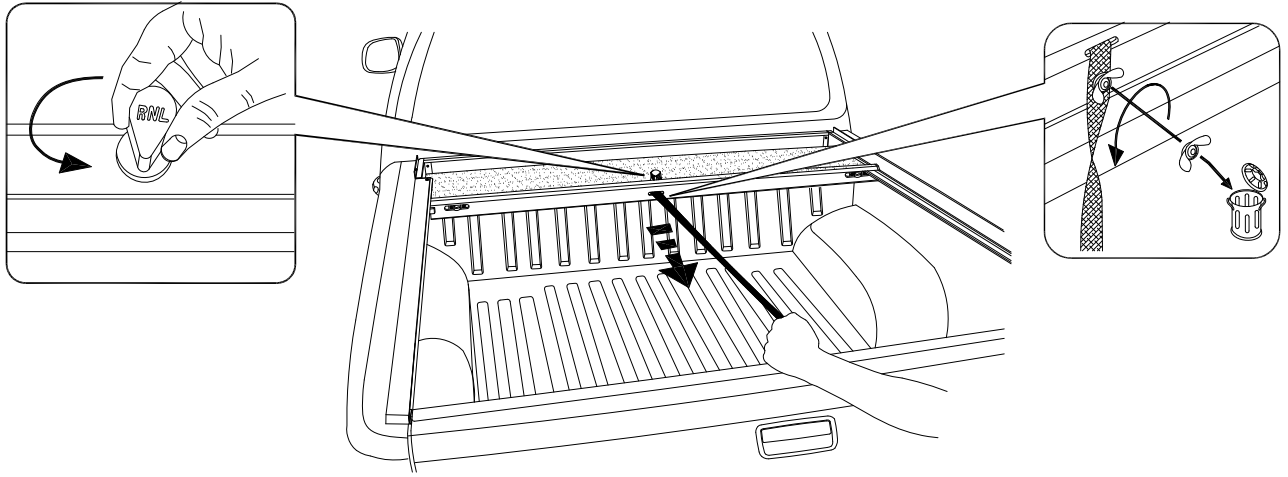


9

LHS = RHS

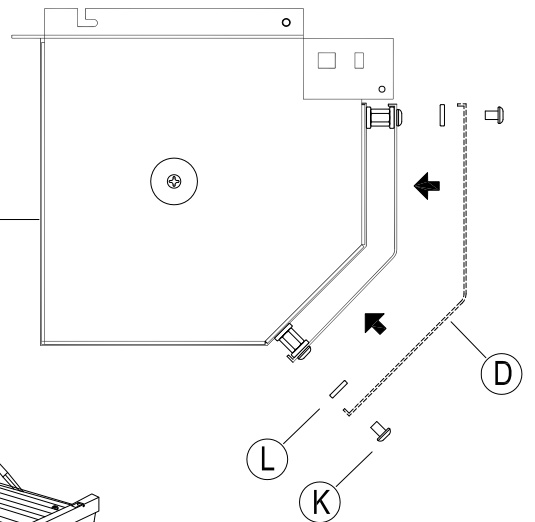
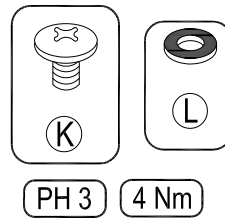
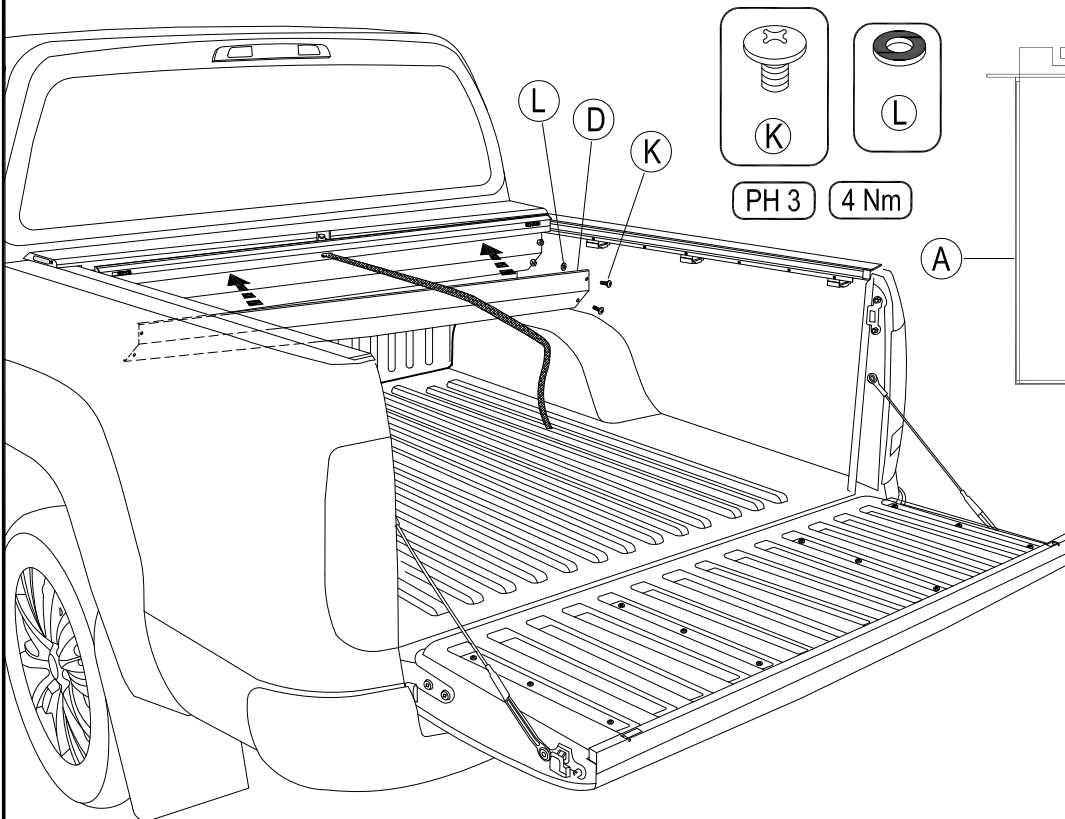


10

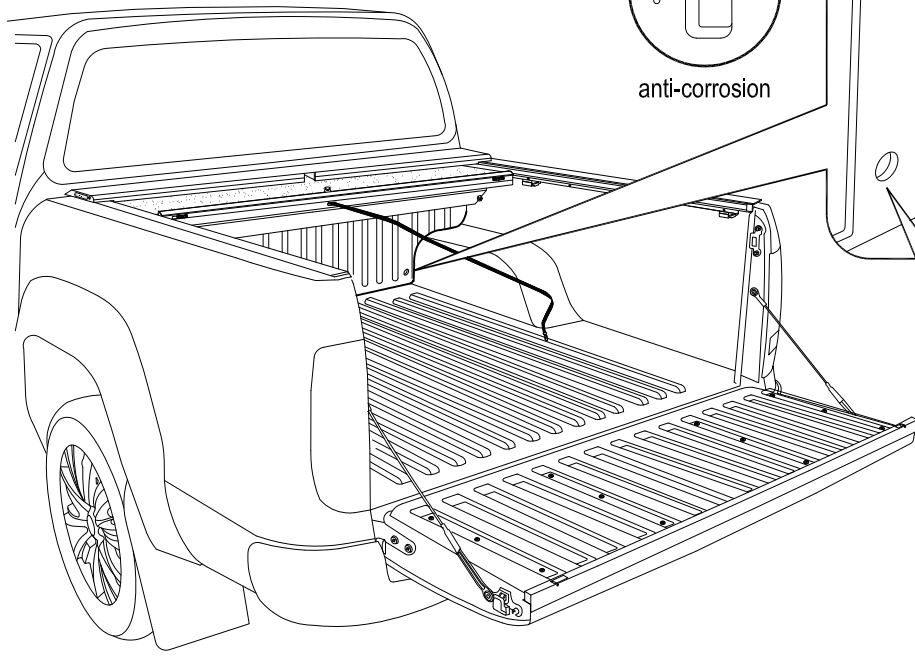


11

LHS = RHS



LHS = RHS



anti-corrosion

