

FORD RANGER 2023+ DOUBLE CABINE
EVOS1400-330S

ROAD RANGER®

ROAD RANGER ALUCOVER

MONTAGEANLEITUNG
INSTALLATION INSTRUCTION

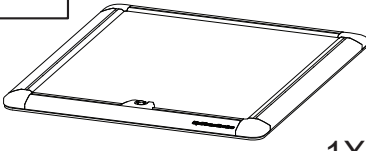
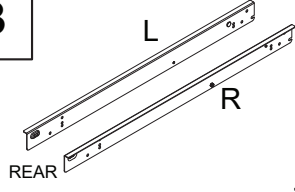
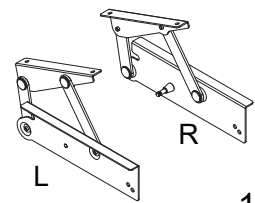
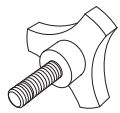

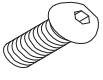
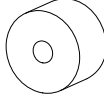
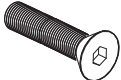


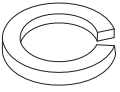
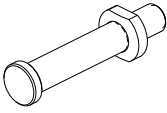
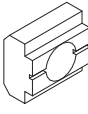
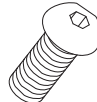

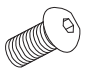
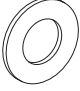
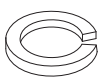
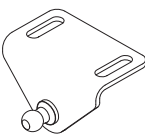

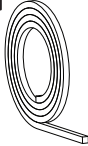
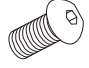
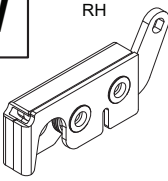
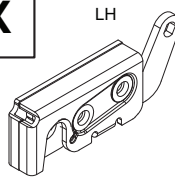


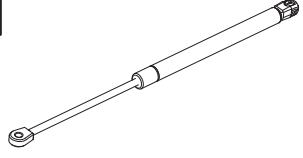
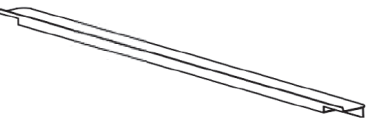
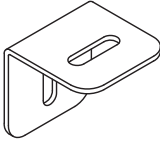
ROAD RANGER®

ROAD RANGER®

INSTALLATION INSTRUCTION MANUAL FORD RANGER 2023+ DOUBLE CABINE

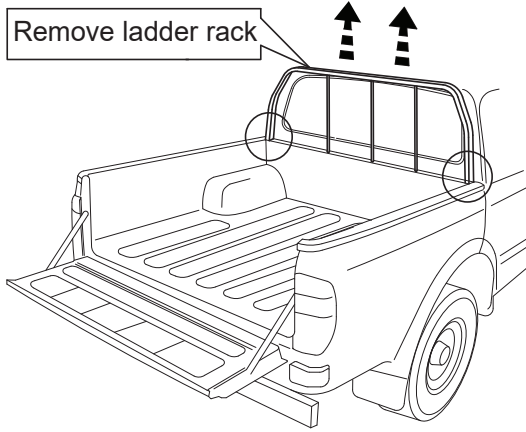
EVOS1400-330S
KIT1400-330RLBF

EVOS1400-330S

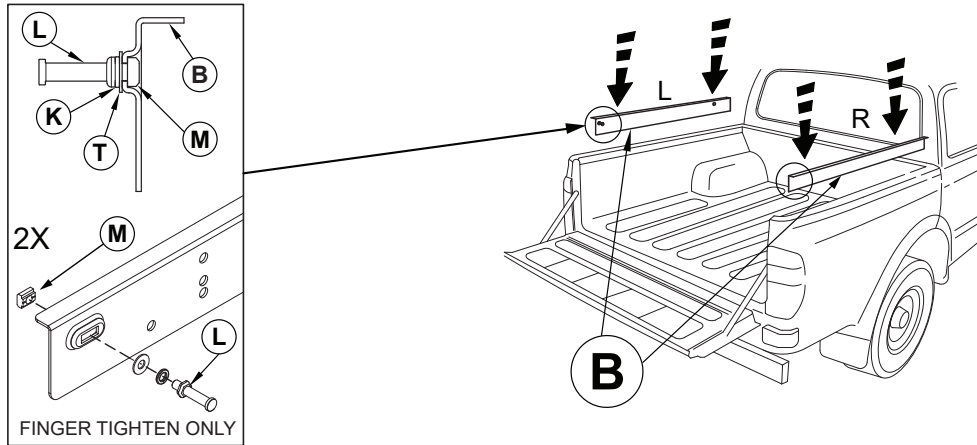
A  1X		B  1X		C  1X		D  2X	
E  2X		F BHC M6x30  6X		G Ø6.4x Ø20 x10 Nylon spacer  8X		H M6x25 TFHC  2X	
I  x2 Incl. kit 607 2X		J M8 Nylstop Stainless Steel  x4 Incl. kit 607 4X		K Ø8 grower washer stainless steel  2X		L Latch Pin  2X	
M  2X		N BHC M8x25  2X		O M6 Nylstop  8X		P BHC M6x18  x12 Incl. kit 607 12X	
Q Washer M6x13  x12 Incl. kit 607 30X		R Ø6mm grower washer  x12 Incl. kit 607 12X		AC  2X		T Washer M8x16  x4 Incl. kit 607 16X	
U 25x25 tape  1X		V BHC M6x16  2X		W RH  Incl. kit 607 1X		X LH  Incl. kit 607 1X	
Y M5 Cable Bolt, Washer & Dome Nut  Incl. kit 607 2X		Z  Incl. kit 607 2X		AA Gas springs  2X			
AB  1X		AD		<p>Note 1: If at any stage of installation you find your sportlid to be an unacceptable fit please contact the manufacturer before continuing.</p> <p>Note 2: If required, use Under Rail Bed Liner only. NOT FOR USE WITH OTHER RAIL BED LINER!</p>			
AE  2X		AF		<p>Required Tools :</p> <ul style="list-style-type: none"> 4 & 5mm Hex Key 10+14mm wrench BLACK SILICONE Pruners Utility knife Measuring tape Pliers 			
AG							

Fitting Kit Number	Product	Revision	Date	Page
EVOS1400-330	FORD RANGER 2023+ (SANS ARCEAU)	1.1	01-08-2024	1

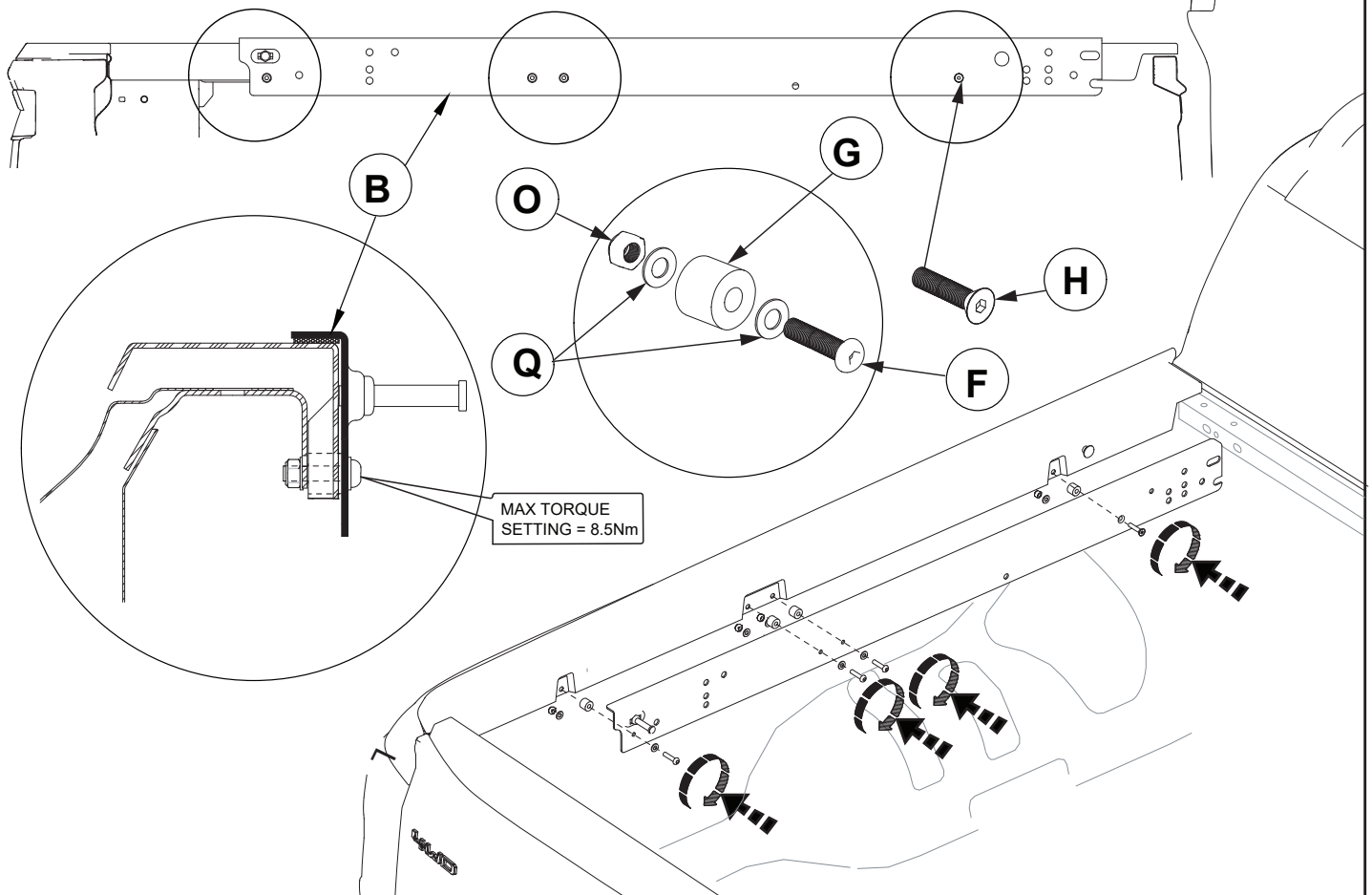
1



2

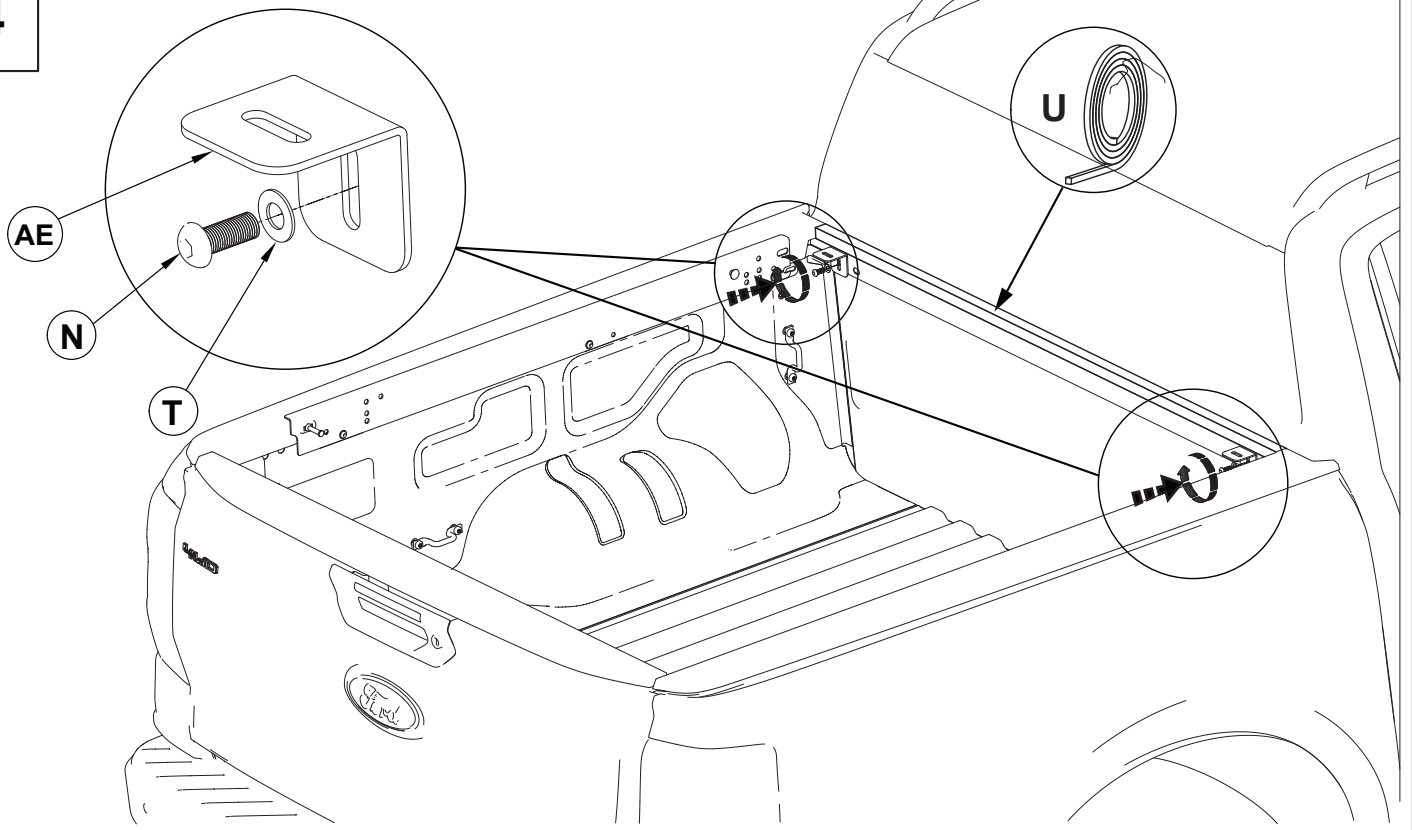


3

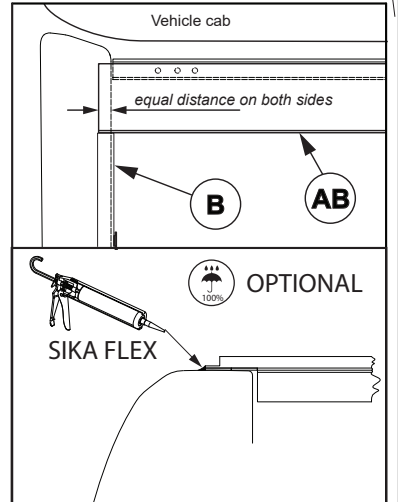
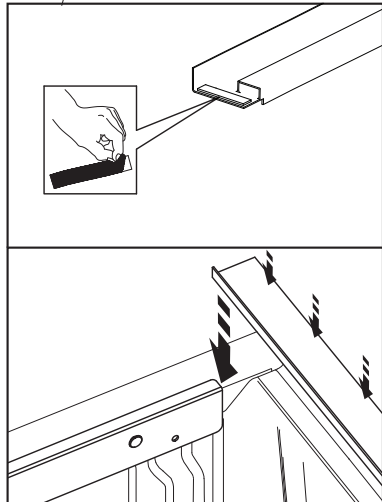
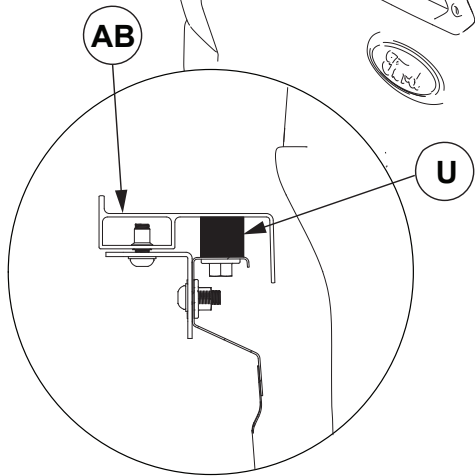
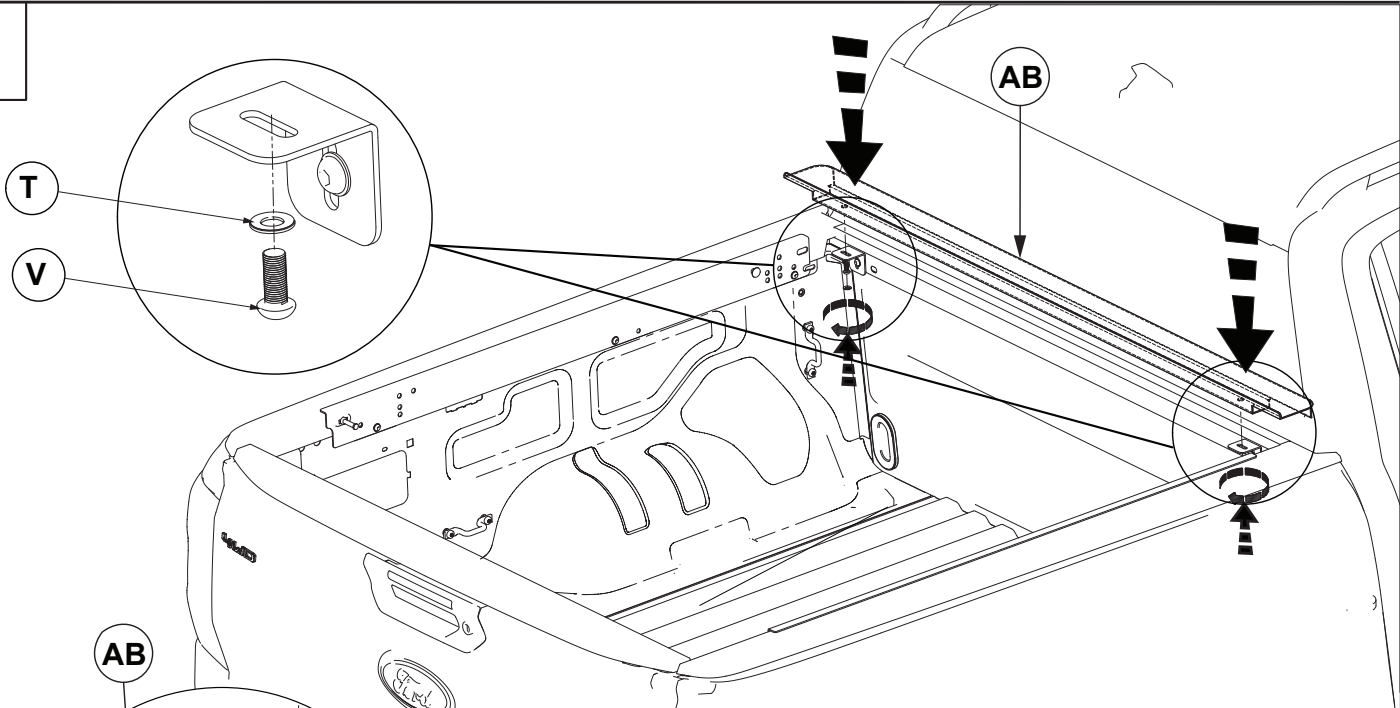


Fitting Kit Number	Product	Revision	Date	Page
EVOS1400-330	FORD RANGER 2023+ (SANS ARCEAU)	1.1	01-08-2024	2

4



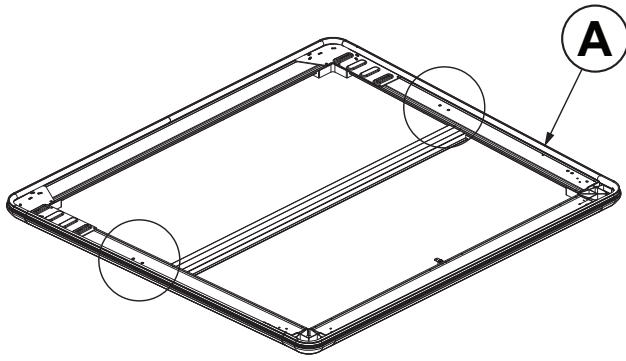
5



! DO NOT apply below 15°C.
Apply pressure to part. Adhesive is pressure activated.
Allow 3hrs minimum to cure before installing lid

Fitting Kit Number	Product	Revision	Date	Page
EVOS1400-330	FORD RANGER 2023+ (SANS ARCEAU)	1.1	01-08-2024	3

6



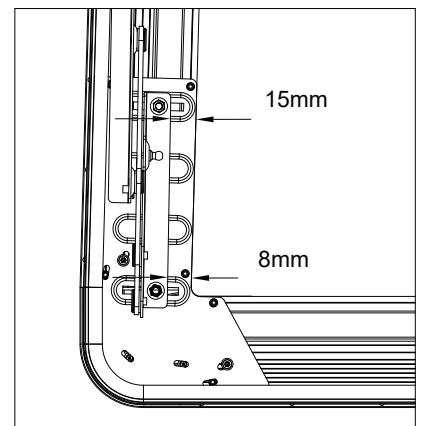
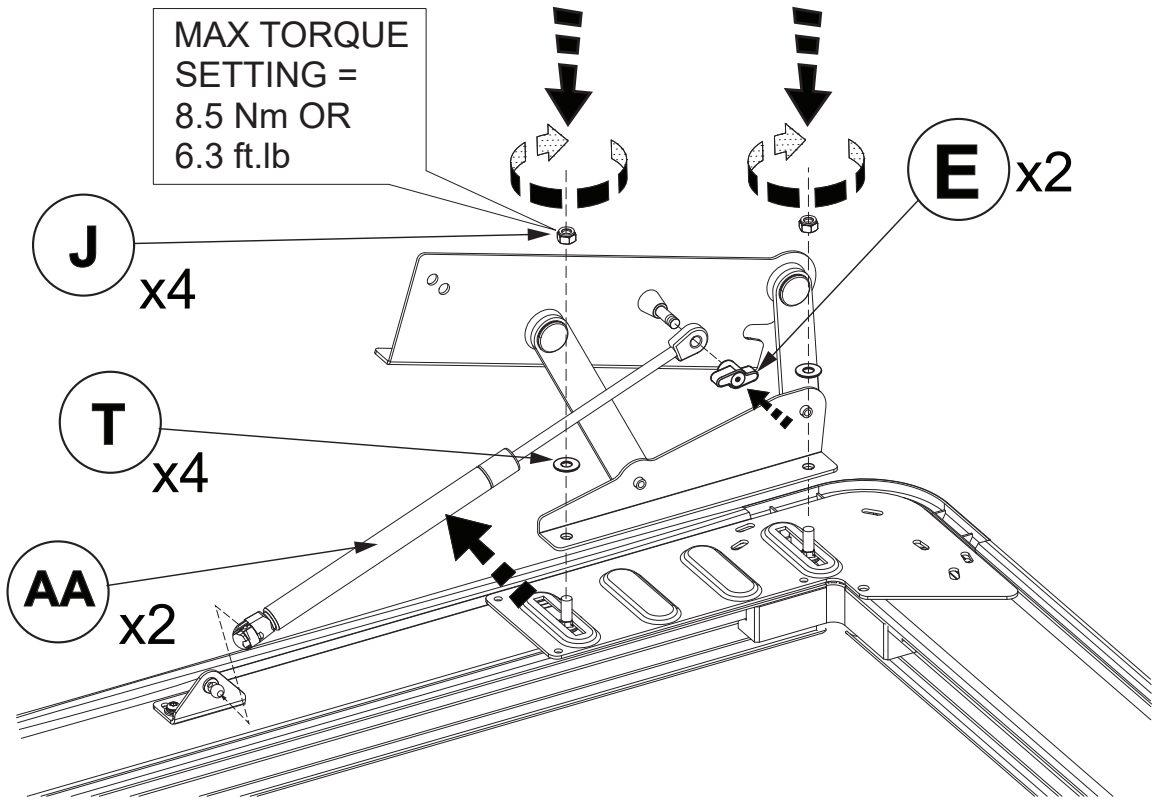
MAX TORQUE
SETTING =
8.5 Nm or
6.3 ft.lb

- P** x4
- R** x4
- Q** x4
- AC** x2



7

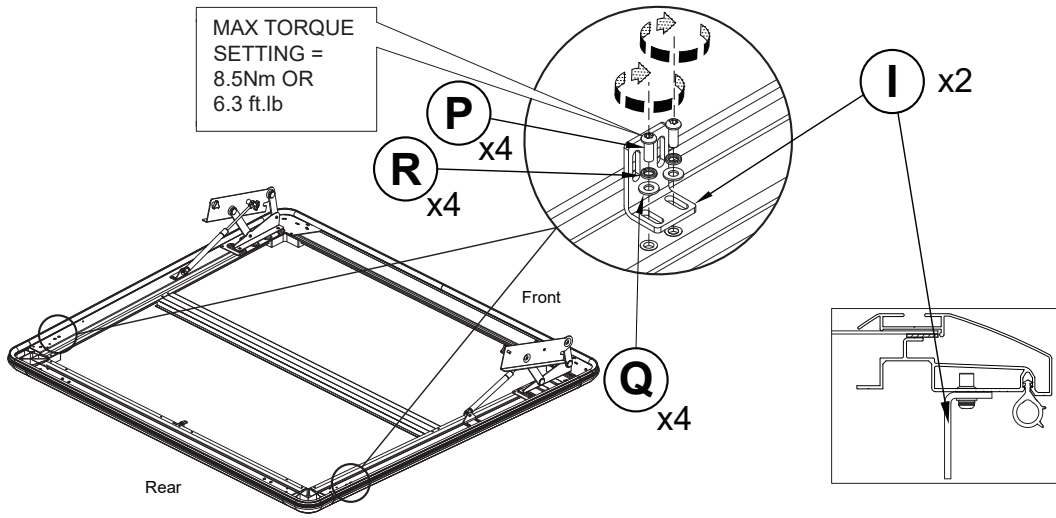
MAX TORQUE
SETTING =
8.5 Nm OR
6.3 ft.lb



Fitting Kit Number	Product	Revision	Date	Page
EVOS1400-330	FORD RANGER 2023+ (SANS ARCEAU)	1.1	01-08-2024	4

8

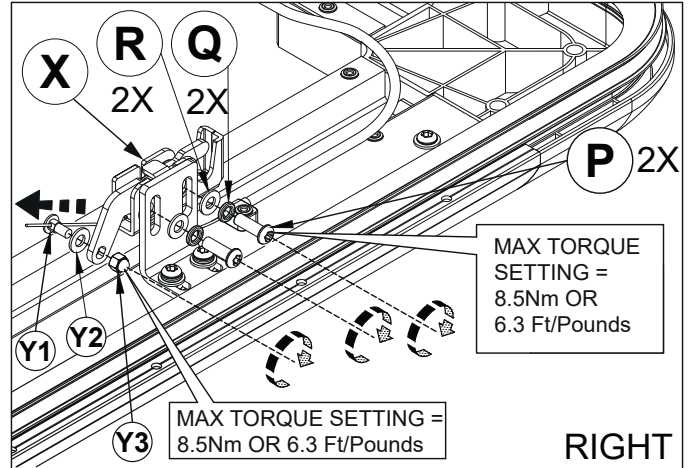
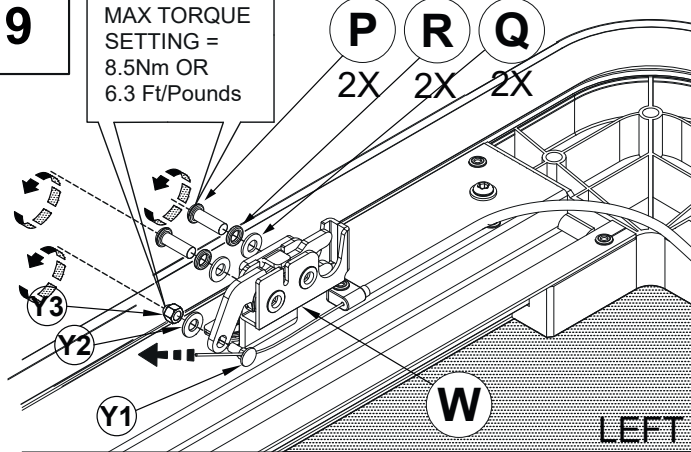
MAX TORQUE
SETTING =
8.5Nm OR
6.3 ft.lb



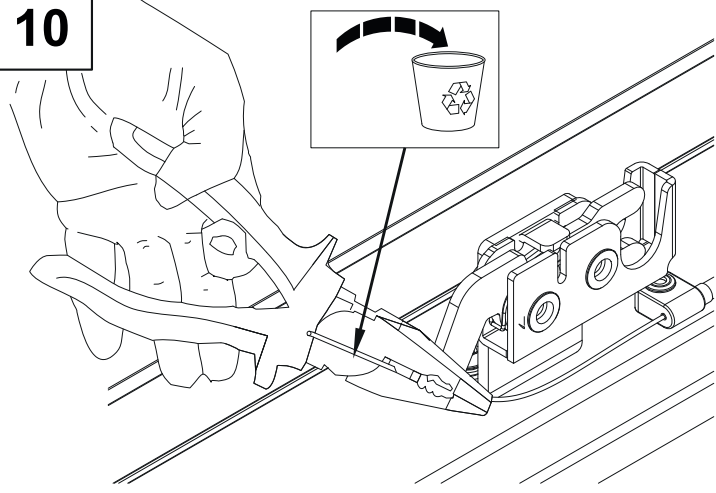
9

MAX TORQUE
SETTING =
8.5Nm OR
6.3 Ft/Pounds

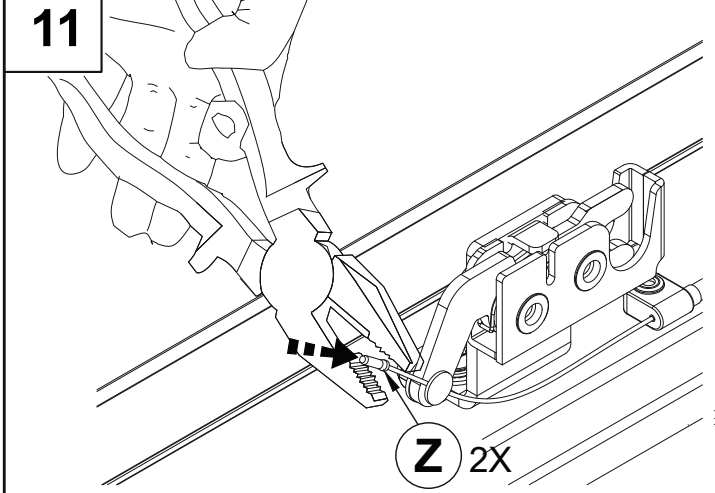
P 2X R 2X Q 2X



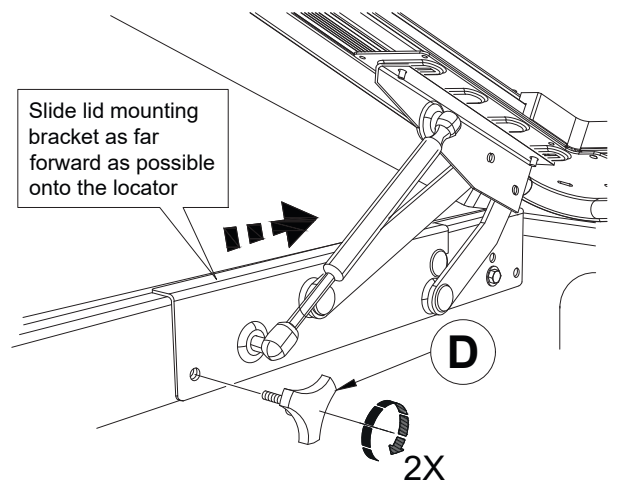
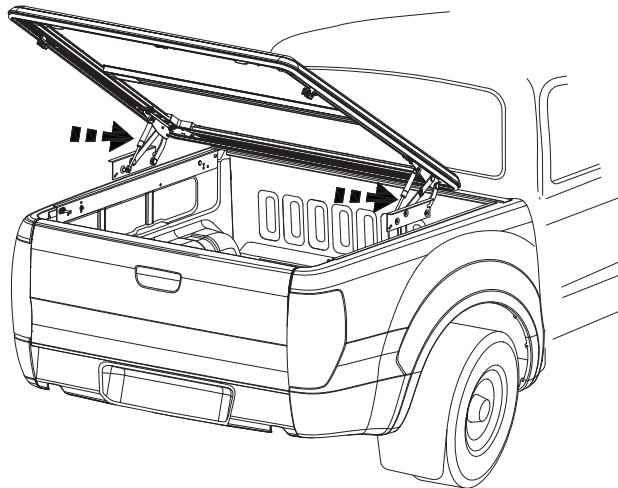
10



11



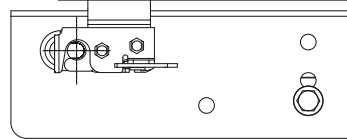
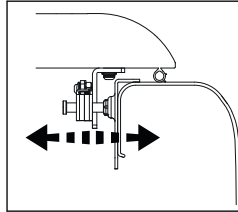
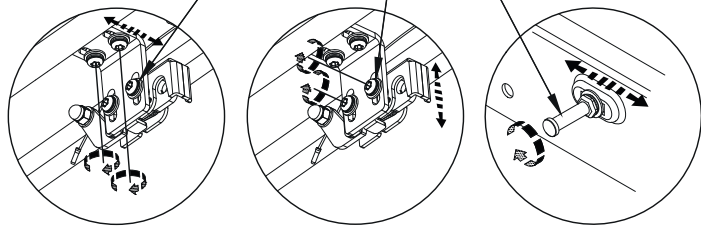
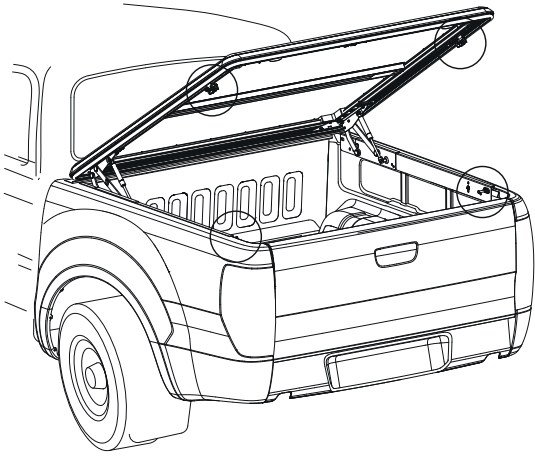
12



Fitting Kit Number	Product	Revision	Date	Page
EVOS1400-330	FORD RANGER 2023+ (SANS ARCEAU)	1.1	01-08-2024	5

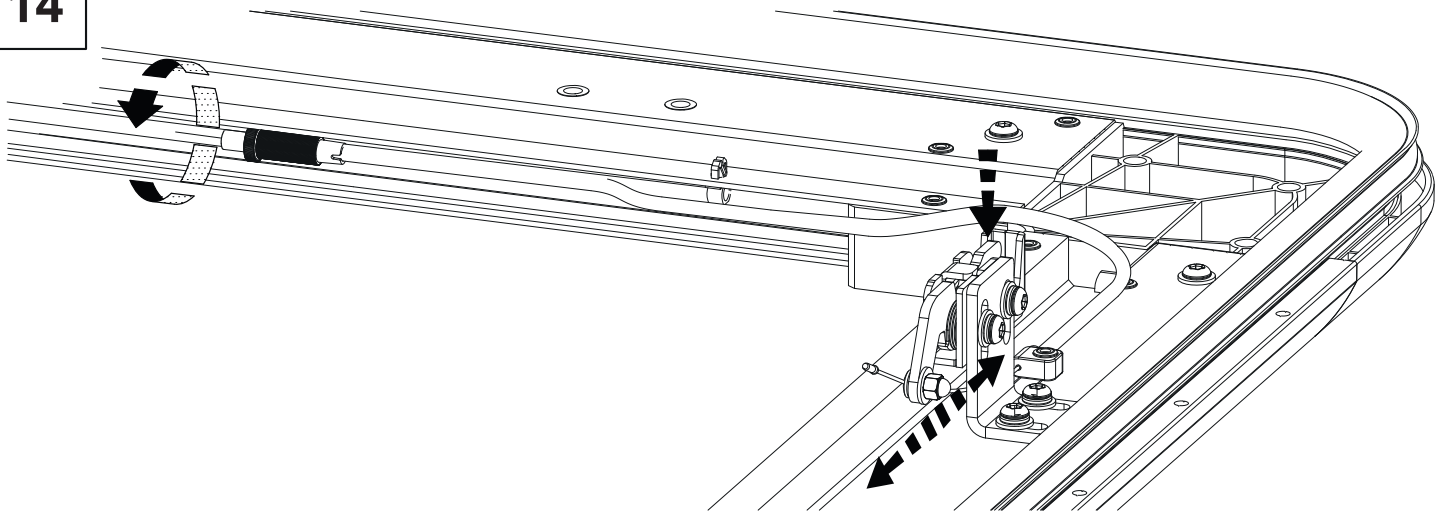
13

MAX TORQUE SETTING = 8.5Nm OR 6.3 Ft/Pounds



Adjust latch bracket, latch height and pin location to align pin with centre of latch.
IMPORTANT! Ensure seal contacts vehicle in all areas

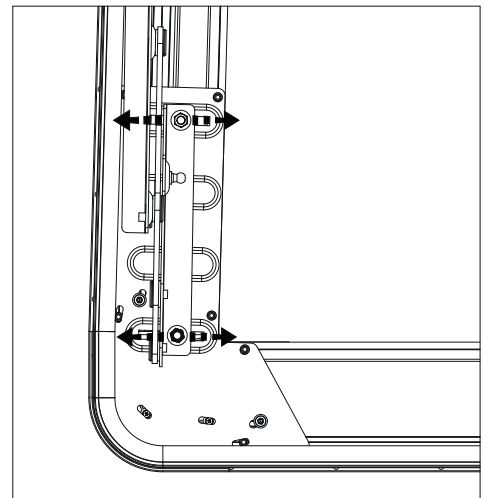
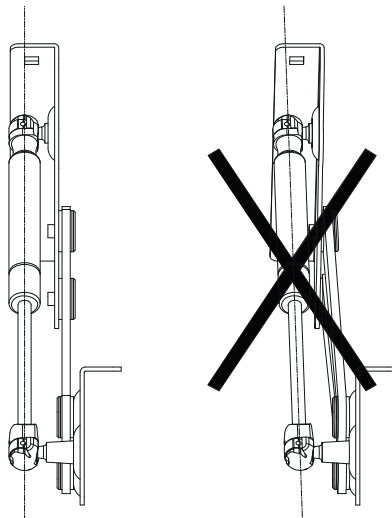
14



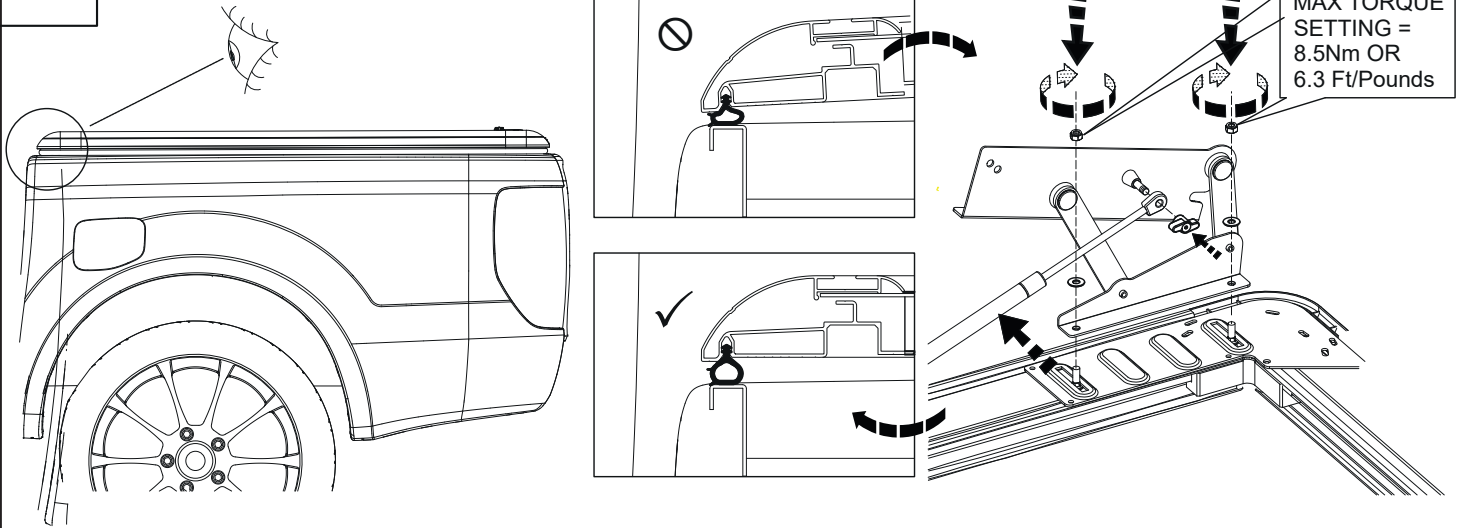
15



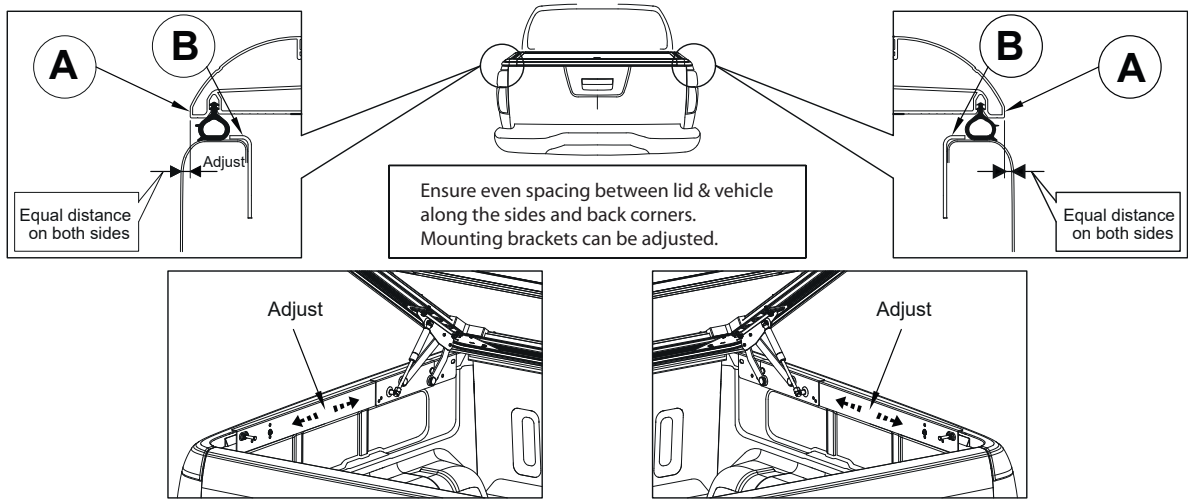
Insure hinge is not twisted.
Adjust connection to lid if necessary.



16



17



Fitting Kit Number	Product	Revision	Date	Page
EVOS1400-330	FORD RANGER 2023+ (SANS ARCEAU)	1.1	01-08-2024	7

ROAD RANGER®



CAUTION!

- NEVER allow people or animals under the closed cover
- Do not place unsealed solvents or chemicals under the cover
- Do not stand or place heavy objects on the cover
- Do not open lid when under load.
- Close the cover before operating the vehicle
- Do not allow oil, solvents or chemicals to contact the cover
- Clean only with a mild detergent and water solution

After installation carefully and thoroughly clean all debris from the inside of the cargo box.

Retain these instructions for future reference

ROAD RANGER®



VIELSEITIGKEIT DURCH DESIGN & AUSSTATTUNG VARIETY IN DESIGN & CONFIGURATION

Änderungen vorbehalten. Abbildungen können vom endgültigen Produkt abweichen.
Sämtliche Abbildungen / Fotos sind Eigentum der
Dr. Höhn GmbH, Künzelsauer Straße 13, 74653 Ingelfingen,
T: +49 (0) 79 40 92 02-0, roadranger@hoehn.de

Subject to change. Pictures may differ from the final product.
All images / photos property of
Dr. Höhn GmbH, Künzelsauer Straße 13, 74653 Ingelfingen,
T: +49 (0) 79 40 92 02-0, roadranger@hoehn.de

Für weitere und immer aktuelle Informationen können Sie uns gerne unter
www.roadranger.de besuchen.

For more details and updated information please visit www.roadranger.de.

Ihr Road Ranger Team
Your Road Ranger Team