

ROAD RANGER®

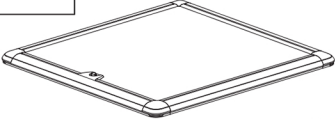
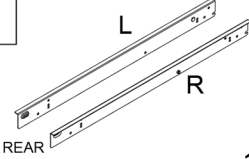
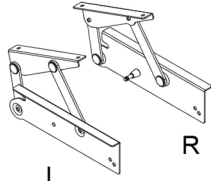
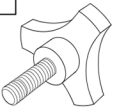

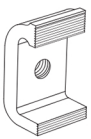
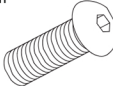

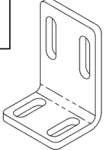

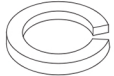
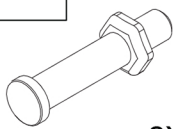
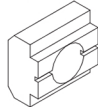
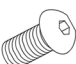


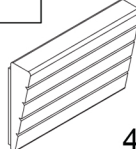


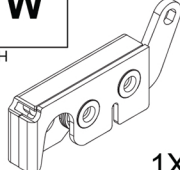
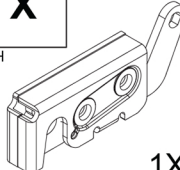


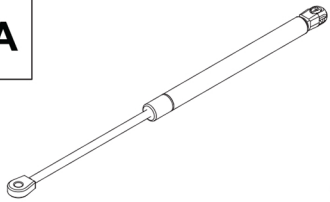
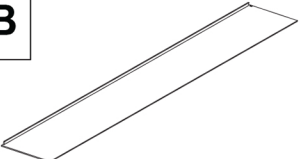
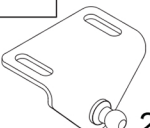

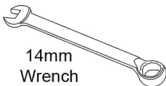

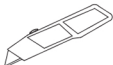

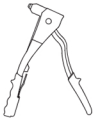
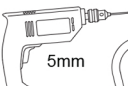
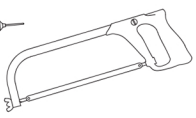
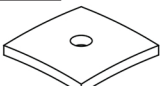
ROAD RANGER ALUCOVER

MONTAGEANLEITUNG
INSTALLATION INSTRUCTION

UpStoneEvolve

INSTALLATION INSTRUCTIONS K411

TOYOTA HILUX VIGO 2005/2015

<p>A</p>  <p>1X</p>	<p>B</p>  <p>1X</p>	<p>C</p>  <p>1X</p>	<p>D</p>  <p>2X</p>		
<p>E</p>  <p>2X</p>	<p>F</p>  <p>4X</p>	<p>G</p> <p>M8x25mm</p>  <p>4X</p>	<p>H</p> <p>M8 x16 Stainless Steel Washer</p>  <p>10X</p>	<p>I</p>  <p>2X</p>	<p>J</p> <p>M8 Nylock</p>  <p>8X</p>
<p>K</p> <p>M8 Stainless Steel Spring Washer</p>  <p>6X</p>	<p>L</p>  <p>2X</p>	<p>M</p>  <p>2X</p>			<p>P</p> <p>M6x18</p>  <p>16X</p>
<p>Q</p> <p>M6x13mm Zinc</p>  <p>12X</p>	<p>R</p> <p>M6x10mm</p>  <p>12X</p>	<p>T</p>  <p>4X</p>		<p>U</p> <p>M10x24mm</p>  <p>4X</p>	<p>V</p> <p>M8 x16 Zinc Washer</p>  <p>8X</p>
<p>W</p> <p>RH</p>  <p>1X</p>	<p>X</p> <p>LH</p>  <p>1X</p>	<p>Y</p> <p>M5 Cable Bolt, Washer & Dome Nut</p>  <p>2X</p>	<p>Z</p>  <p>2X</p>	<p>AA</p>  <p>2X</p>	
<p>AB</p>  <p>1X</p>	<p>AC</p>  <p>2X</p>	<p>Note 1: If at any stage of installation you find your sportlid to be an unacceptable fit please contact the manufacturer before continuing.</p> <p>Note 2: If required, use Under Rail Bed Liner only. NOT FOR USE WITH OVER RAIL BED LINER!</p> <p><u>Tools Required:</u></p>  <p>4mm & 5mm Hex Key</p>  <p>14mm Wrench</p>    <p>OPTIONAL</p>   <p>5mm</p> 			
<p>AD</p>  <p>4X</p>					

1

Remove ladder rack

Note 2: If required, use Proform Under Rail Bed Liner only. Not for use with Over Rail Bed Liner.

Follow guide lines to trim liner in front corners.

Vehicle Model

	α
Toyota Hilux Double Cab 2005 A-Deck N25S, N25T	1
Toyota Hilux Double Cab 2005 J-Deck	N/A - Do Not Fit

2

3

2X

T

B

110mm

70mm

4

B

L

R

70.4mm

Place front of side mounting brackets back from inside corners of the cargo box

L

K

H

B

M

M

L

FINGER TIGHTEN ONLY

5

A-Deck

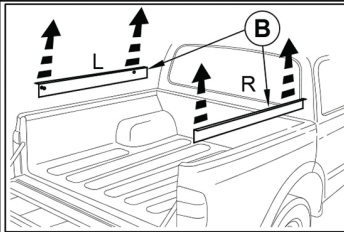
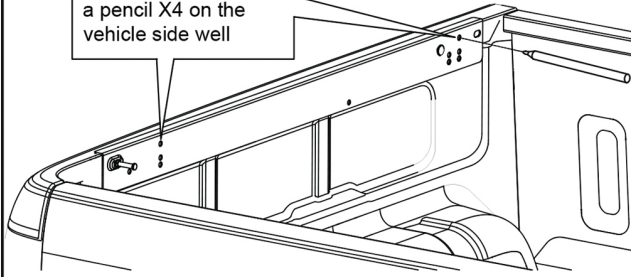
J-Deck
Hook Side

6a

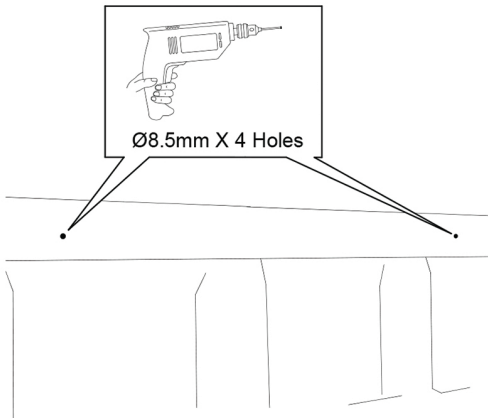
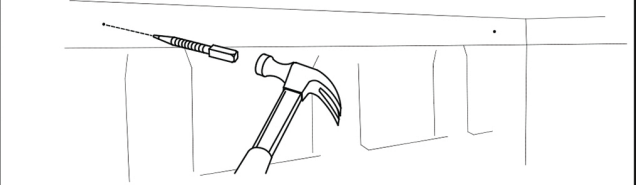


J-Deck Only

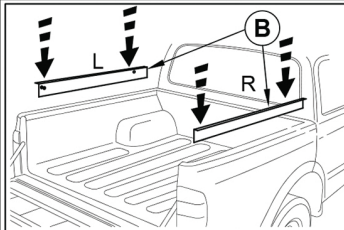
Mark centre holes with a pencil X4 on the vehicle side well



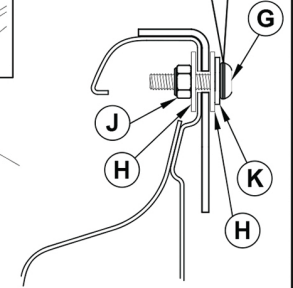
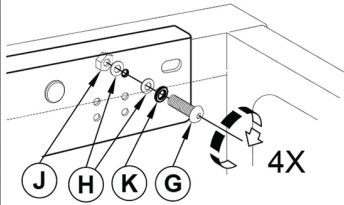
Remove side mounting brackets and mark hole positions with a hole punch (Not supplied) X4



Ø8.5mm X 4 Holes



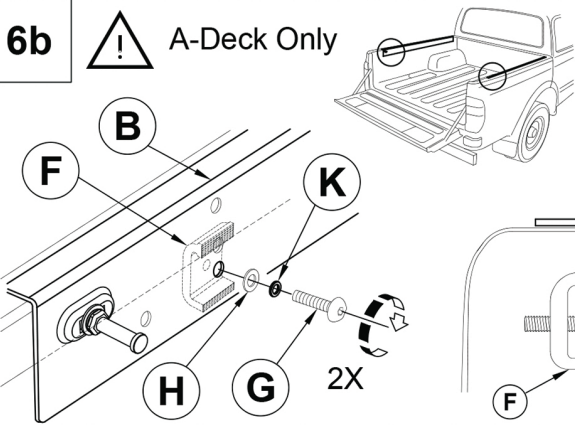
MAX TORQUE SETTING = 8.5Nm OR 6.3 Ft/Pounds



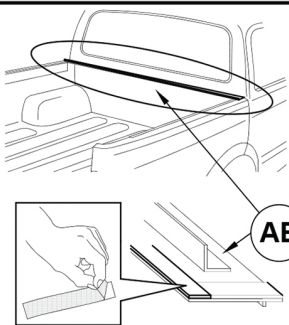
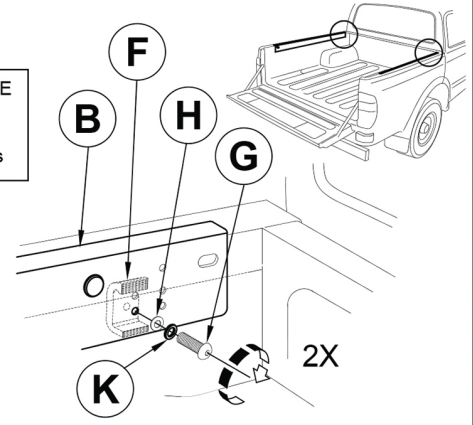
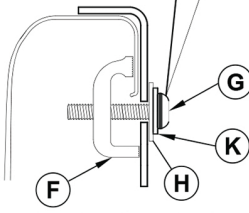
6b



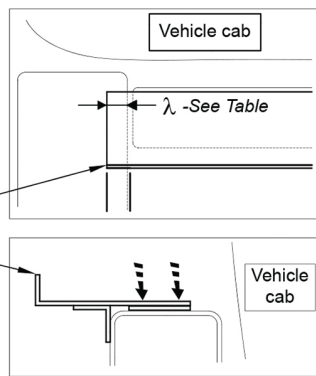
A-Deck Only



MAX TORQUE SETTING = 8.5Nm OR 6.3 Ft/Pounds



AB



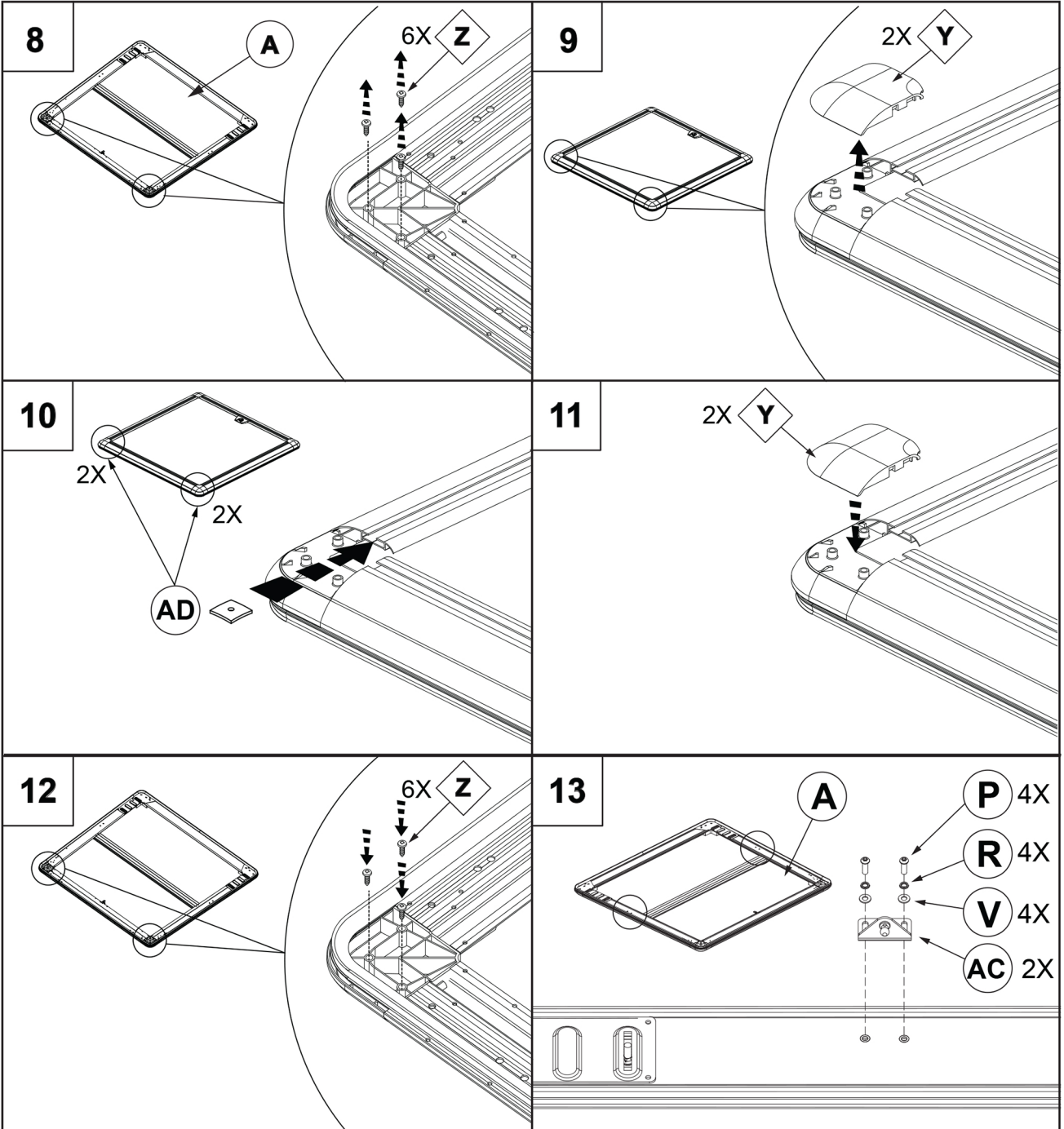
Vehicle Model	λ
Toyota Hilux Double Cab 2005 A-Deck N25S, N25T	23mm
Toyota Hilux Double Cab 2005 J-Deck	16mm

7

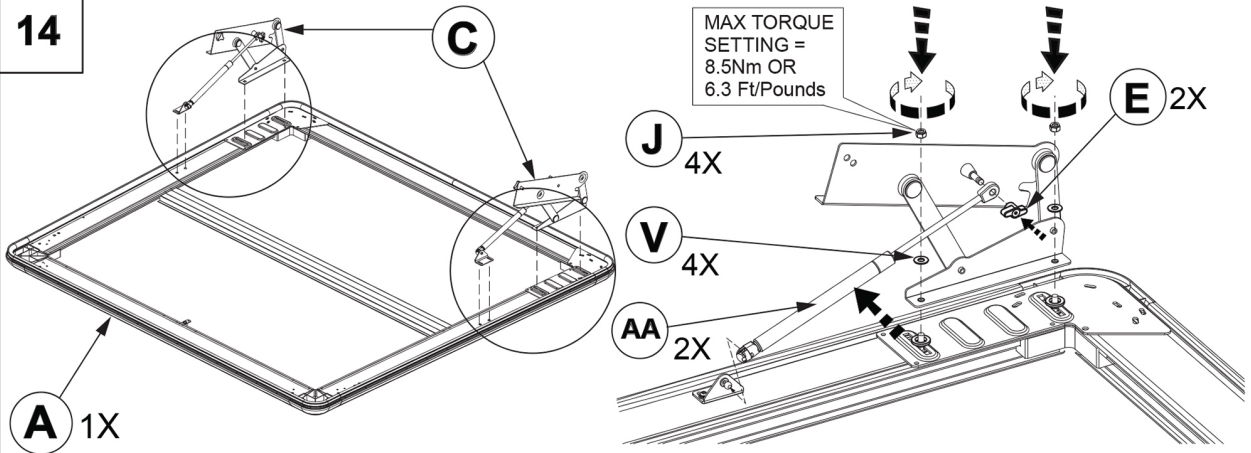


DO NOT apply below 15°C. Apply pressure to part. Adhesive is pressure activated. Allow 3hrs minimum to cure before installing lid

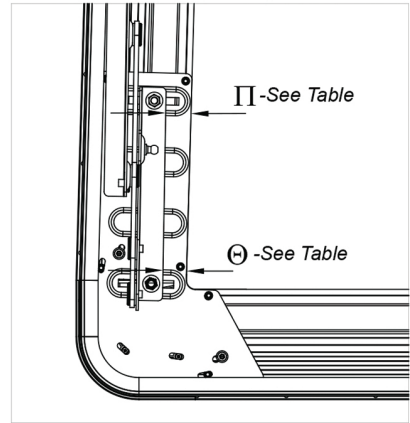
Fitting Kit Number	Product	Revision	Date	Page
K411	Upstone Lid	1	22-10-2013	3 of 8



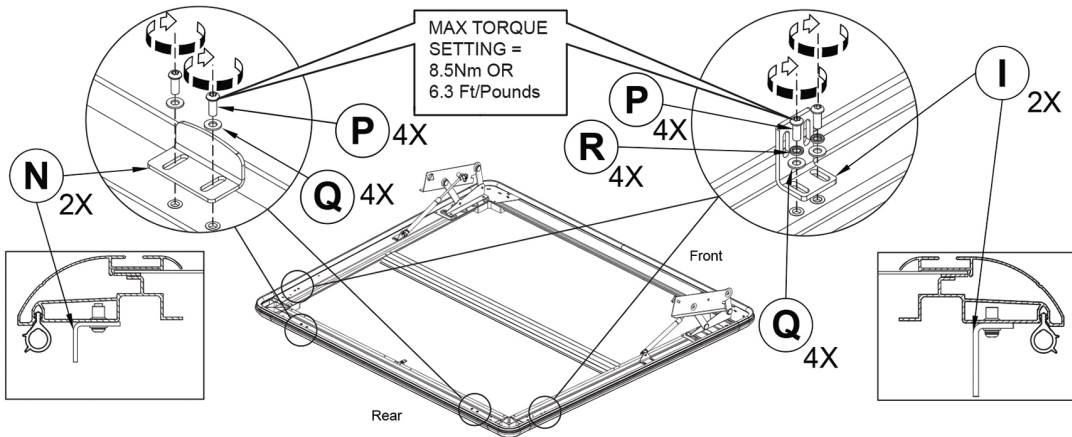
14



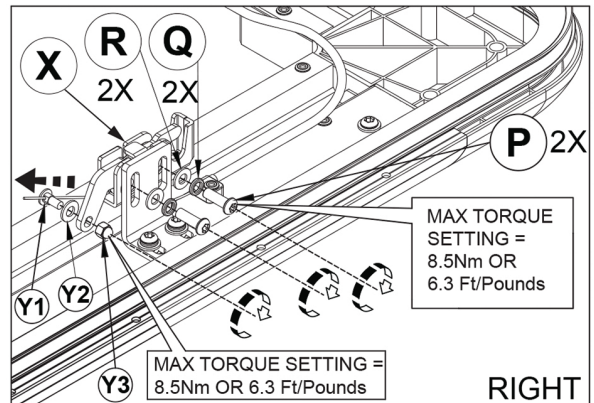
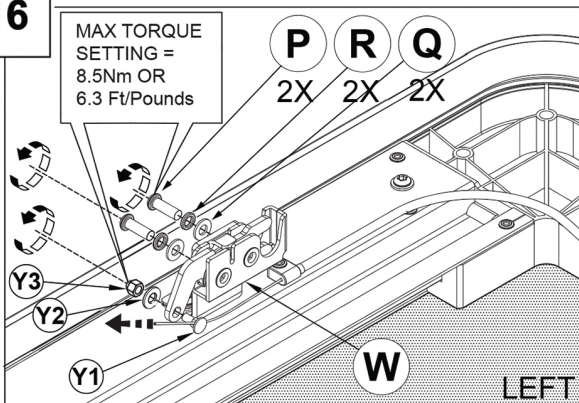
Vehicle Model	Π	⊖
Toyota Hilux Double Cab 2005 A-Deck N25S, N25T	31mm	31mm
Toyota Hilux Double Cab 2005 J-Deck	36mm	36mm



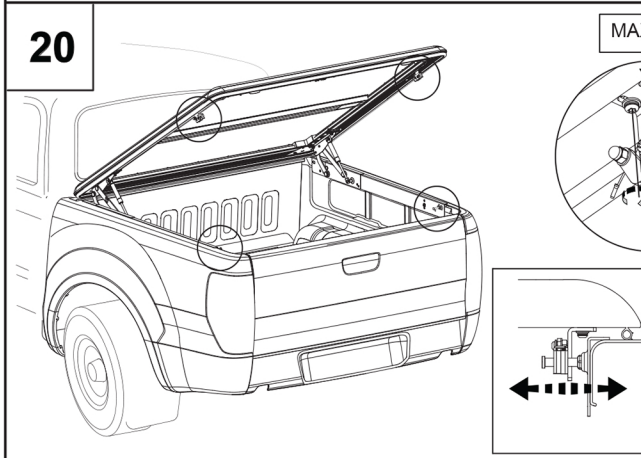
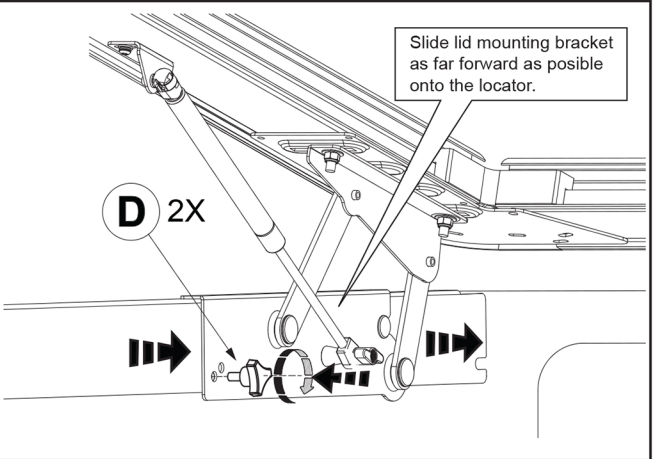
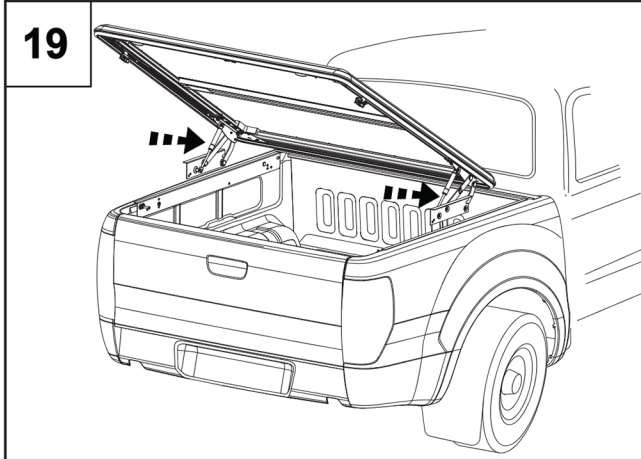
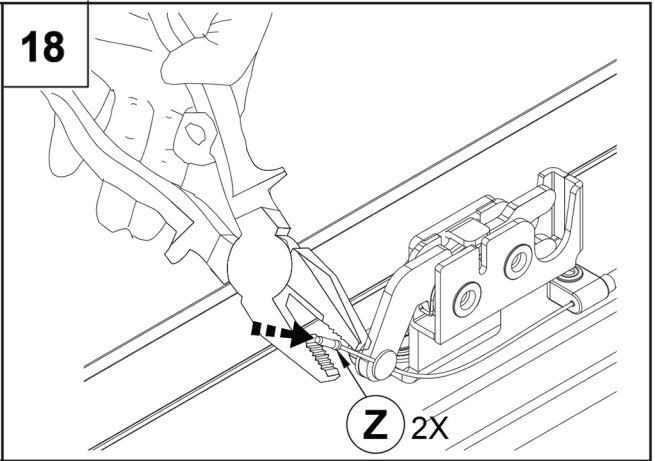
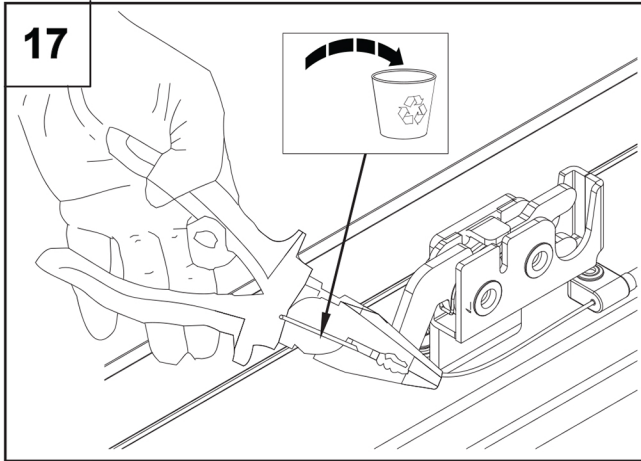
15



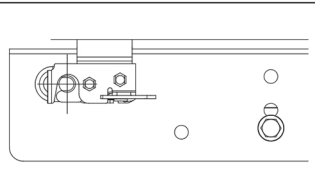
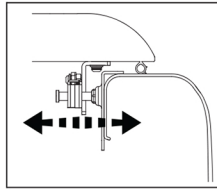
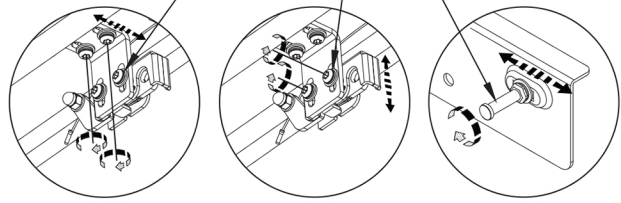
16



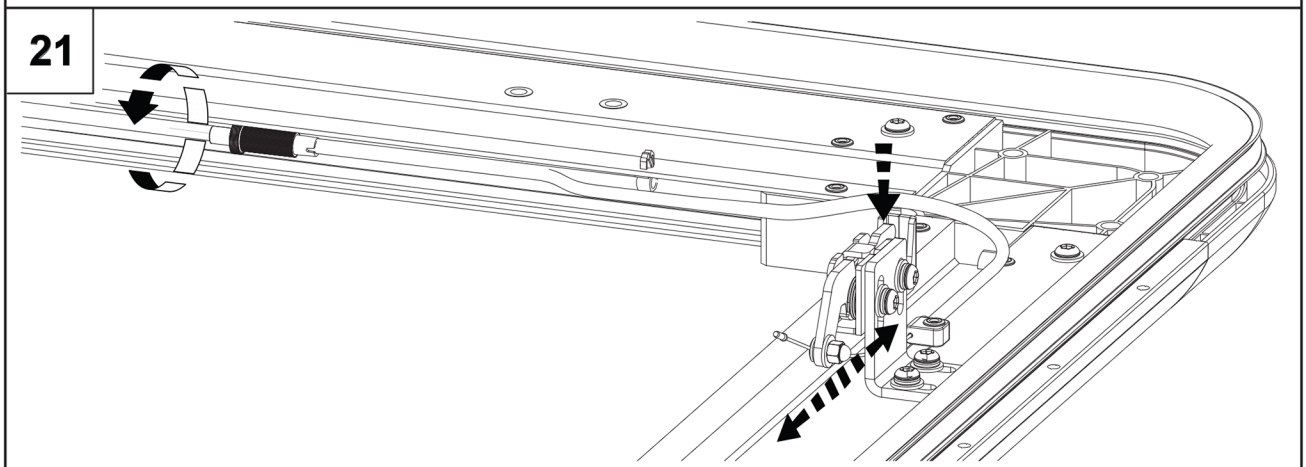
Fitting Kit Number	Product	Revision	Date	Page
K411	Upstone Lid	1	22-10-2013	5 of 8



MAX TORQUE SETTING = 8.5Nm OR 6.3 Ft/Pounds



Adjust latch bracket, latch height and pin location to align pin with centre of latch. Adjust cable tension to achieve correct latching. **IMPORTANT!** : Ensure seal contacts vehicle in all areas

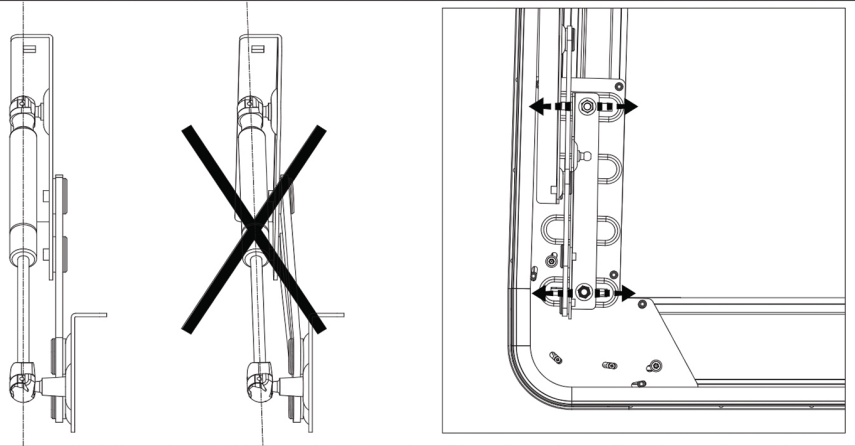


Fitting Kit Number	Product	Revision	Date	Page
K411	Upstone Lid	1	22-10-2013	6 of 8

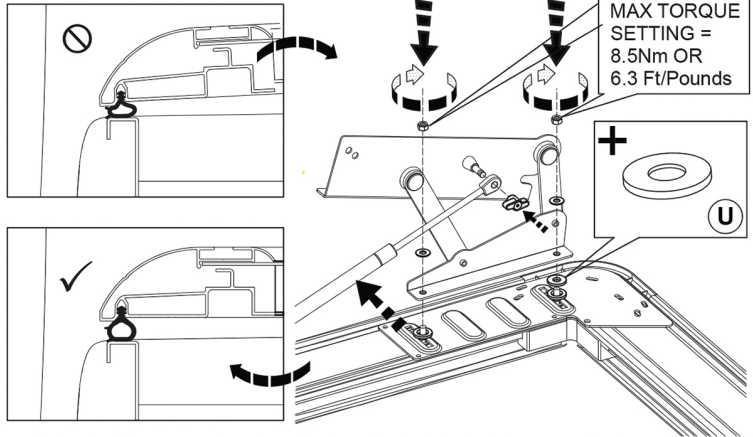
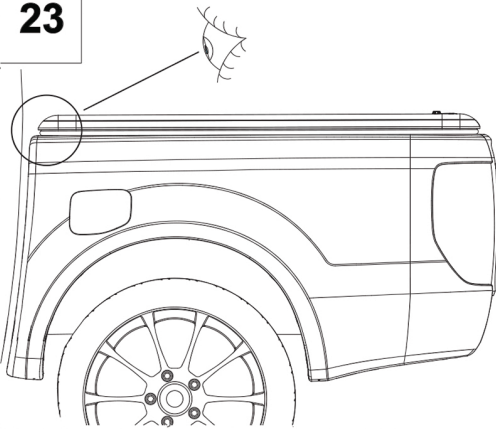
22



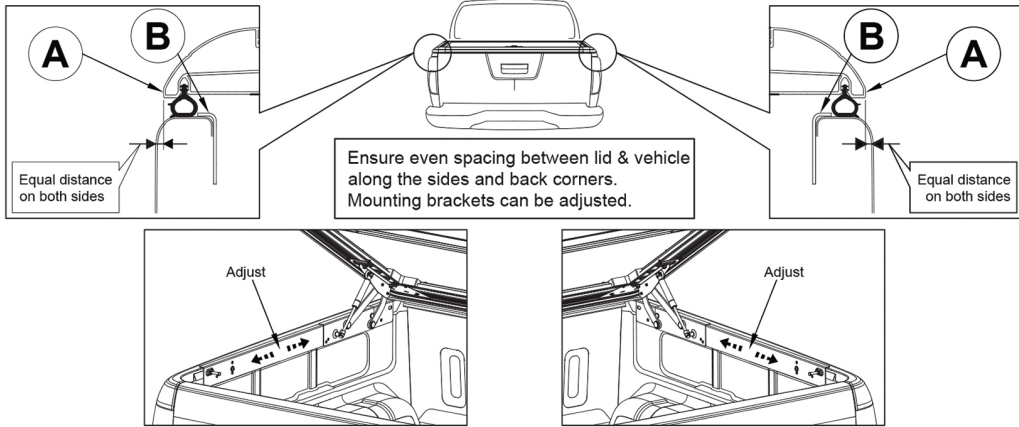
Insure hinge is not twisted.
Adjust connection to lid if necessary.



23



24



Fitting Kit Number	Product	Revision	Date	Page
K411	Upstone Lid	1	26-09-2013	7 of 8

After installation carefully and thoroughly clean all debris from the inside of the cargo box.
Retain these instructions for future reference



CAUTION!

- NEVER allow people or animals under the closed cover
- Do not place unsealed solvents or chemicals under the cover
- Do not stand or place heavy objects on the cover
- Do not open lid when under load.
- Close the cover before operating the vehicle
- Do not allow oil, solvents or chemicals to contact the cover
- Clean only with a mild detergent and water solution

Fitting Kit Number	Product	Revision	Date	Page
K411	Upstone Lid	1	26-09-2013	8 of 8

ISUZU
NISSAN NAVARA
TOYOTA HILUX
VOLKSWAGEN AMAROK



Item Code

Codice Articolo

Référence Article

: RUP/470/IX


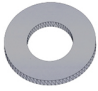
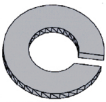
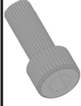

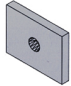


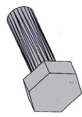
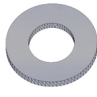
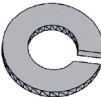

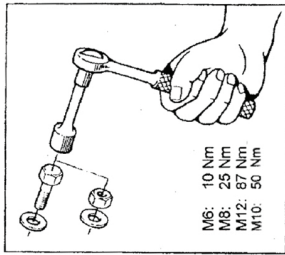
GB

STAINLESS STEEL
MEDIUM BAR

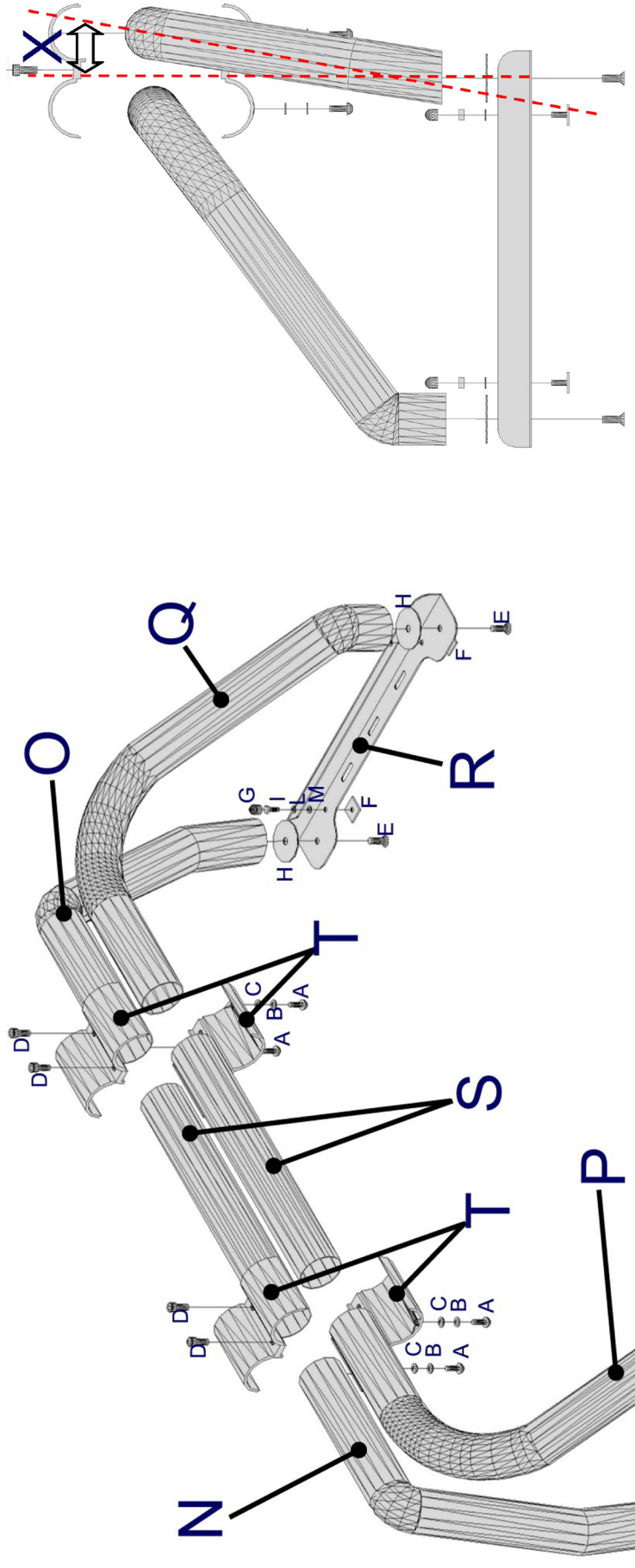
FR

MEDIUM BAR
EN ACCIER INOX

ISUZU, NISSAN NAVARA, TOYOTA HILUX, VOLKSWAGEN AMAROK

Part List					
Liste des pièces					
A	 TBCEI 8X25 x 4	 Ø 8 x 4	 Ø 8 x 4	 TCEI 10X25 x 4	 TSPEI M10X25 x 4
F	 M6 x 4	 Cappelletti M 6 x 4	 VIPLA Ø 80 x 4	 TE 6X15 x 4	 BIG Ø 6 GRAND x 4
M	 Ø 6 x 4	N AS7/SX x1	O AS7/DX x1	P PS7/SX x1	Q PS7/DX x1
R	 RLS/7TR x2	S RLB/06 x2	T RLB Ø76 x2		
					 <p>M6: 10 Nm M8: 25 Nm M12: 87 Nm M10: 50 Nm</p>

ISUZU, NISSAN NAVARA, TOYOTA HILUX, VOLKSWAGEN AMAROK



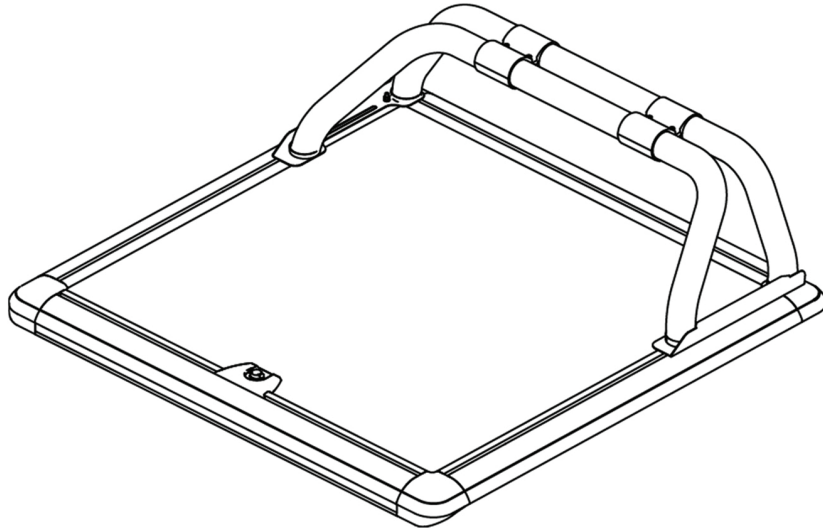
WARNING: fit the N and O front bends as shown in the drawing

ATTENTION: monter les curves anterieures N et O comme indique dans le dessin.

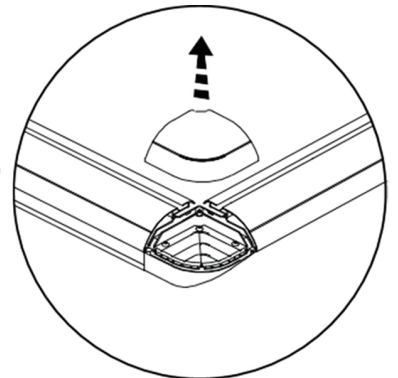
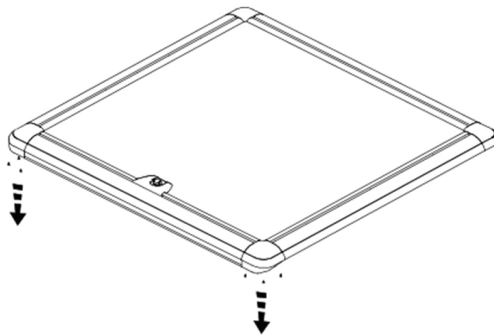
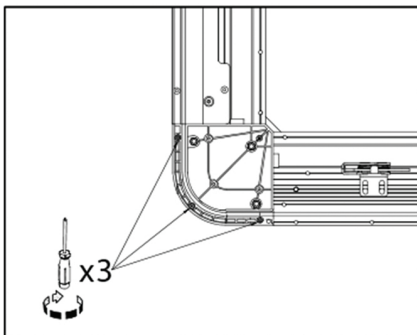
UpStoneEvolve

INSTALLATION INSTRUCTIONS WITH ROLL BAR

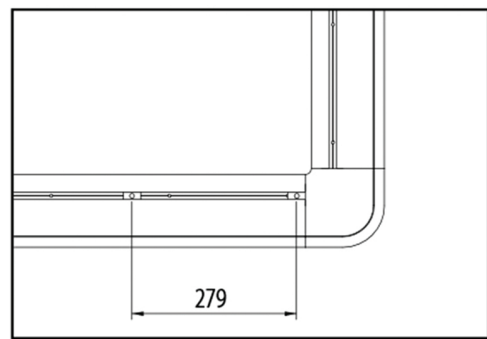
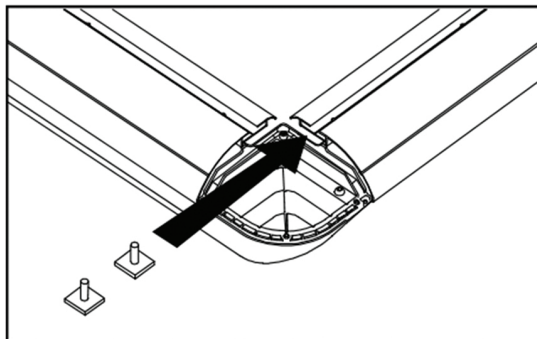
RLB76



- 1** Remove caps by unscrewing the 3 screws in the back corner both left and right.



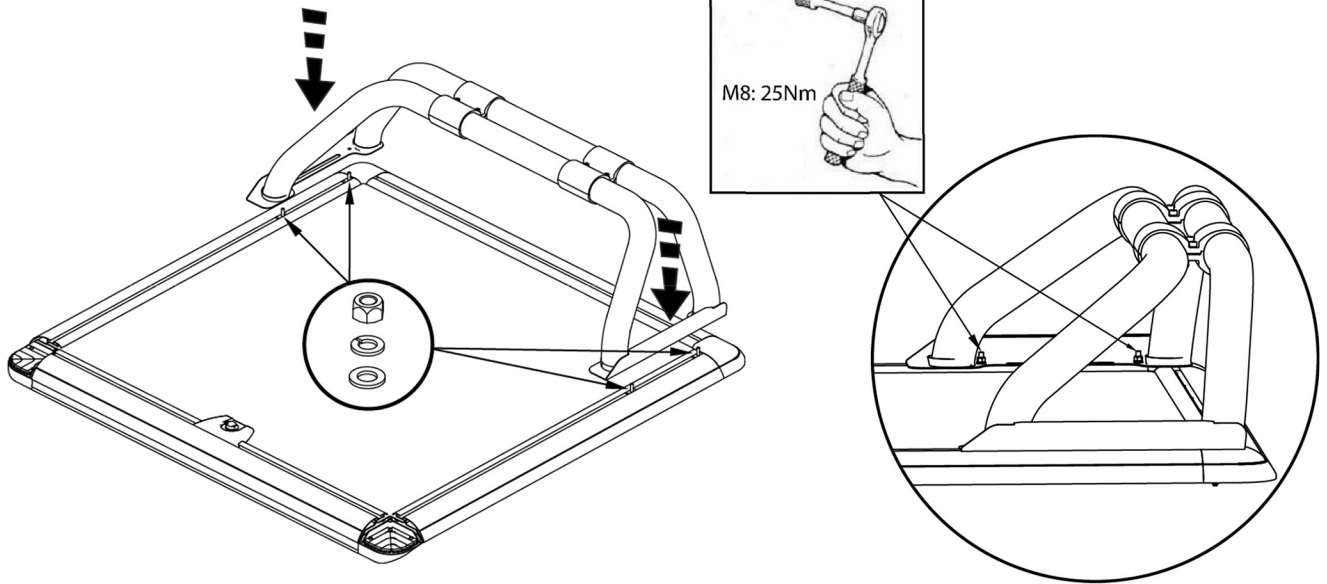
- 2** Insert 2 x Square bolts in both the left and right rails.



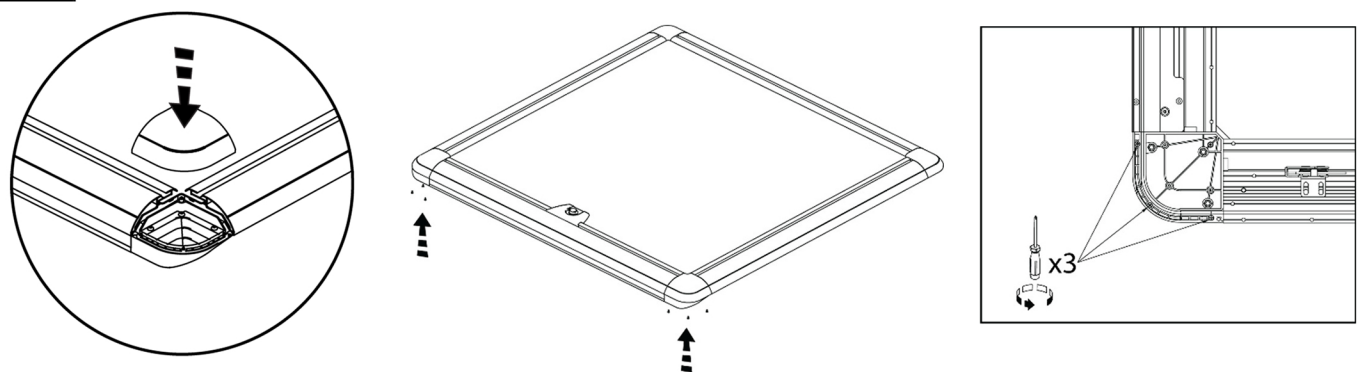
Fitting Kit Number	Product	Revision	Date	Page
RLB76F	Medium SS Bar	1	29.09.2017	1 of 2

3

Place the sport bar onto the cover aligning the holes on the foot plate with the square bolts inserts.
Fix with nut, spring washer and washer.

**4**

Replace the caps on the covers corners



Fitting Kit Number	Product	Revision	Date	Page
RLB76F	Medium SS Bar	1	29.09.2017	2 of 2

UpStoneEvolve

Info@upstone.fr

ROAD RANGER®

VIELSEITIGKEIT DURCH DESIGN & AUSSTATTUNG VARIETY IN DESIGN & CONFIGURATION

Änderungen vorbehalten. Abbildungen können vom endgültigen Produkt abweichen.
Sämtliche Abbildungen / Fotos sind Eigentum der
Dr. Höhn GmbH, Künzelsauer Straße 13, 74653 Ingelfingen,
T: + 49 (0) 79 40 92 02-0, roadranger@hoehn.de

Subject to change. Pictures may differ from the final product.
All images / photos property of
Dr. Höhn GmbH, Künzelsauer Straße 13, 74653 Ingelfingen,
T: + 49 (0) 79 40 92 02-0, roadranger@hoehn.de

Für weitere und immer aktuelle Informationen können Sie uns gerne unter
www.roadranger.de besuchen.

For more details and updated information please visit www.roadranger.de.

Ihr Road Ranger Team
Your Road Ranger Team

GESTALTUNG UND GRAFIKDESIGN
GRAPHIC DESIGN

christina richter visuelle kommunikation, stuttgart
www.christina-richter.com

Bestätigung Nr.:	16-00119-CP-BWG-01	(Stand 08/16)
Hersteller:	Dr.Höhn GmbH	
Typ:	Ladeflächenabdeckung	Seite 1 von 2

Gutachterliche Stellungnahme zur Vorlage bei der Technischen Prüfstelle oder anderen Überwachungsorganisationen

Betreff: Ladeflächenabdeckungen an LKW der Klasse N1
Dr. Höhn GmbH
Künzelsauer Strasse 13
D – 74653 Ingelfingen

Der Anbau von Laderaumabdeckungen an LKW offener Kasten ist gem. § 19 (Beispielkatalog) unter folgenden Randbedingungen *nicht* abnahmepflichtig:

- Die Fahrzeugteile ragen nicht über die Fahrzeugaußenkontur hinaus.
- Die Fahrzeugteile sind nicht scharfkantig.
- Die Fahrzeugteile werden mittels Klemmhalterungen montiert und sind somit nicht dauerhaft fest mit dem Fahrzeug verbunden.

Unter den vorgenannten Bedingungen handelt es sich bei solchen Fahrzeugteilen um „Ladung“ bzw. um Ladungssicherung.

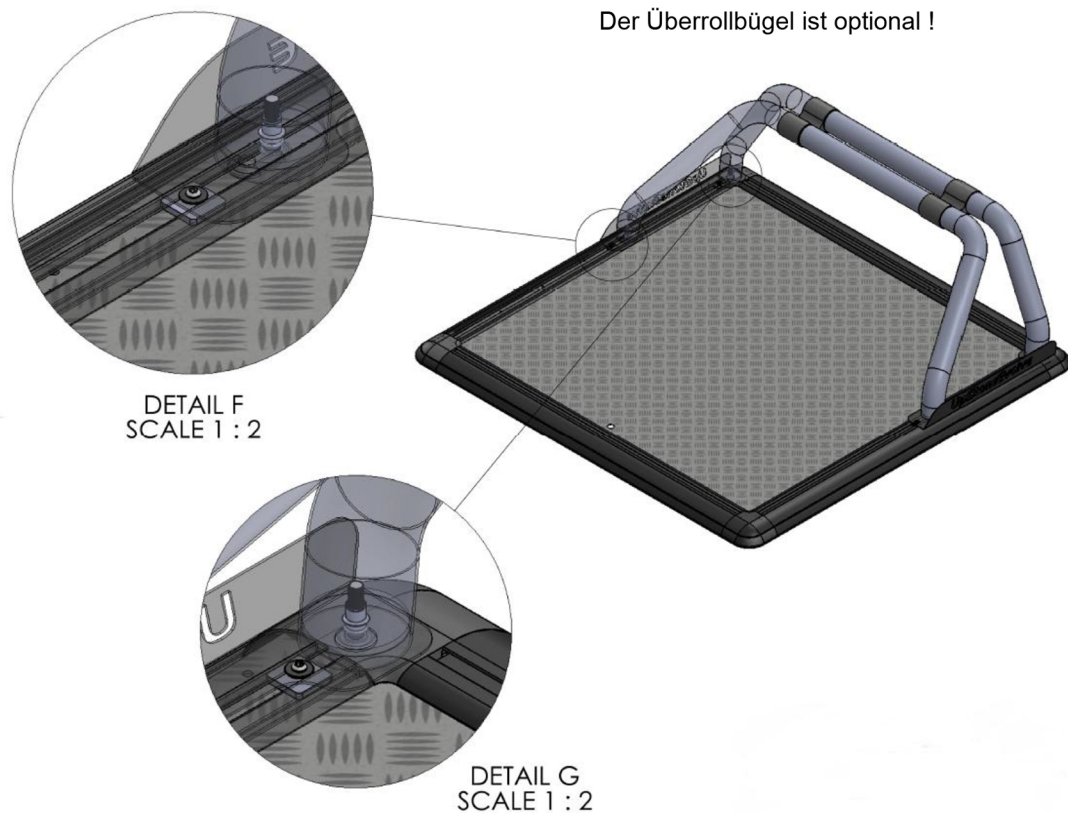


Bild:



Bestätigung Nr.:	16-00119-CP-BWG-01	(Stand 08/16)
Hersteller:	Dr.Höhn GmbH	
Typ:	Ladeflächenabdeckung	Seite 2 von 2

Verwendungsbereich und Zuordnung

ALUMINIUM COVER	
Art. Nr.:	Verwendungsbereich:
H223	ALUMINIUM TONNEAU COVER TOYOTA HILUX/VIGO DBLE CAB 2006+
H222	ALUMINIUM TONNEAU COVER TOYOTA HILUX/VIGO EXTRA CAB 2006+
H228	ALUMINIUM TONNEAU COVER MITSUBISHI L200 LONG BED DOUBLE CAB 2010+
H226	ALUMINIUM TONNEAU COVER NISSAN D40 DOUBLE CAB 2005+
H465	ALUMINIUM TONNEAU COVER NISSAN NP300 DOUBLE CAB 2016+
H466	ALUMINIUM TONNEAU COVER NISSAN D40 DOUBLE CAB 2005+
H219	ALUMINIUM TONNEAU COVER FORD RANGER 2012+ DOUBLE CAB
H220	ALUMINIUM TONNEAU COVER FORD RANGER 2012+ SUPER CAB
H220	ALUMINIUM TONNEAU COVER MAZDA BT50 2012+ SUPER CAB
H480	ALUMINIUM TONNEAU COVER NISSAN D40 KING CAB C-CHANNEL 2005+
H231	ALUMINIUM TONNEAU COVER ISUZU D-MAX SPACE CAB-2011
H479	ALUMINIUM TONNEAU COVER MITSUBISHI L200 CLUB CAB 2006+
H221	ALUMINIUM TONNEAU COVER VOLKSWAGEN AMAROK DBLE CAB 2010+
H477	ALUMINIUM TONNEAU COVER TOYOTA HILUX/REVO DOUBLE CAB 2016+
H478	ALUMINIUM TONNEAU COVER TOYOTA HILUX/REVO EXTRA CAB 2016+
H224	ALUMINIUM TONNEAU COVER NISSAN D40 DOUBLE CAB LONG BED 2010+
H304	ALUMINIUM TONNEAU COVER L200 DOUBLE CAB 2016+
H306	ALUMINIUM TONNEAU COVER L200 CLUB CAB 2016+
H230	ALUMINIUM TONNEAU COVER ISUZU D-MAX 2012+ CREW CAB
H229	ALUMINIUM TONNEAU COVER ISUZU D-MAX 2012+ SPACE CAB
H299	ALUMINIUM TONNEAU COVER FIAT FULLBACK DOUBLE CAB 2016+
H305	ALUMINIUM TONNEAU COVER FIAT FULLBACK EXTRA CAB 2016+
H219	ALUMINIUM TONNEAU COVER FORD RANGER 2016+ DOUBLE CAB
H220	ALUMINIUM TONNEAU COVER FORD RANGER 2016+ SUPER CAB

AS-CRC-BW/FIL; Filderstadt, den 22. 08. 2016,



Dipl.- Ing.(FH) Schwarz

Der amtlich anerkannte Sachverständige
 für den Kraftfahrzeugverkehr