

# CONTAINER BODIES

## PREMIUM BACKPACK



**ROAD RANGER®**

**DR. HÖHN**

**MobilCar**  
zabudowy samochodów użytkowych

VOLKSWAGEN T6

# VW T6 CONTAINER BODY (SC - SINGLE CAB)



## MOUNTING:

» Product ready for mounting on the vehicle frame (wiring system, closed door sensors, storage compartment between frame sections, complete assembly kit)

» Equipment: lockable aluminium side blinds, lockable ABS rear door.

» Customised interior furnishing based on Sortimo components.

» As an option, systems to carry loads and specialist equipment, ladder carriers, roof luggage racks, etc. can be mounted on the body roof.

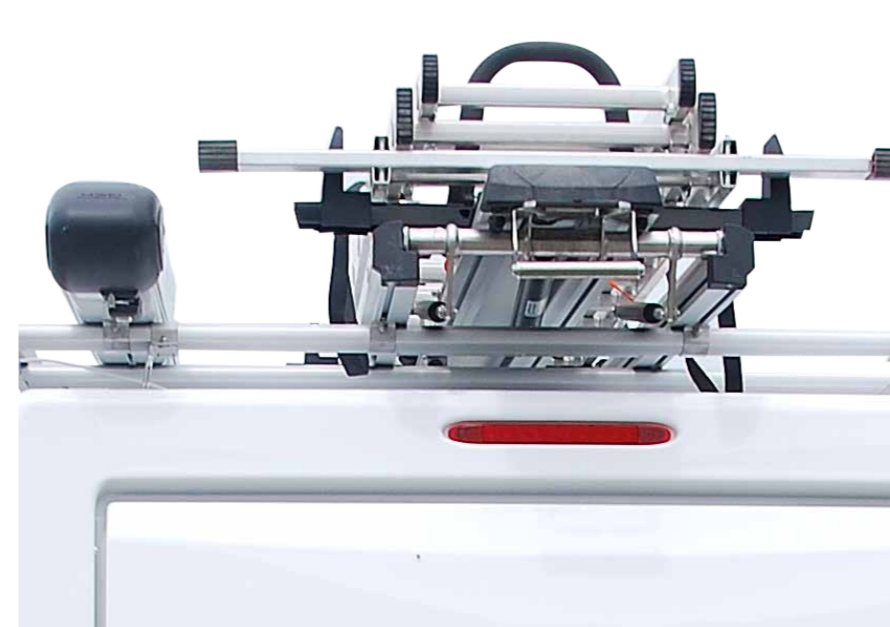
The body is mounted directly on to the vehicle load-bearing structure and the floor panel without having to drill through it, using the MaxxiSpaceFrame System. This system was developed by SORTIMO engineers to avoid interfering with the vehicle bodywork in such a crucial place as its floor.

## GENERAL INFORMATION

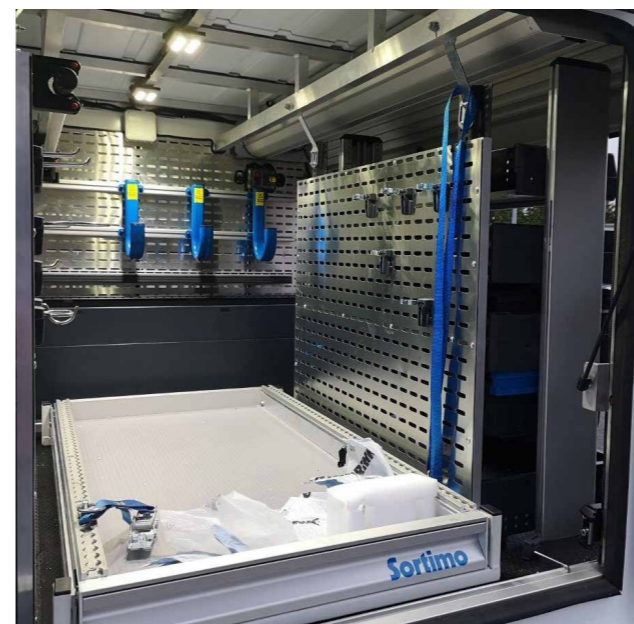
PRICING	Individual pricing
MOUNTING	By the customer himself at their premises or on the vehicle supplied to RoadRanger
TRANSPORT OPTIONS	Shipment to the specified address or delivery of the vehicle to the RoadRanger's headquarters - costs to be confirmed on an individual basis.
WARRANTY	Vehicle - the vehicle manufacturer's warranty conditions will apply. Our container bodies come with 24-month warranty.
TERMS AND CONDITIONS OF ORDER FULFILMENT	4 weeks from the date of order for delivery to the customer's site 5 weeks in the case of vehicle adaptation at the RoadRanger factory
CERTIFICATES AND STANDARDS	<ul style="list-style-type: none"> <li>• ECE R14, ECE R16, ECE R17</li> <li>• ISO27956 , 2007/46/EC</li> </ul>

- ABS plating resistant to weather conditions and UV
- Aluminium side blinds with large loading hole, lockable
- Aluminium frame-based structure
- Lockable rear door also acting as a roofing
- Additional storage compartment for long items under the floor

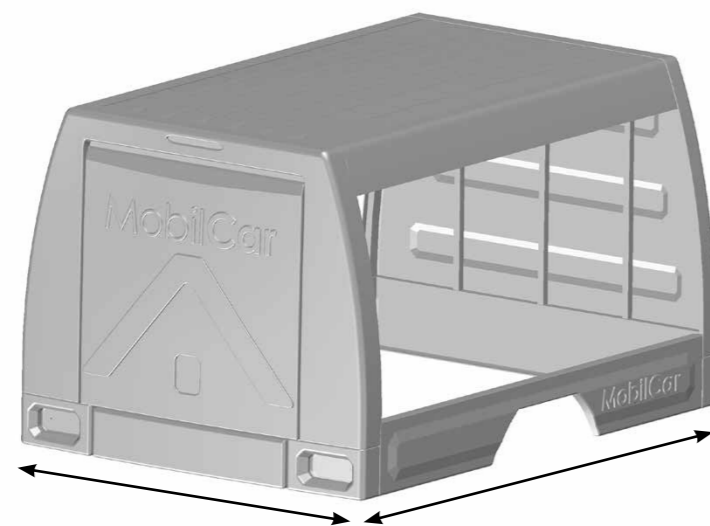
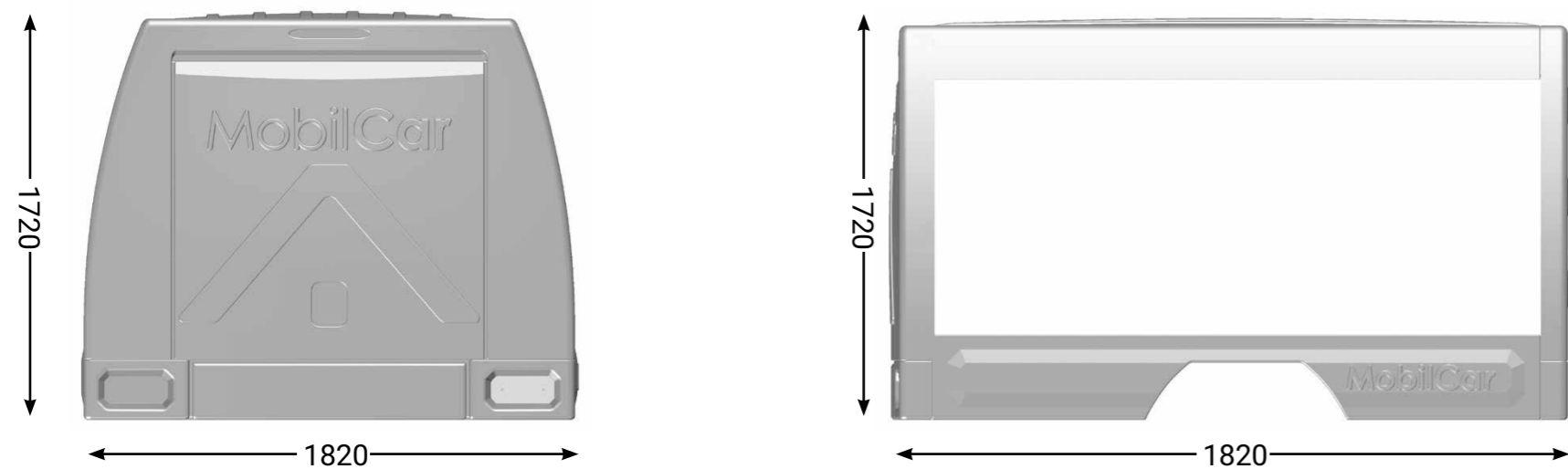
- Roof luggage rack
- Electric pole tubes
- Ladder carrying systems
- Working platforms
- Transport buckets
- Specialist interior furnishing



- Unlimited configuration possibilities
- High resistance to weather conditions
- Optimum use of truck bed
- Possible customised interior furnishing
- Optional exterior lights
- Optional external storage compartments
- Uncomplicated assembly
- Certification and type-approval generally applicable in the EU



- Energy configuration
- Service configuration
- Technical support configuration
- Road assistance configuration
- Construction sector configuration
- Cleaning car configuration



**ROAD RANGER®**

**DR. HÖHN**

**Contact:**

Dr. Höhn GmbH  
Künzelsauerstr. 13  
DE-74653 Ingelfingen

Phone: +49 (0) 7940 9202-0  
E-mail: [roadranger@hoehn.de](mailto:roadranger@hoehn.de)

**MobilCar**  
zabudowy samochodów użytkowych

