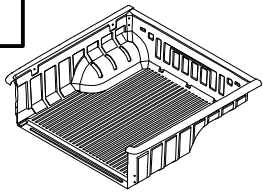
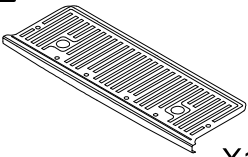
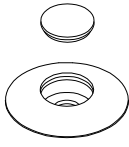
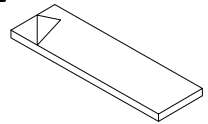
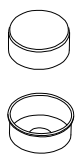
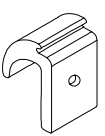
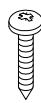
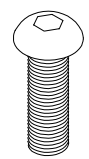
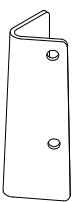
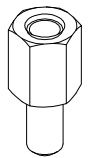
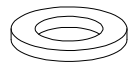
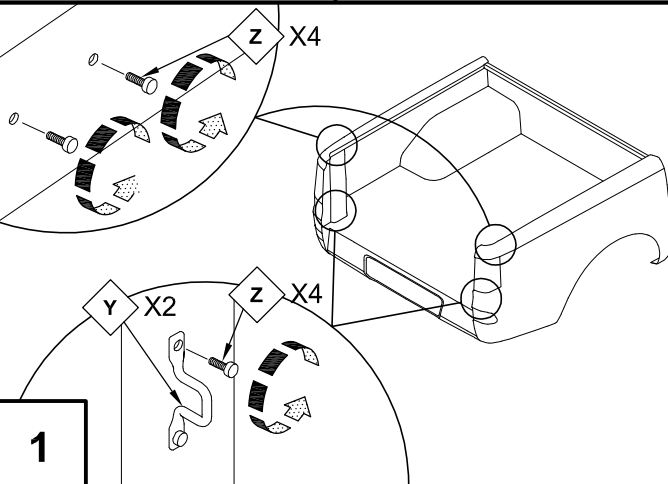
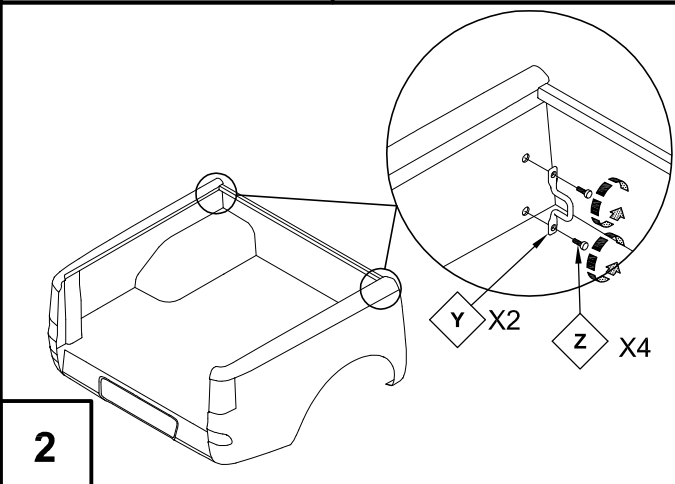
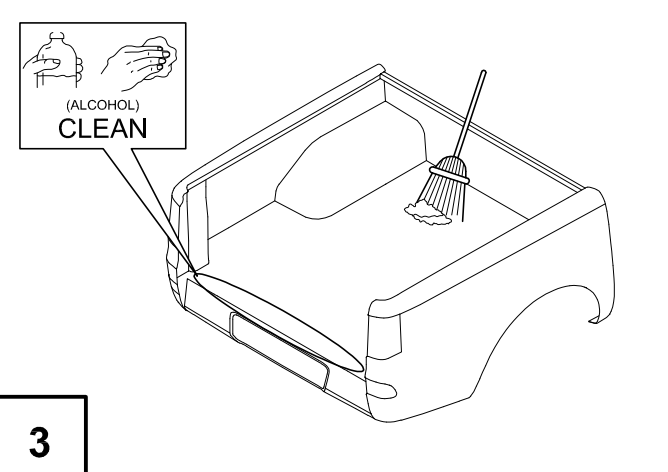
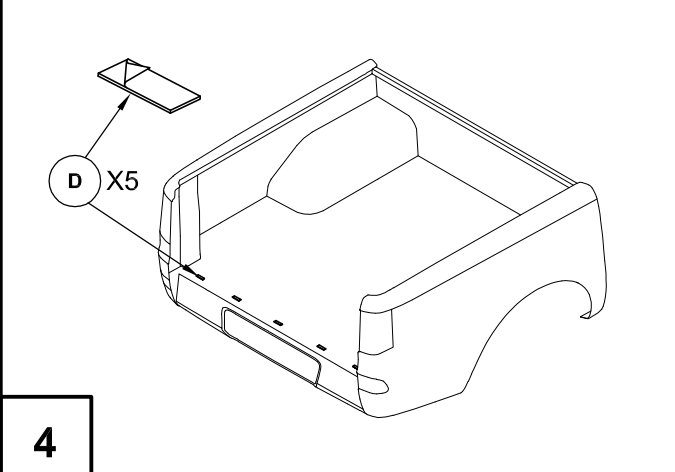
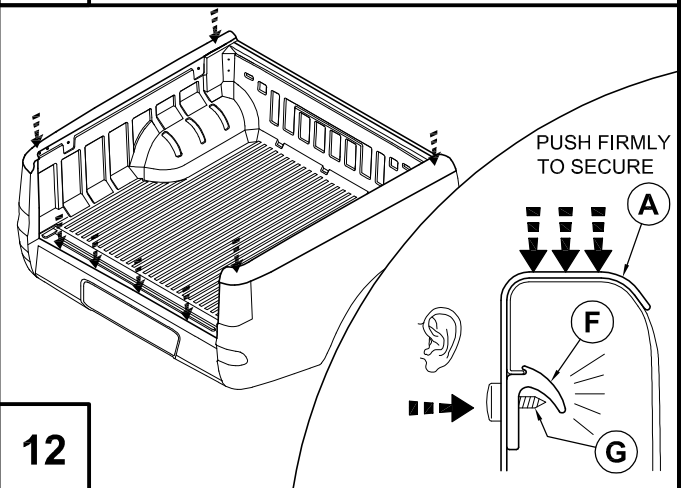
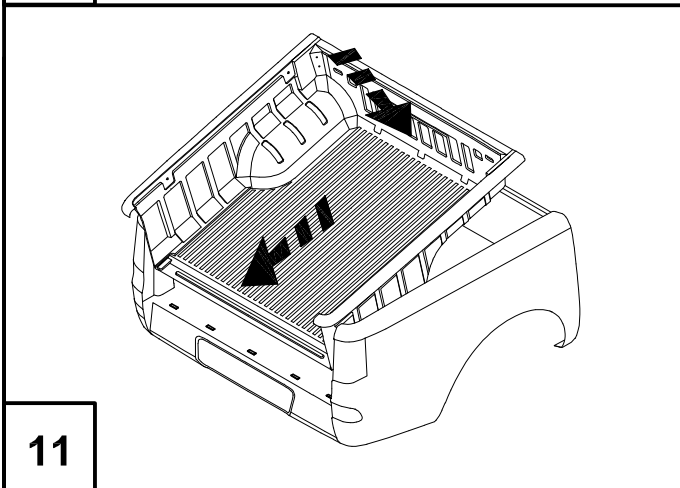
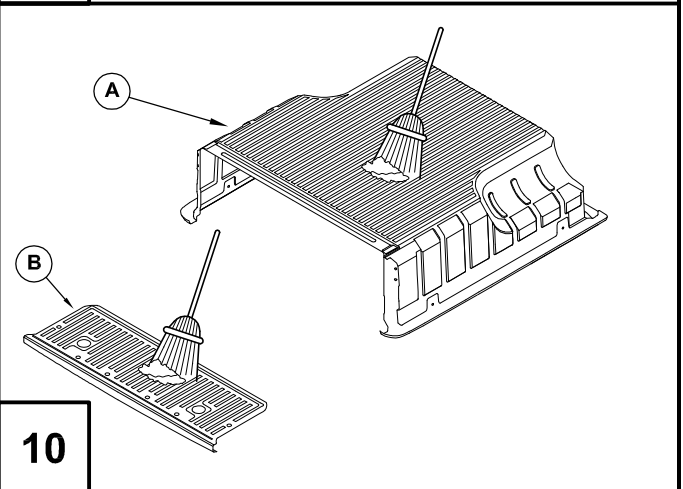
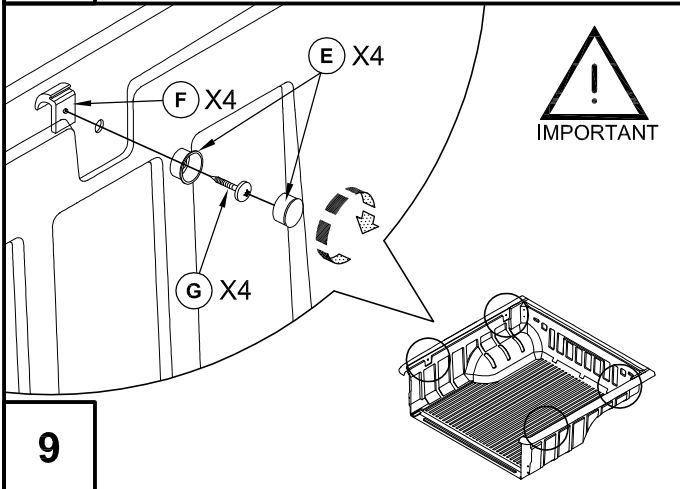
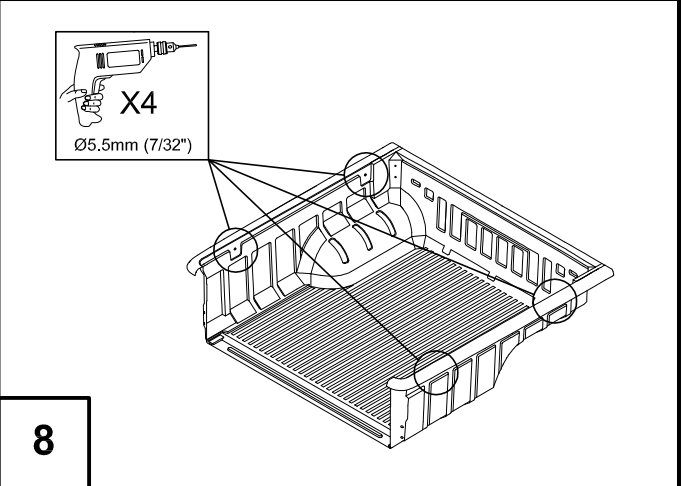
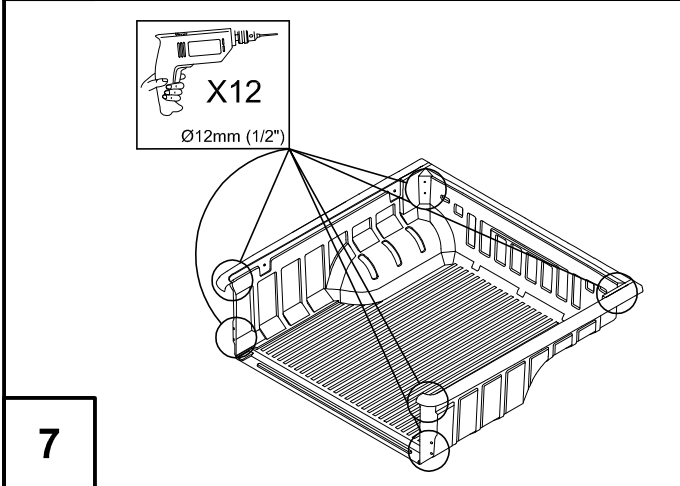
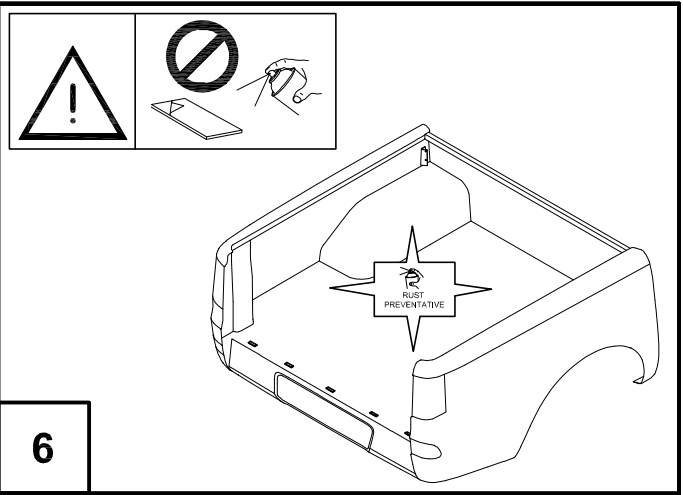
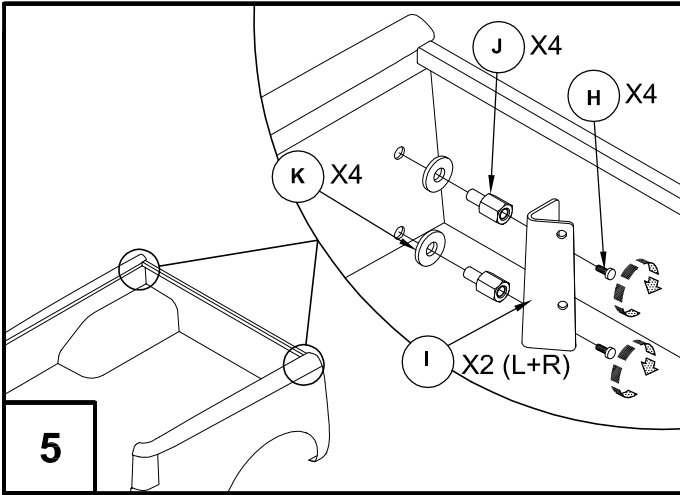




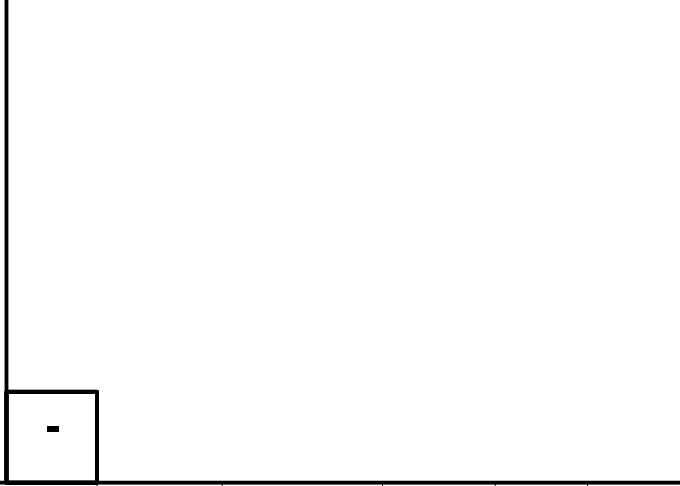
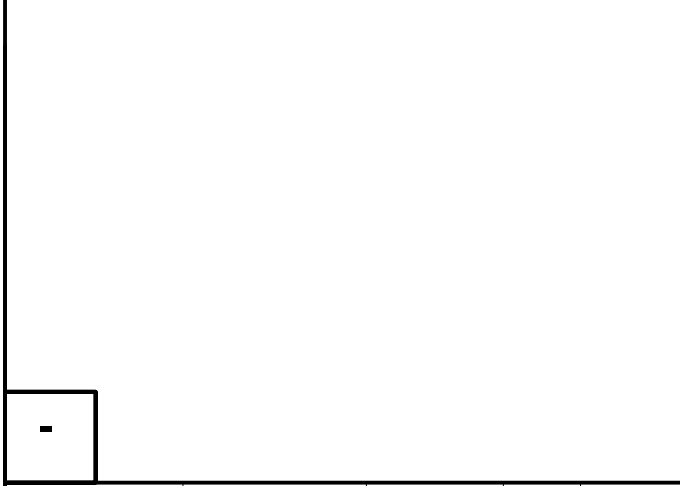
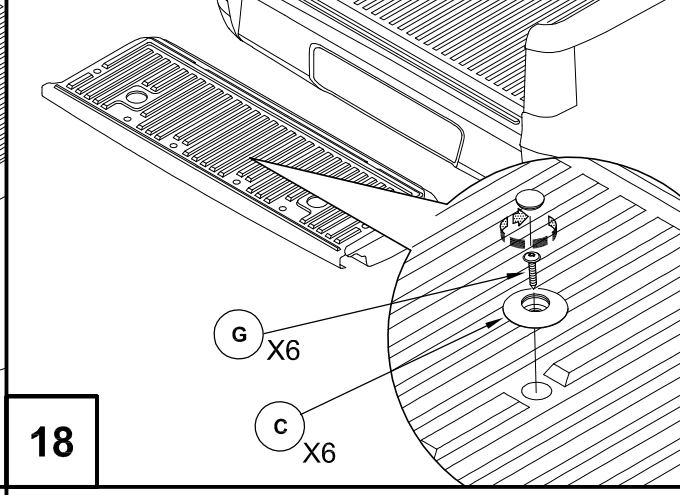
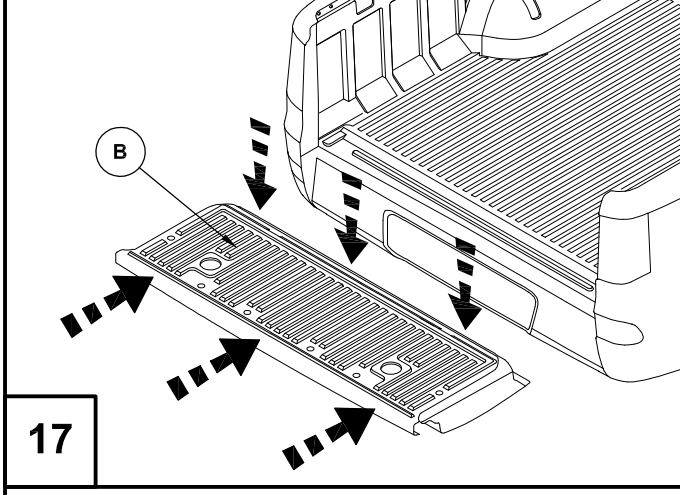
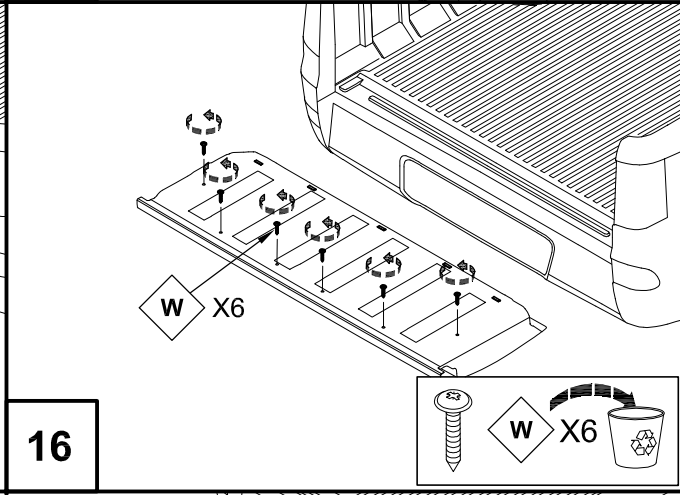
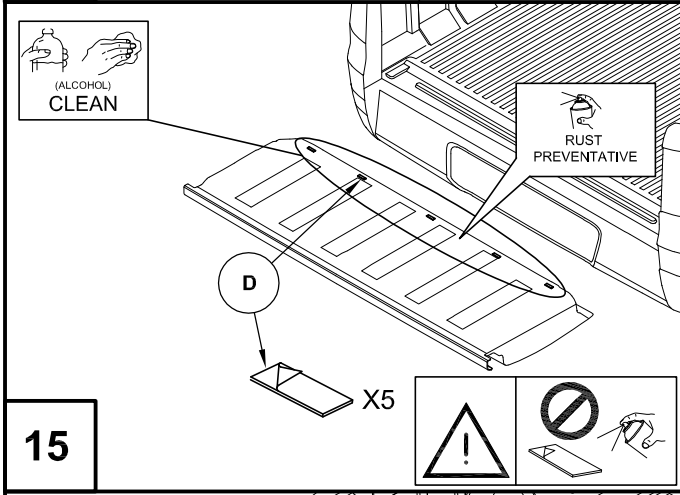
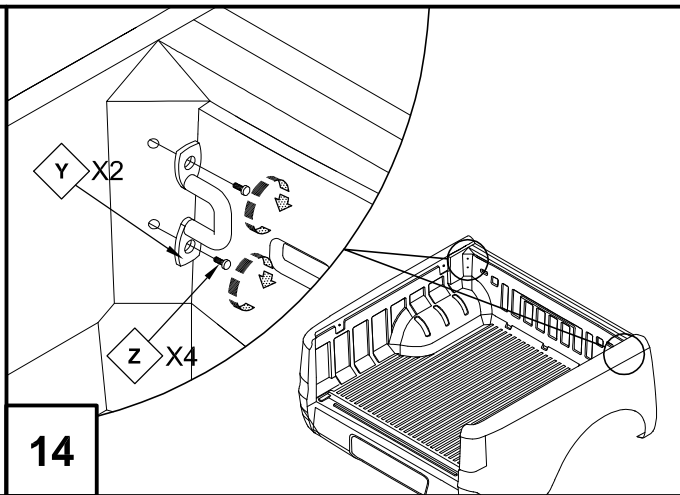
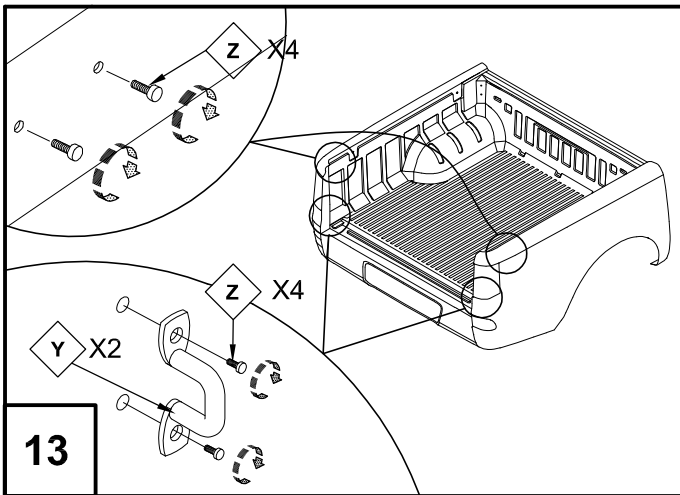
INSTALLATION INSTRUCTIONS (K565)
Over Rail Liner
Isuzu-D Max-2012-Double Cab

A	B	C	D
 X1	 X1	 X6	 X10
E	F	G	H
 X4	 X4	 10x3/4" X10	 M8x12mm X4
I	J	K	RETAIN INSTRUCTIONS
 X2 (L+R)	 M8x33mm X4	 M10x25mm X4	<p>◆ = EXISTING PART</p> <p>○ = NEW PART</p>
1		2	
			
3	4		
			

Fitting Kit Number	Manufacturer	Model Type	Year	Stockist	Cab Size	Product	Revision	Date	Page
IDFK565	Isuzu	D Max	2012	General Use	DC	OR Liner	5	11-10-12	1 of 3



Fitting Kit Number	Manufacturer	Model Type	Year	Stockist	Cab Size	Product	Revision	Date	Page
IDFK565	Isuzu	D Max	2012	General Use	DC	OR Liner	5	11-10-12	2 of 3



Fitting Kit Number	Manufacturer	Model Type	Year	Stockist	Cab Size	Product	Revision	Date	Page
IDFK565	Isuzu	D Max	2012	General Use	DC	OR Liner	5	11-10-12	3 of 3