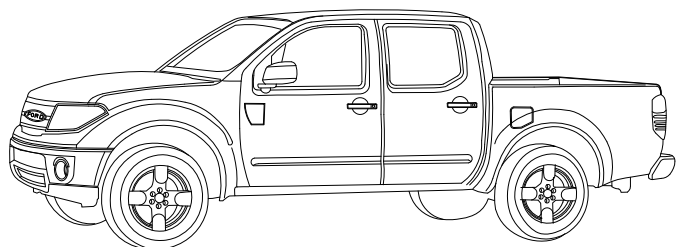
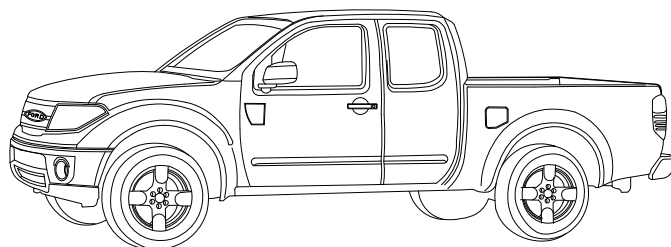




2012 FORD RANGER



DOUBLE CAB LG127M



EXTENDED CAB LG129M

GB ROLL-N-LOCK Tonneau Cover

BG ROLL и LOCK Tonneau Cover

HR Roll i LOCK pokrovom

CZ ROLL a LOCK kryt zavazadlového prostoru

DK ROLL-N-LOCK Tonneau Cover

NL BROODJE-N-SLOT de Dekking van Tonneau

FI RO-N-LOCK Tonneau kanssi

FR ROULEAU ET LOCK Tonneau Cover

DE ROLLEN sie und SCHLOB Tonneau Kappe

GR Κάλυψη Tonneau ρόλος-ν-ΚΛΕΙΔΑΡΙΩΝ

HU ROLL és LOCK platófedél

IS Rúlla og Læsa Tonneau Kápa

IT ROTOLO e SERRATURA Tonneau Coperta

NO ROLL-N-LOCK Tonneau Cover

PL ROLKI N-LOCK Tonneau Cover

PT ROLO E FECHADURA COBERTURA DE TONNEAU

RO ROLL și de a bloca Tonneau Cover

RU РУЛОН И ПОКРЫТИЕ TONNEAU ЗАМКА

SK ROLL A LOCK kryt batožinového priestoru

SI ROLL IN LOCK Tonneau Cover

ES RUEDE y la CERRADURA Tonneau Cubieta

SE ROLL-N-LOCK Tonneau Täcker

TR RULO-N-LOCK Tonneau Kapak

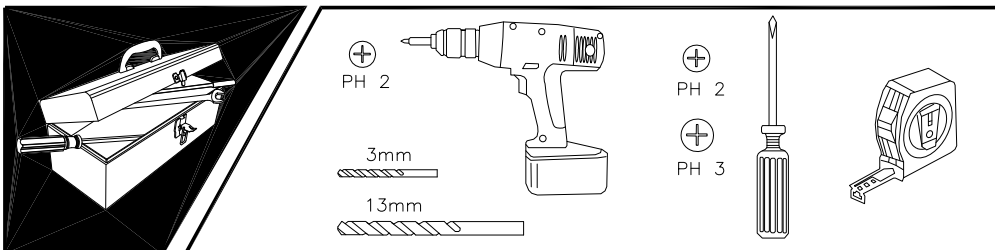
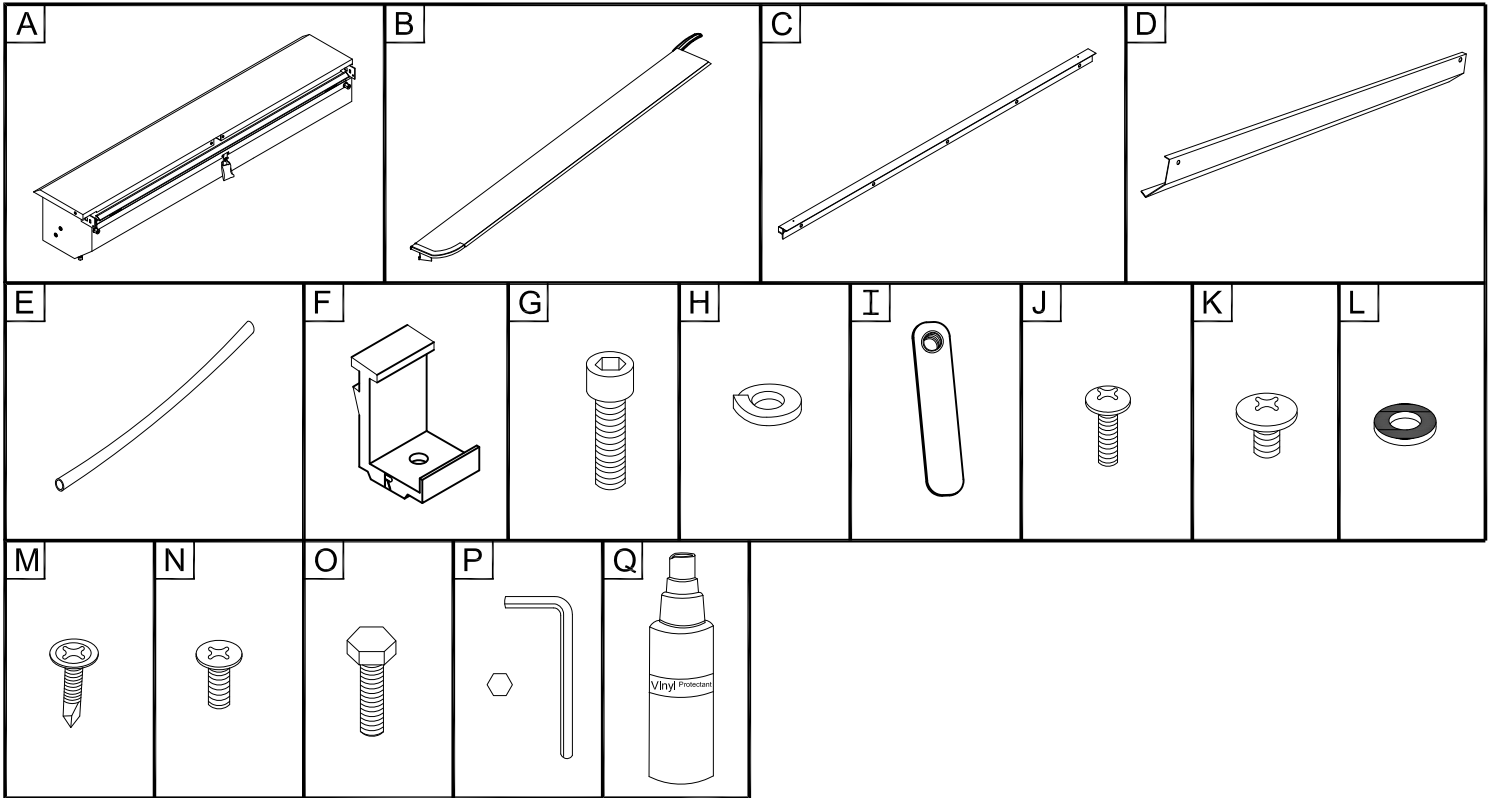
UA ROLL i замок кришки Tonneau

AR لفول لمشيت امك tonneau نيب خان لا

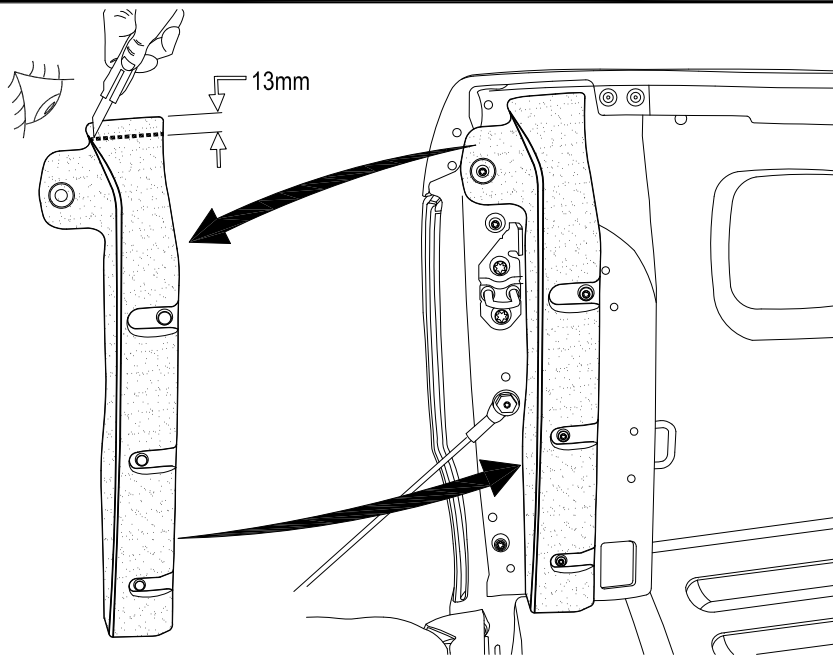
IL לור-N-לענ- לש רעש דומעט Tonneau

PARTS LIST

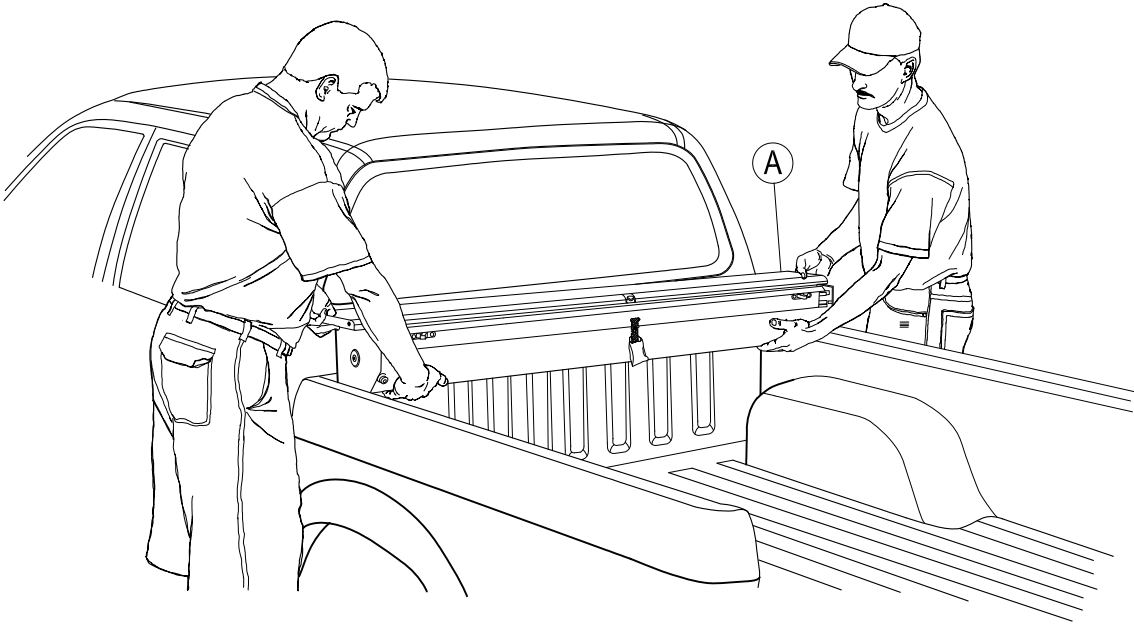
Item	Part Name	Qty.	Item	Part Name	Qty.	Item	Part Name	Qty.
A	Housing	1	G	5/16" Socket Cap Screw	6	M	#8 Tek Screw	5
B	Track	2	H	5/16" Lock Washer	6	N	Flat Head Lid Screw	2
C	Tailgate Extrusion	1	I	Cargo Nut	2	O	1/4-20 x 1" Bolt	2
D	Cargo Shield	1	J	#10-24 Screw	2	P	Allen Wrench	1
E	Drain Tube	2	K	1/4-20 x 3/8" Screw	4	Q	Vinyl Protectant	1
F	(R) Bed Clamp	6	L	Black Rubber Washer	4			



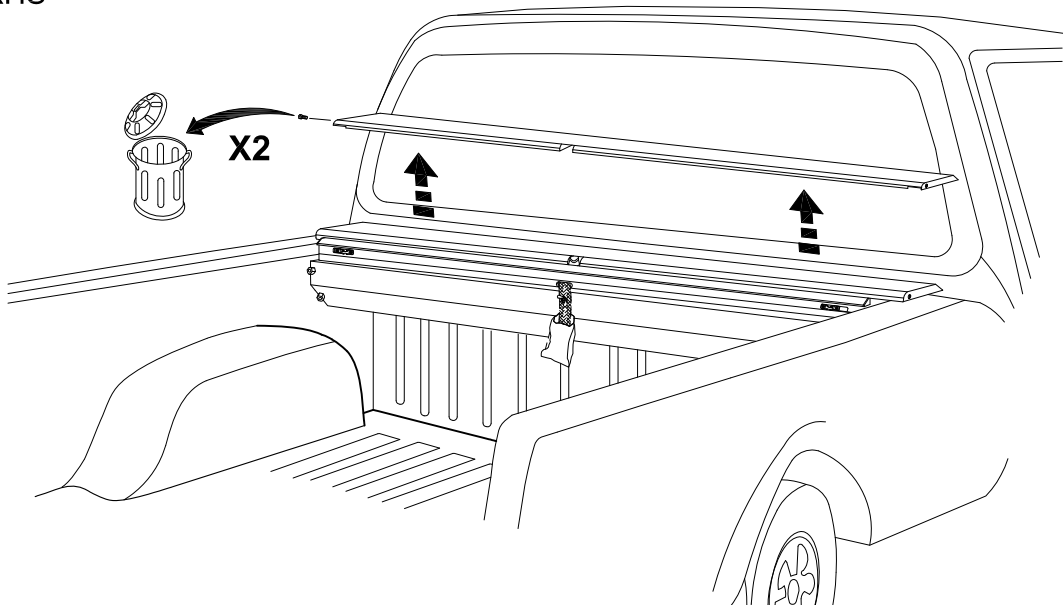
1 LHS = RHS



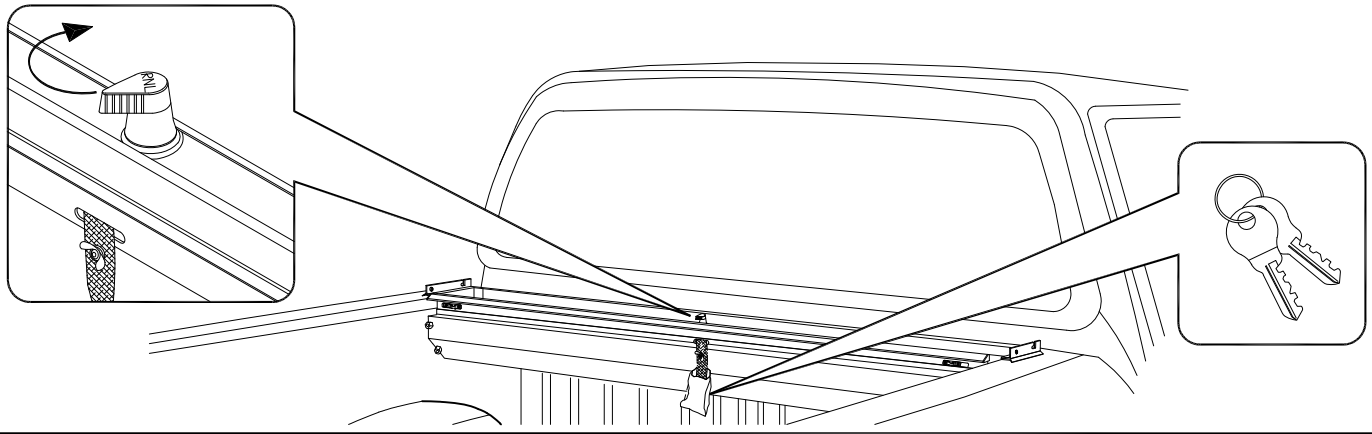
2



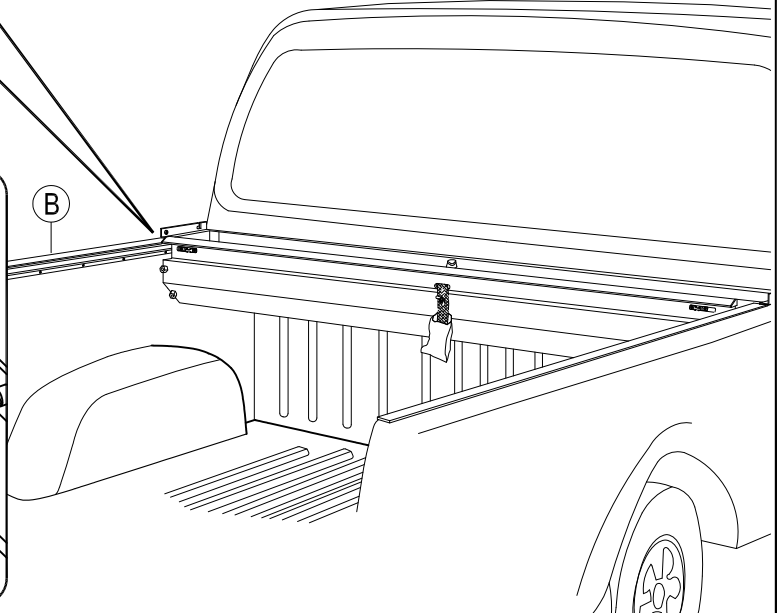
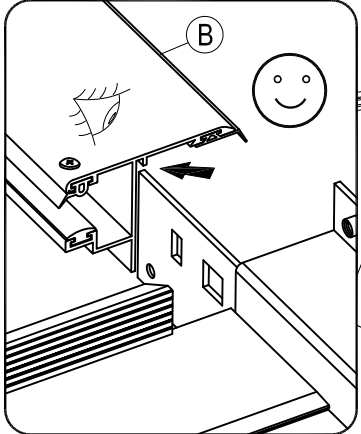
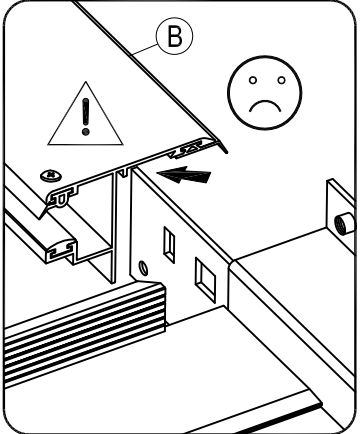
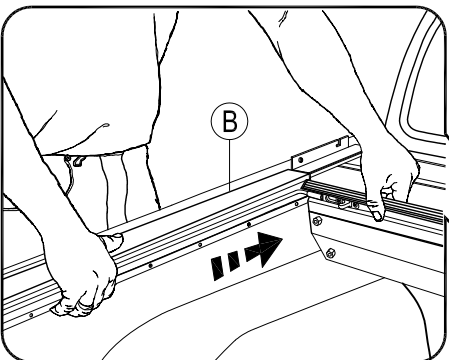
3 LHS = RHS



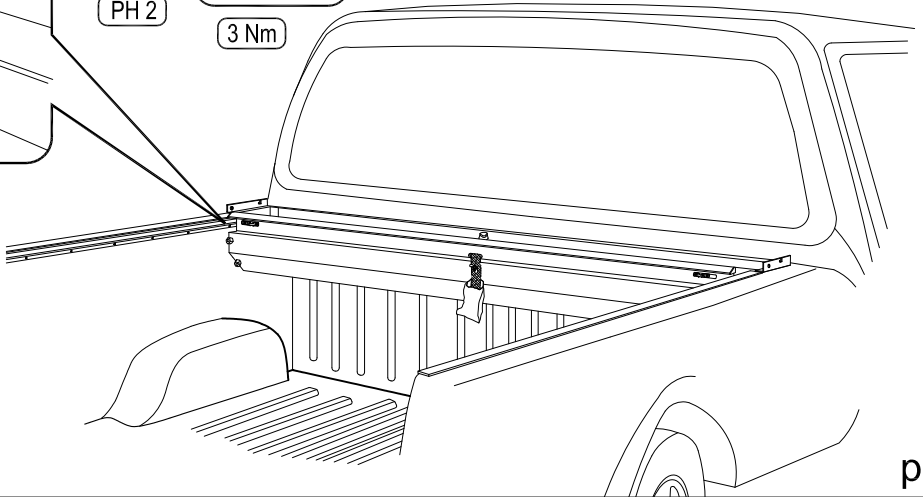
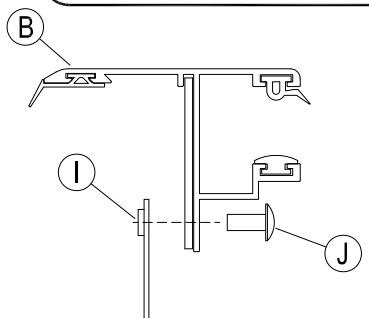
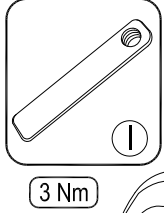
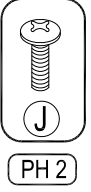
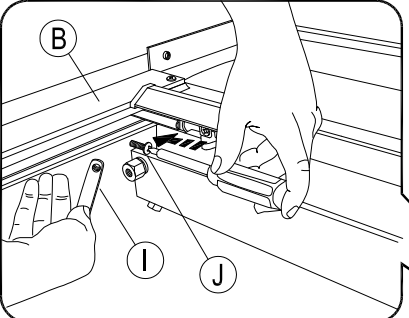
4

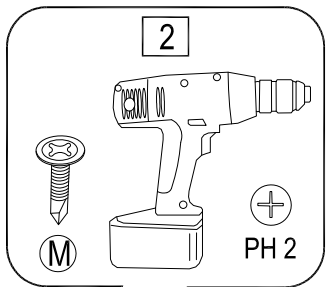
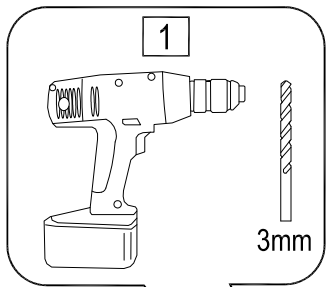
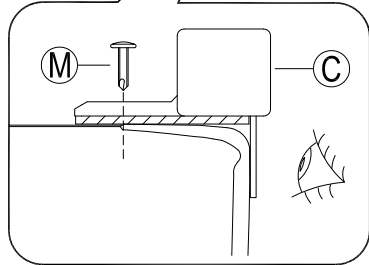
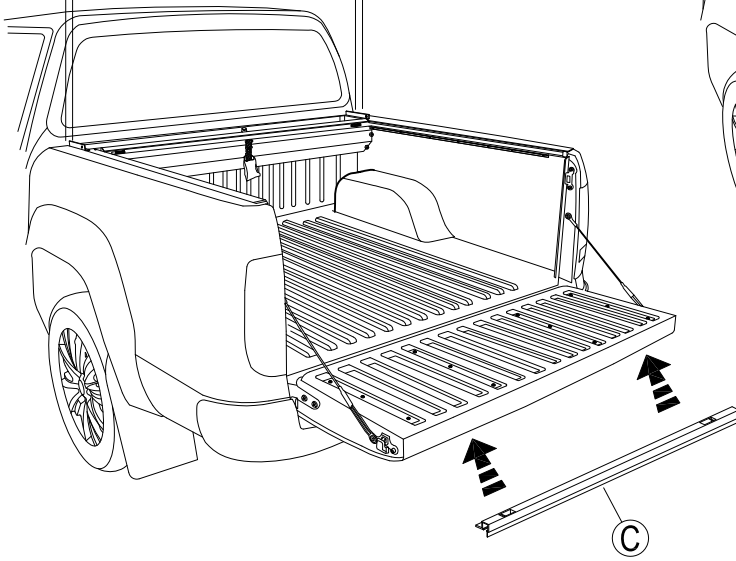
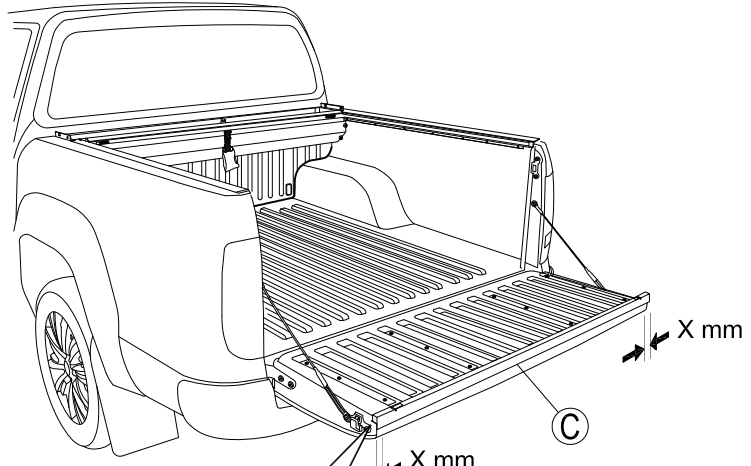
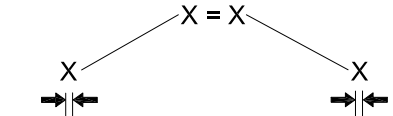
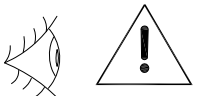


5 LHS = RHS

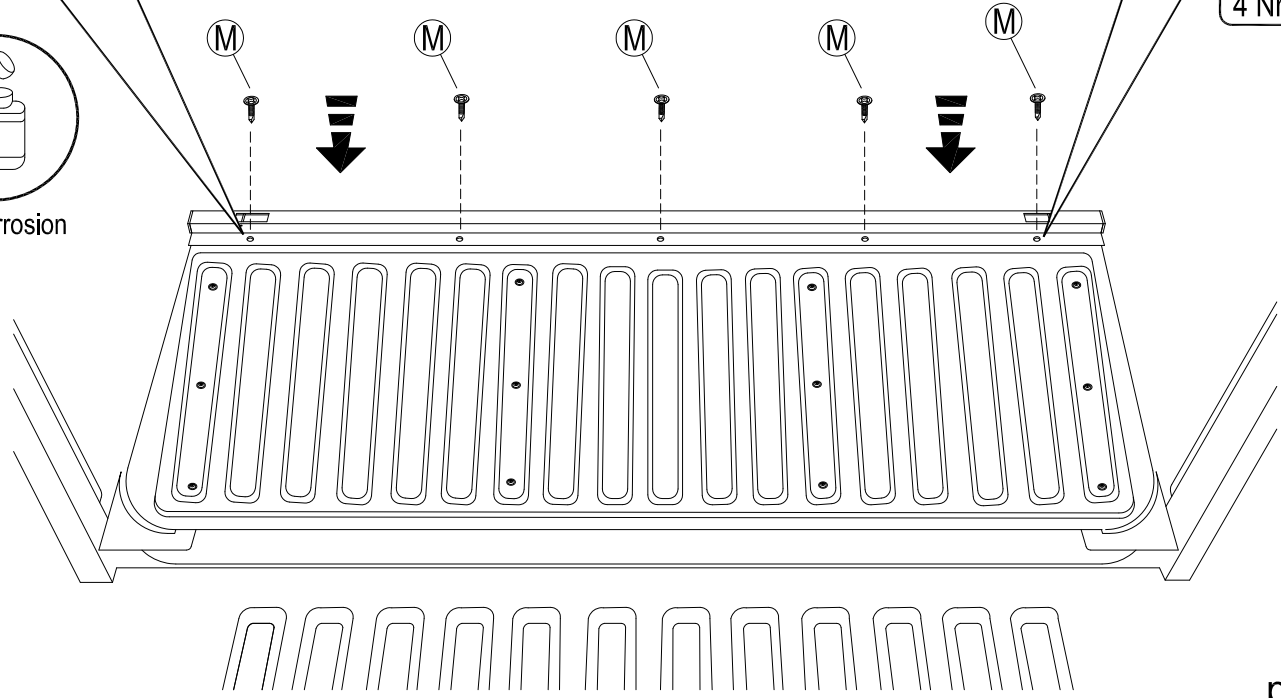


6 LHS = RHS



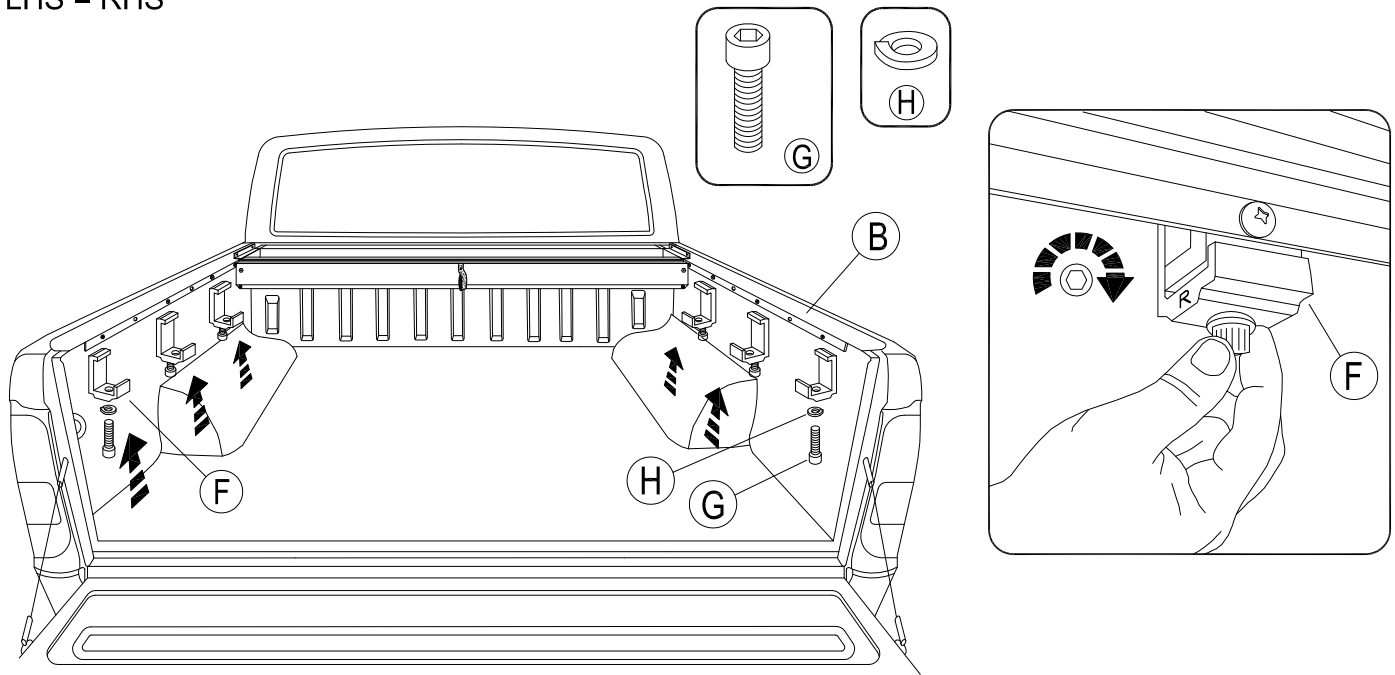


anti-corrosion

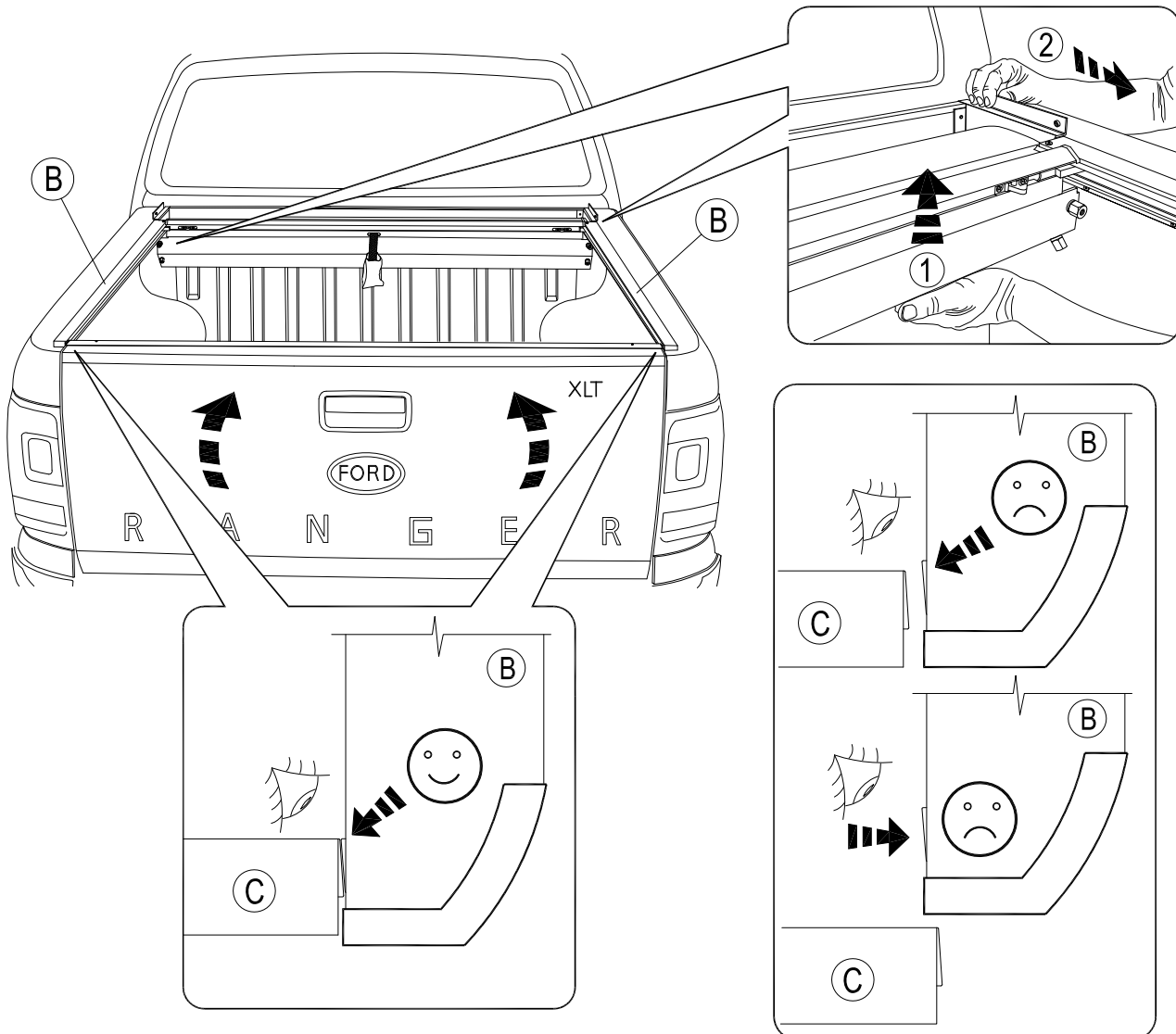


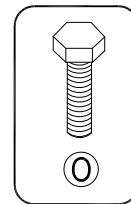
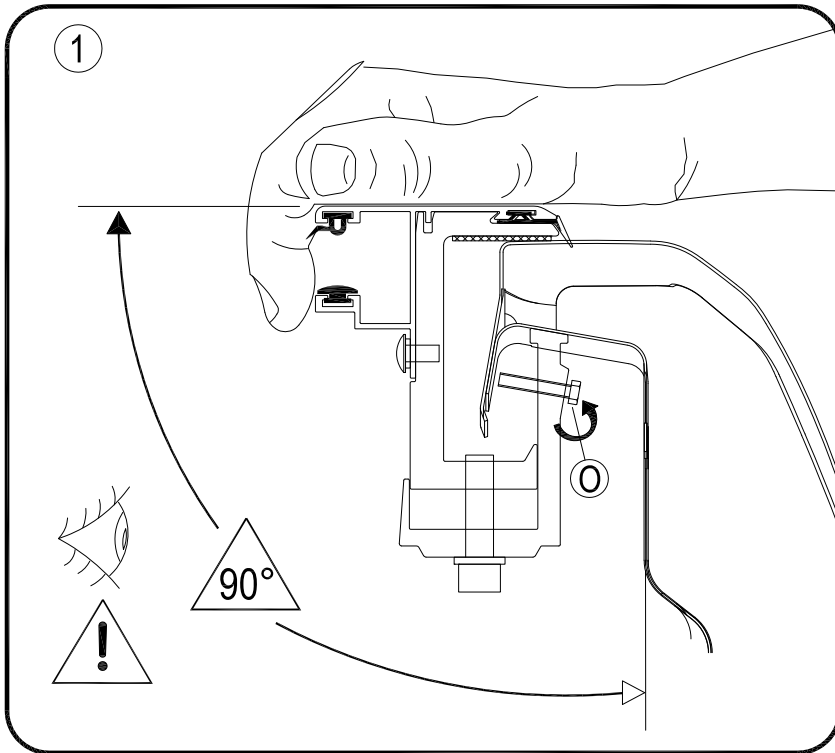
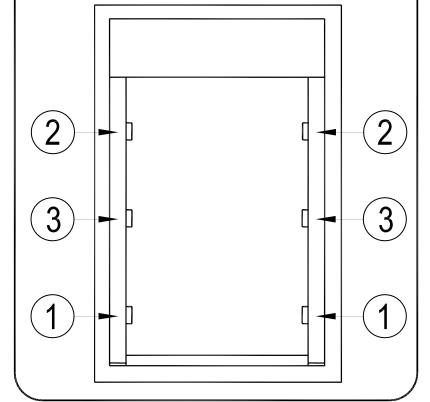
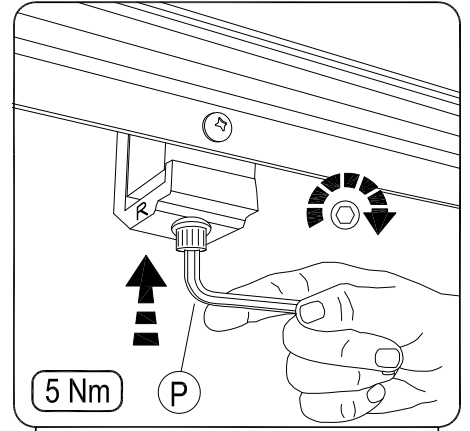
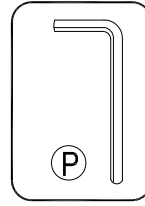
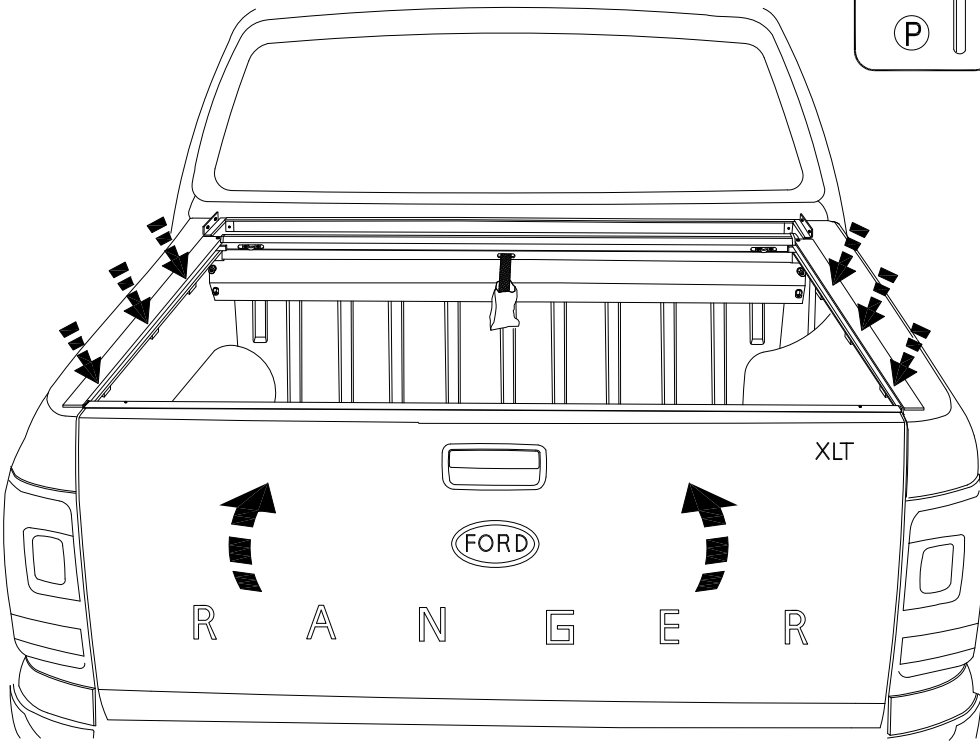
4 Nm

8 LHS = RHS

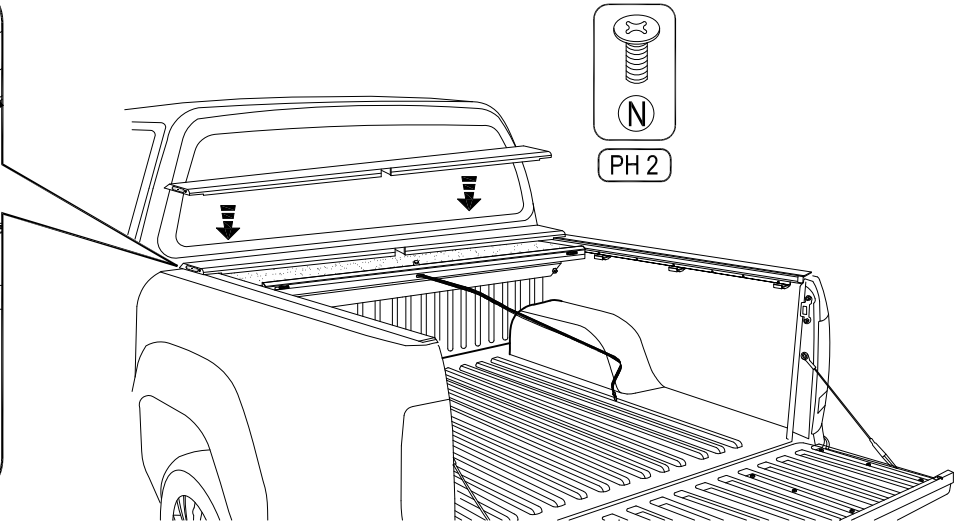
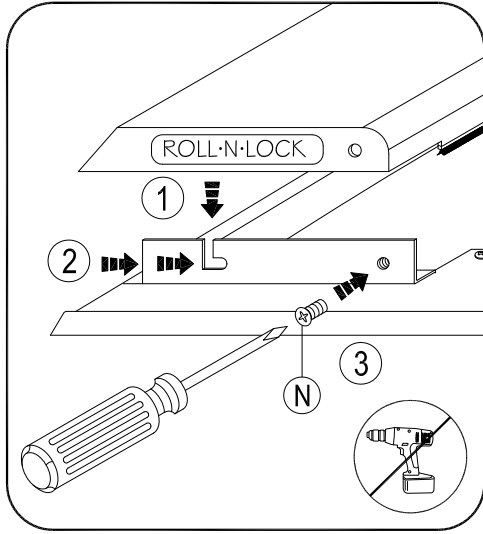
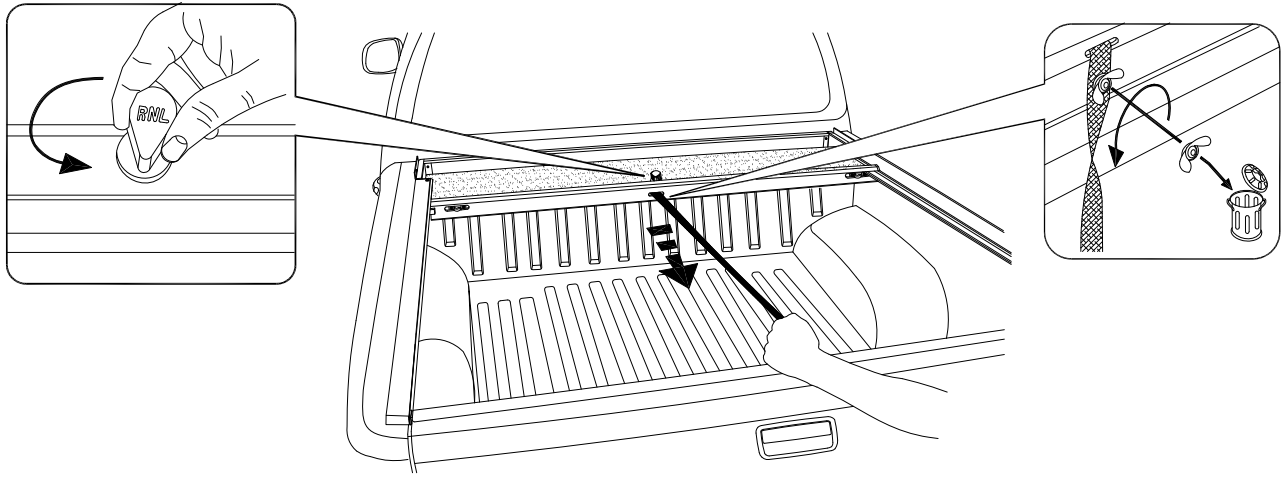


9 LHS = RHS

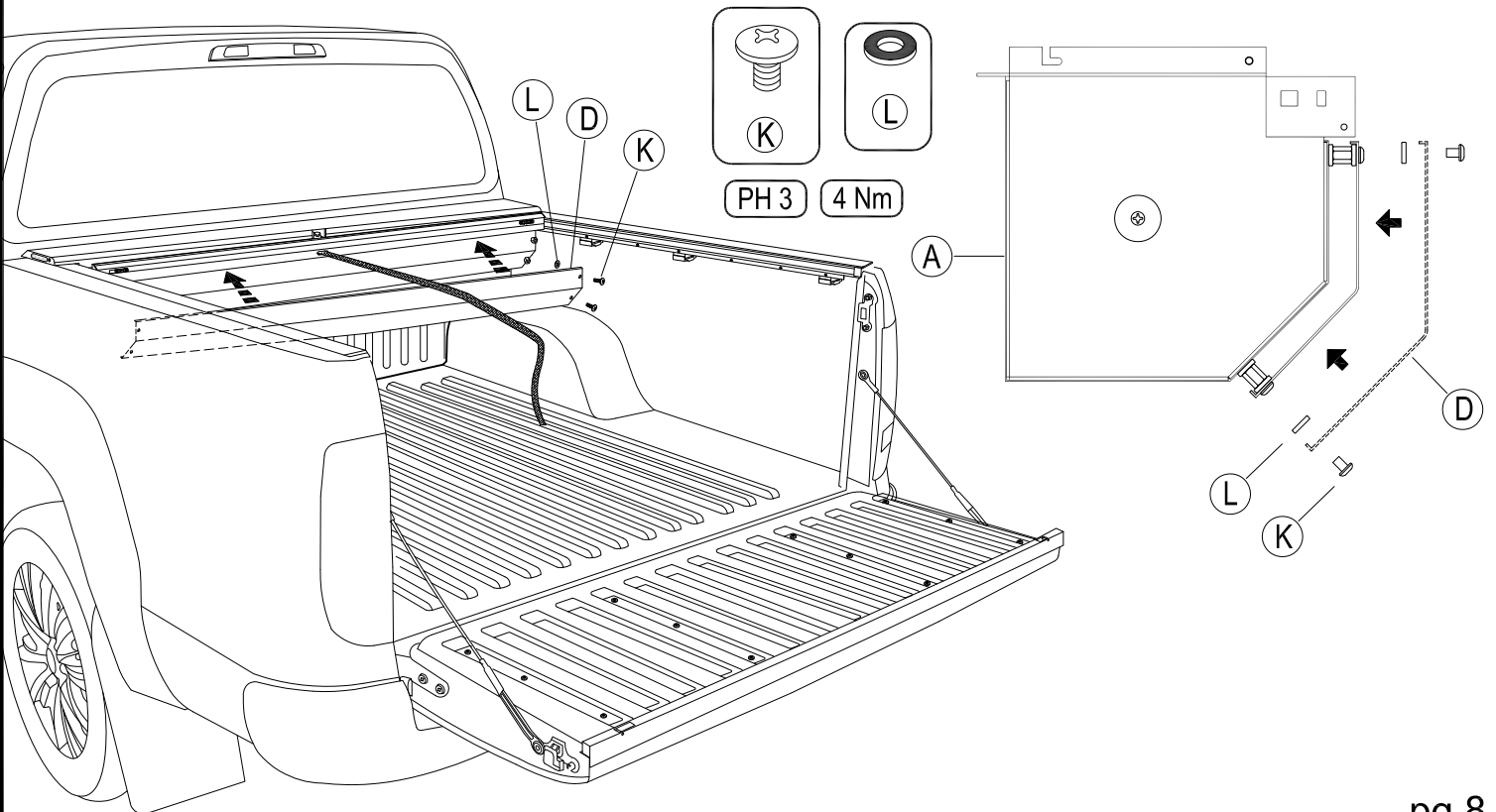


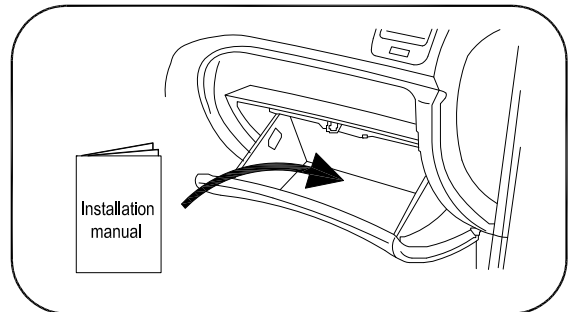
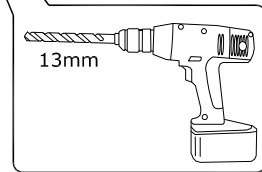
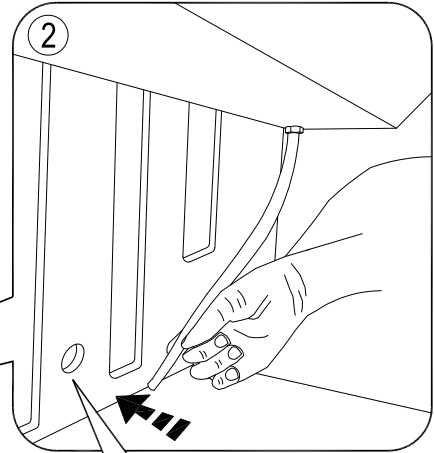
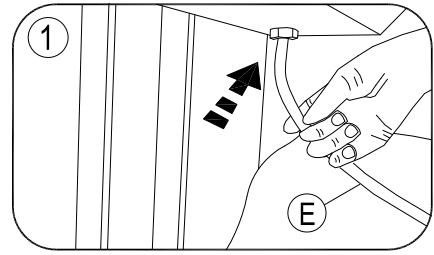
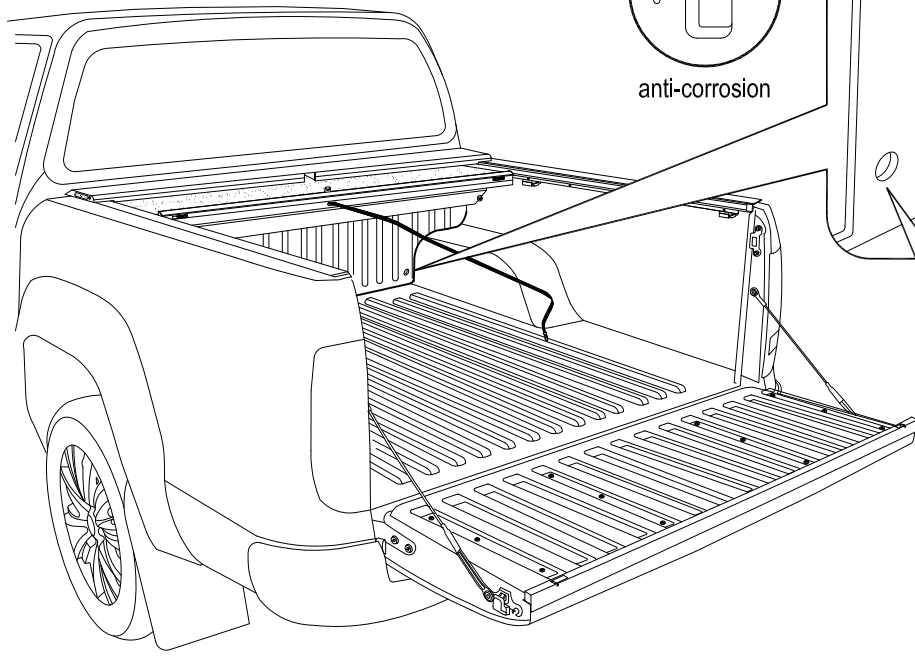


11



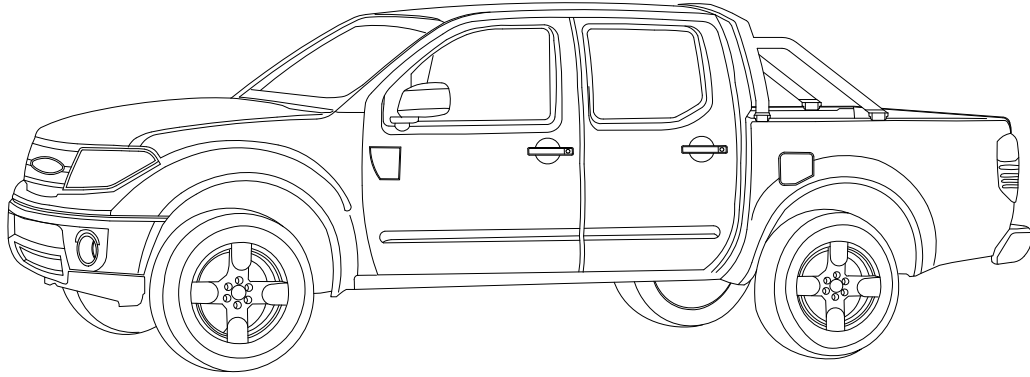
12 LHS = RHS





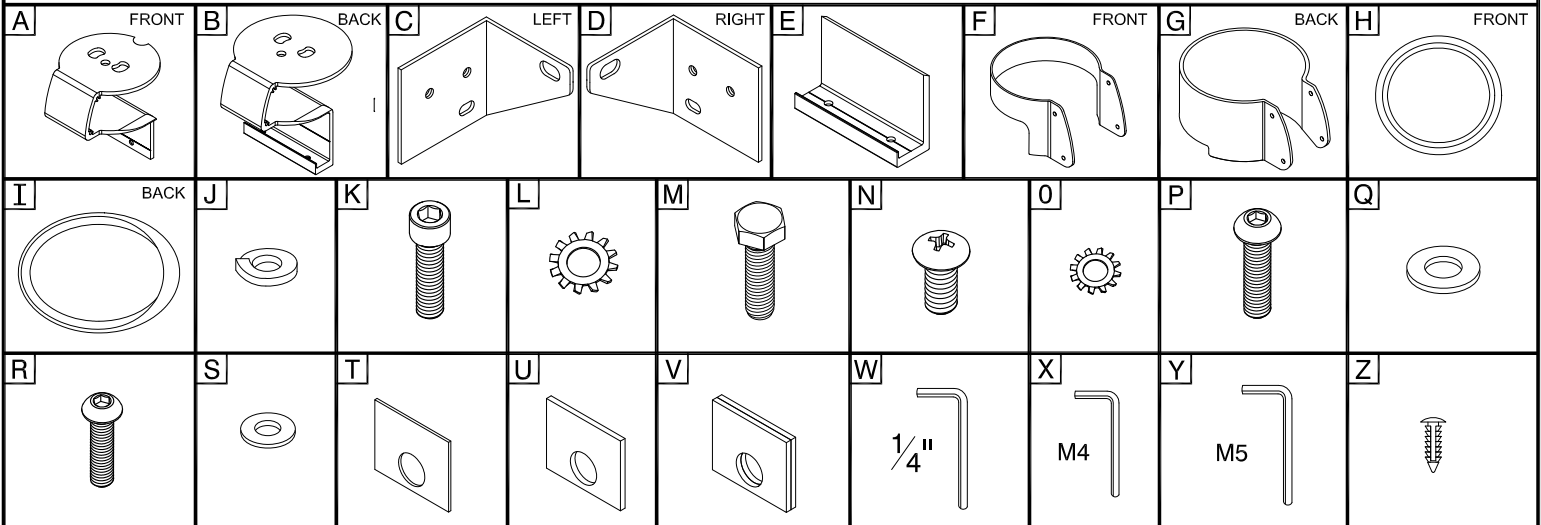
QwikFoot™

INSTALLATION GUIDE FORD RANGER - QF127

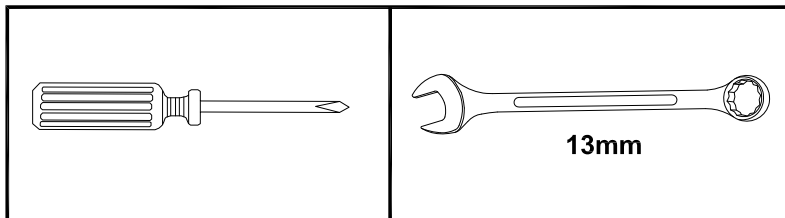


PARTS LIST

Item	Part Name	Qty.	Item	Part Name	Qty.	Item	Part Name	Qty.
A	QwikFoot Bracket (Front)	2	J	5/16" Lock Washer	4	S	M6 Flat Washer	2
B	QwikFoot Bracket (Back)	2	K	5/16-18 Socket Screw	4	T	1/16" Shim	2
C	Front Left Corner Bracket	1	L	M8 External Tooth Washer	10	U	1/8" Shim	2
D	Front Right Corner Bracket	1	M	M8 x 30mm Hex Head Cap	8	V	1/4" Shim	2
E	QwikFoot Bed Clamp	2	N	1/4-20x1/2" Truss Head Screw	4	W	1/4" Short Arm Hex Key	1
F	QwikFoot Sleeve (Front)	2	O	1/4-20 External Tooth Washer	4	X	M4 Short Arm Hex Key	1
G	QwikFoot Sleeve (Back)	2	P	M8x40mm Button Head Screw	2	Y	M5 Short Arm Hex Key	1
H	Trim Ring (Front)	2	Q	M8 Flat Washer	2	Z	QF Sleeve Fastener	16
I	Trim Ring (Back)	2	R	M6x40mm Button Head Screw	2			

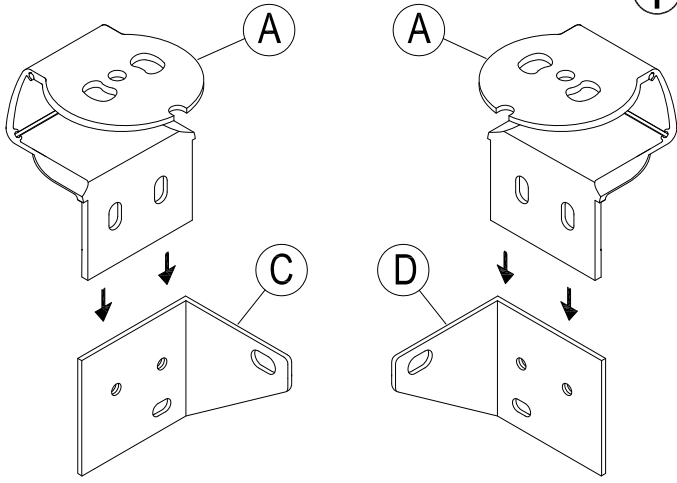


TOOLS NEEDED

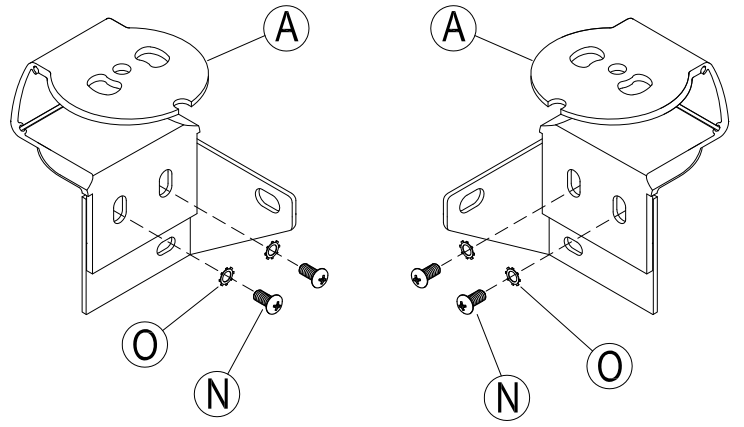


1 LHS = RHS

1

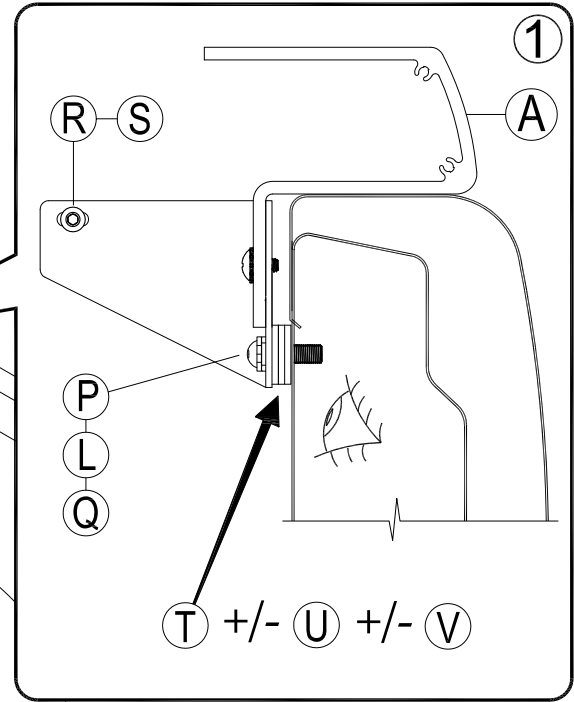
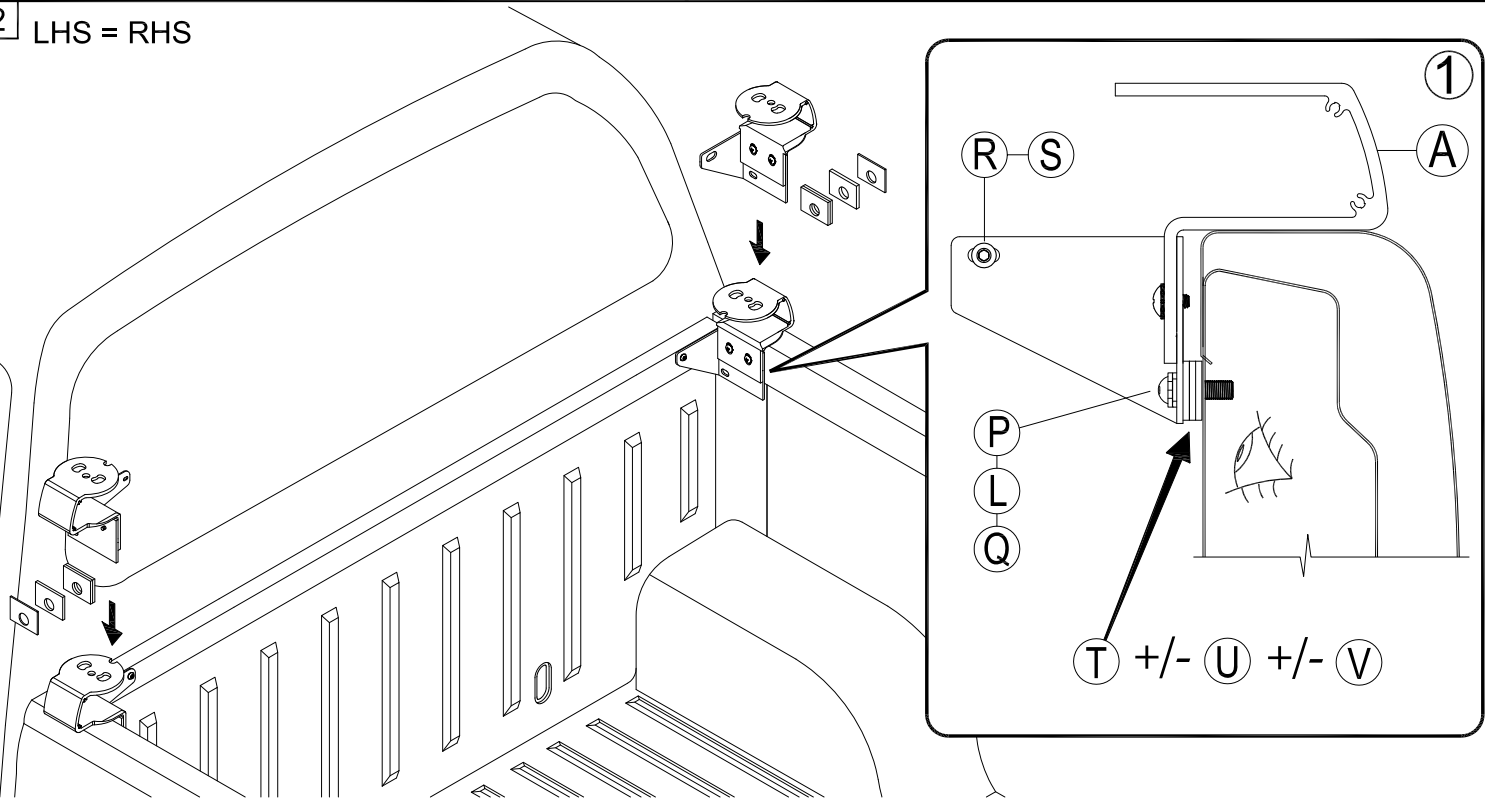


2

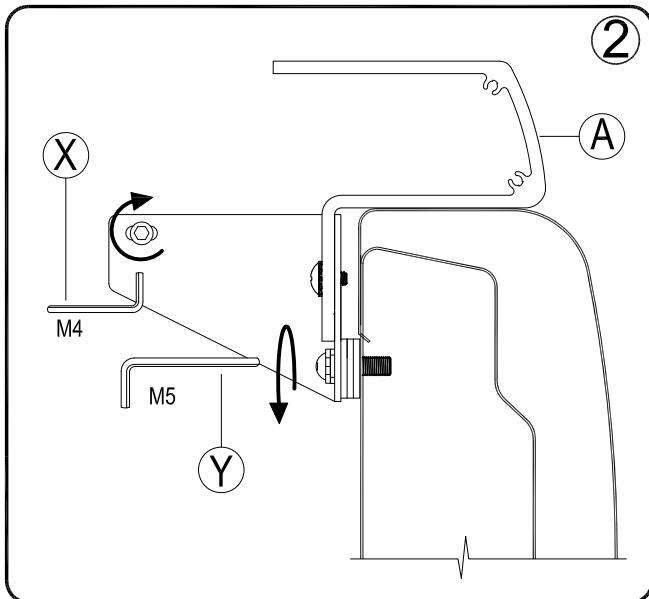


2 LHS = RHS

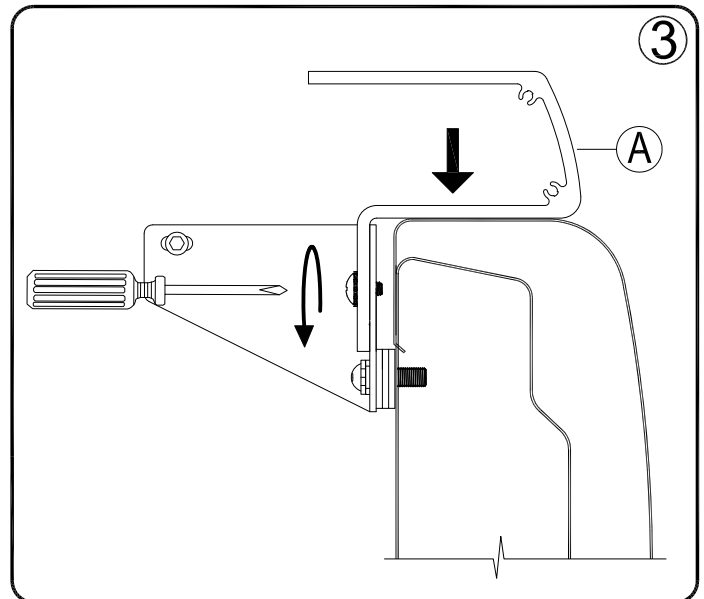
1



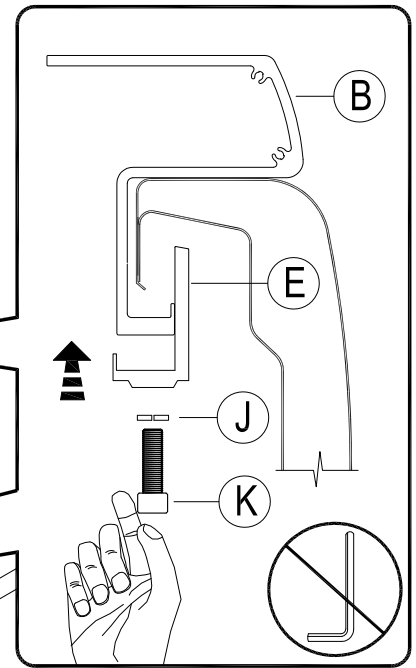
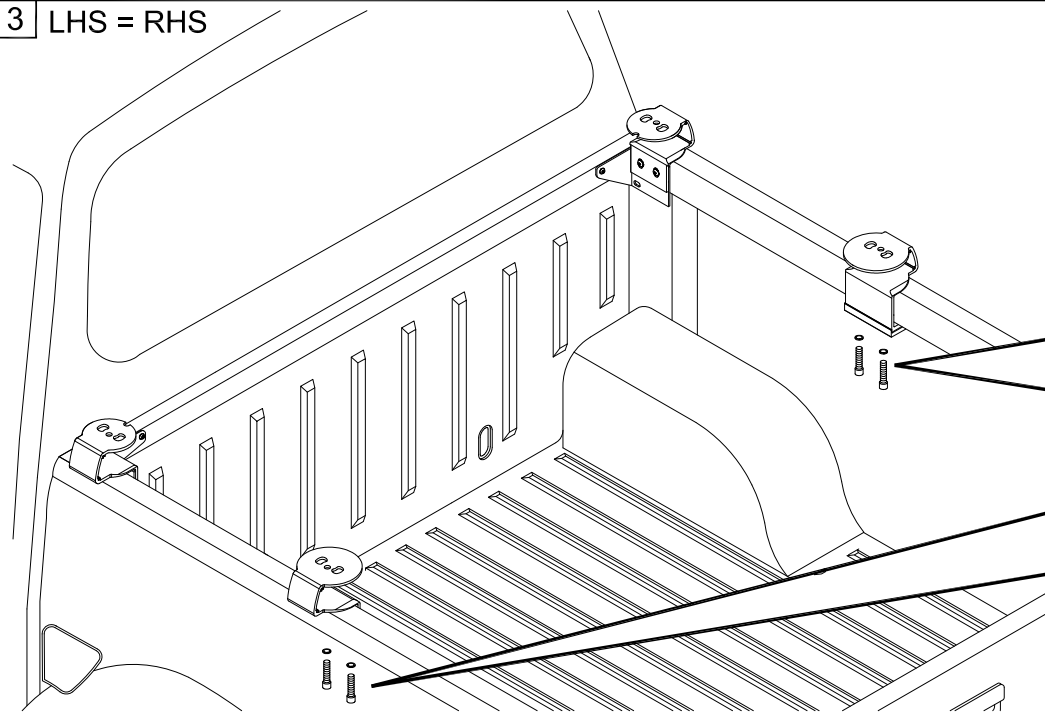
2



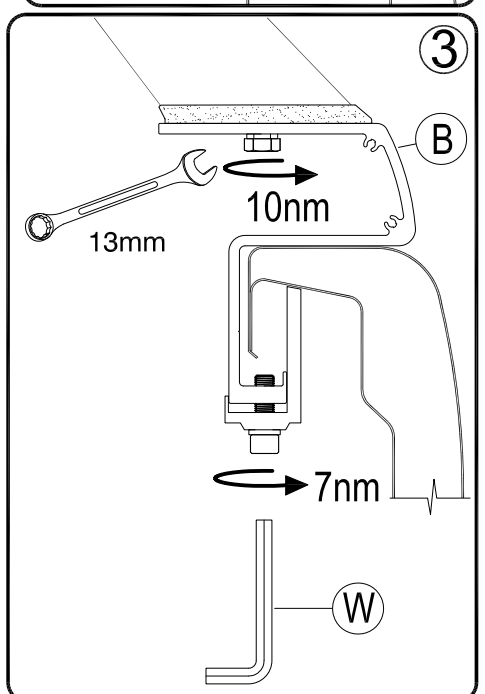
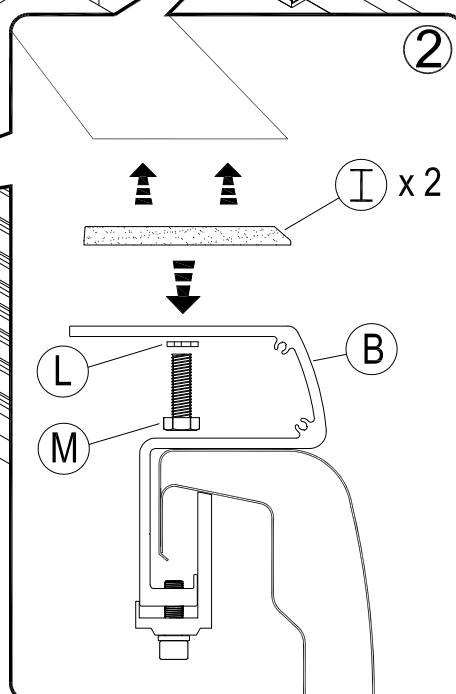
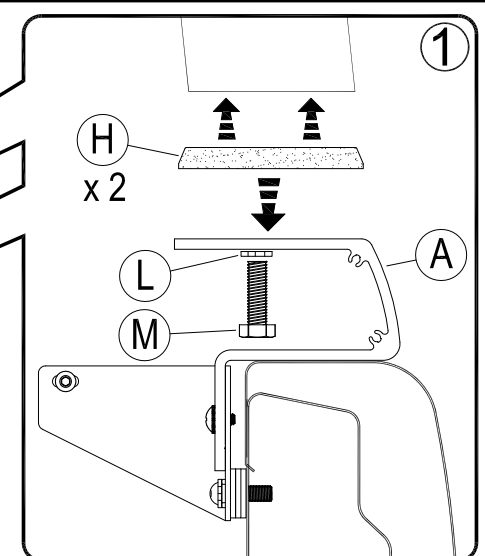
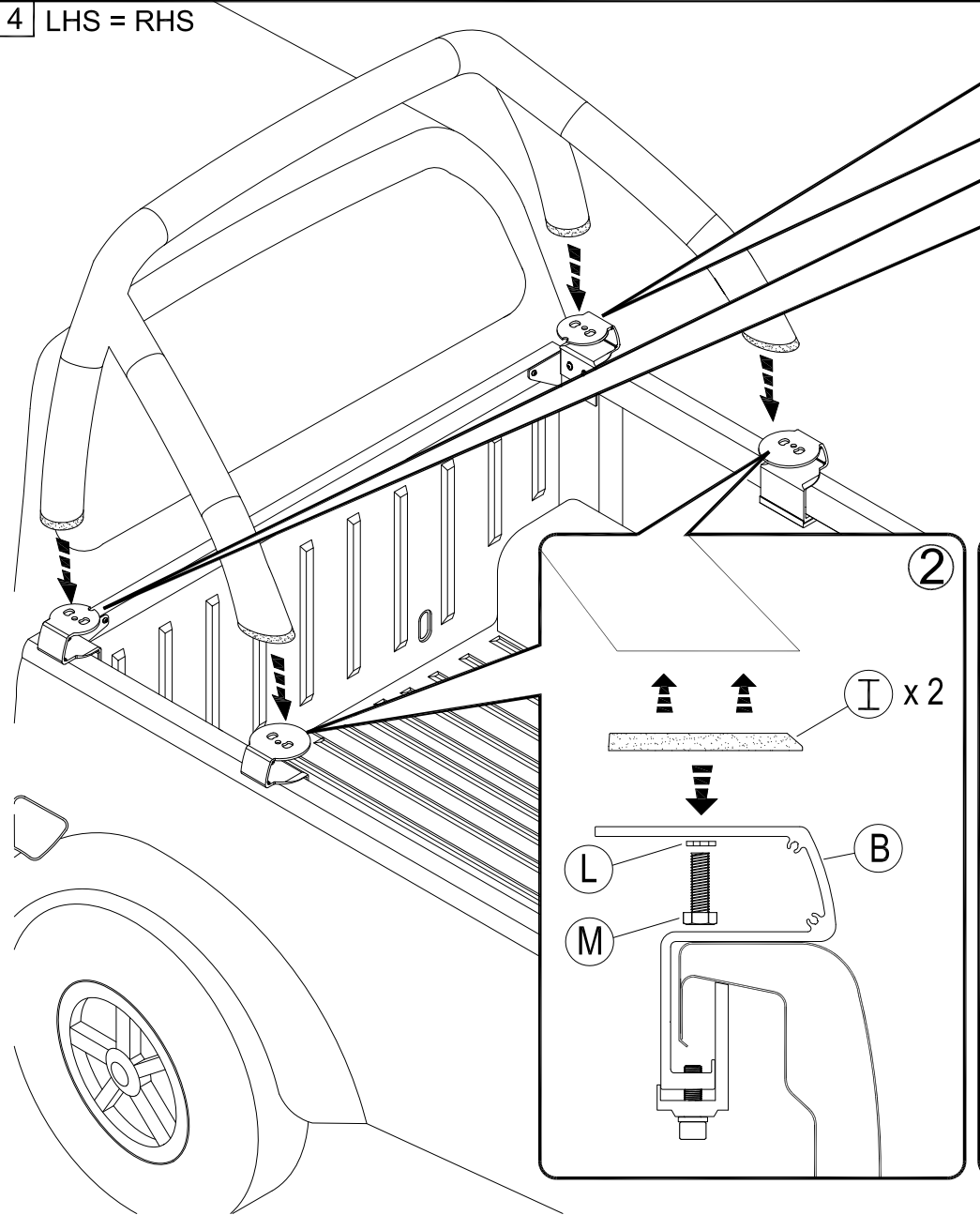
3

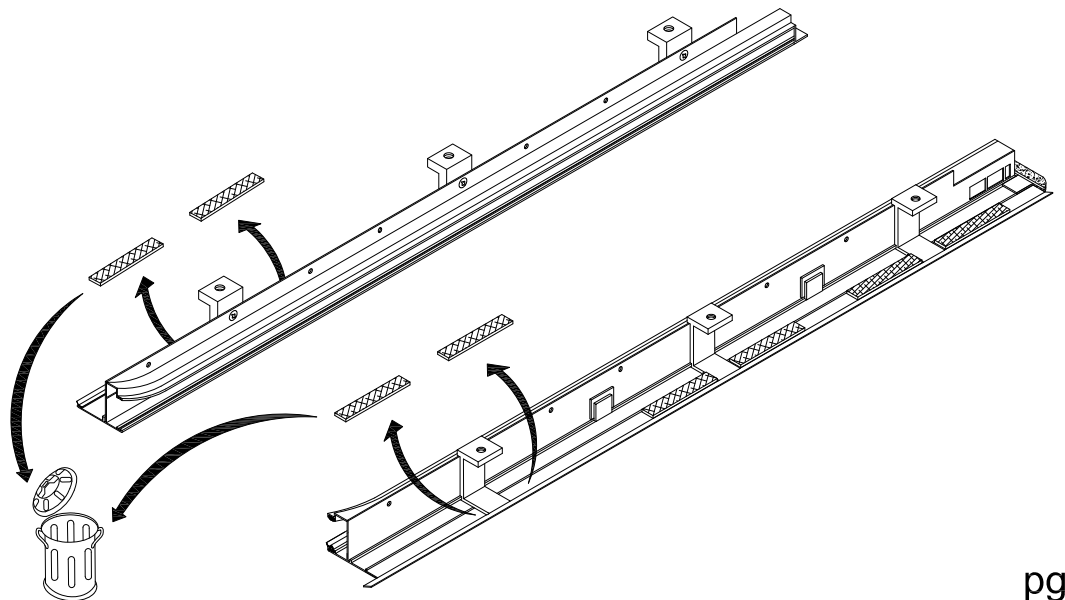
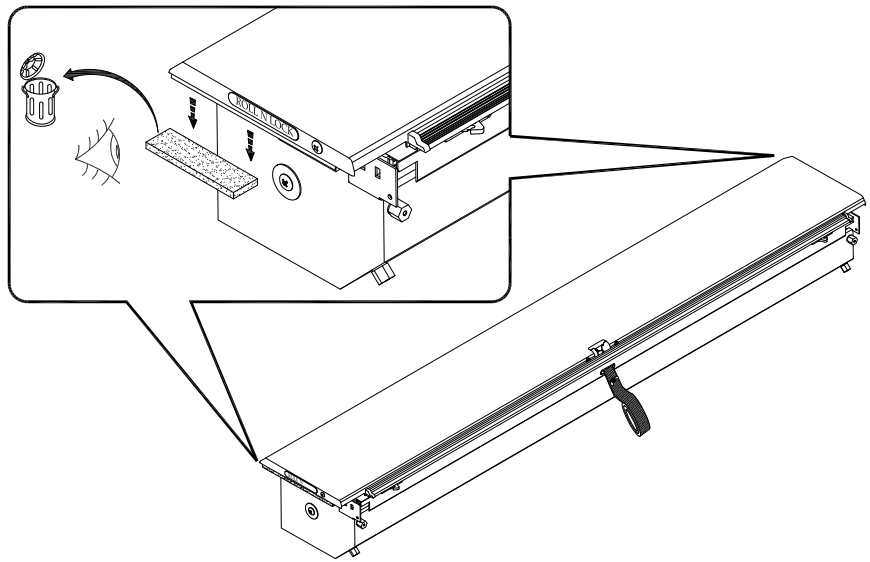
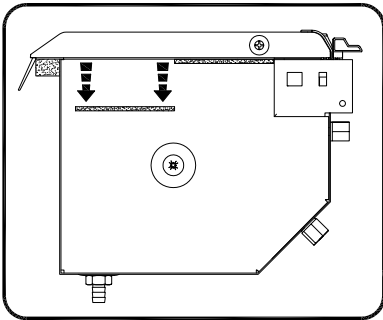
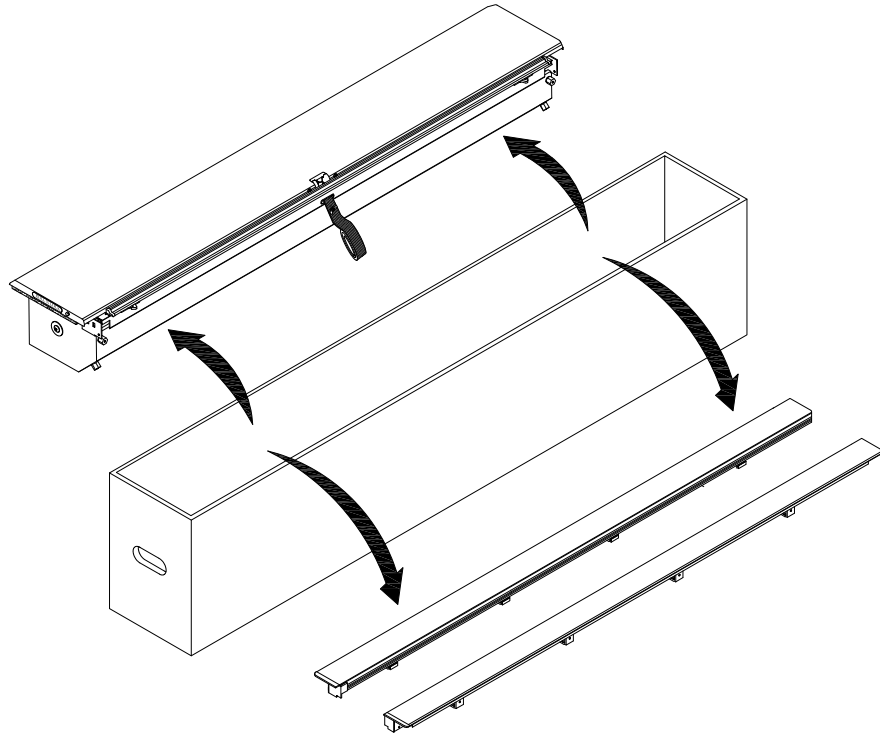


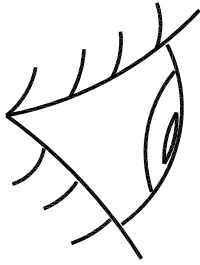
3 LHS = RHS



4 LHS = RHS







INSTALL ROLL·N·LOCK:

ROLL·N·LOCK®

2012 FORD RANGER



DOUBLE CAB LG127M

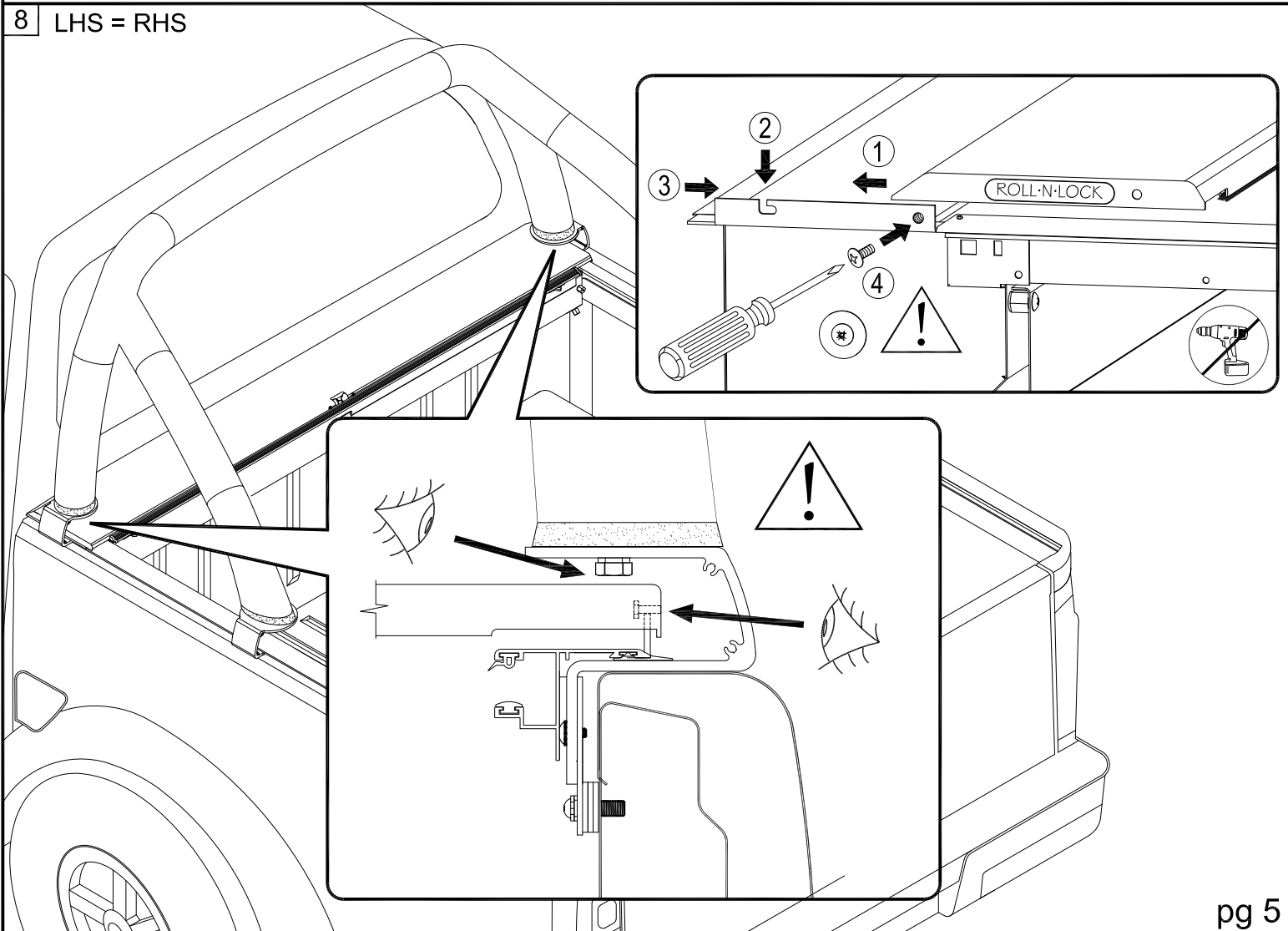


EXTENDED CAB LG129M

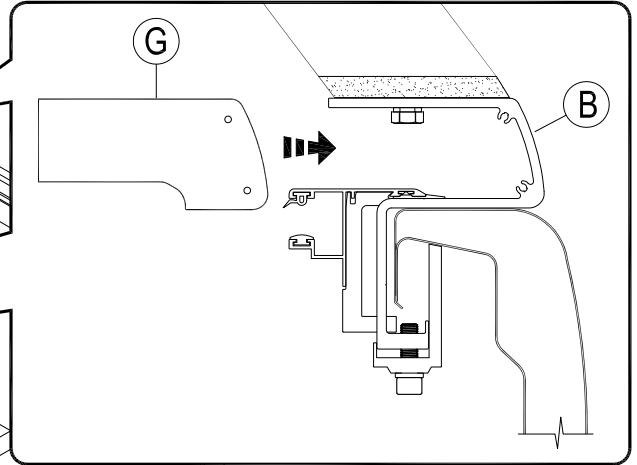
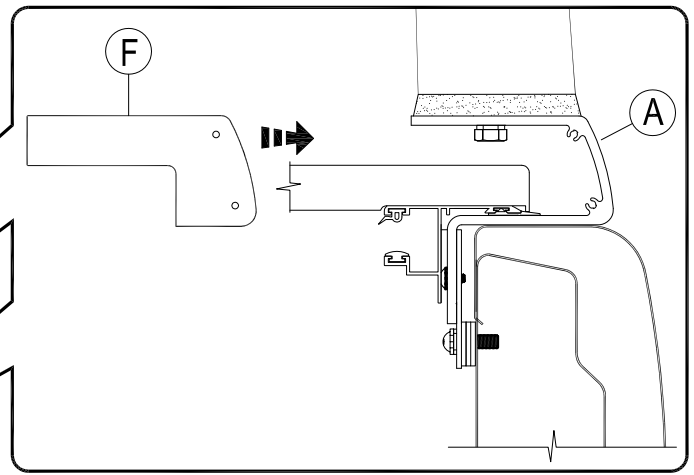
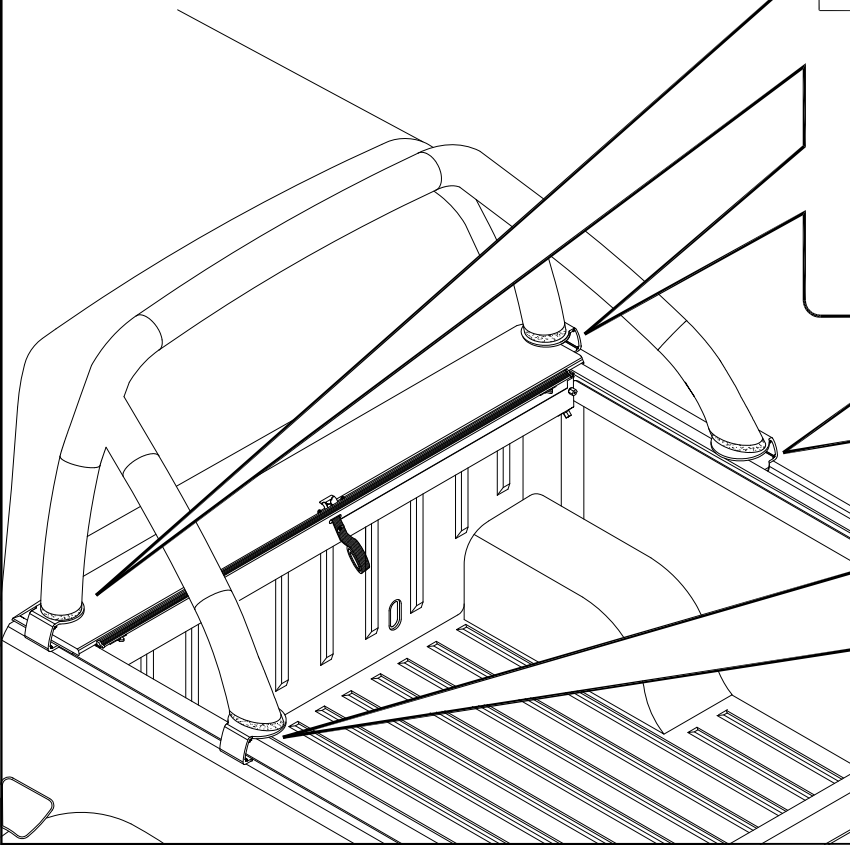
GB	ROLL-N-LOCK Tonneau Cover	NO	ROLL-N-LOCK Tonneau Cover
BG	ROLL и LOCK Tonneau Cover	PL	ROLKI N-LOCK Tonneau Cover
HR	Roll i LOCK pokrovom	PT	ROLO E FECHADURA COBERTURA DE TONNEAU
CZ	ROLL a LOCK kryt zavazadlového prostoru	RO	ROLL și de a bloca Tonneau Cover
DK	ROLL-N-LOCK Tonneau Cover	RU	РУЛОН И ПОКРЫТИЕ TONNEAU ЗАМКА
NL	BROODJE-N-SLOT de Dekking van Tonneau	SK	ROLL A LOCK kryt batozinového priestoru
FI	RO-N-LOCK Tonneau kanssi	SI	ROLL IN LOCK Tonneau Cover
FR	ROULEAU ET LOCK Tonneau Cover	ES	RUEDA y la CERRADURA Tonneau Cubieta
DE	ROLLEN sie und SCHLOB Tonneau Kappe	SE	ROLL-N-LOCK Tonneau Täcker
GR	Κάλυψη Tonneau ρόλος-υ-ΚΛΕΙΔΑΡΙΩΝ	TR	RULO-N-LOCK Tonneau Kapak
HU	ROLL és LOCK platfedél	UA	ROLL i замок кришки Tonneau
IS	Rúlla og Læsa Tonneau Kápa	AR	كشاة تونو لوك تonneau اللوحة
IT	ROTOLO e SERRATURA Tonneau Coperta	IL	טון-נל עמוד שער של Tonneau

SEPTEMBER 20, 2012

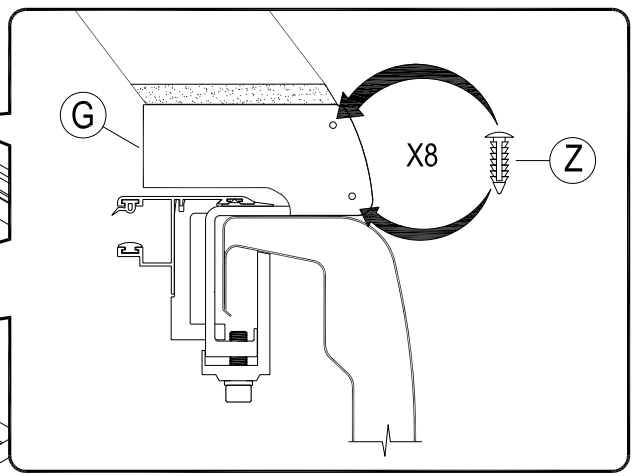
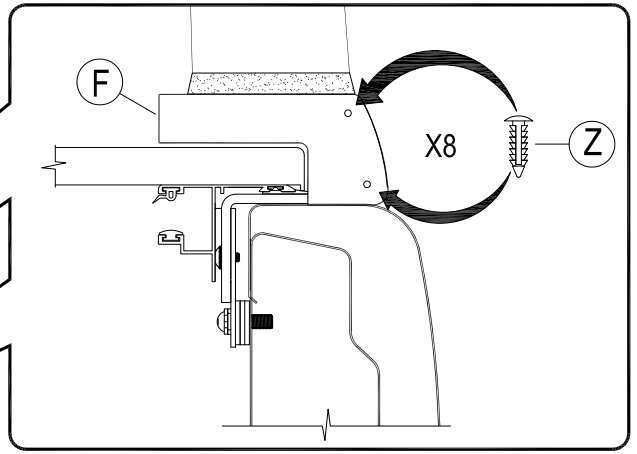
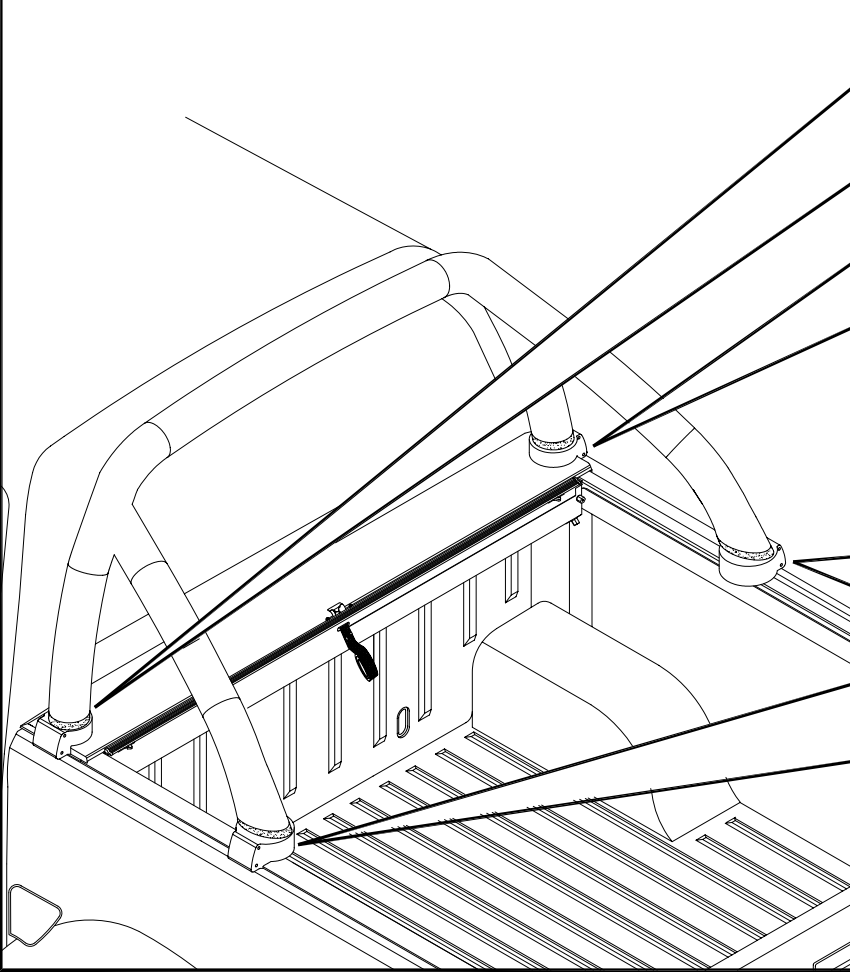
8 LHS = RHS



9 LHS = RHS



10 LHS = RHS



FORD

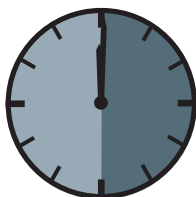
ROAD RANGER®

PICKUP-ACCESSORIES



MONTAGEANLEITUNG

ASSEMBLING INSTRUCTION / INSTRUCTION DE MONTAGE



90 Minutes

Montagesatz für Original Ford Ranger Überrollbügel auf Roll N Lock /
Mounting kit for original Ford Ranger roll bar on Lock N Roll /
Kit de montage pour barre de Ford Ranger rouleau original sur Verrouiller N Roll

Ford Ranger: Modelle; Double Cab 2012->

Article-Nr: 15V9319

Road Ranger
Dr. Höhn GmbH
Künzelsauer Str. 13
D-74653 Ingelfingen

Phone: +49(0) 7940 / 920241 -42
Fax: +49(0) 7940 / 920245

E-Mail: roadranger@hoehn.de
www.hoehn.de

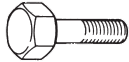


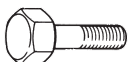










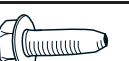


WWW.ROADRANGER.DE

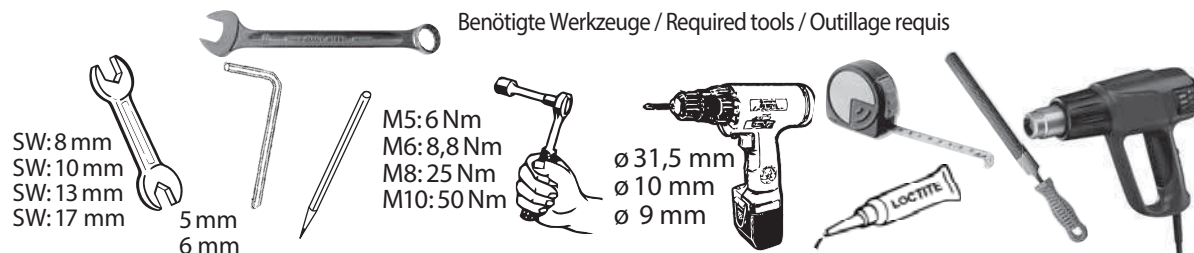
ROAD RANGER®

PICKUP-ACCESSORIES

Teileliste / Parts list / Lista de accesorios

1	15V5134.R / 15V5135.L 1x	2	15V4136.R / 15V4137.L 1x
			
3	15V5132.R / 15V5133.L 1x	4	15V8034.R / 15V8035.L 1x
			
5	13H5024 2x	6	13H5240 2x
			
7	005069 2x	8	005909 2x
			
9	15V5131 2x	10	005872 1x
			
11	15V5138 1x		
			

a		M6 x 20; 933 A2	2x
b		M8 x 20; 912 Zn	4x
c		M8 x 25; 7991 Zn	4x
d		M10 x 40; 933 Zn	2x
e		Ø 6,4; 125 A2	2x
f		Ø 8,4; 125 Zn	8x
g		M8; 934 Zn	4x
h		Ø 10,5; 9021 Zn	2x
i		Ø 6; 127 A2	2x
j		Ø 8; 127 Zn	8x
k		Ø 10; 127 Zn	2x
l		SW 10 mm	2x
m		SW 17 mm	2x
n		M6; W-0942 A2	2x
o		M5 x 16; 7500 ZnNi8A+VS	2x
p		SW 8 mm	2x
q		Ø 32; 15168	1x



Montagesatz für Original Ford Ranger Überrollbügel auf Roll N Lock /
Mounting kit for original Ford Ranger roll bar on Roll N Lock /
Kit de montage pour barre de Ford Ranger rouleau original sur Roll N Lock

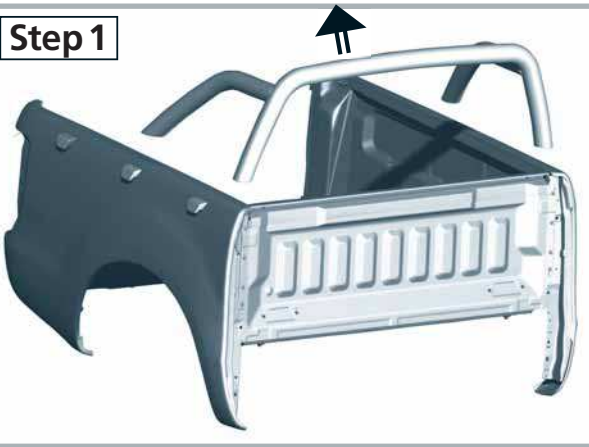
Ford Ranger: Modelle; Double Cab 2012->

Article-Nr: 15V9319

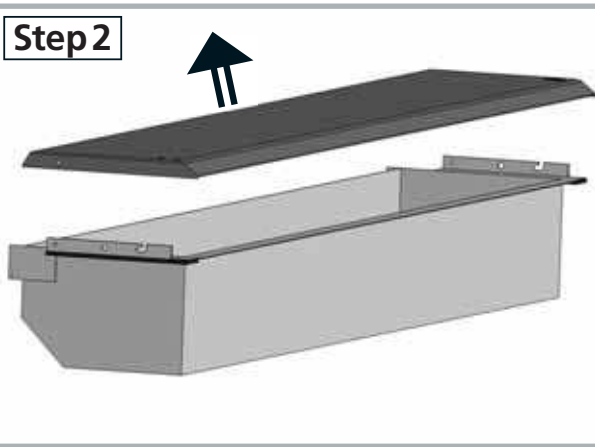
Revision 3: 06.06.2013

WWW.ROADRANGER.DE

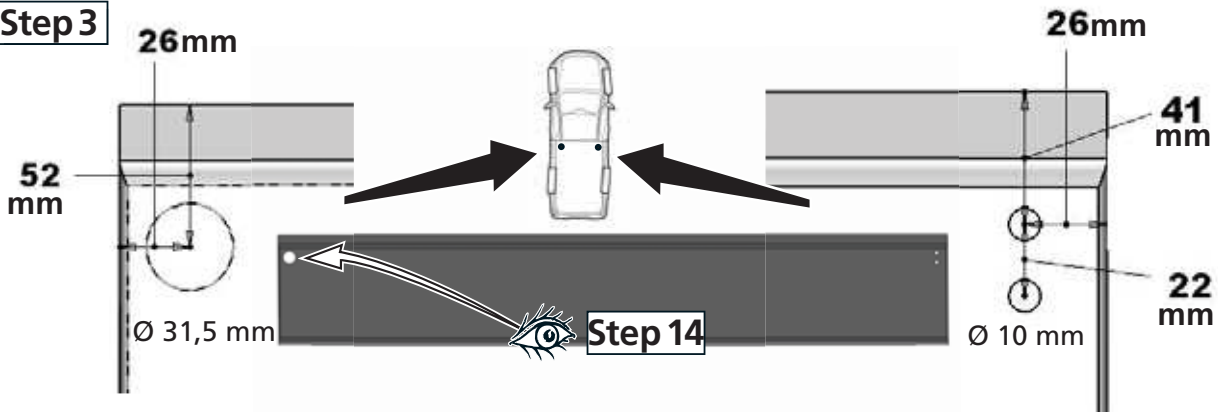
Step 1



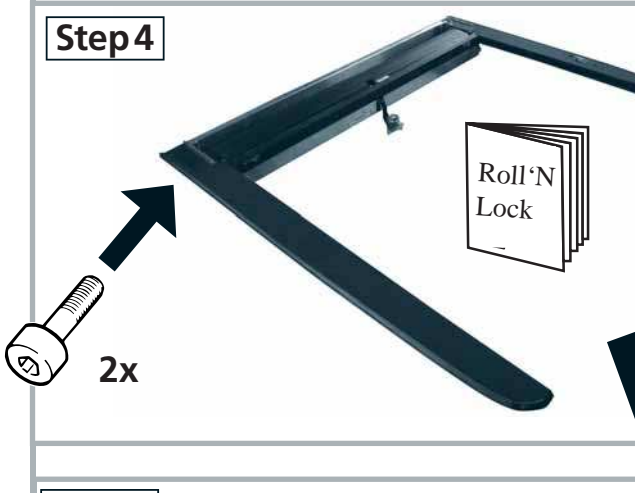
Step 2



Step 3



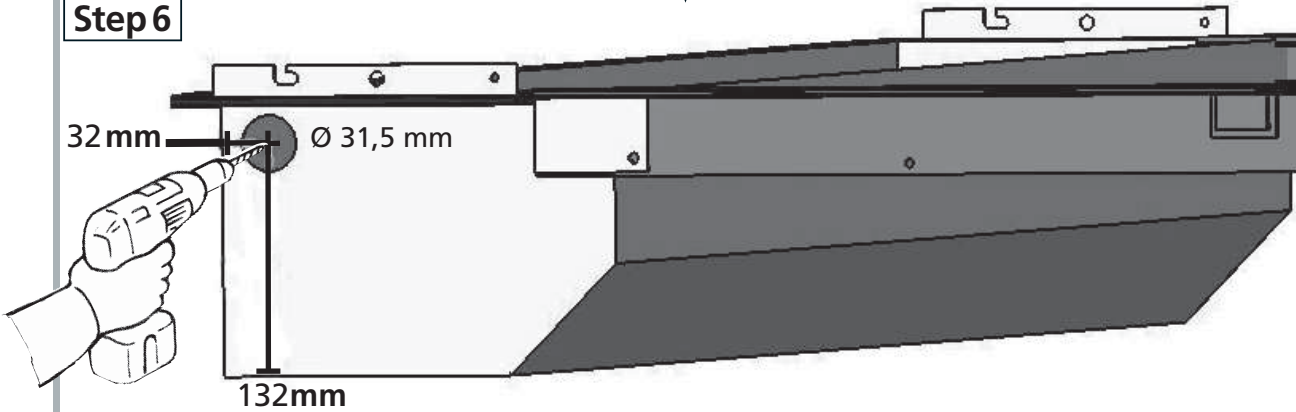
Step 4



Step 5

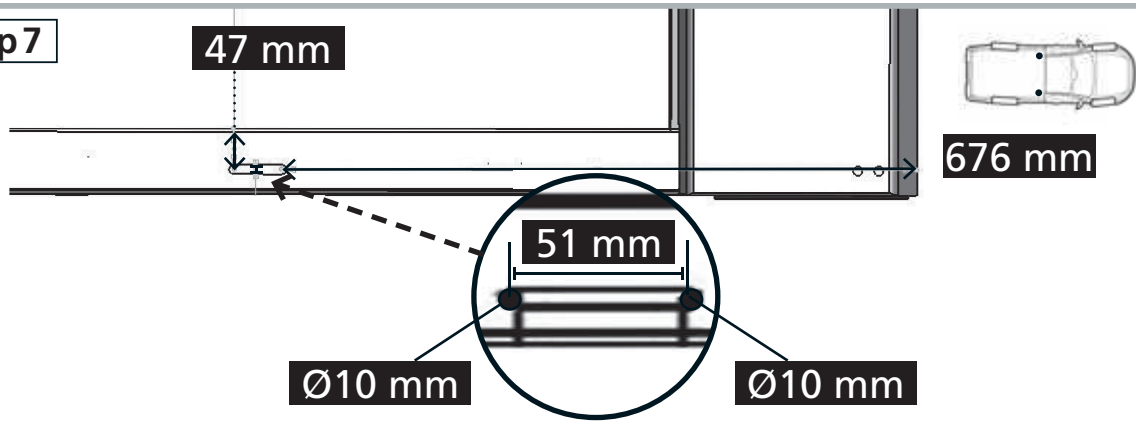


Step 6

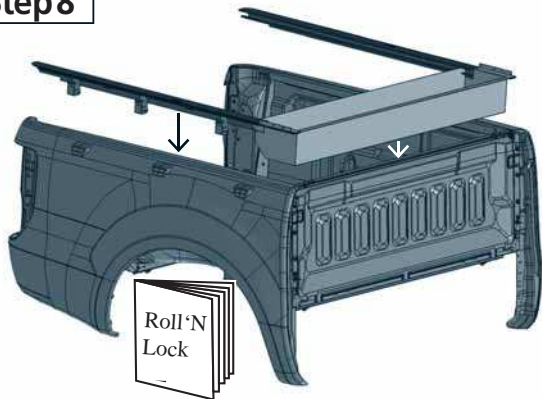


WWW.ROADRANGER.DE

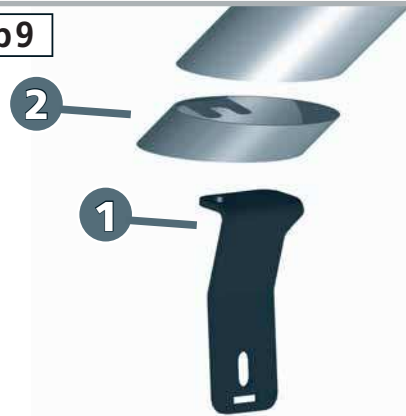
Step 7



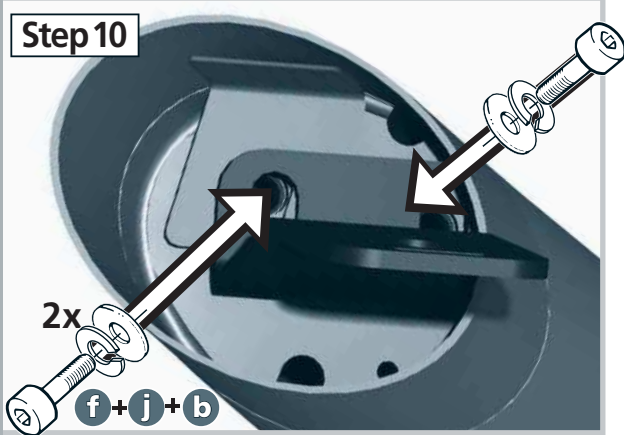
Step 8



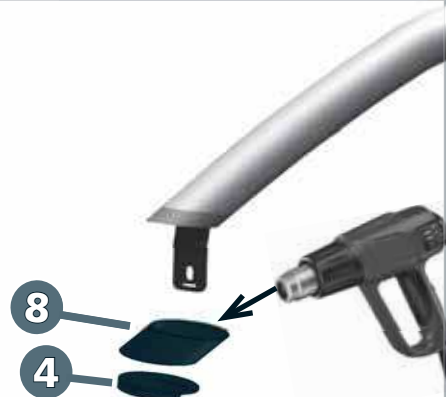
Step 9



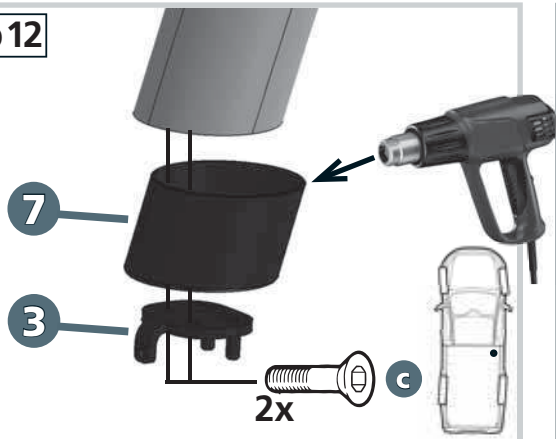
Step 10



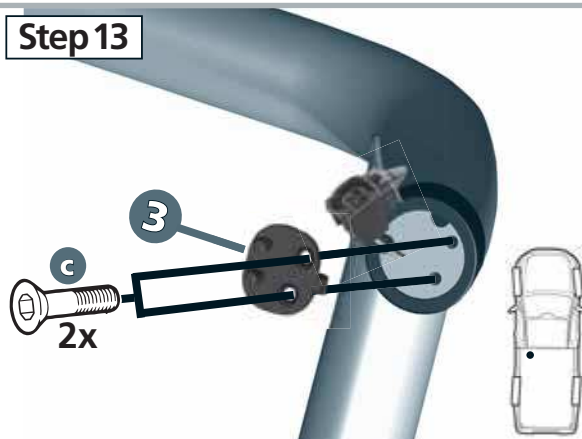
Step 11



Step 12

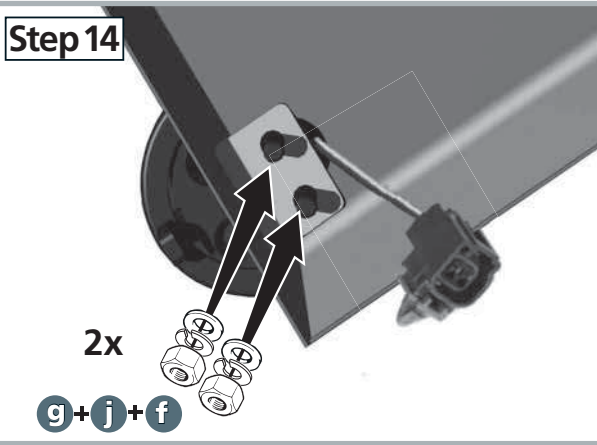


Step 13

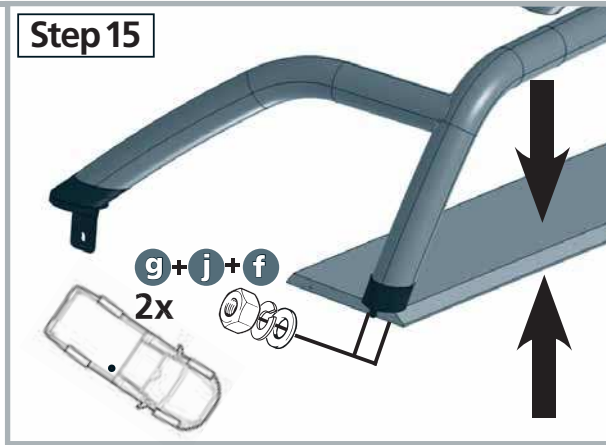


Ford Ranger: Modelle; Double Cab 2012->
Article-Nr: 15V9319

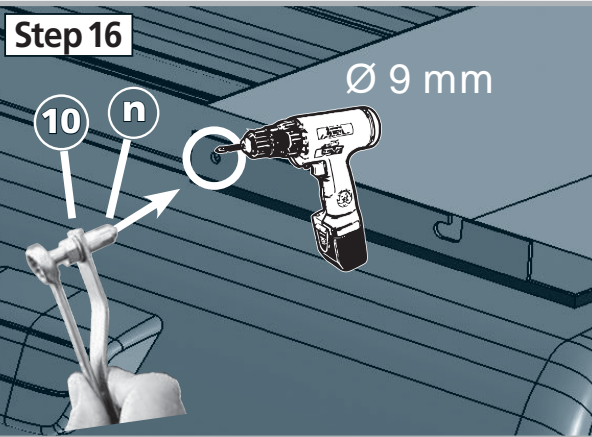
Step 14



Step 15



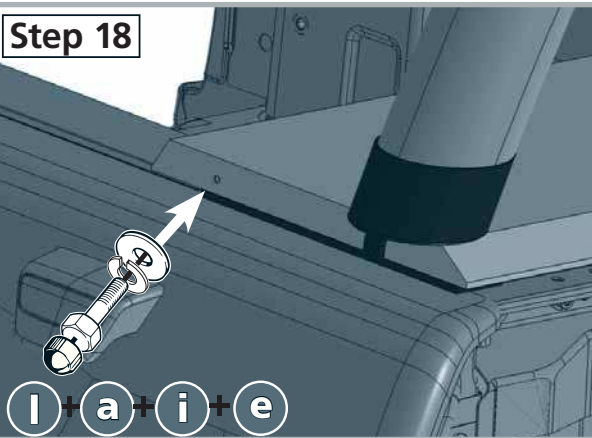
Step 16



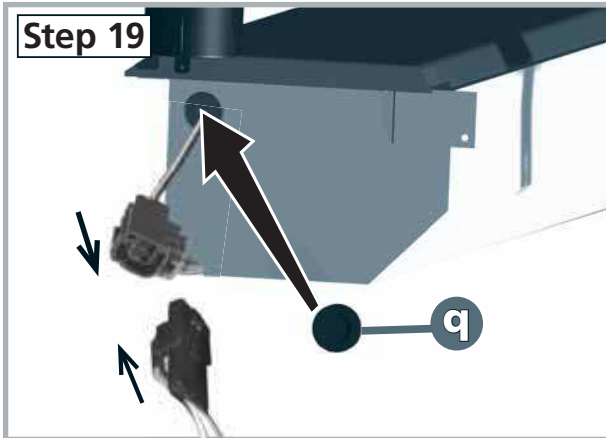
Step 17



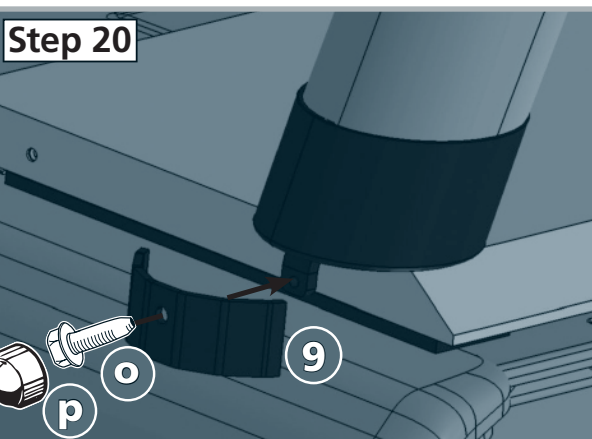
Step 18



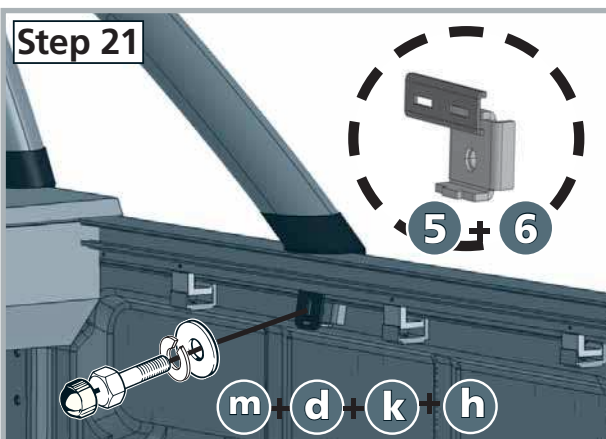
Step 19



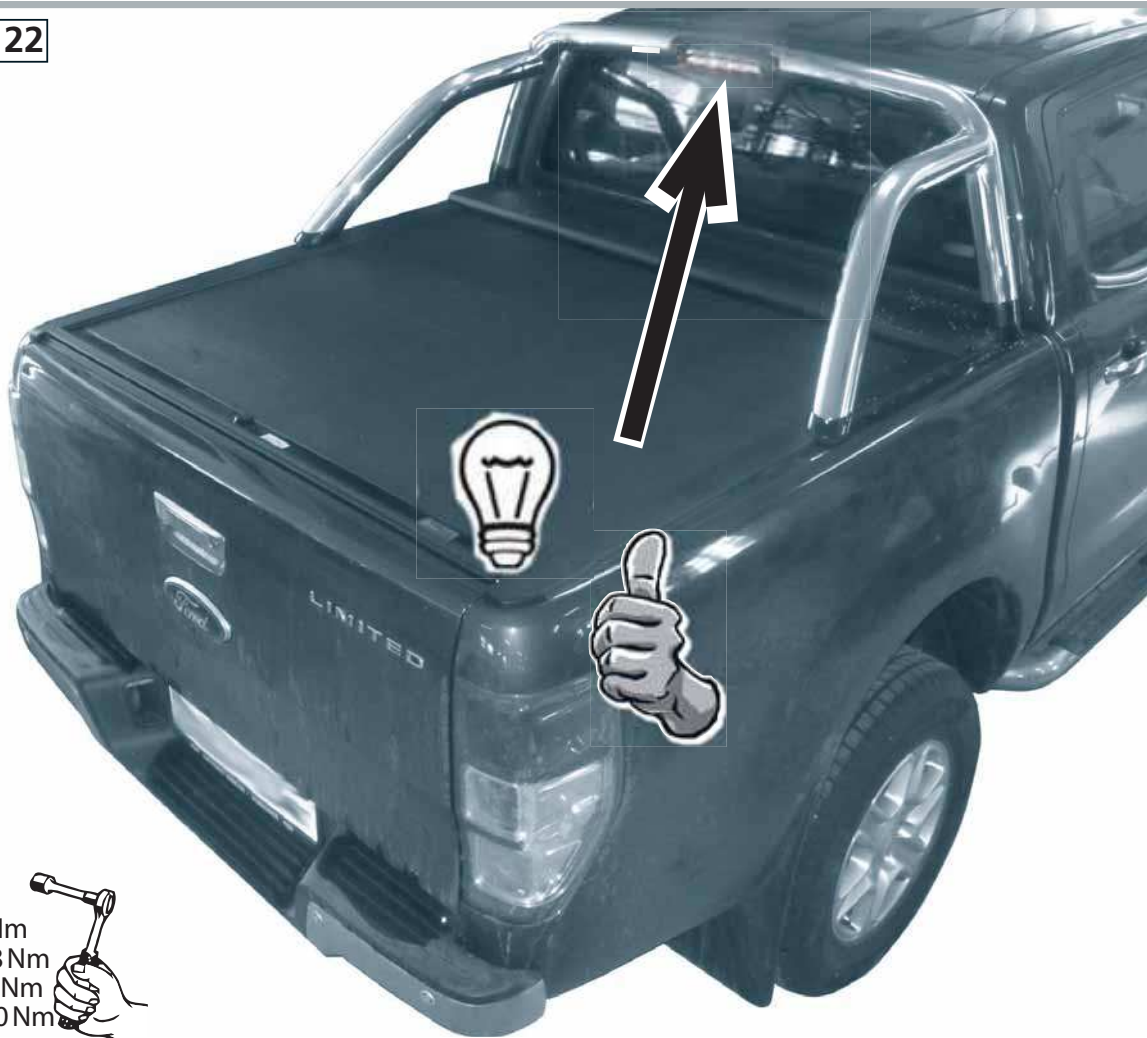
Step 20



Step 21



Step 22



M5: 6 Nm
M6: 8,8 Nm
M8: 25 Nm
M10: 50 Nm

WWW.ROADRANGER.DE