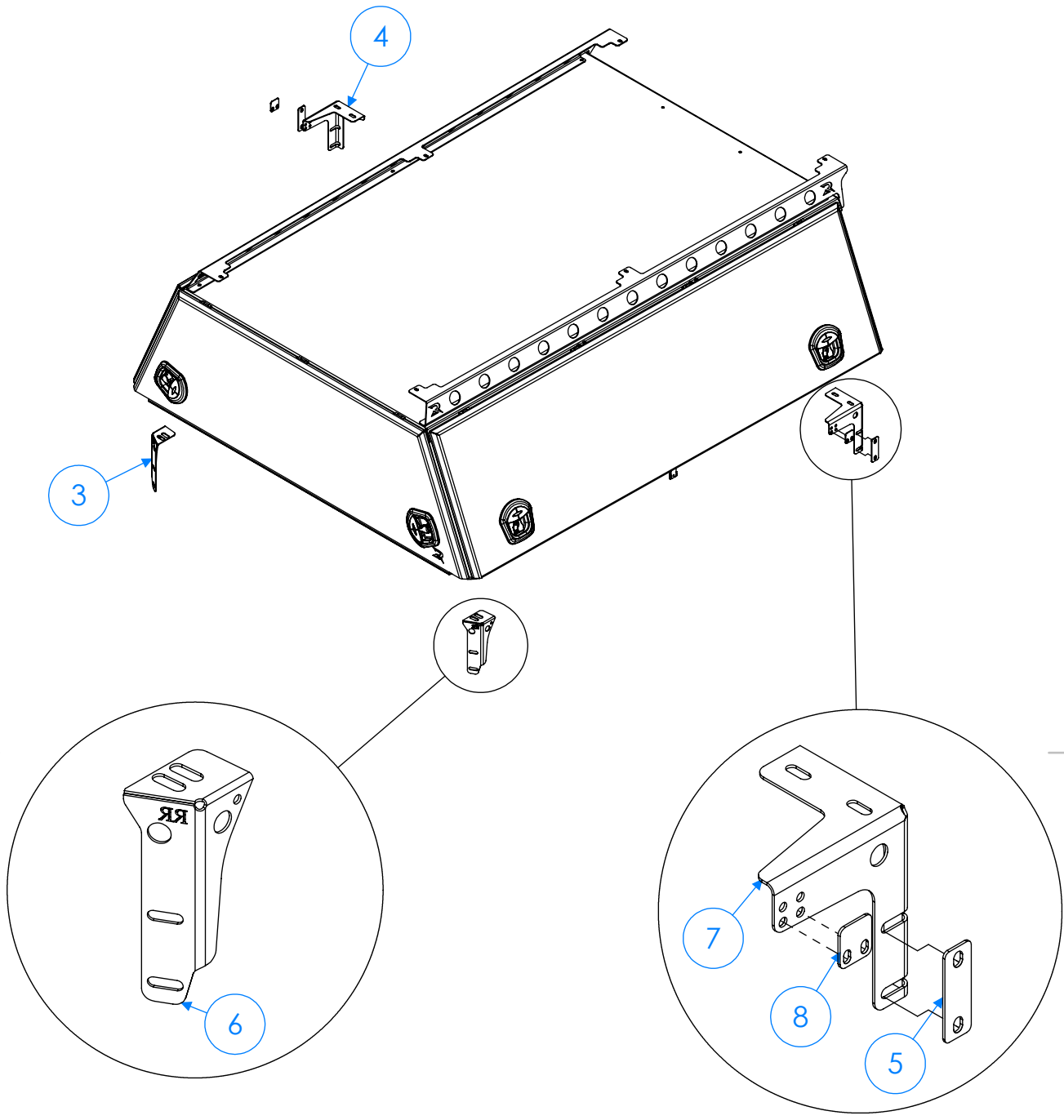
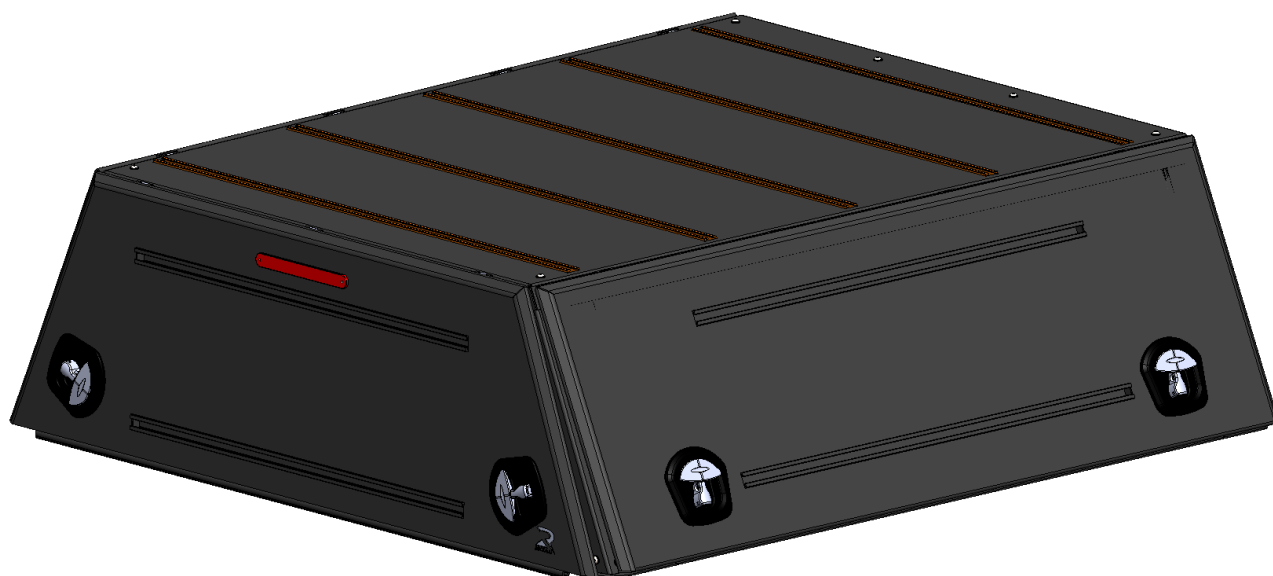


Montage sur toyota vigo



Repère	Nombre	Référence	Désignation
3	1	O0061G	Pied arrière gauche toyota vigo
4	1	O0060G	Pied avant gauche toyota vigo
5	2	O0059	Cale toyota vigo
6	1	O0061D	Pied arrière droite toyota vigo
7	1	O0060D	Pied avant droit toyota vigo
8	2	O0030	Contre tole pied toyota

HARD TOP



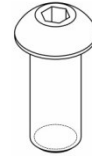
GUIDE DE MONTAGE



x22
BHC M4x16
A4701_5



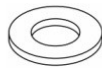
X4
CHC M4x12
A4563_20



X47
BHC M8x20
A4861_10



x48 M4
A4633_3



X59 M8
A4633



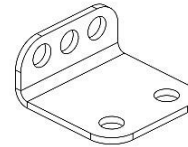
X47 M8
Plastic
A4634_9



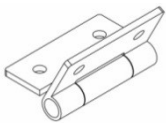
x48 M4
A4701_5



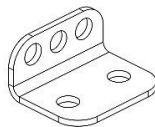
X60 M8
A4701_3



x2



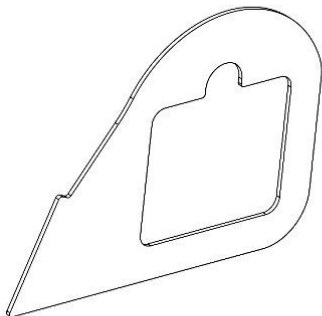
x11
A5913_7



x4



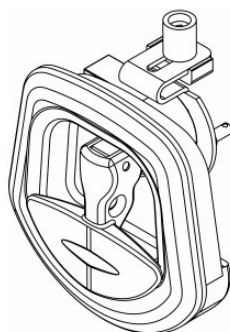
x1,5 m
A7003_1



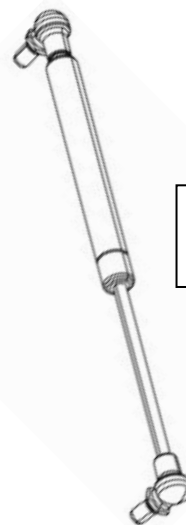
x1
O0012



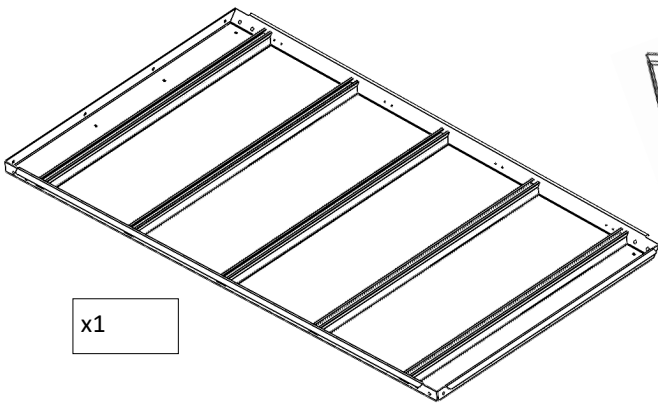
x13 m
A7003_3



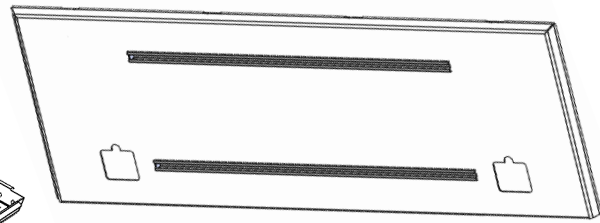
x6
A5911_9



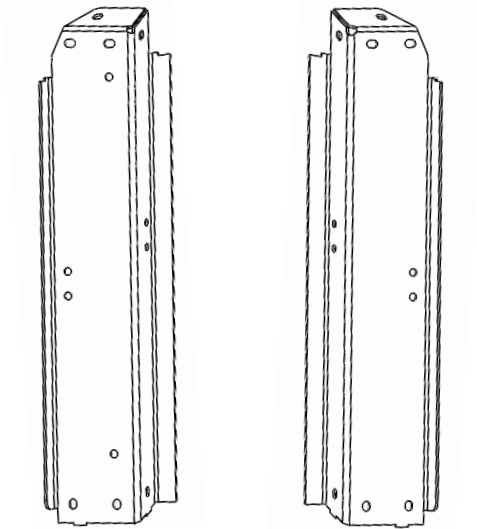
x6
O0021



x1

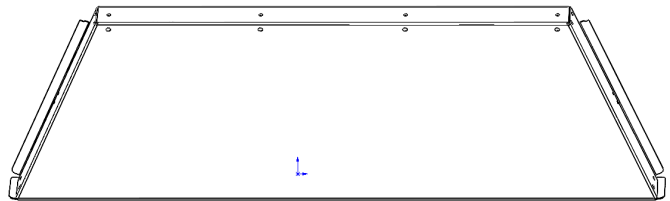


x2

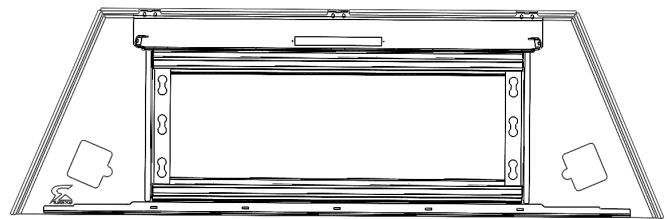


X1 LEFT

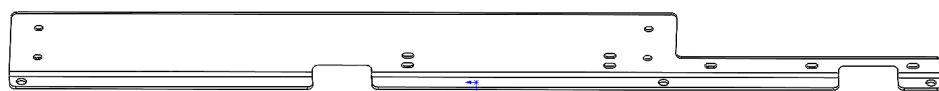
X1 RIGHT



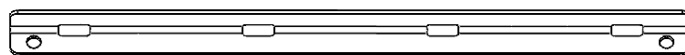
x1



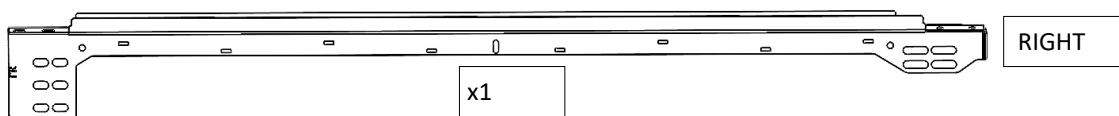
x1



x1

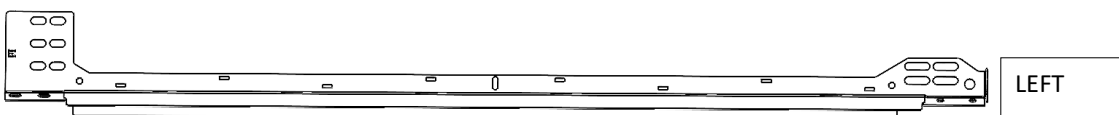


x1



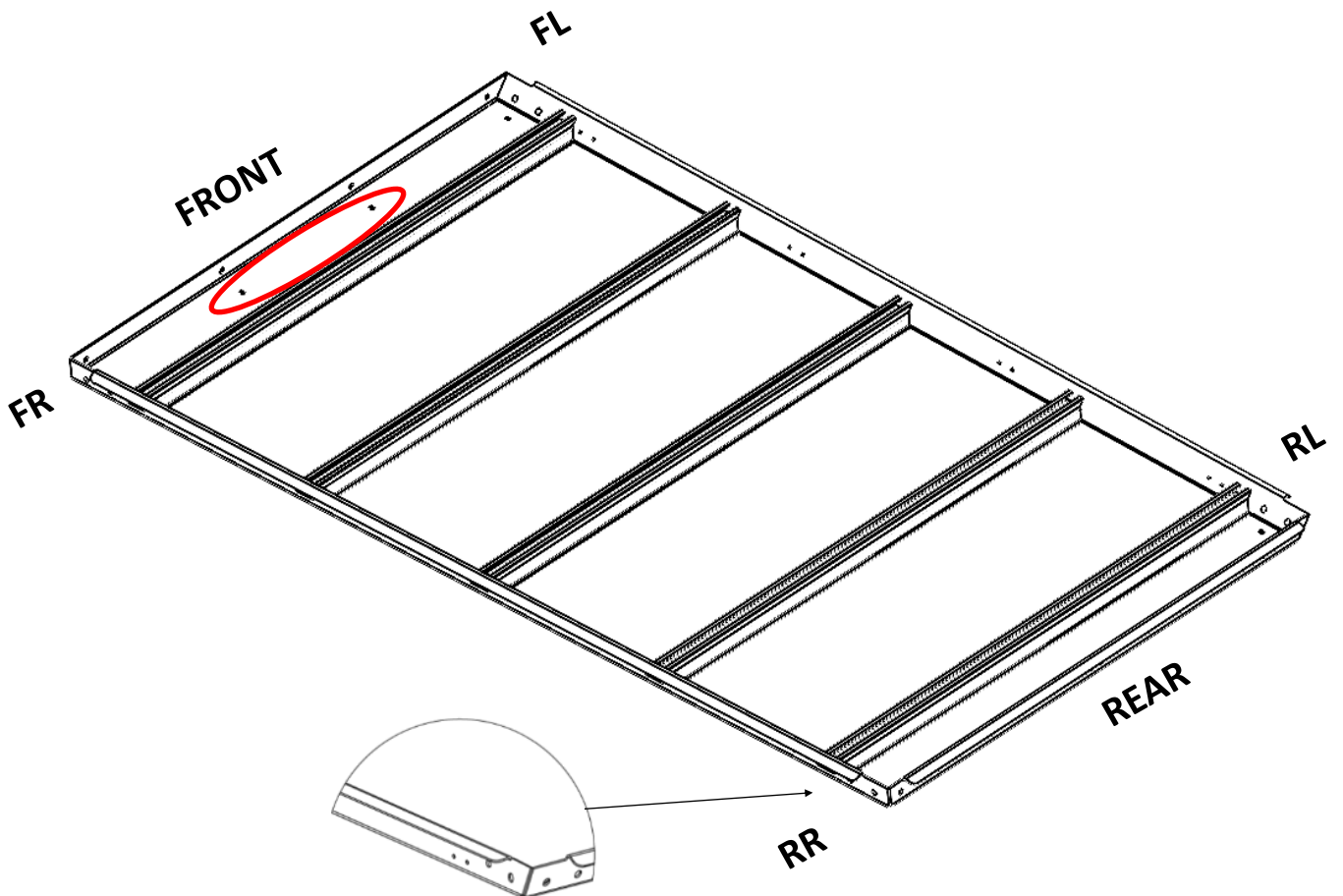
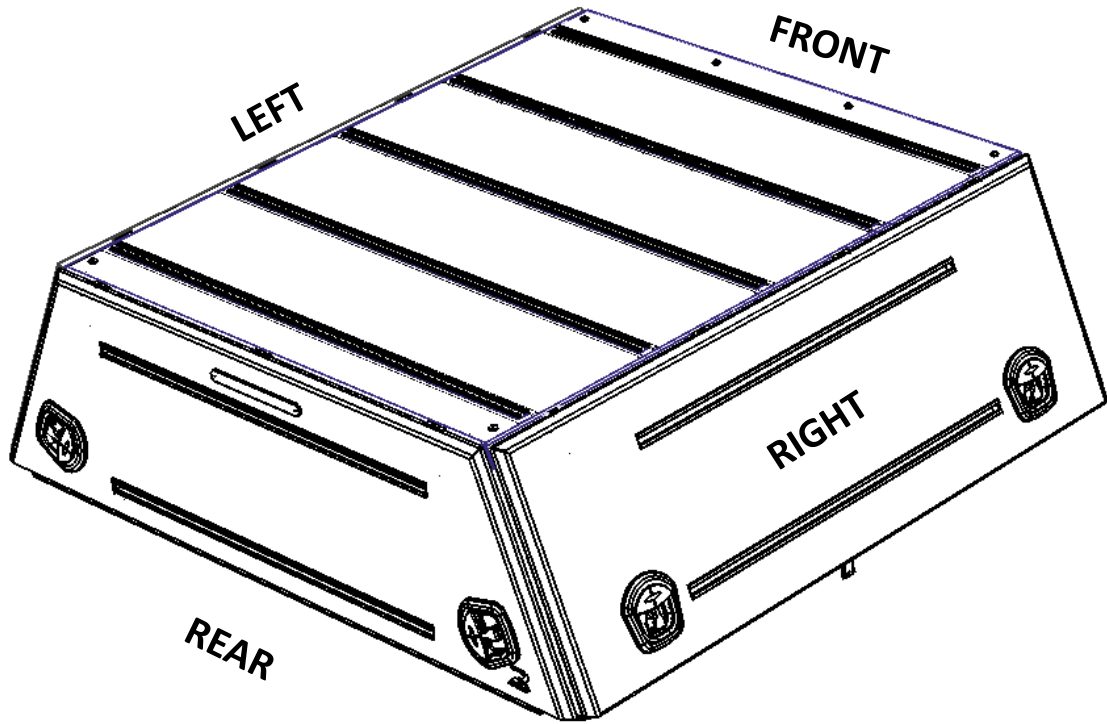
x1

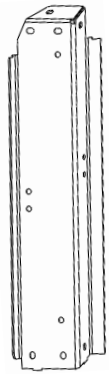
RIGHT



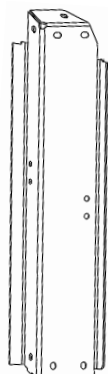
x1

LEFT





X1 LEFT



X1 RIGHT



X8 BHC M8x20

Outside



X8 M8 Plastic

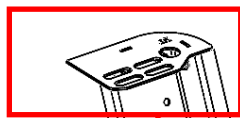
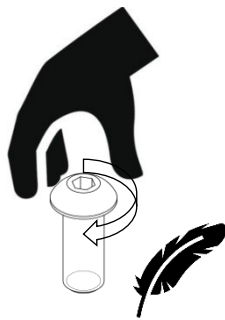
Inside



X8 M8



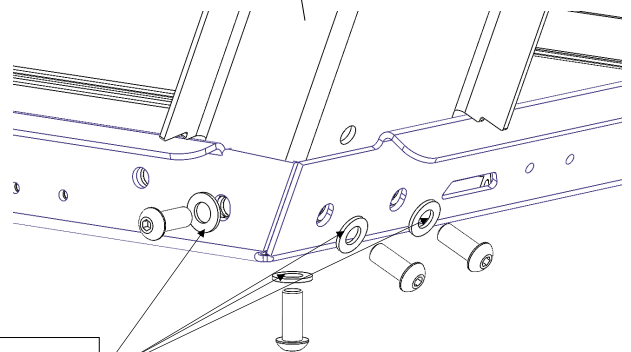
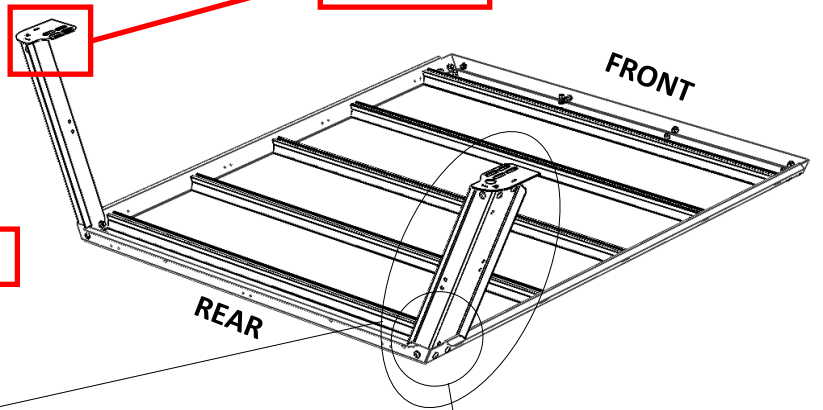
X8 M8



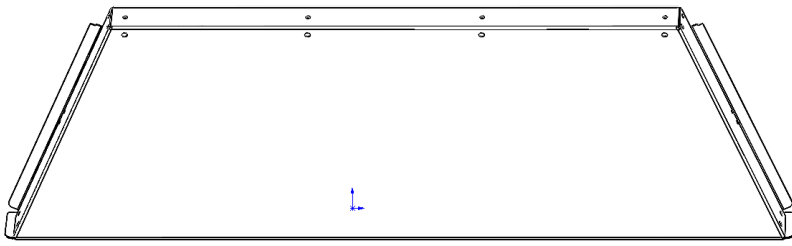
REAR LEFT



REAR RIGHT



PLASTIC



X1



X12 BHC M8x20

Outside



X12 M8 Plastic

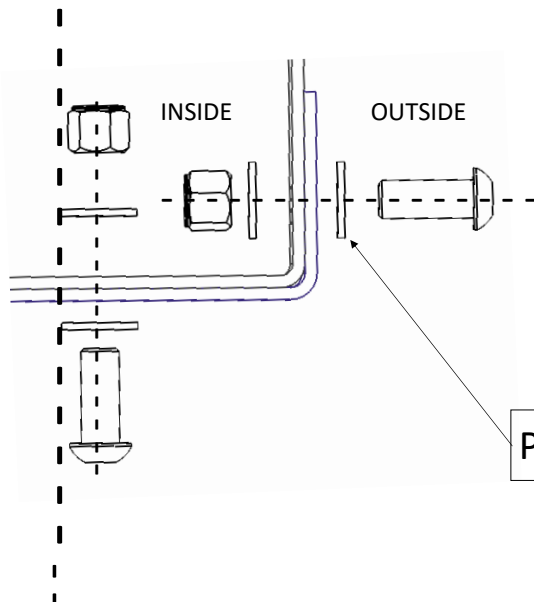
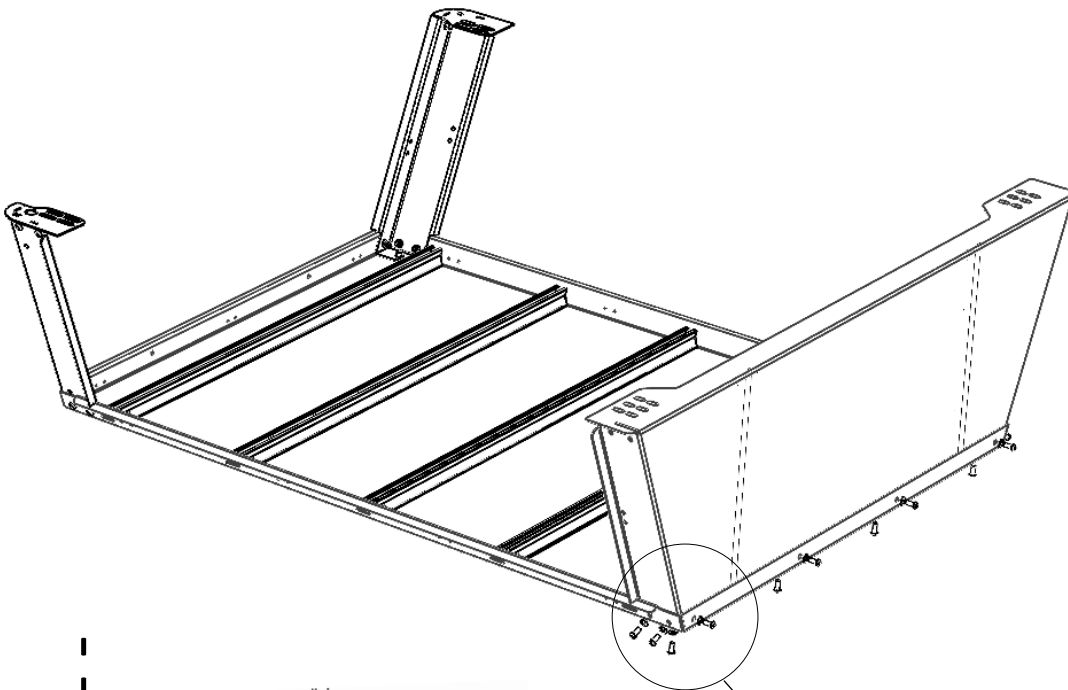
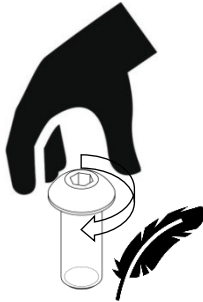
Inside



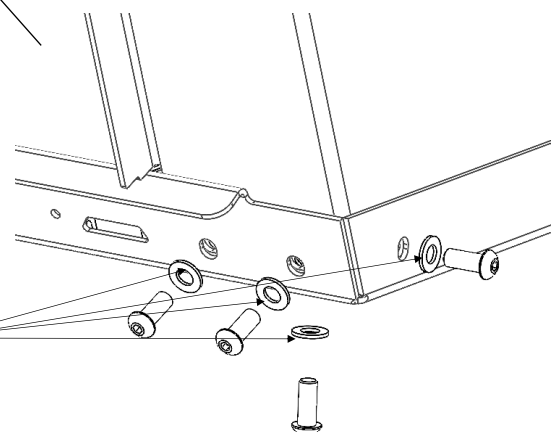
X12 M8

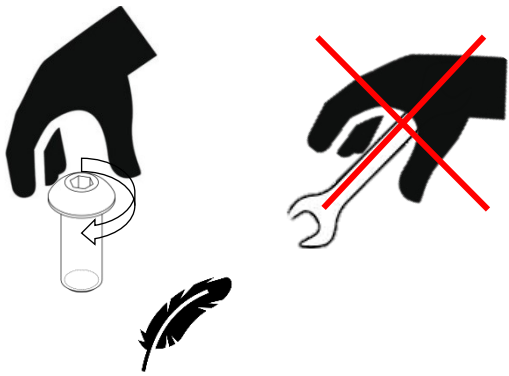


X12 M8



PLASTIC





X10 BHC M8x20

Outside



X10 M8 Plastic

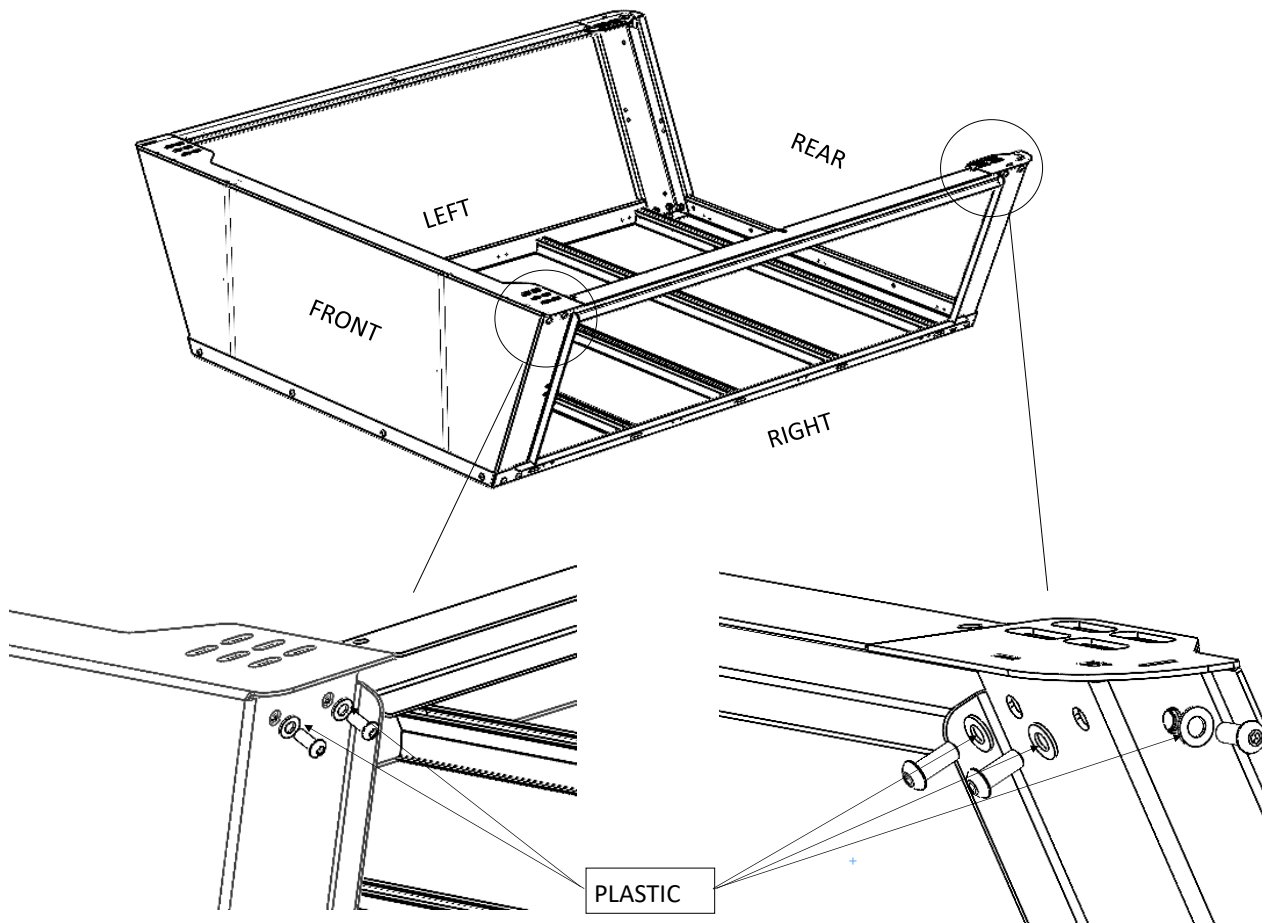
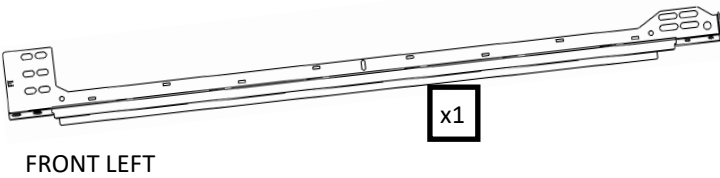
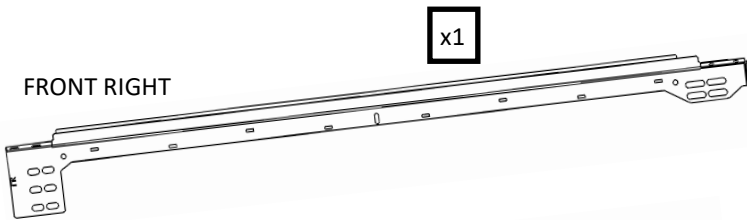
Inside

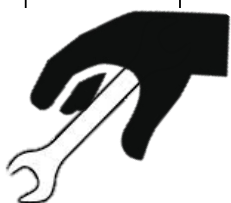
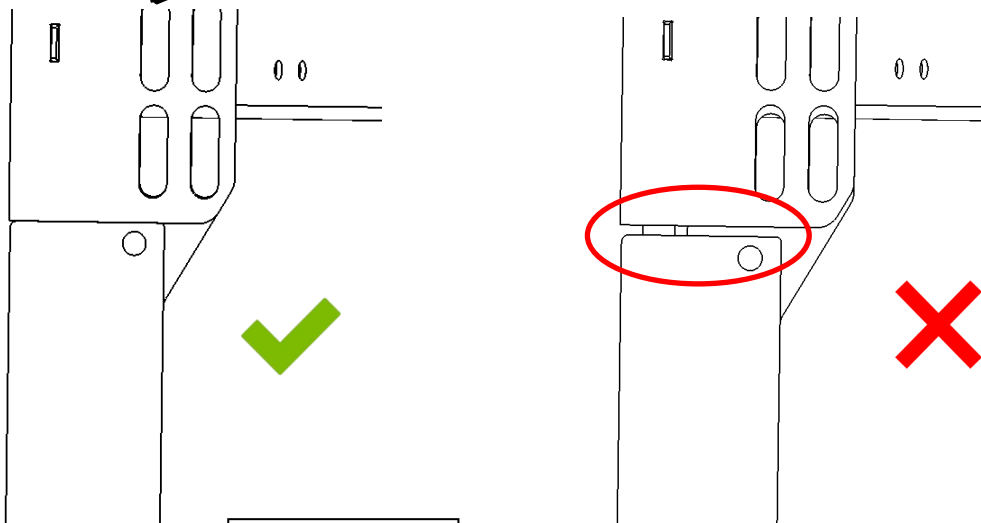
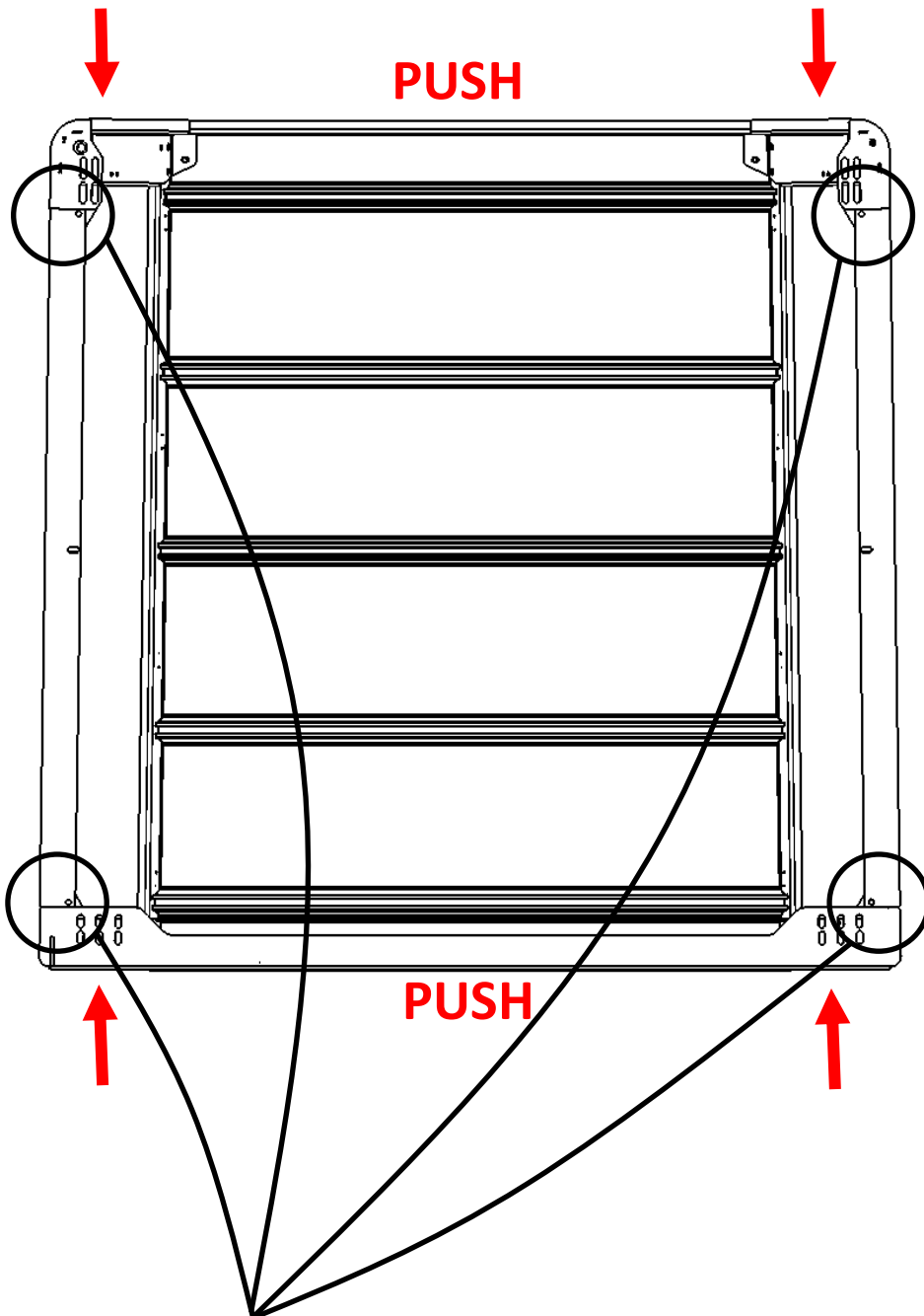


X10 M8



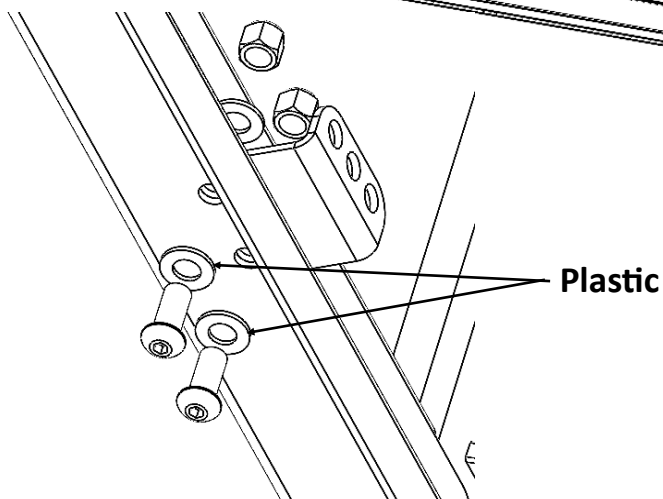
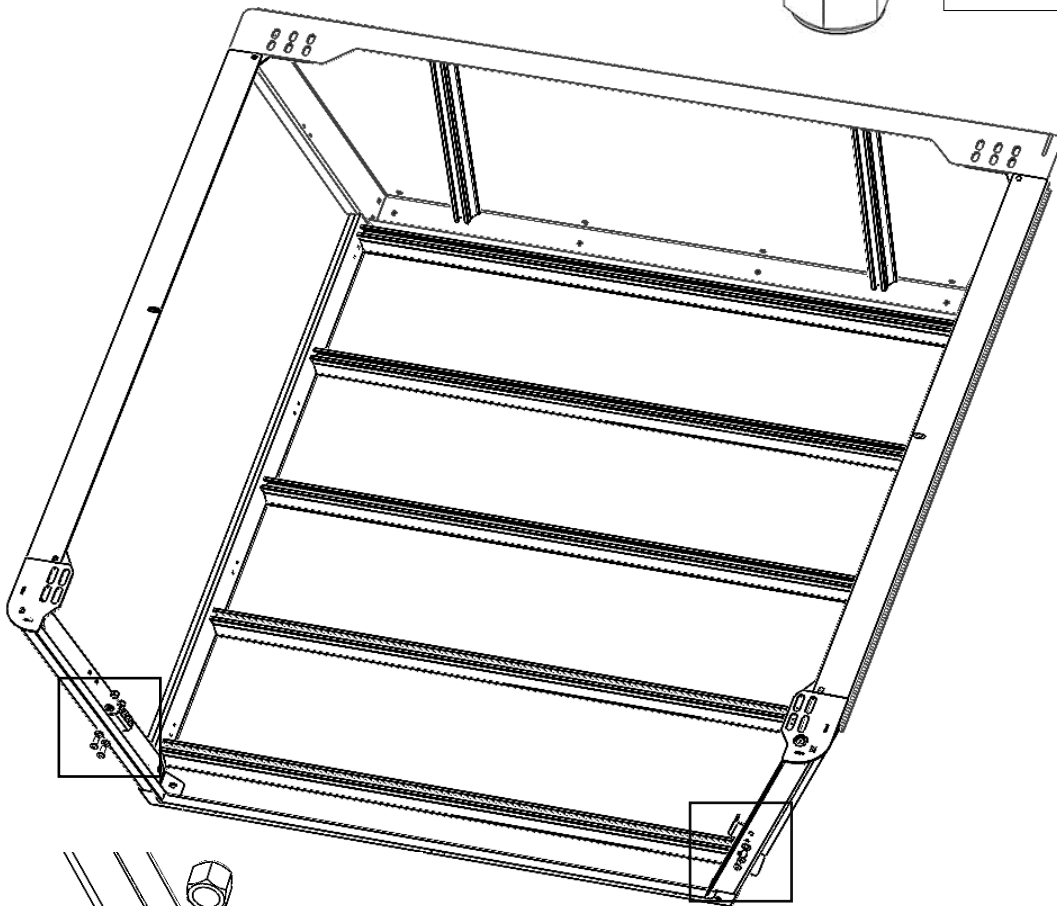
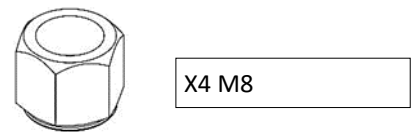
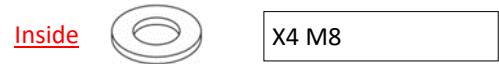
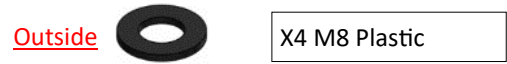
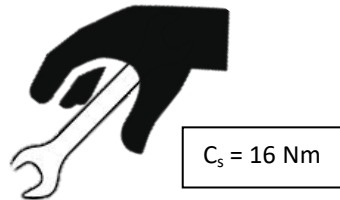
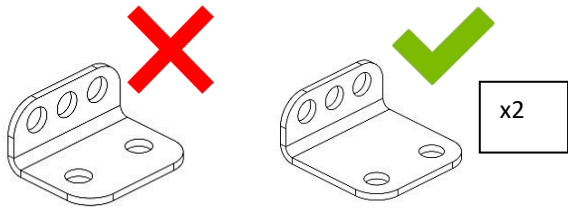
X10 M8

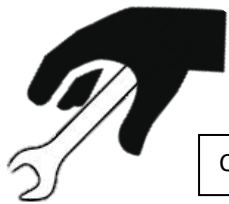
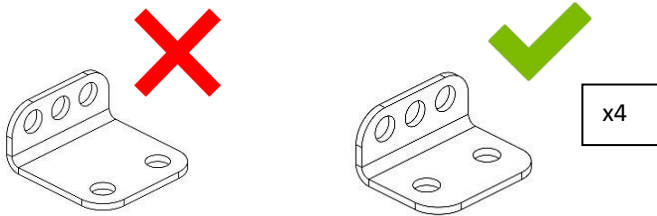




M8 : $C_s = 16 \text{ Nm}$
M6 : $C_s = 7 \text{ Nm}$

ALL SCREWS





$C_s = 16 \text{ Nm}$



X8 BHC M8x20



Outside

X8 M8 Plastic

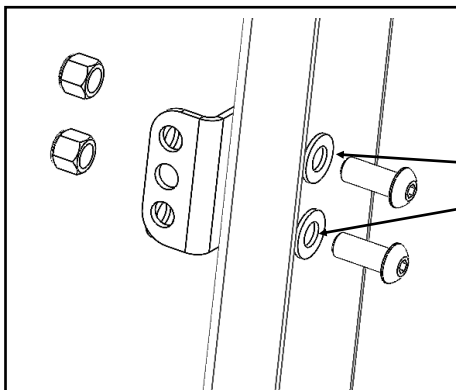


Inside

X8 M8

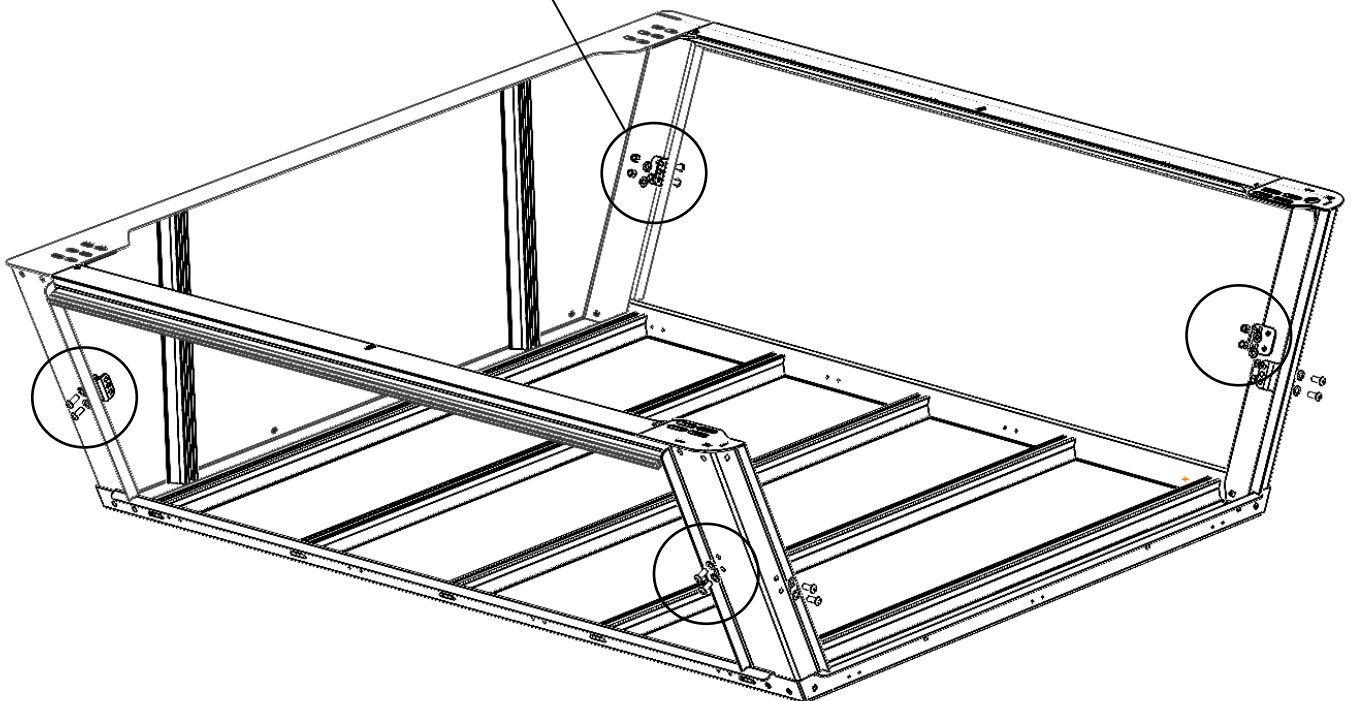


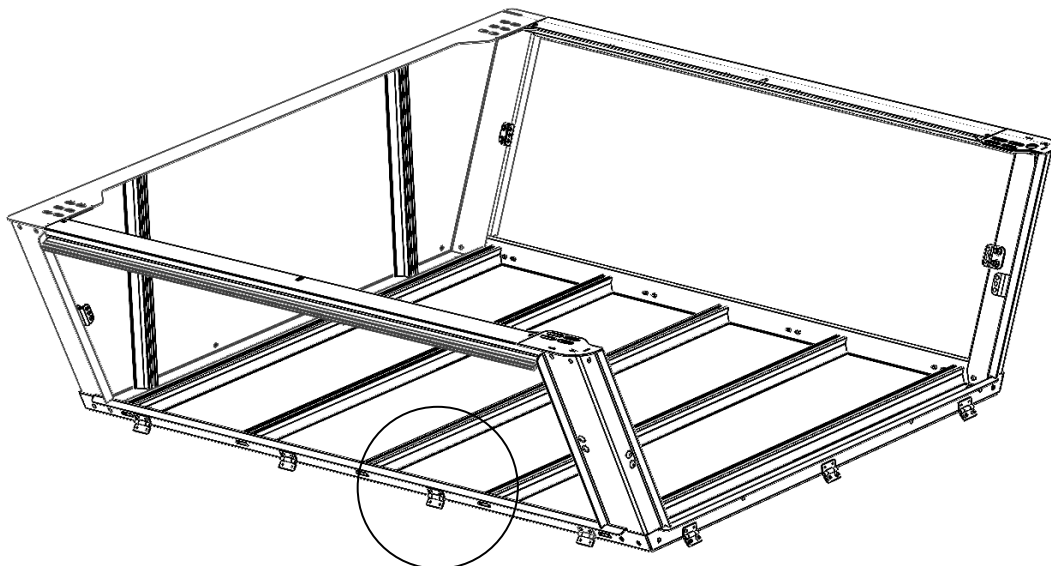
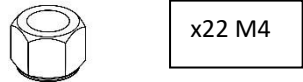
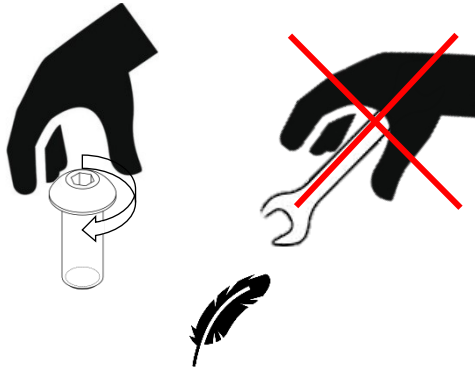
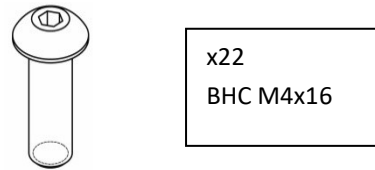
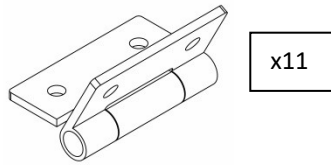
X8 M8



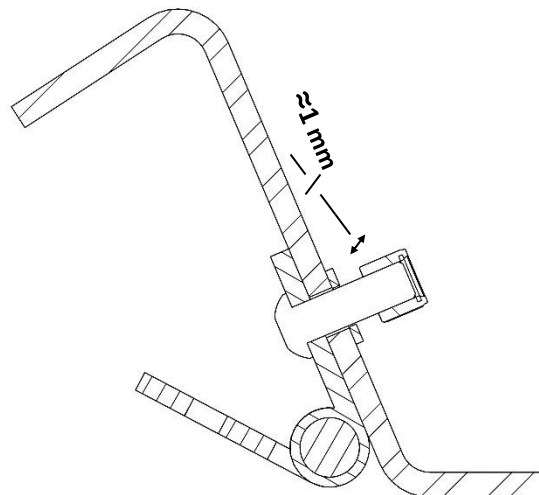
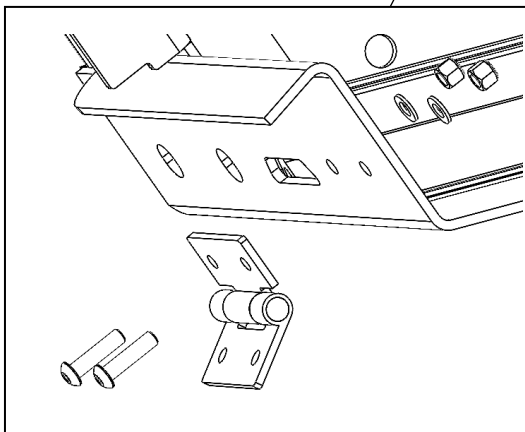
Plastic

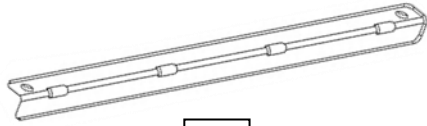
x4



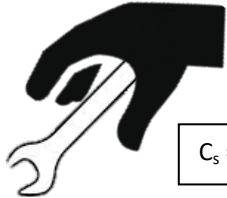


x11





x1



$C_s = 16 \text{ Nm}$



X2 BHC M8x20

Outside



X2 M8 Plastic

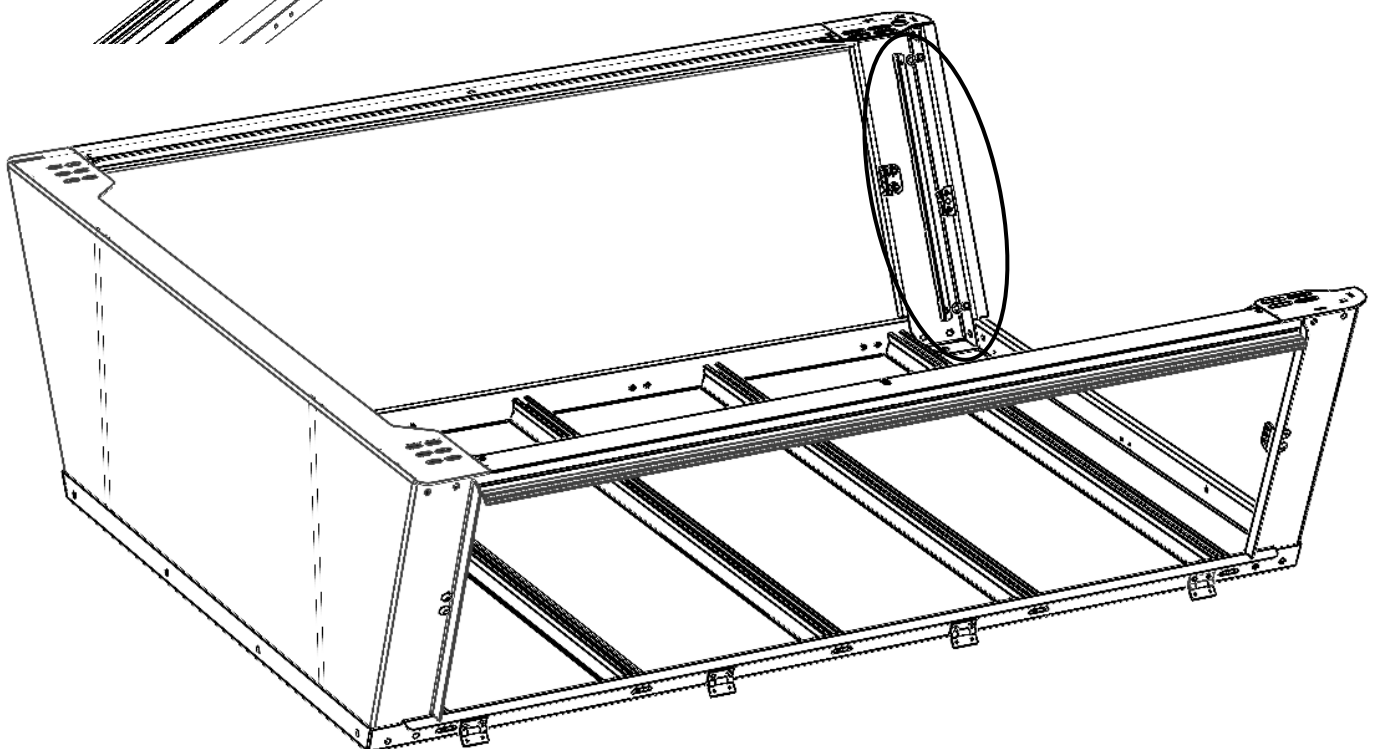
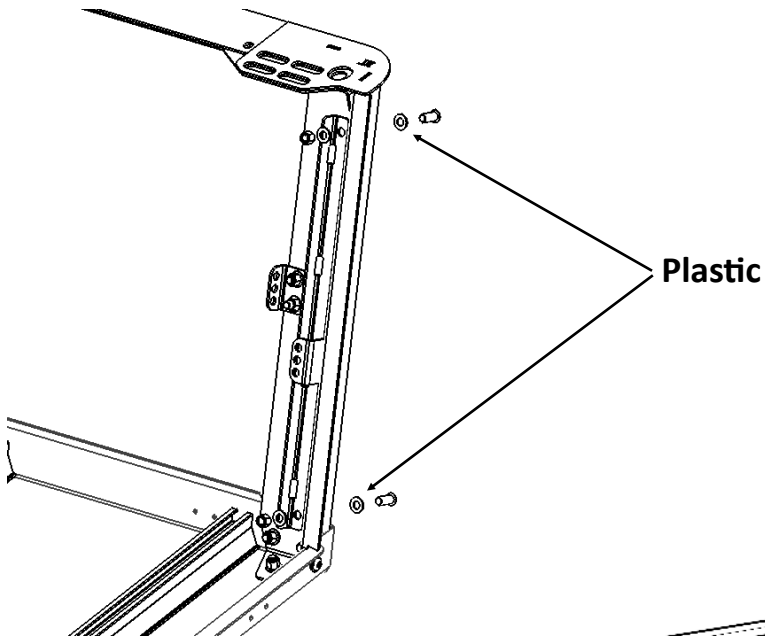
Inside

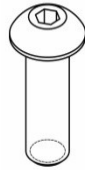
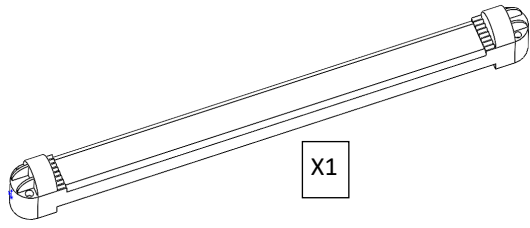


X2 M8



X2 M8





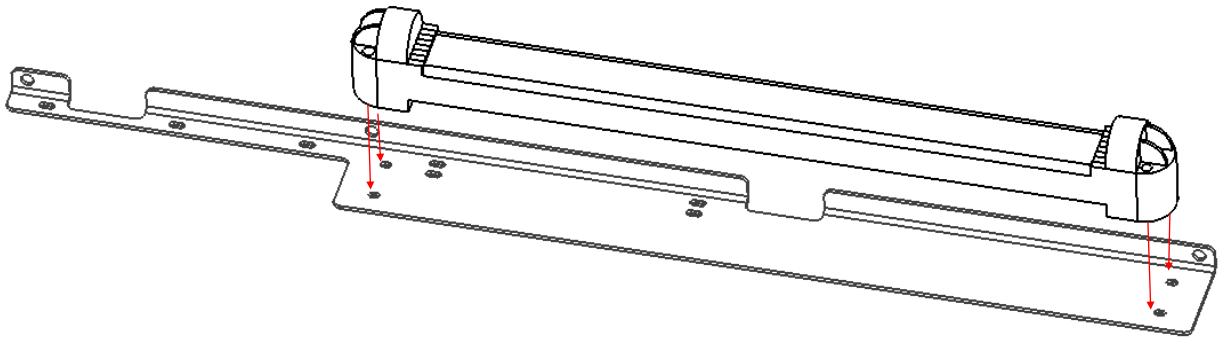
x4
BHC M4x12

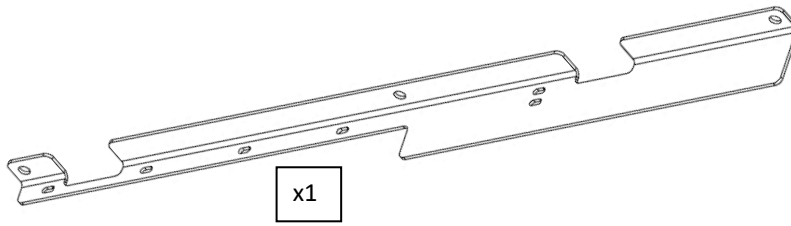


x4 M4



x4 M4

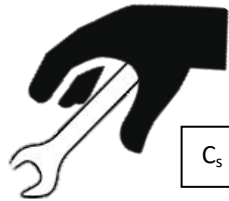




x1



X3 BHC M8x20



$C_s = 16 \text{ Nm}$

Outside



X3 M8 Plastic

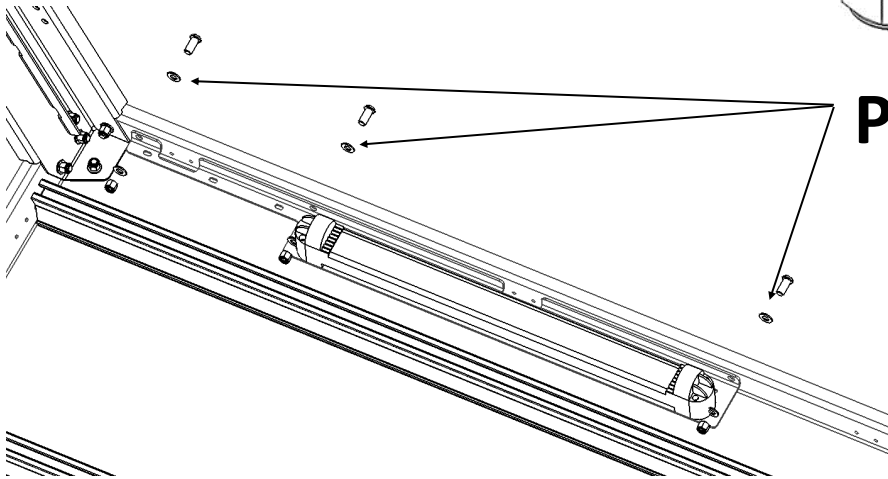
Inside



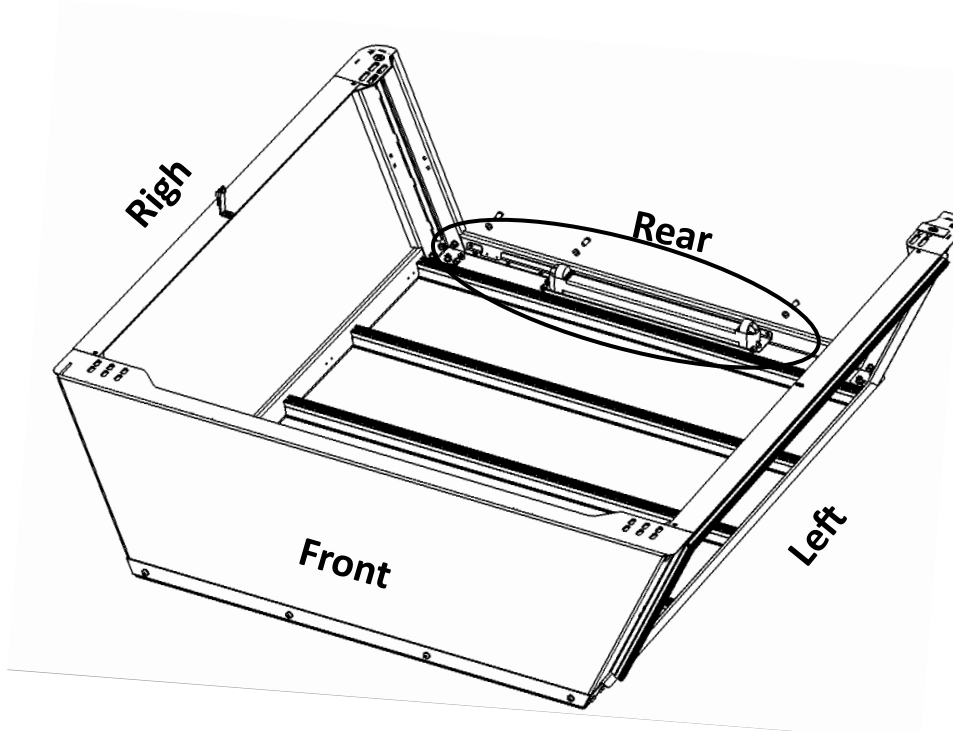
X3M8

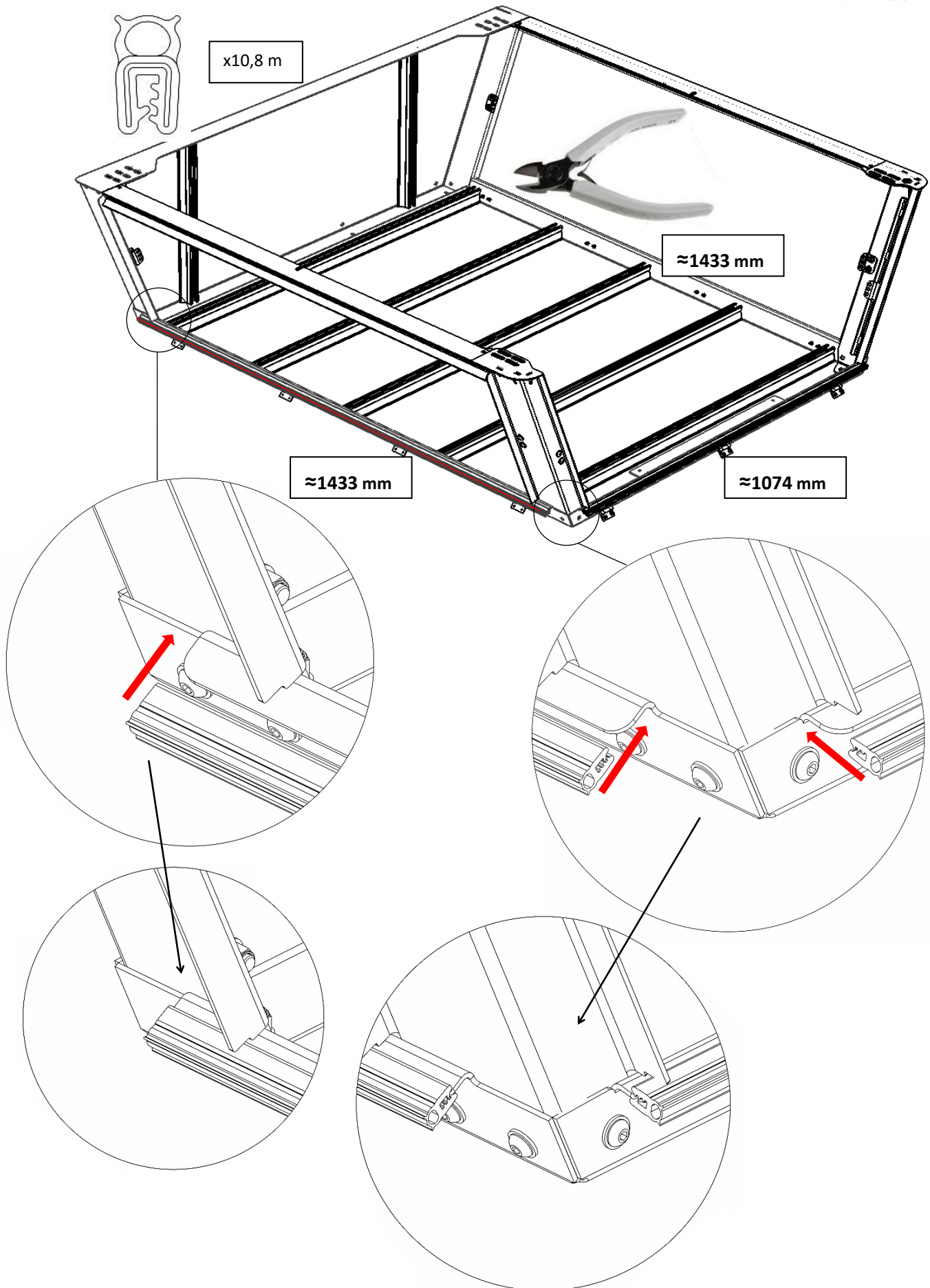


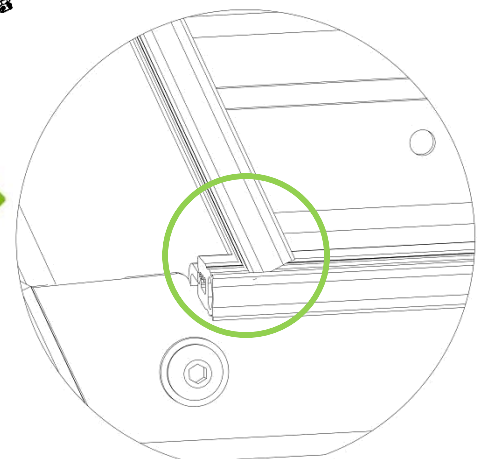
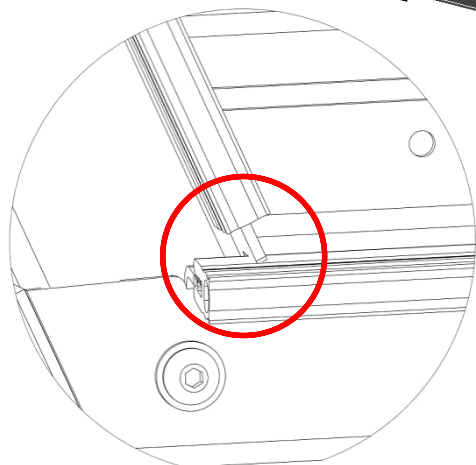
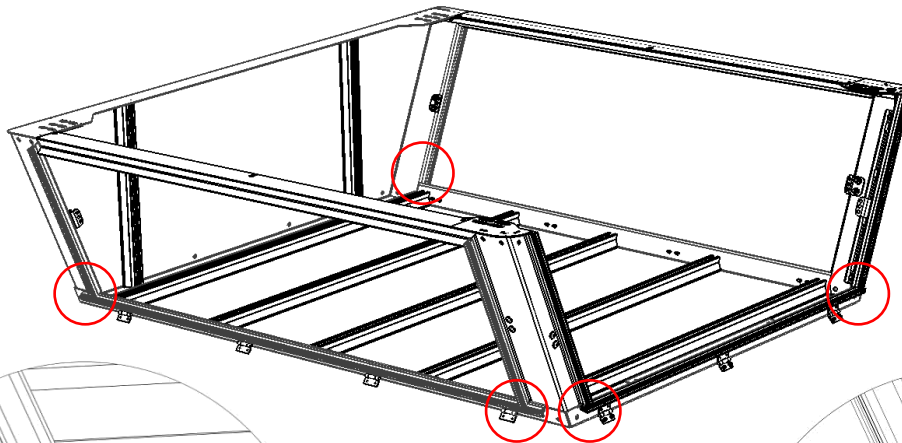
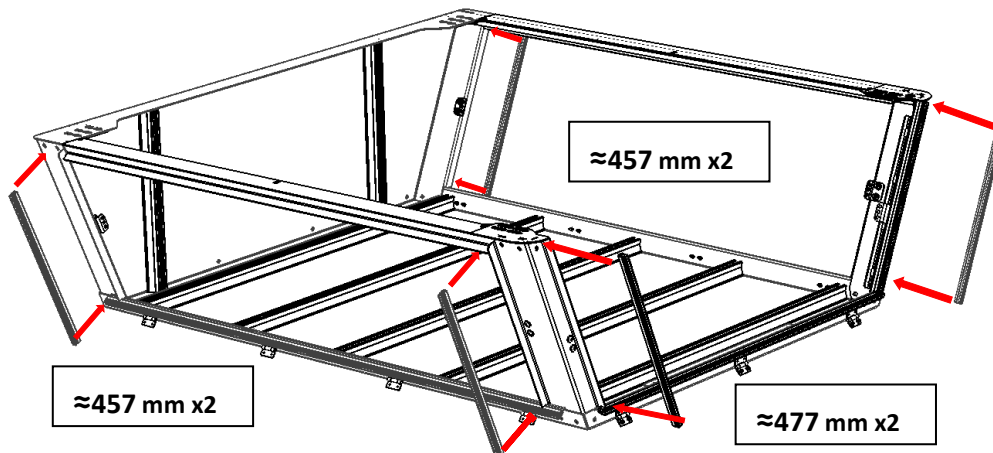
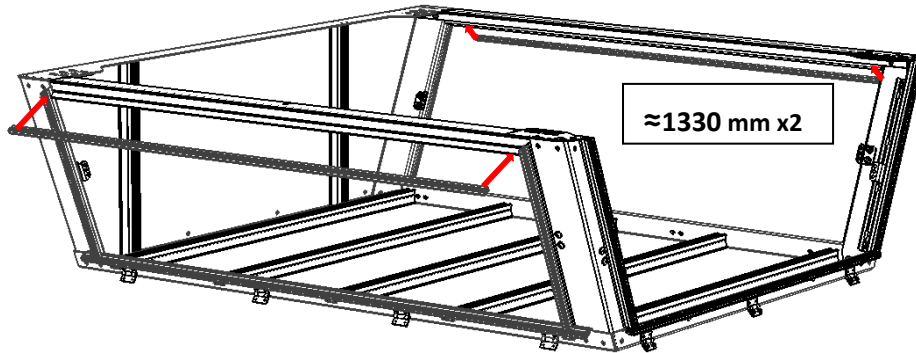
X3 M8

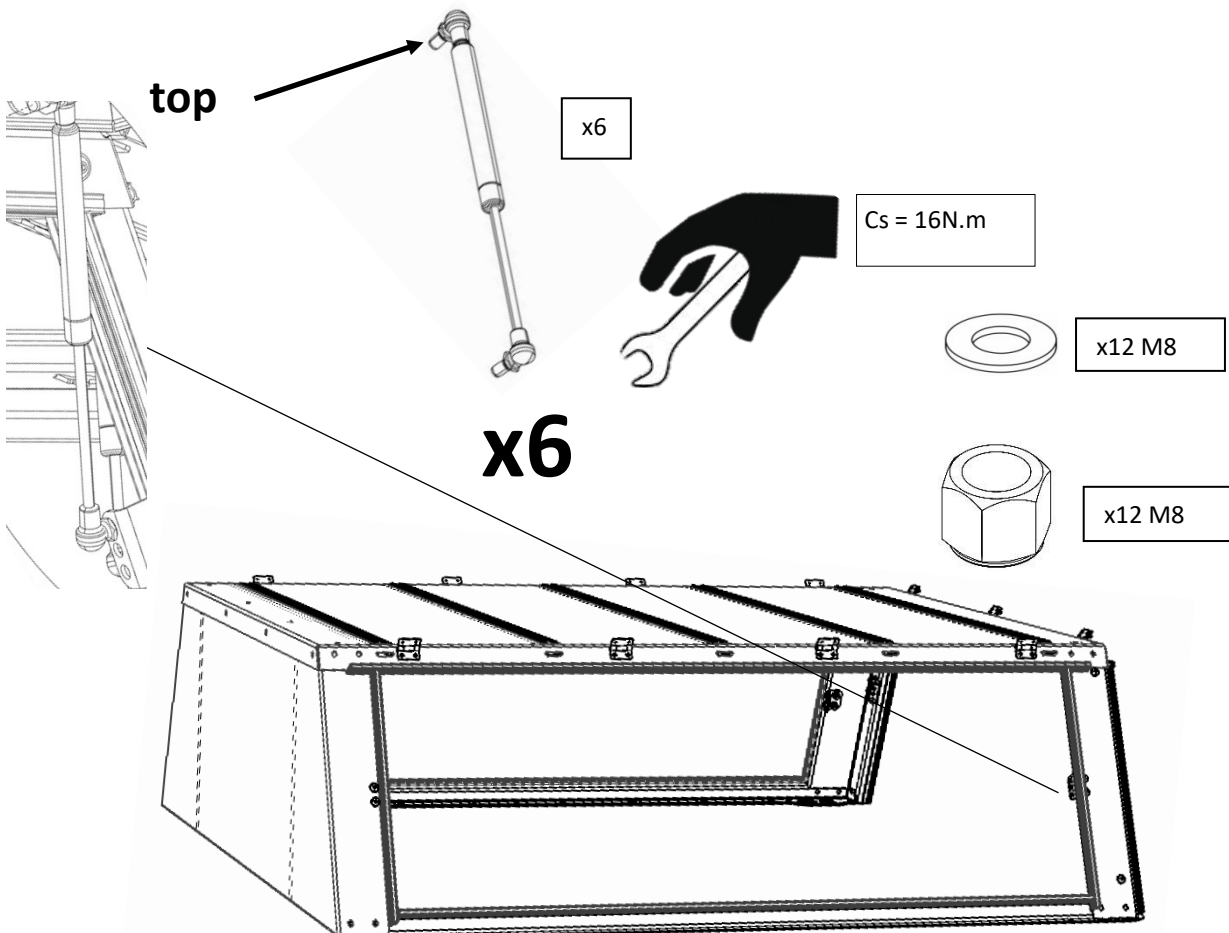
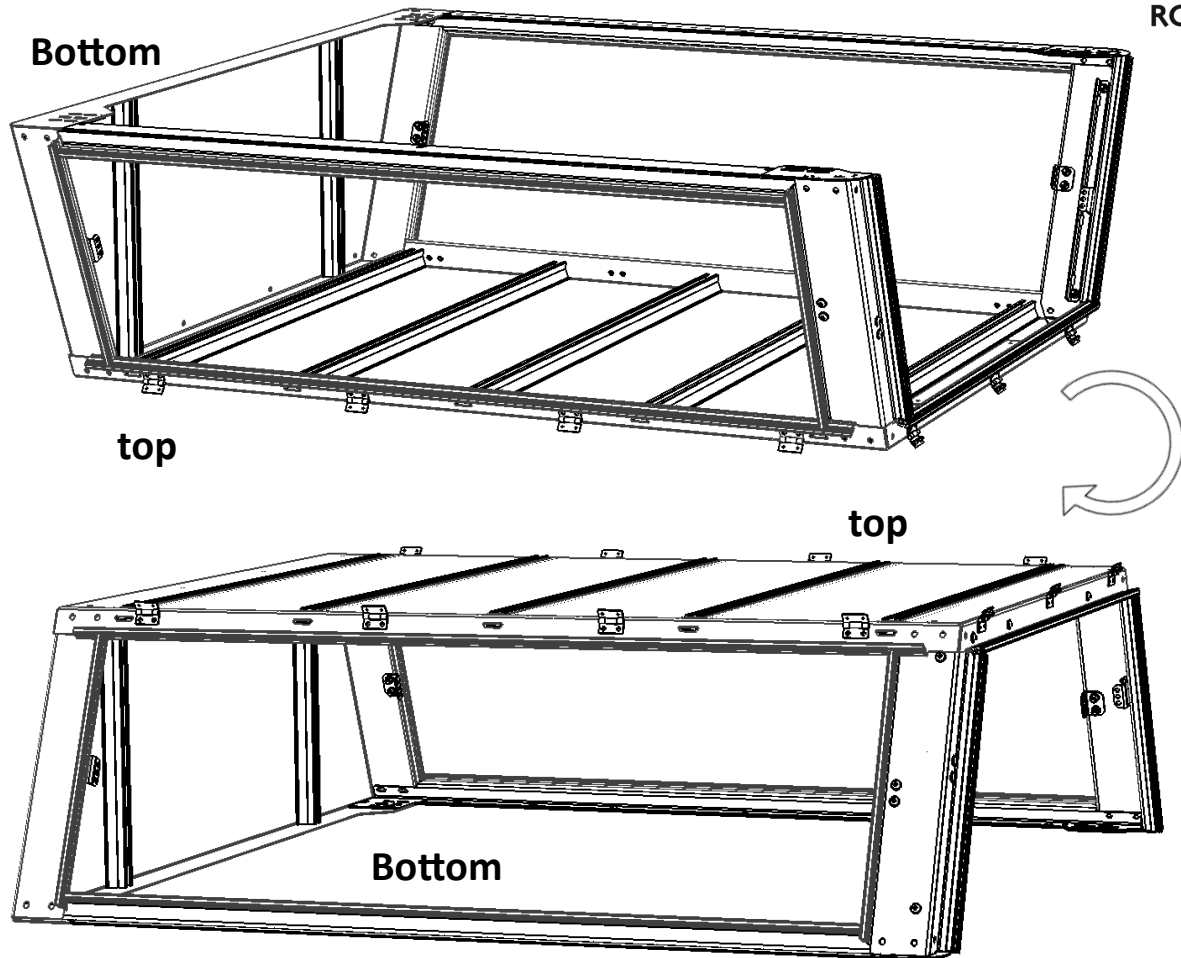


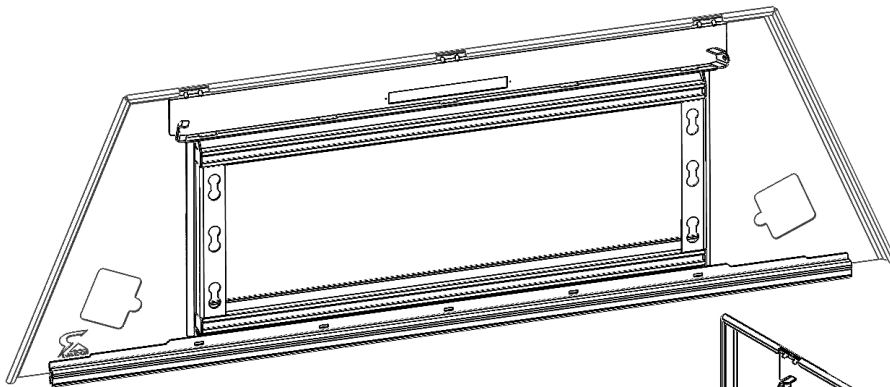
Plastic



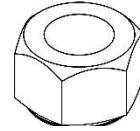




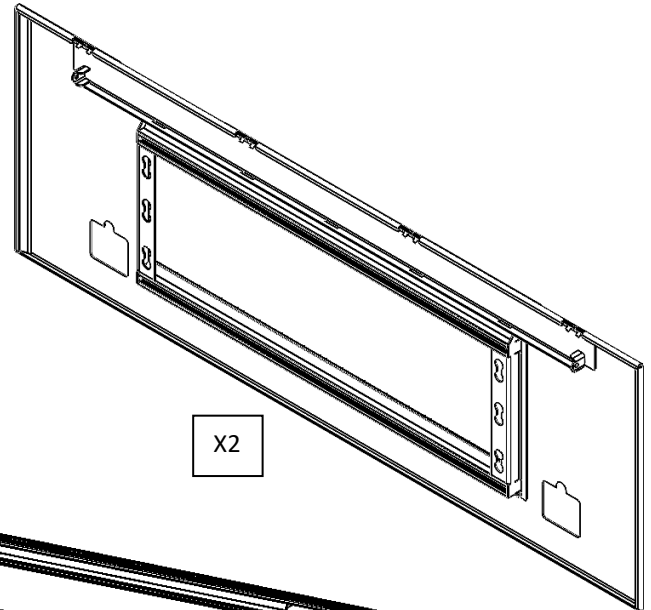
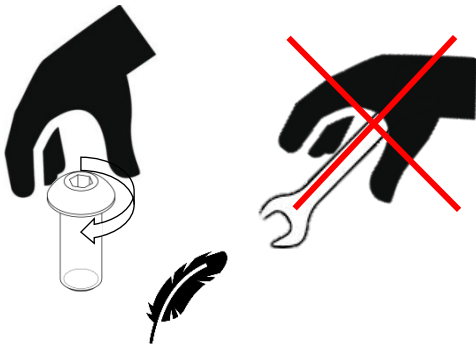




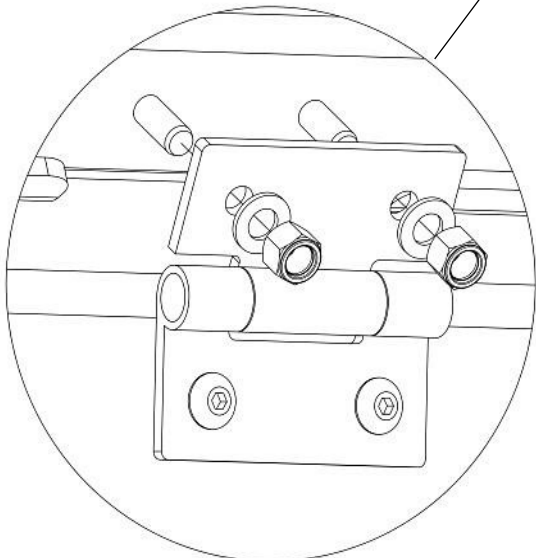
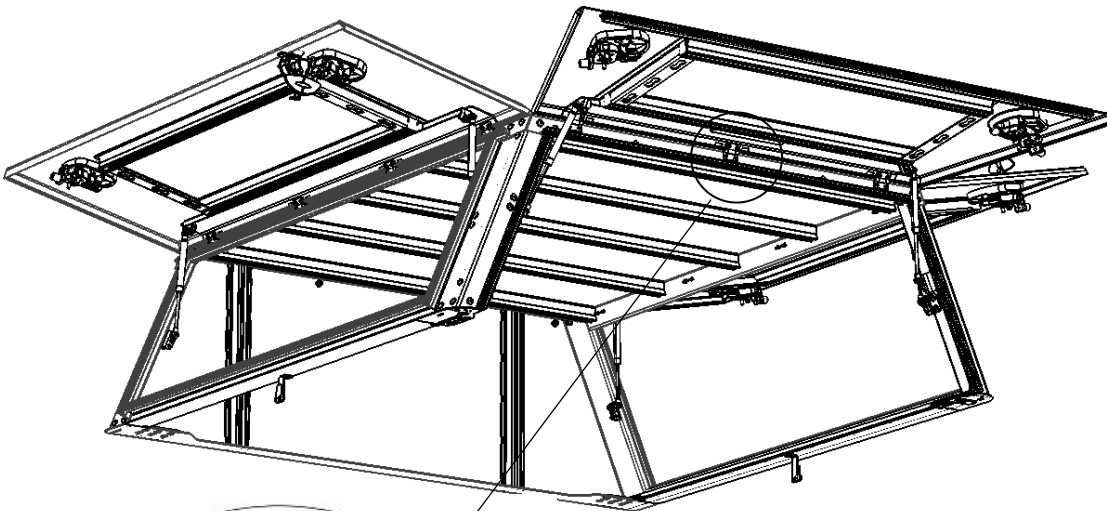
X22 M4



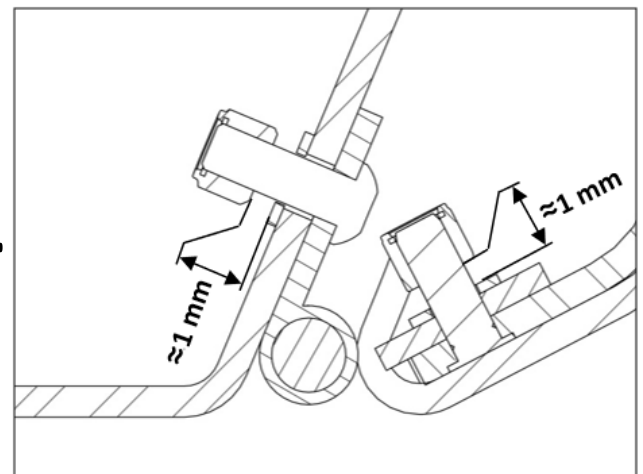
X22 M4

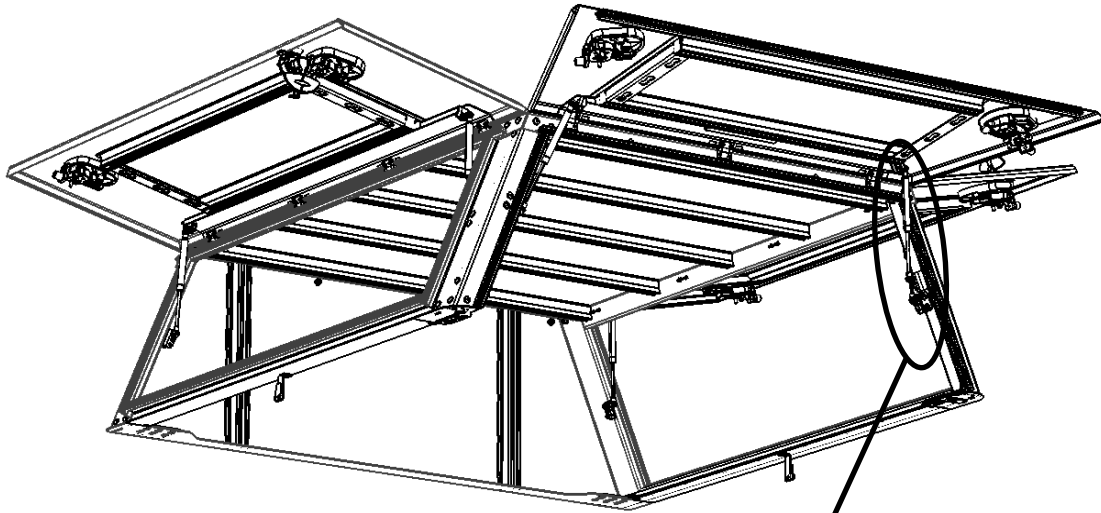


X2

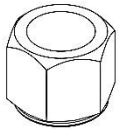


x11

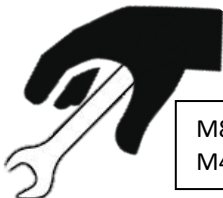
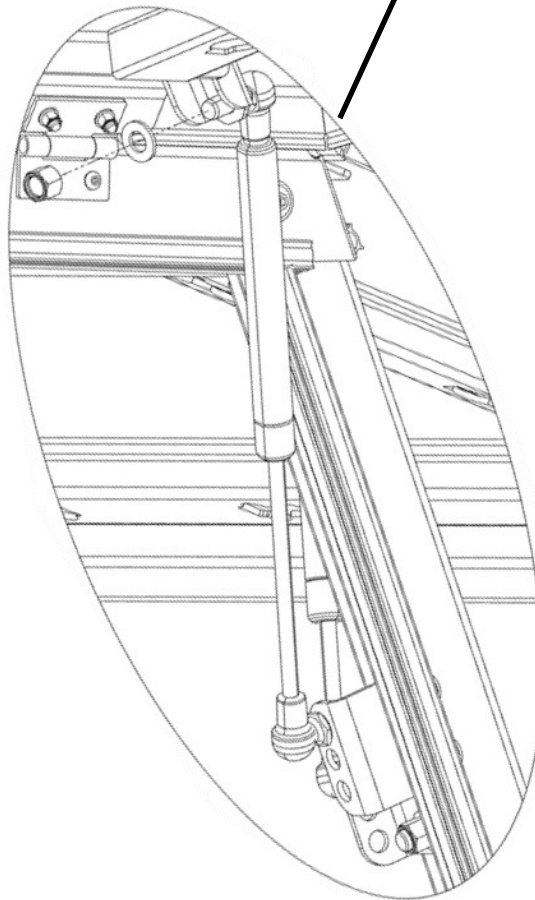




x12 M8

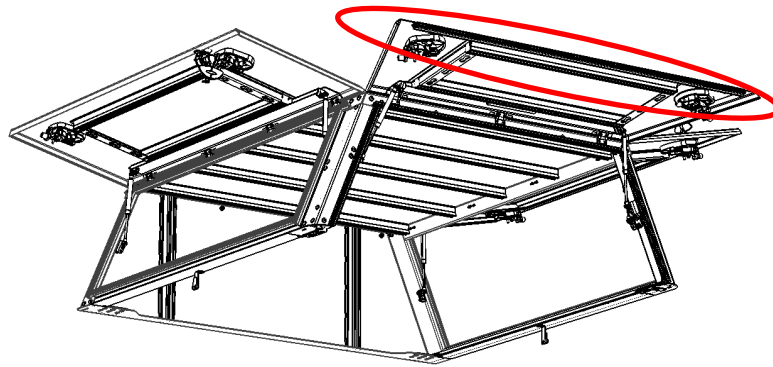


x12 M8

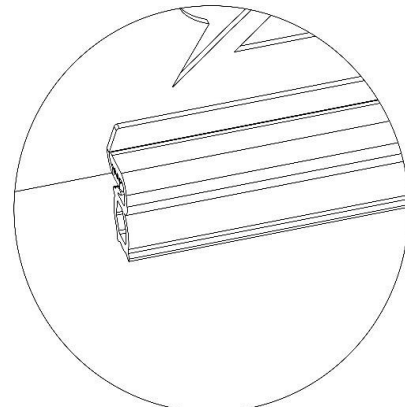
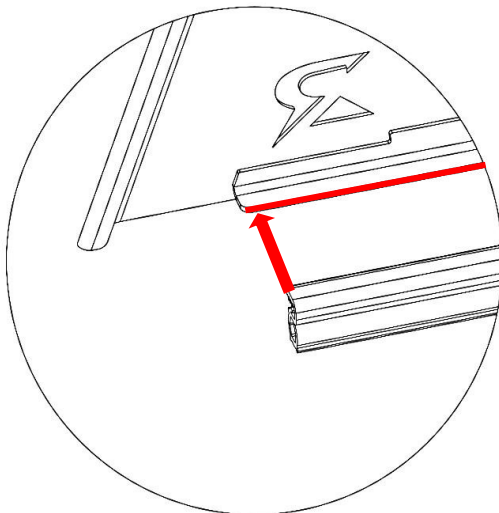
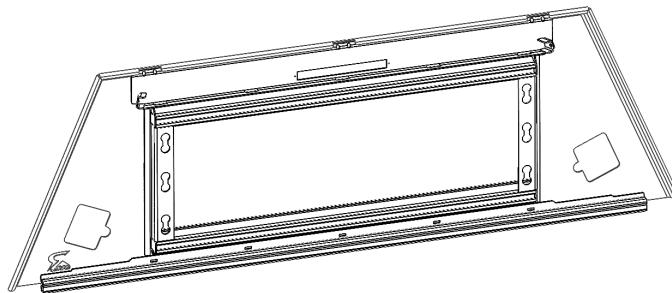
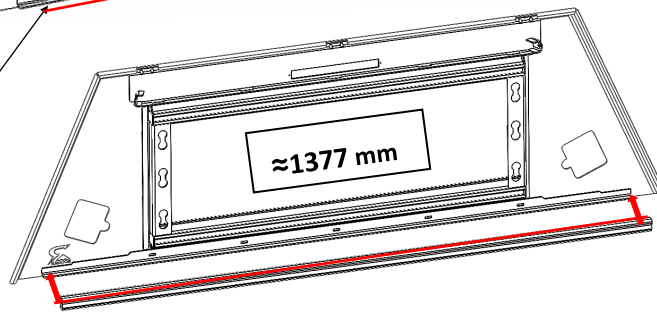
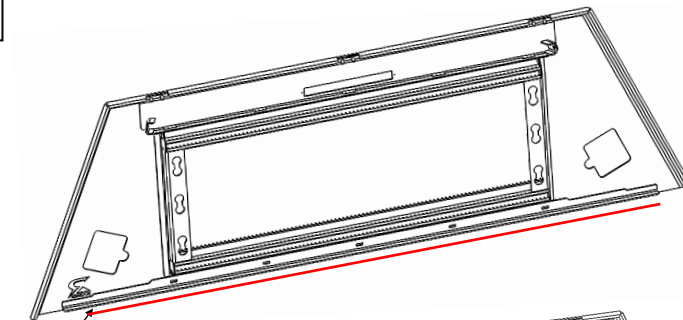


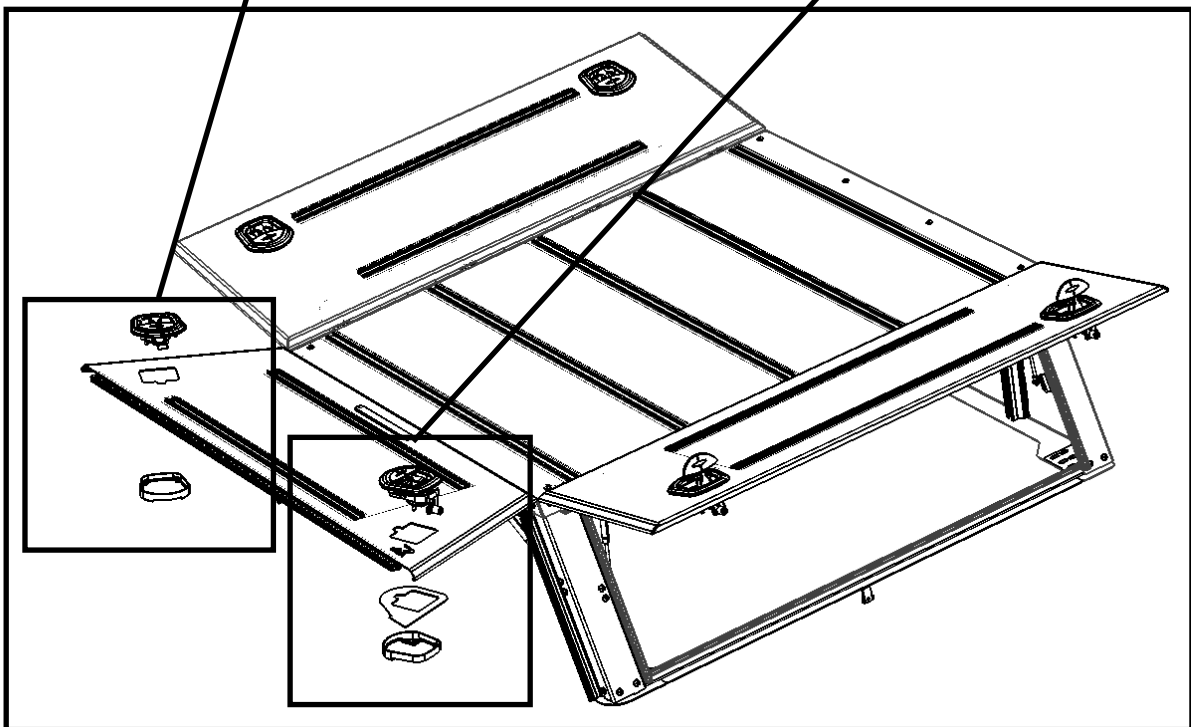
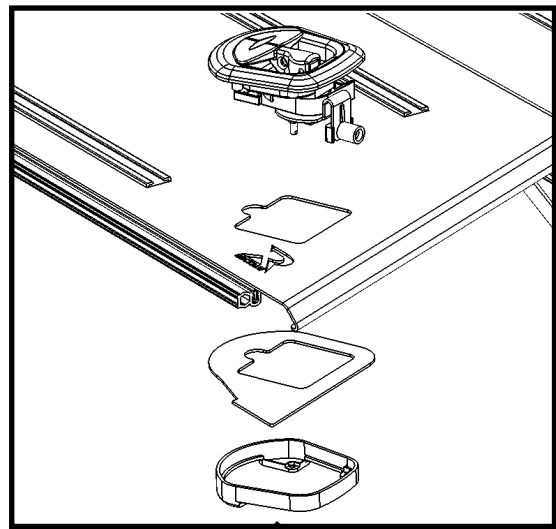
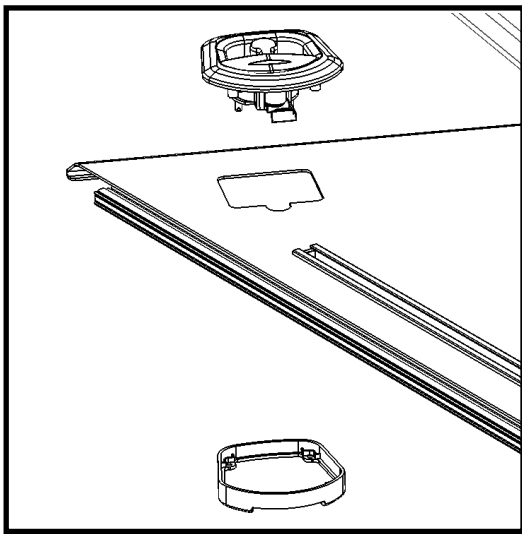
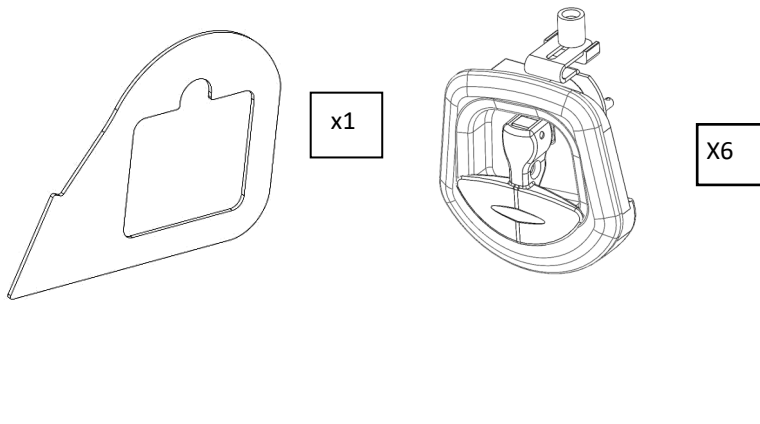
M8 : $C_s = 16 \text{ Nm}$
M4 : $C_s = 3 \text{ Nm}$

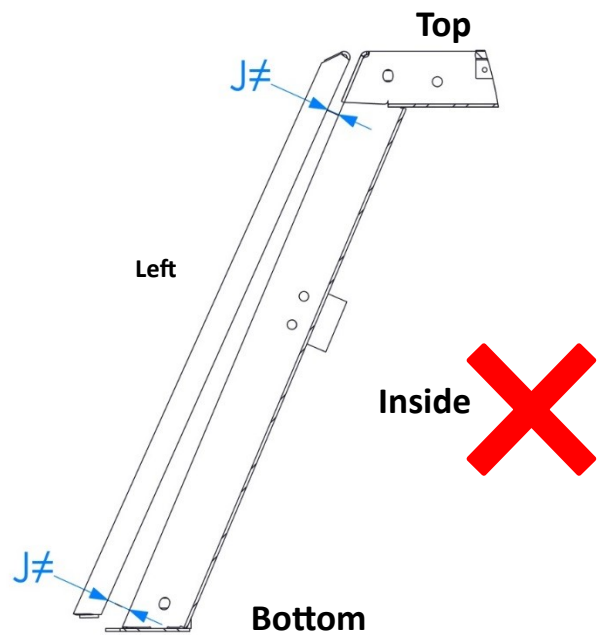
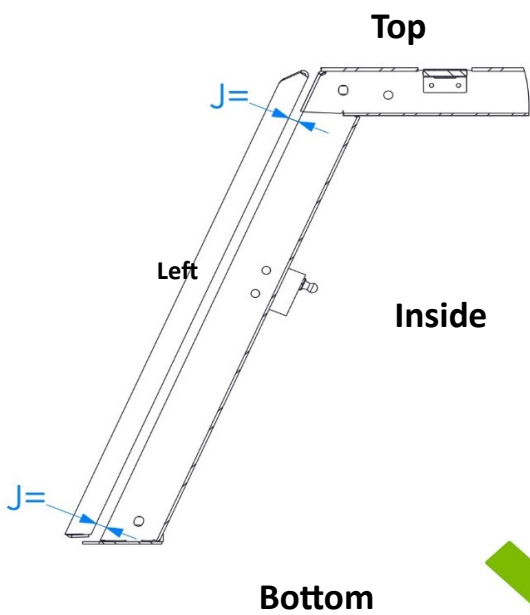
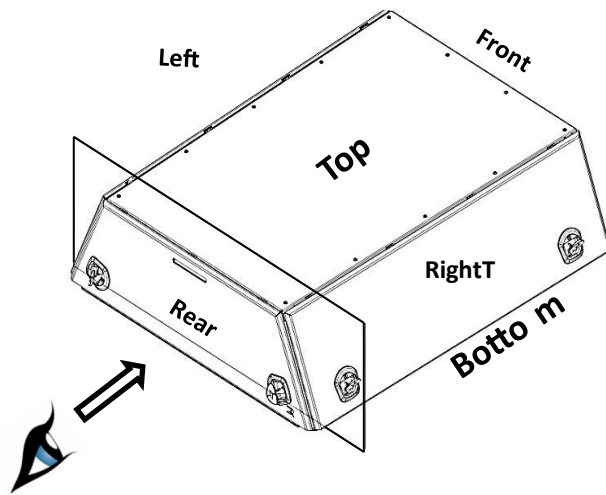
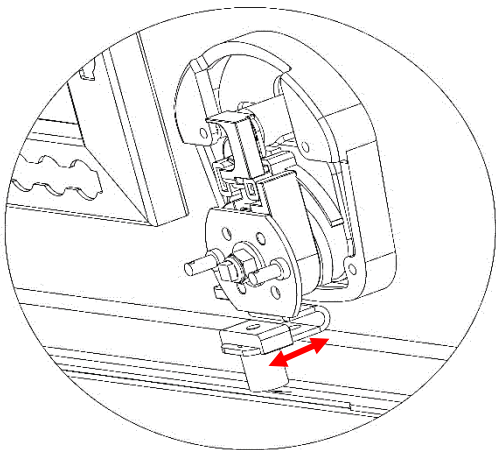
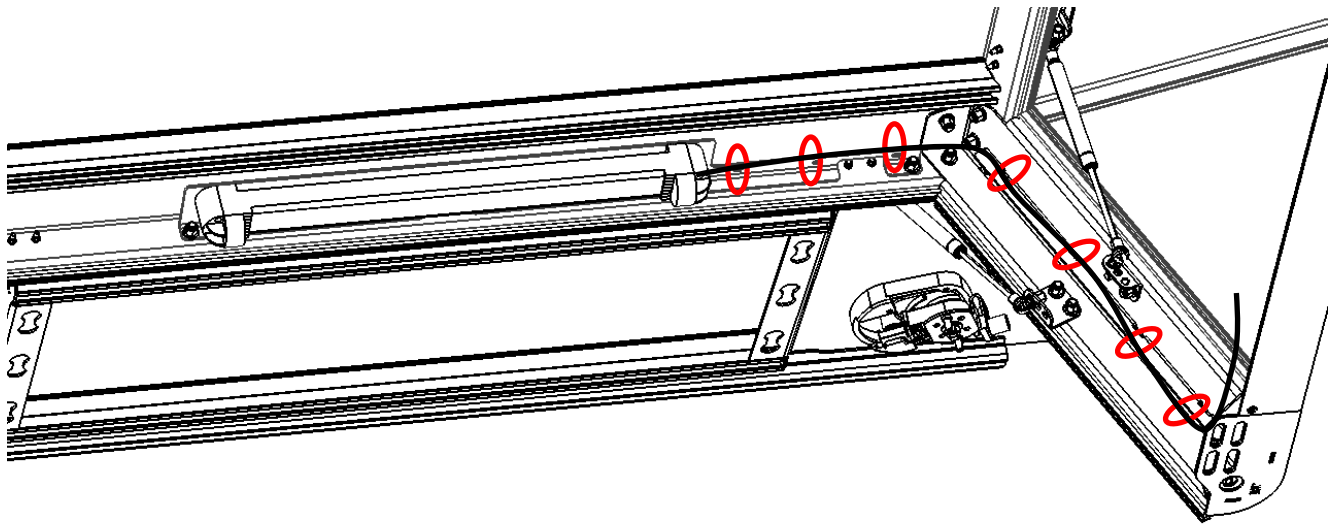
ALL SCREWS



x1,5 m



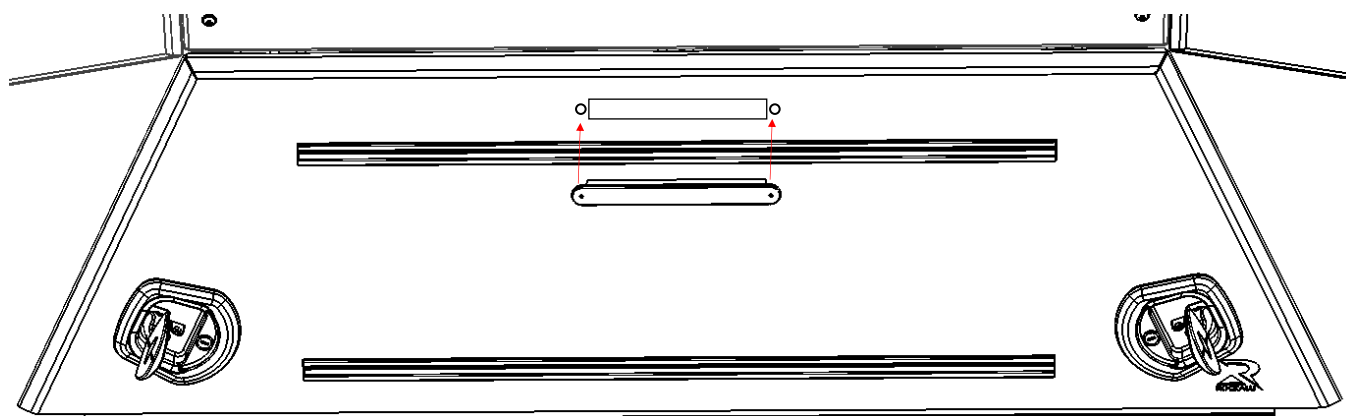
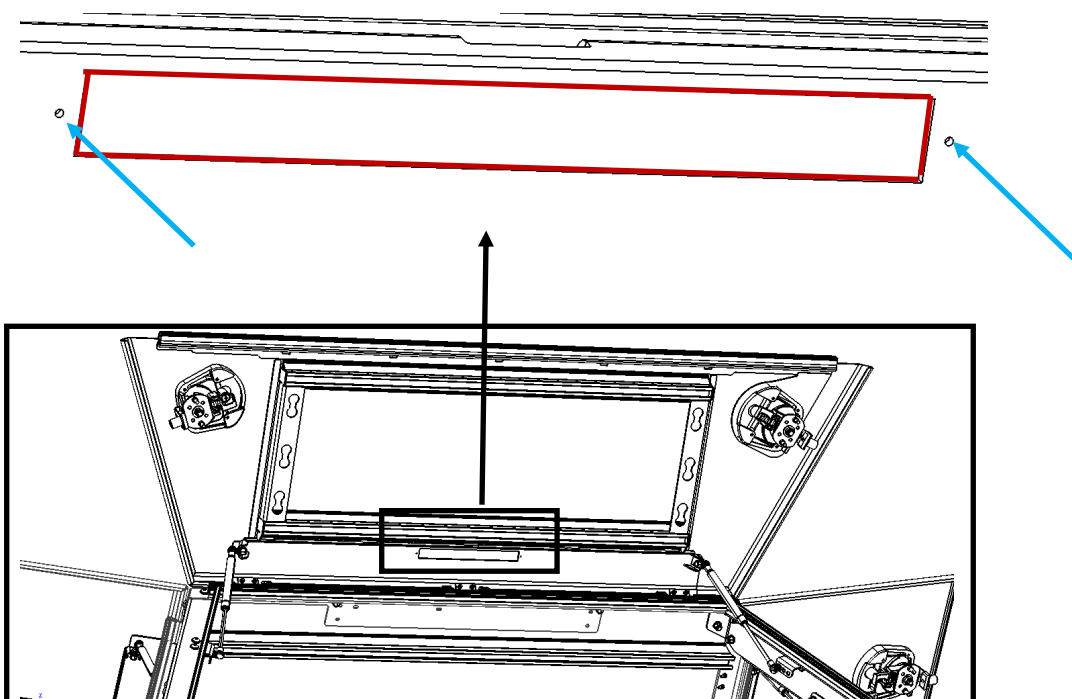
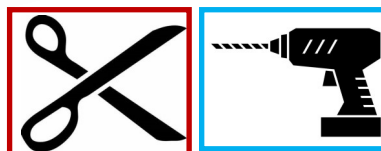
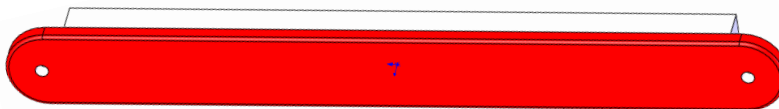




Option :

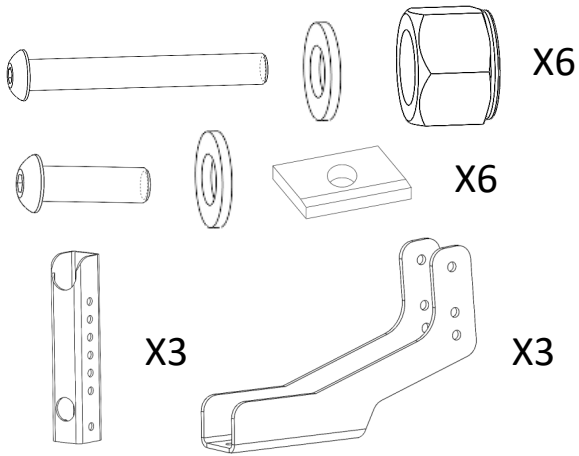


ONLY FOR :

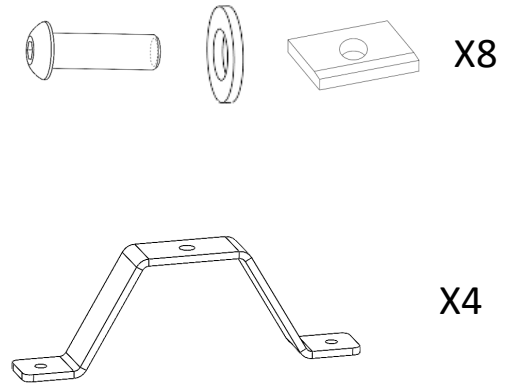


ASSEMBLY

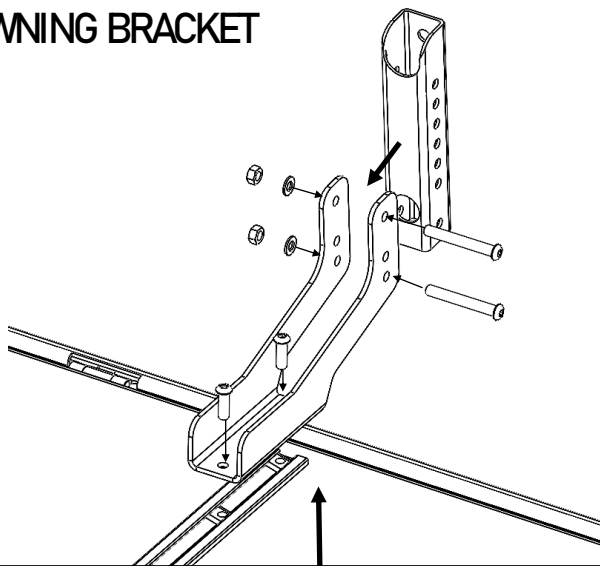
AWNING BRACKET



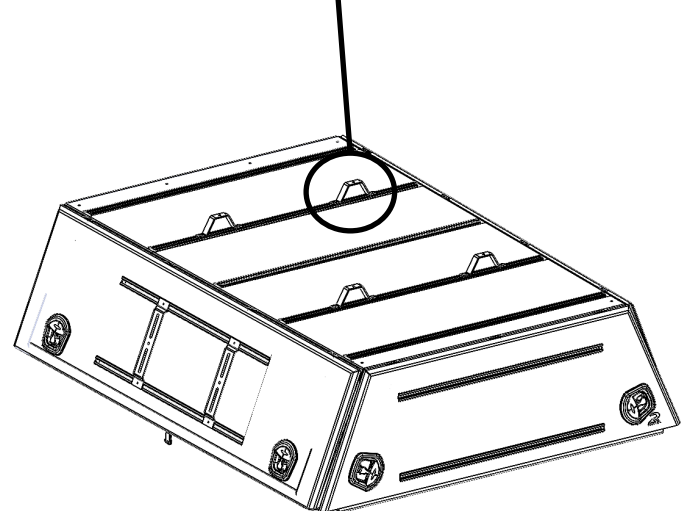
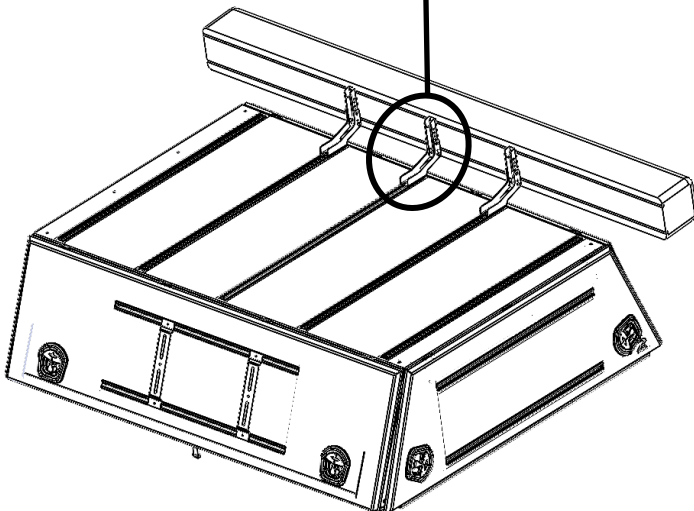
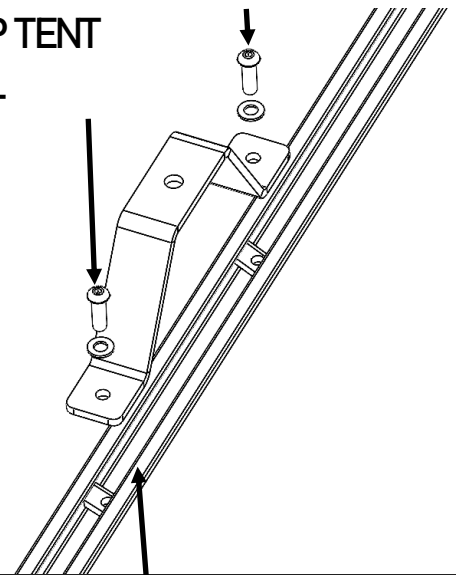
ROOFTOP TENT BRACKET



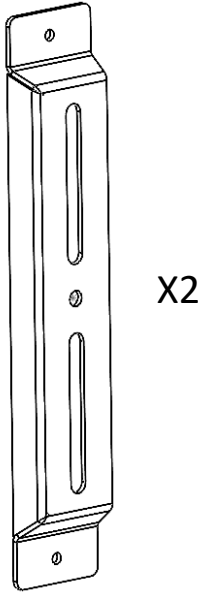
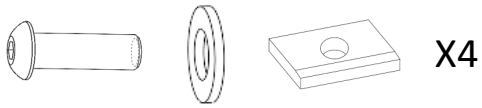
AWNING BRACKET



ROOFTOP TENT BRACKET



ACCESSORIES BRACKET



FRONT OF VEHICLE

