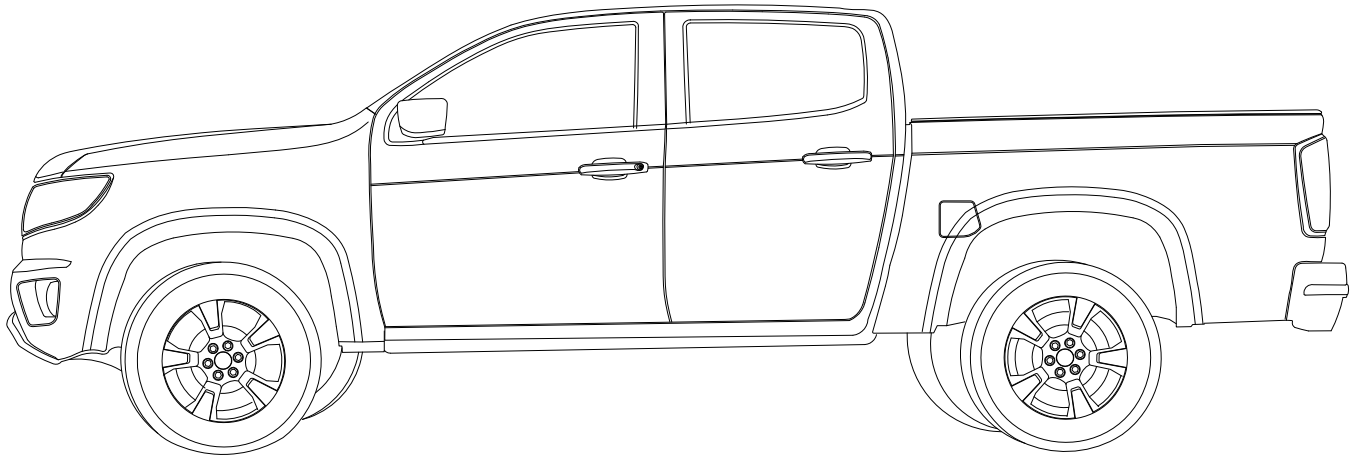




Installation Guide

Nissan NP 300

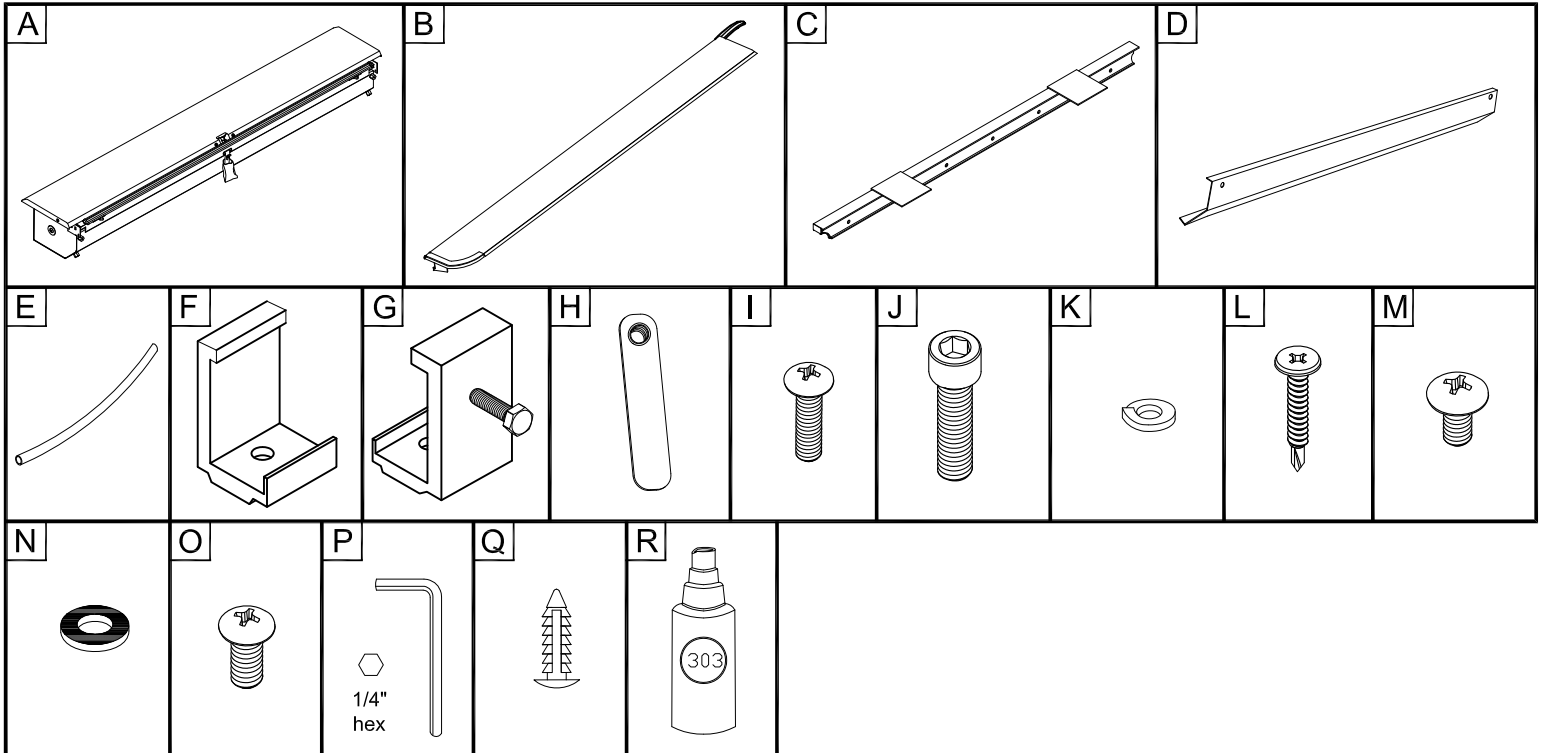


Product Code:
814 - 830

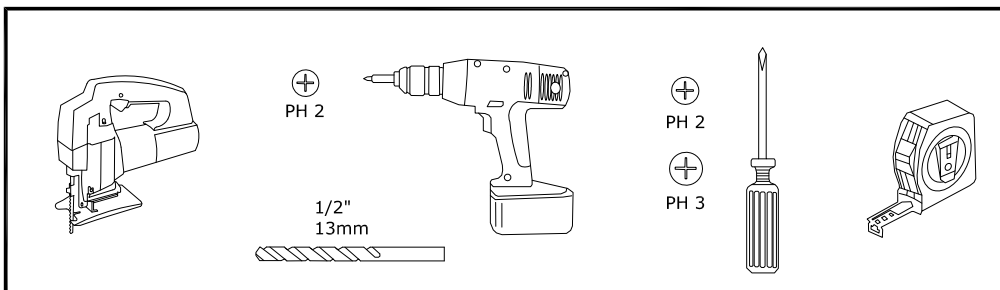
EN	Installation Guide
ES	Instrucciones de Instalación
DE	Montageanleitung
IT	Istruzioni per l'installazione
FR	Les Instructions d'Installation
TH	คำแนะนำในการติดตั้ง
RU	Инструкция по установке
AR	تعليمات التثبيت

Parts List

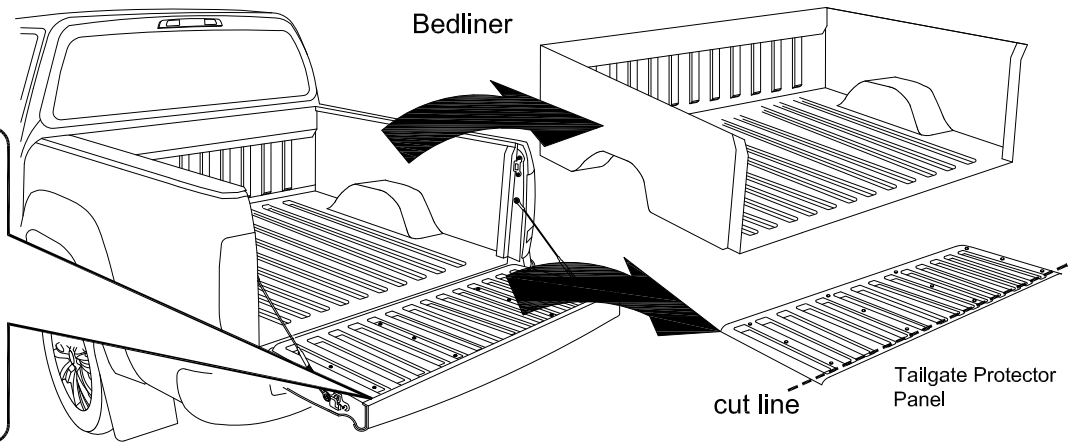
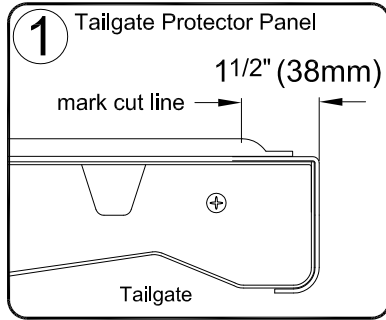
Item	Part Name	Qty.	Item	Part Name	Qty.	Item	Part Name	Qty.
A	Housing	1	G	"O" Bed Clamp with alignment screw	2	L	#8 x 1 1/2" Tap Screw	5
B	Track	2	H	Cargo Nut	2	M	1/4"-20 x 3/8" Screw	4
C	Tailgate Extrusion	1	I	#10-24 x 1/2" Screw	2	N	Rubber Washer	4
D	Cargo Shield	1	J	5/16" Socket Cap Screw	6	O	Lid Screws	2
E	Drain Tube	2	K	5/16" Lock Washer	6	P	Allen Wrench (1/4")	1
F	"O" Bed Clamp	4	Q	Hole Plug	2	R	303 Vinyl Protector	1



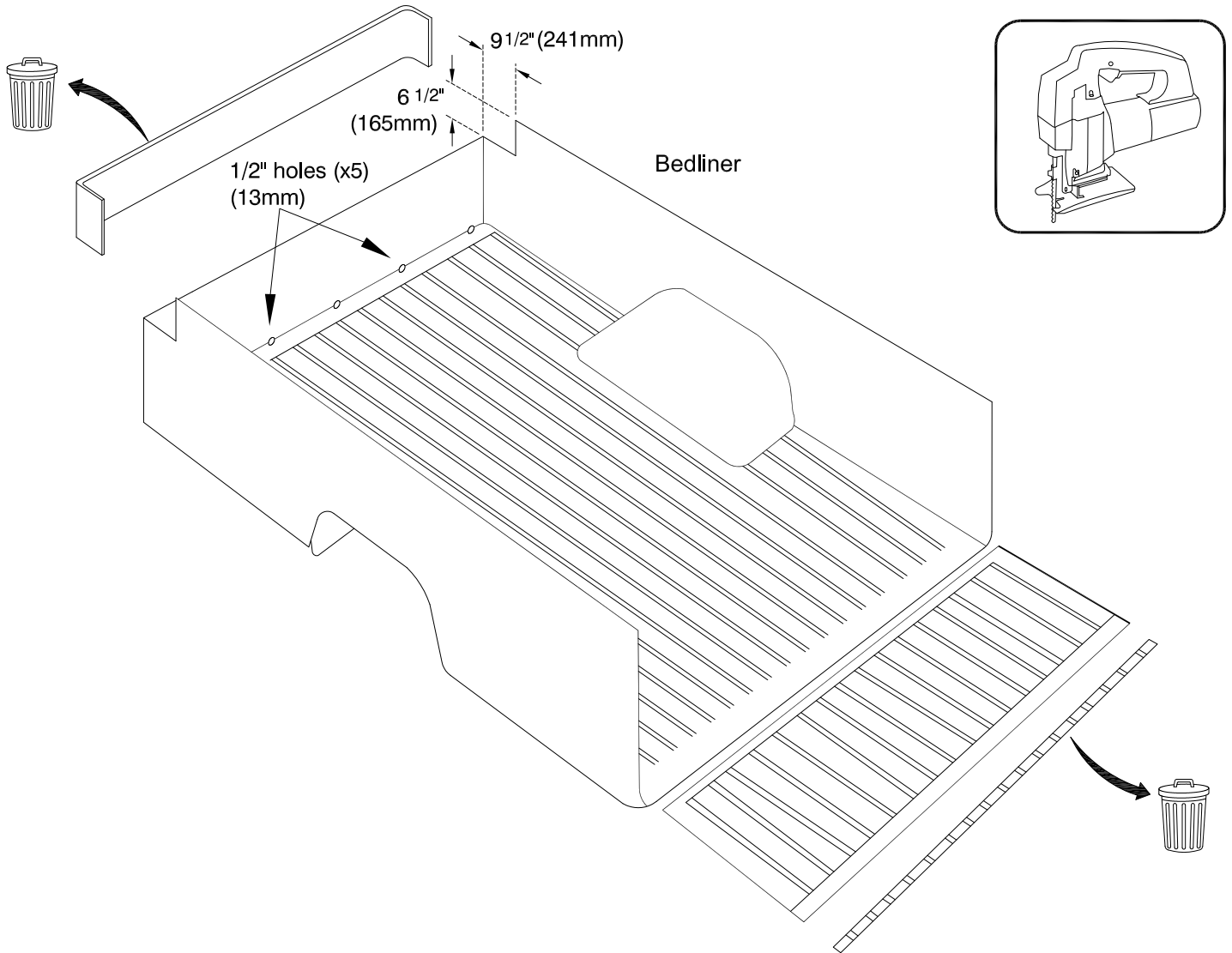
Tools Needed



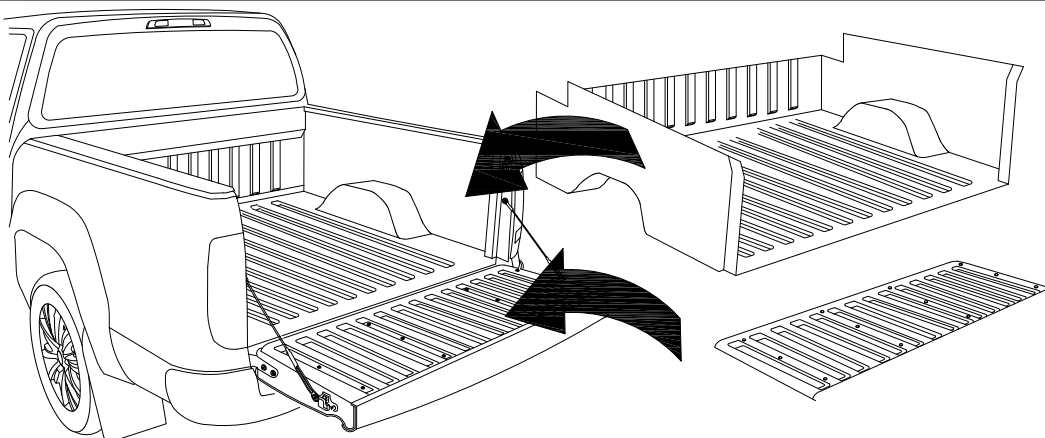
1a If no bedliner present
proceed to
page 4 - step 1



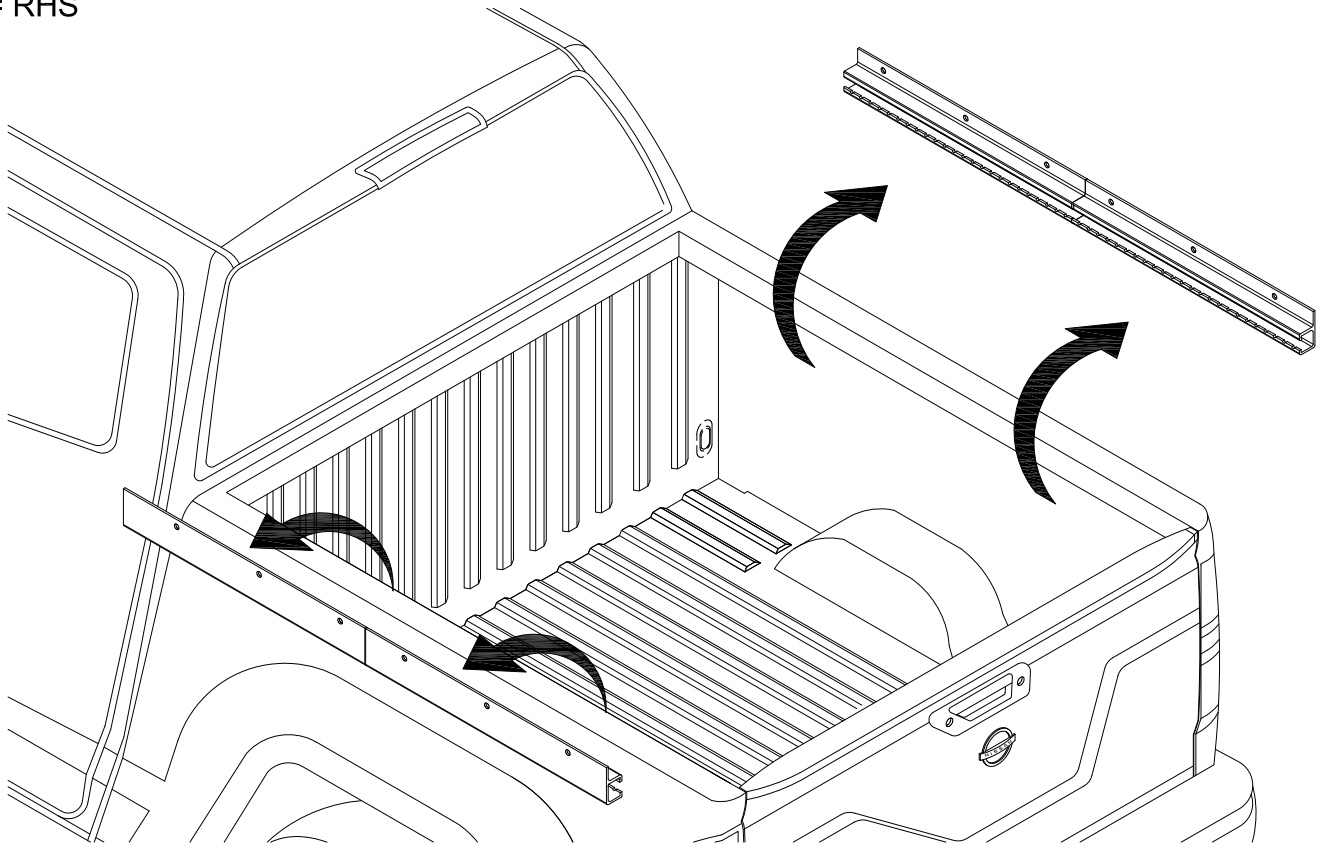
1b



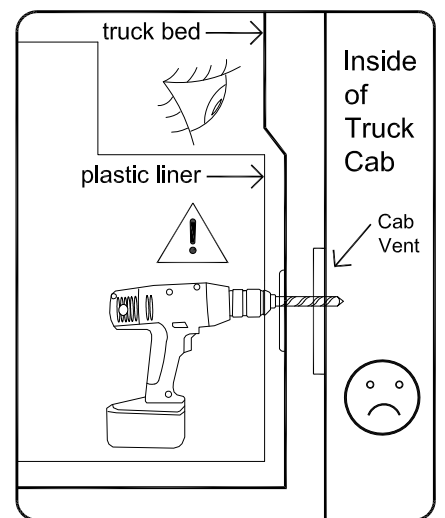
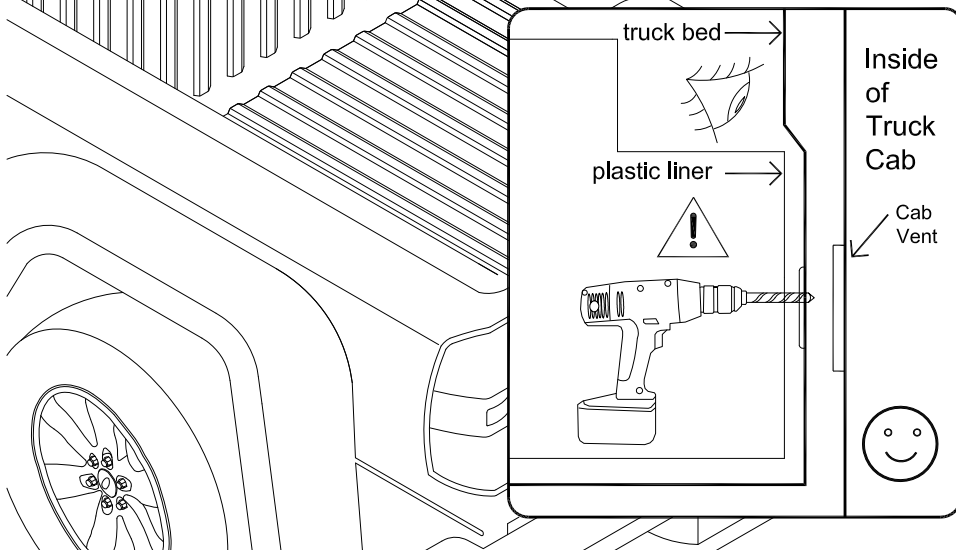
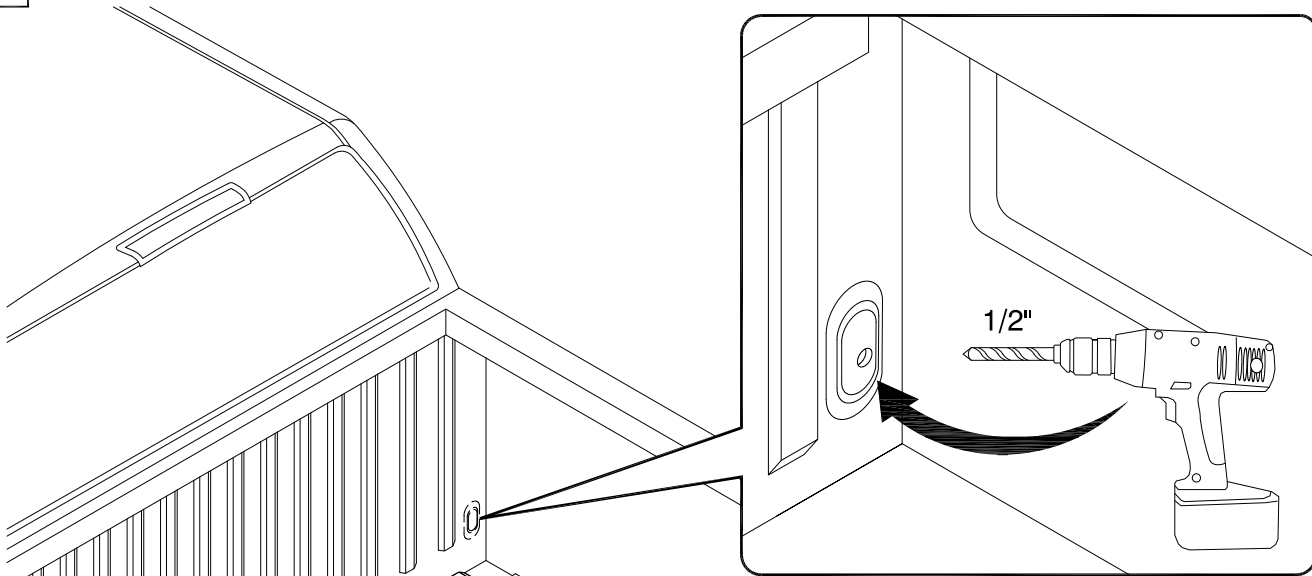
1c



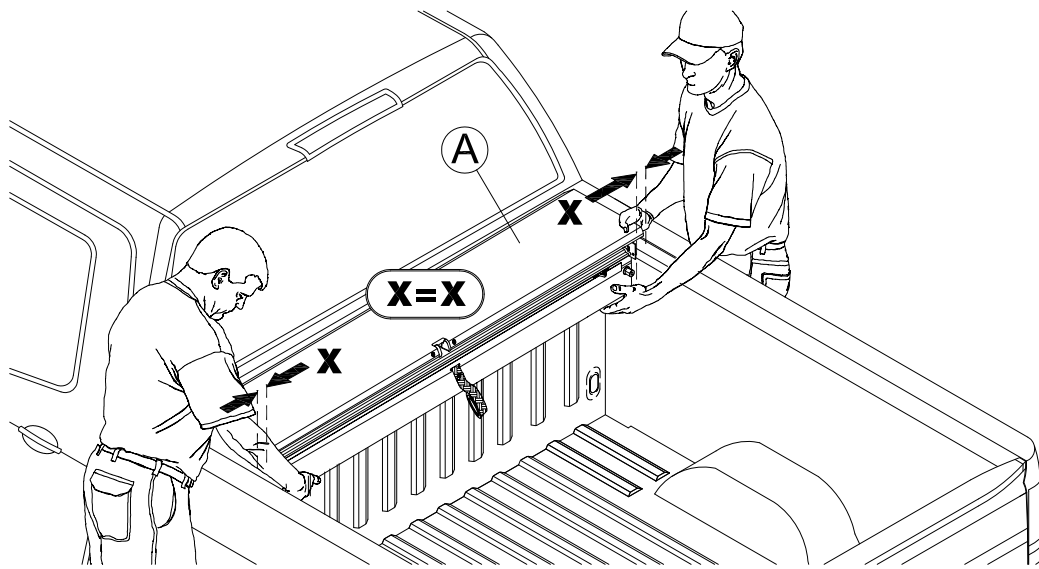
1d LHS = RHS



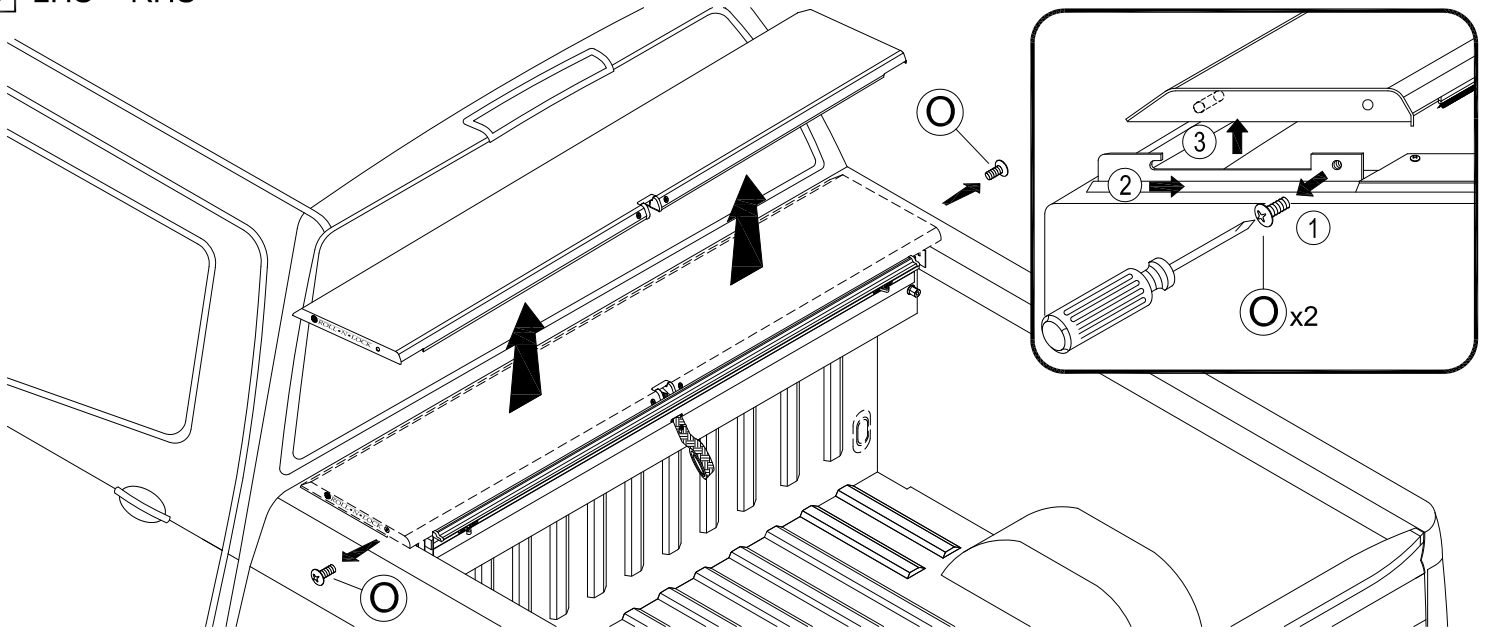
1 LHS = RHS



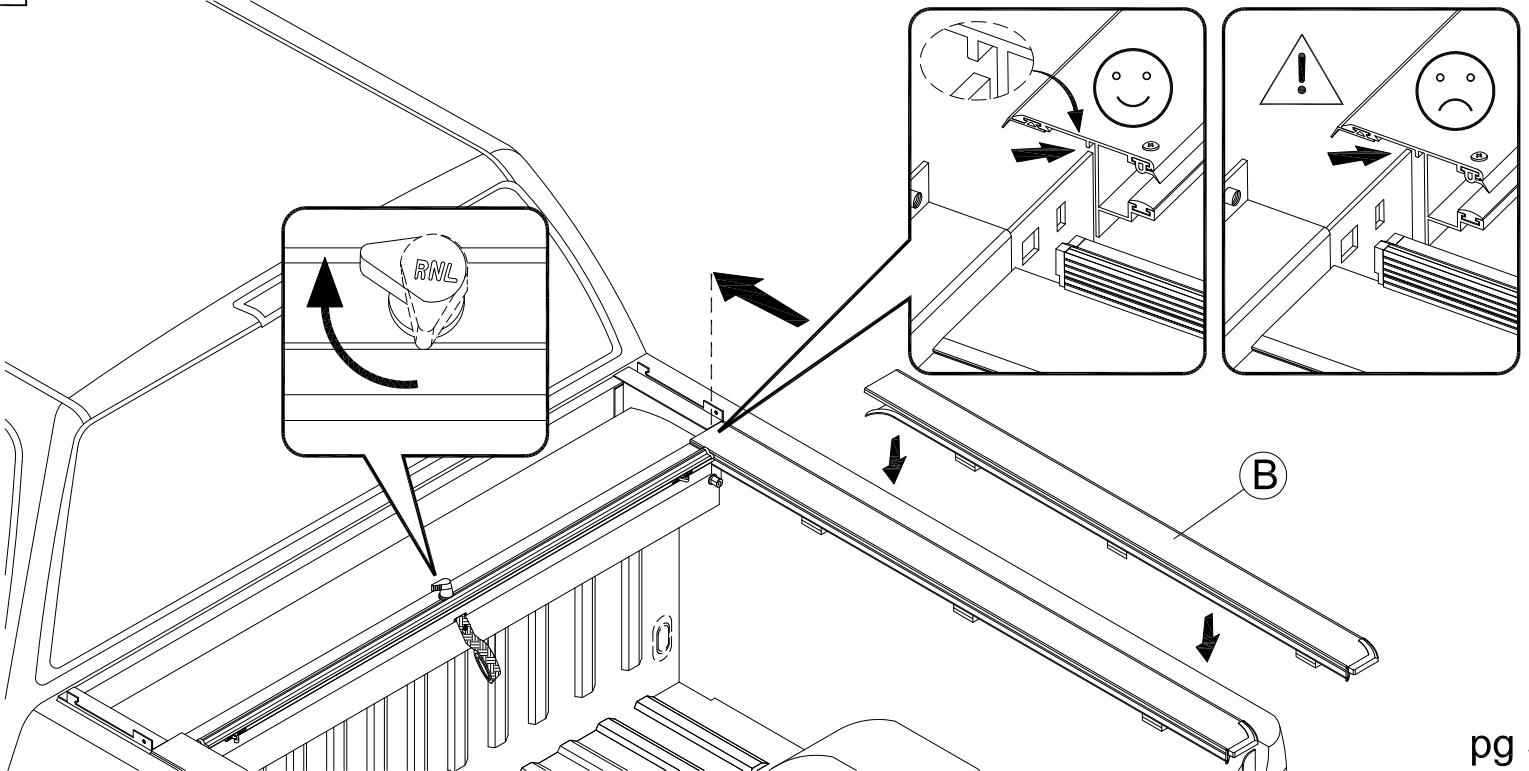
2



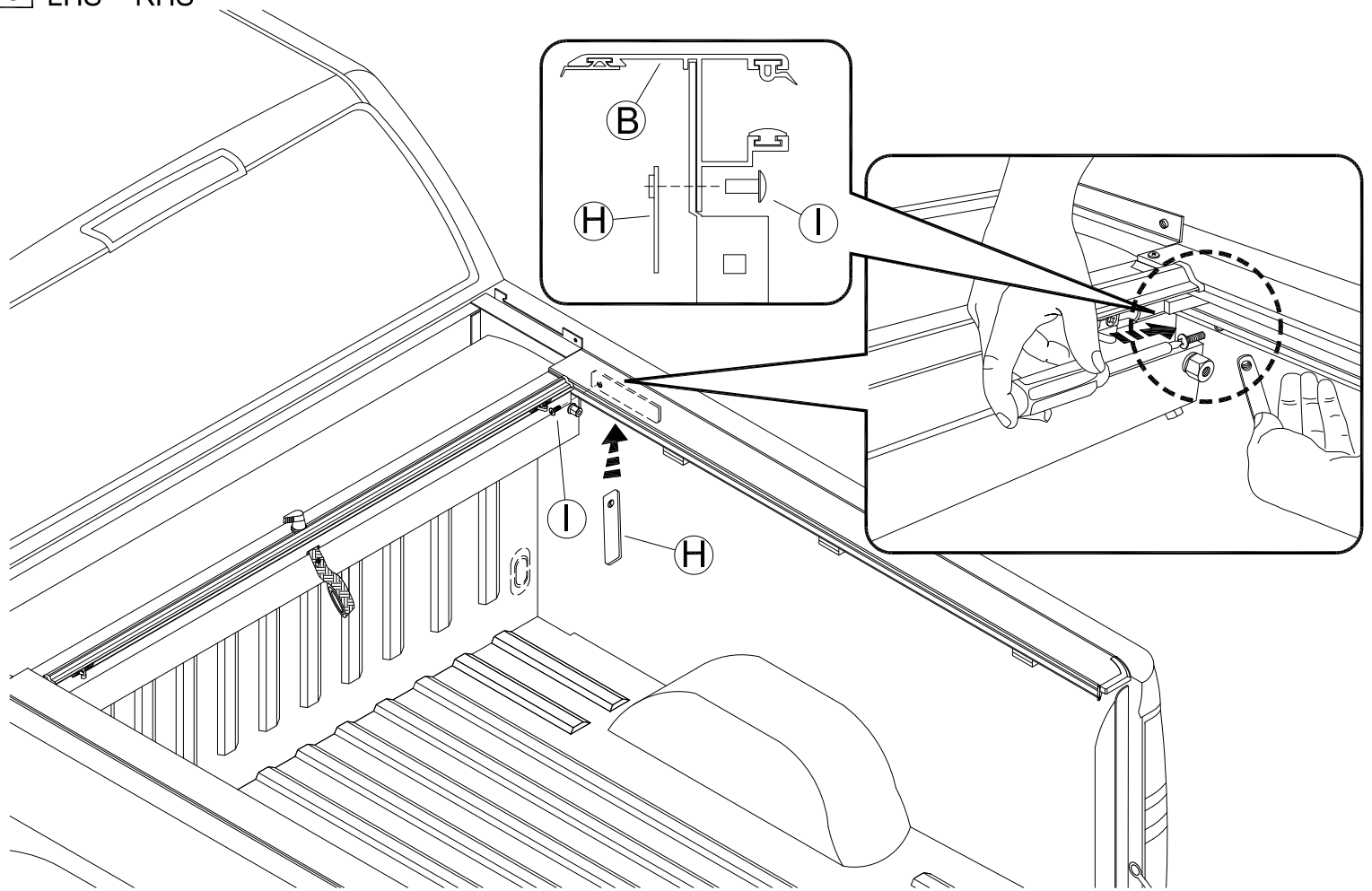
3 LHS = RHS



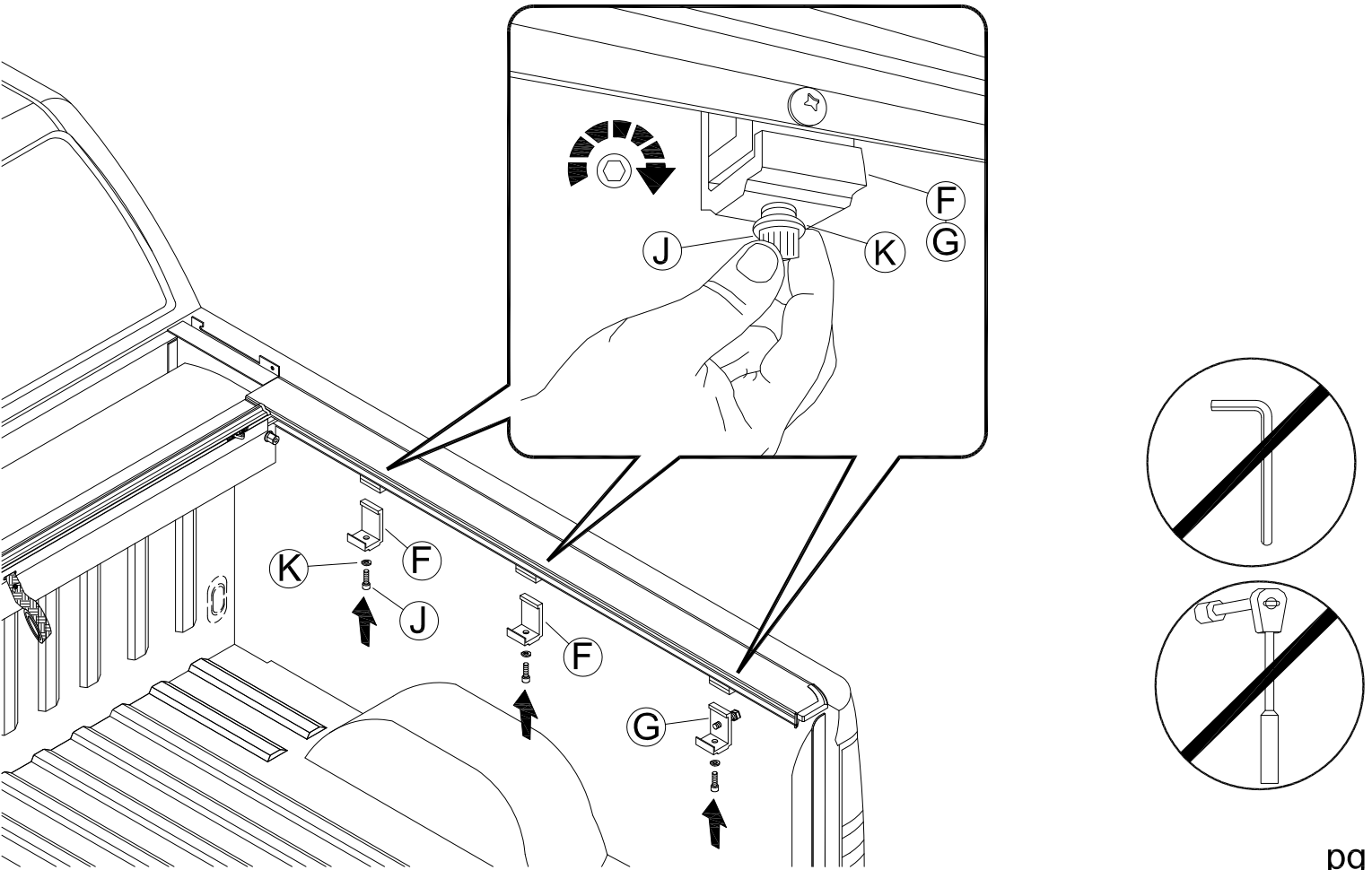
4 LHS = RHS



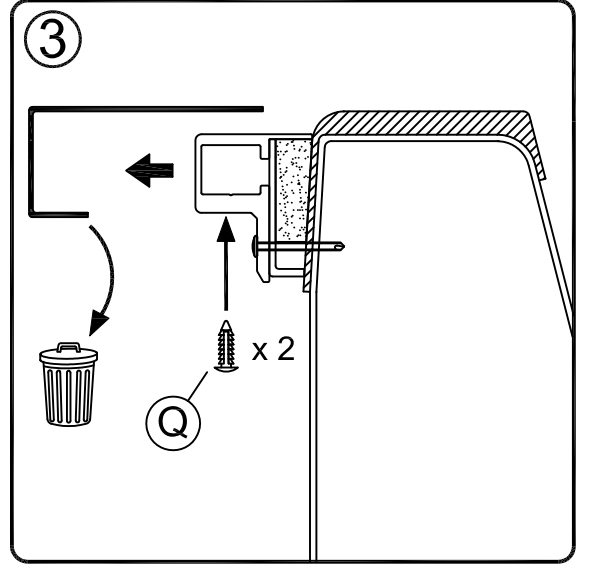
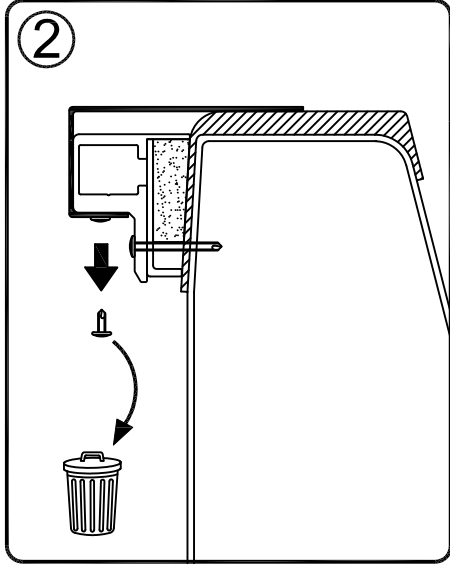
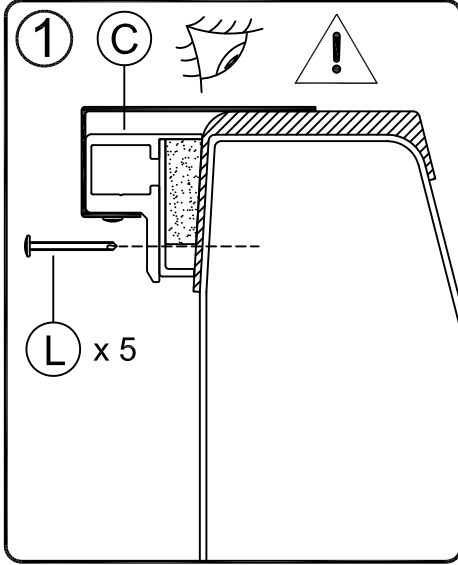
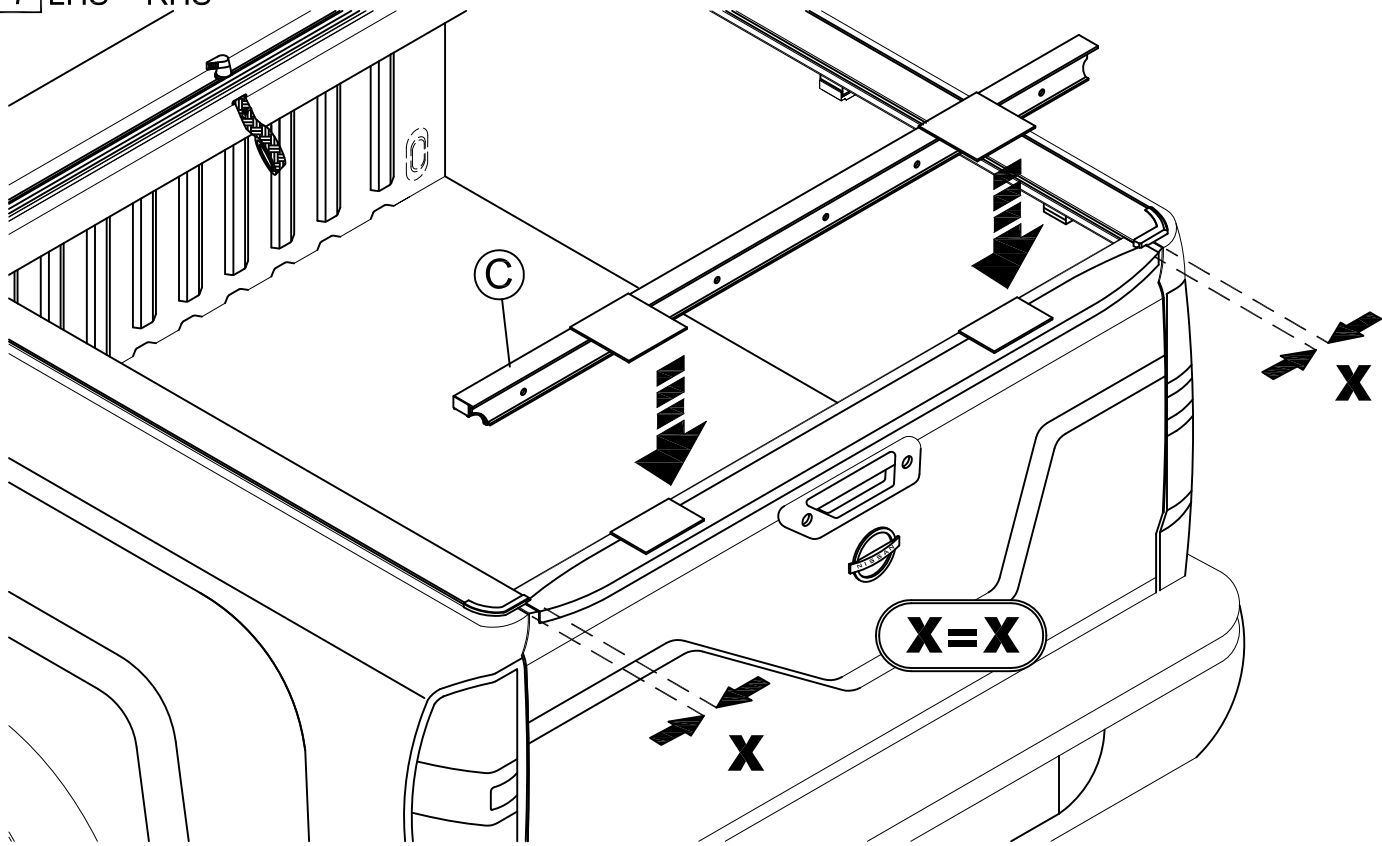
5 LHS = RHS



6 LHS = RHS



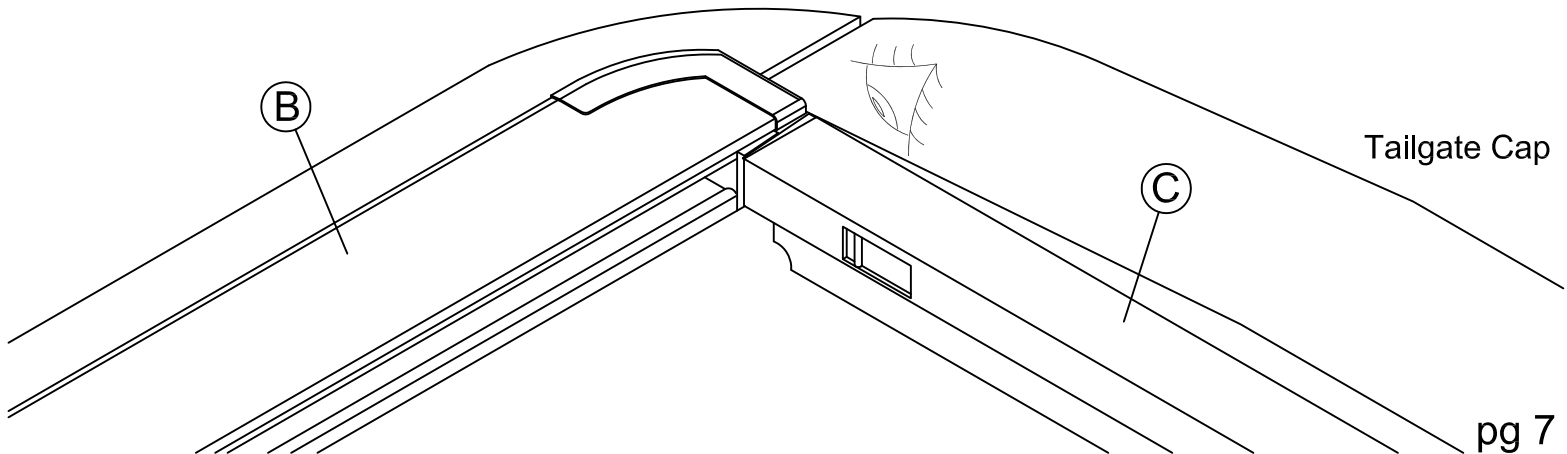
7 LHS = RHS

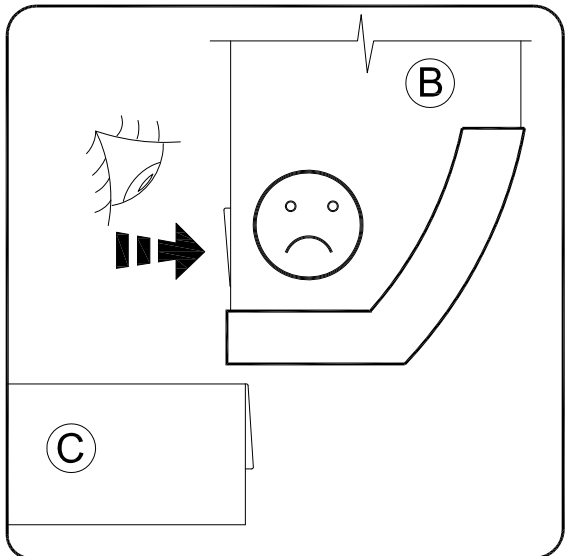
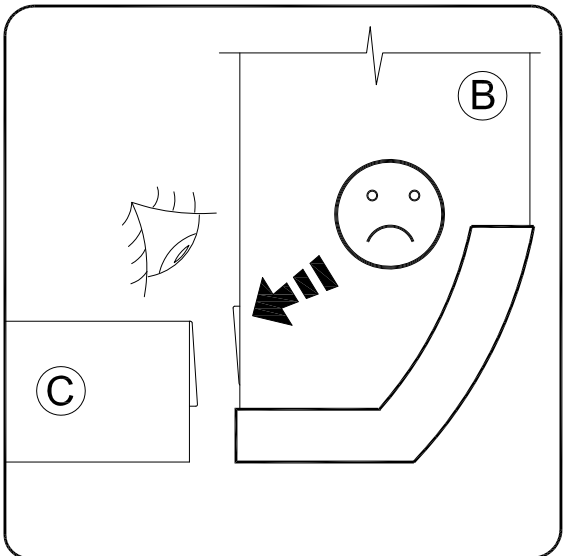
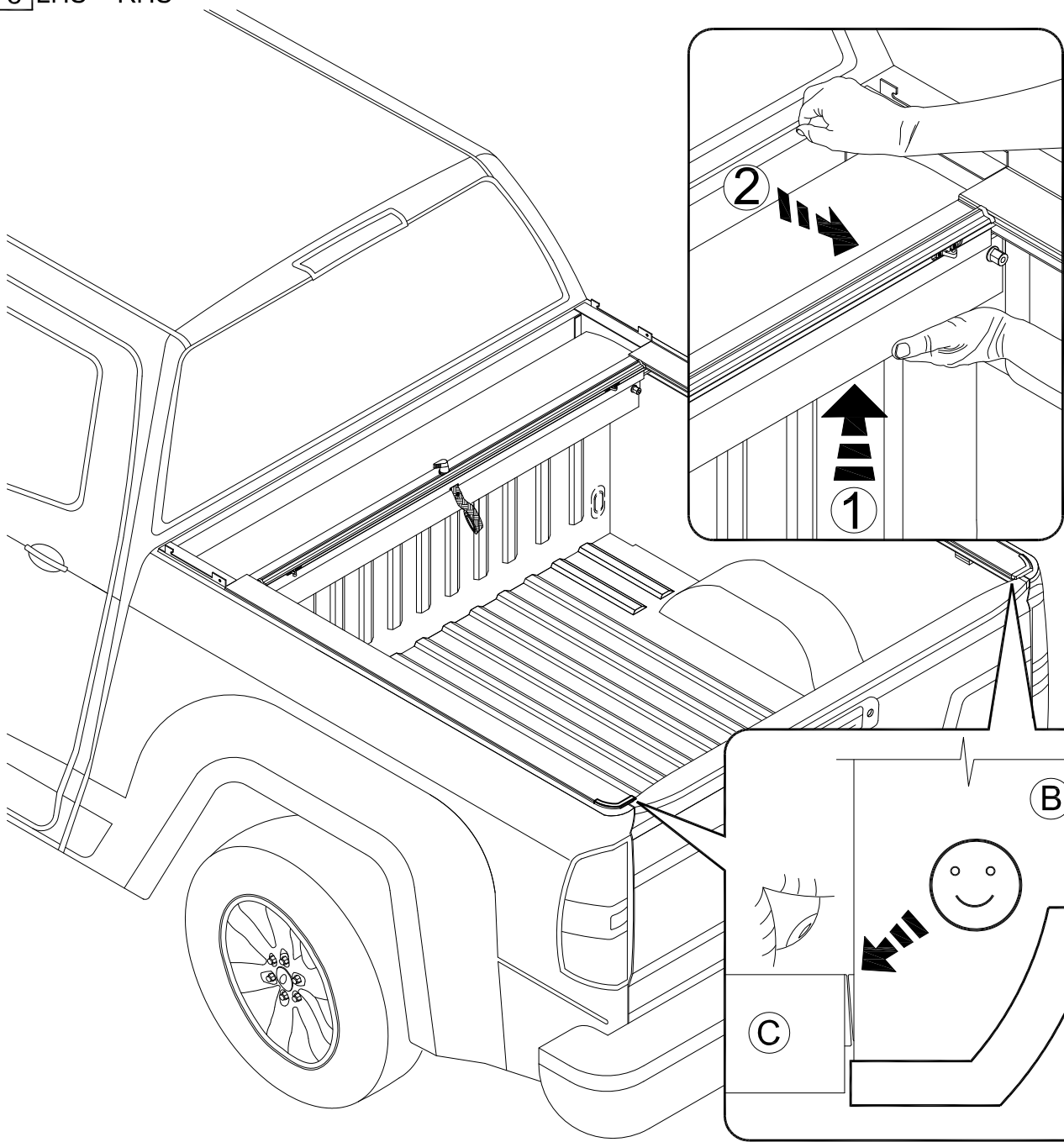


LHS = RHS

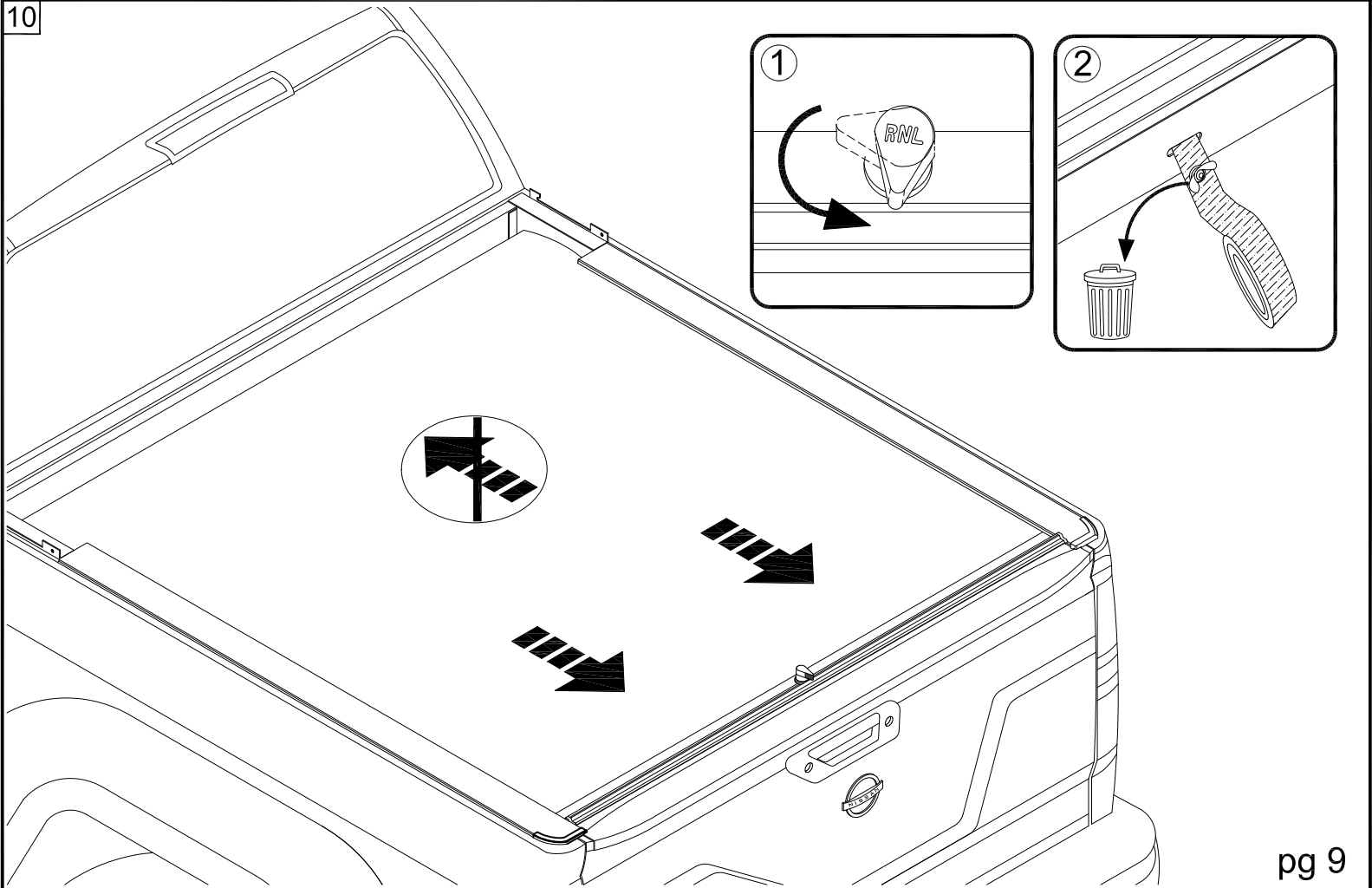
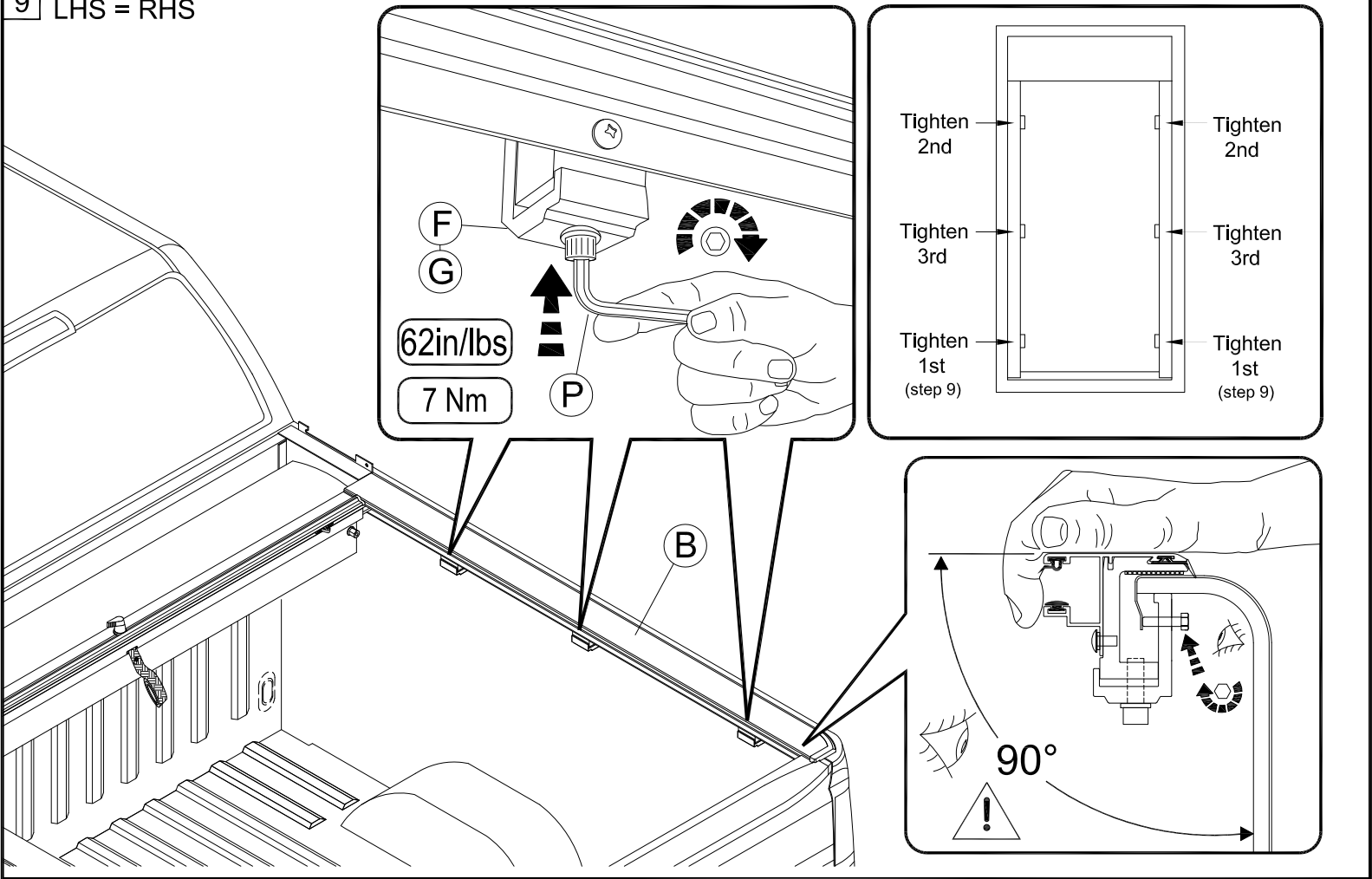
! IMPORTANT !

Alignment of Tailgate Extrusion (C) and Track (B)

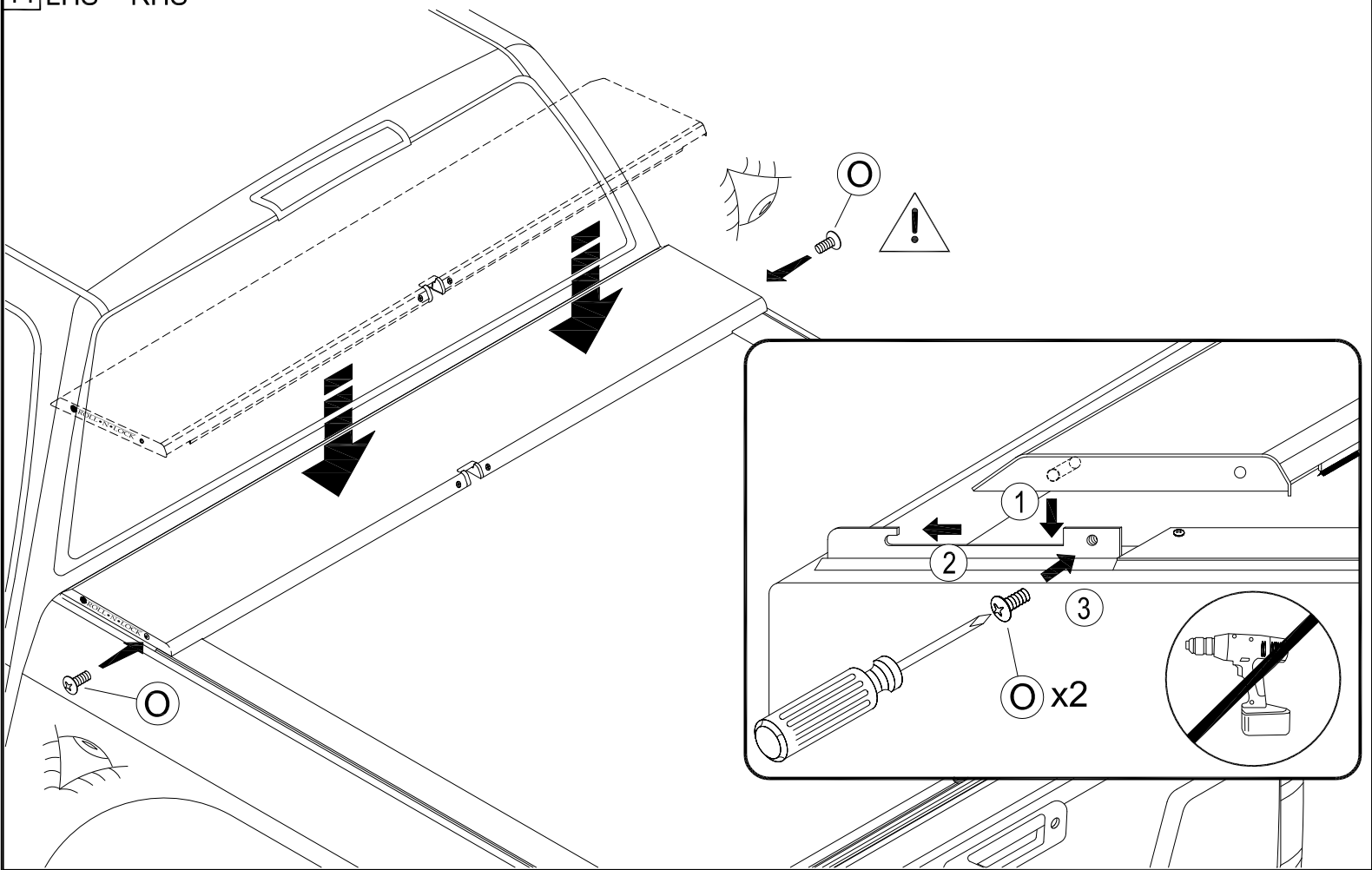




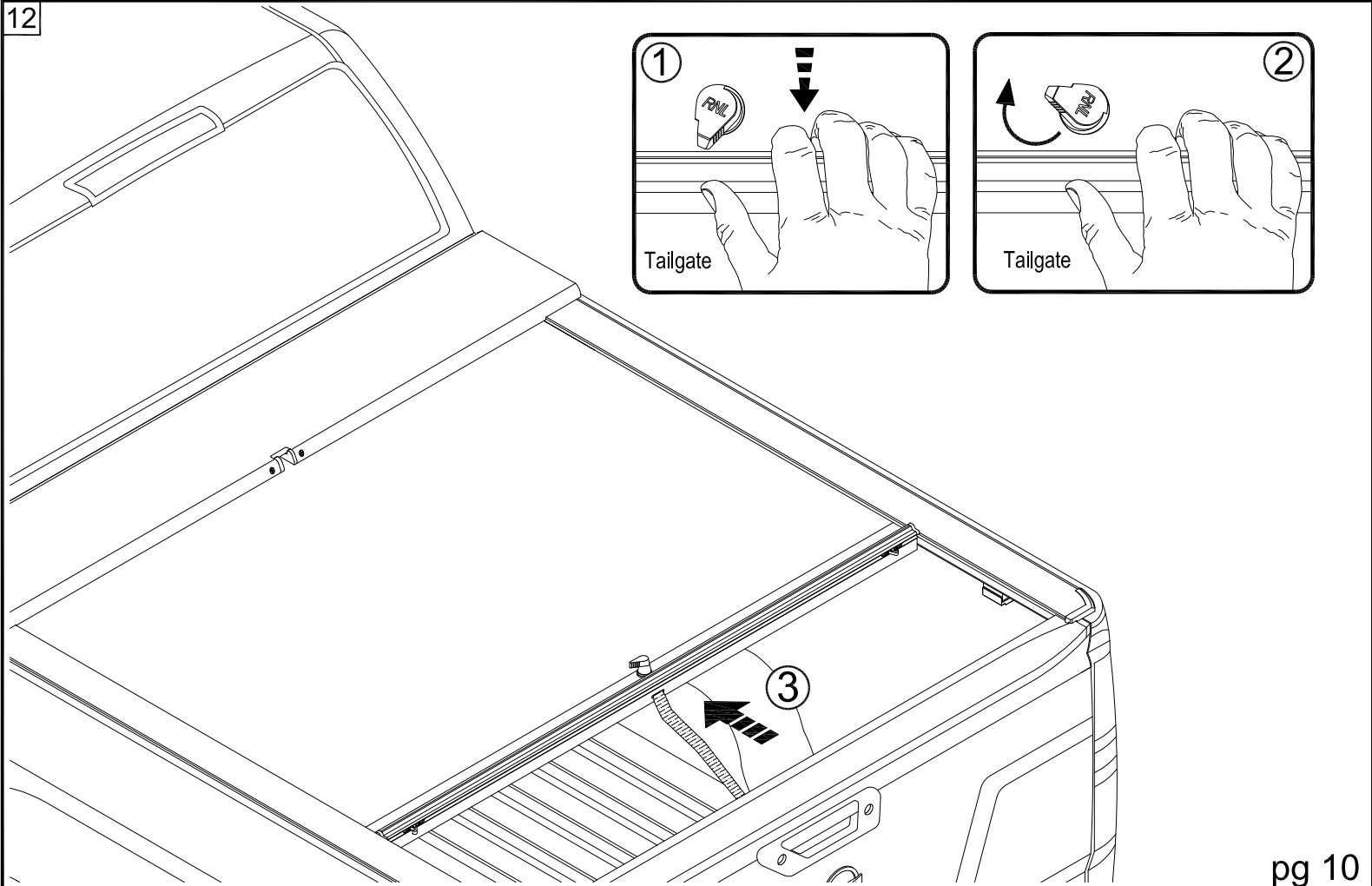
9 LHS = RHS



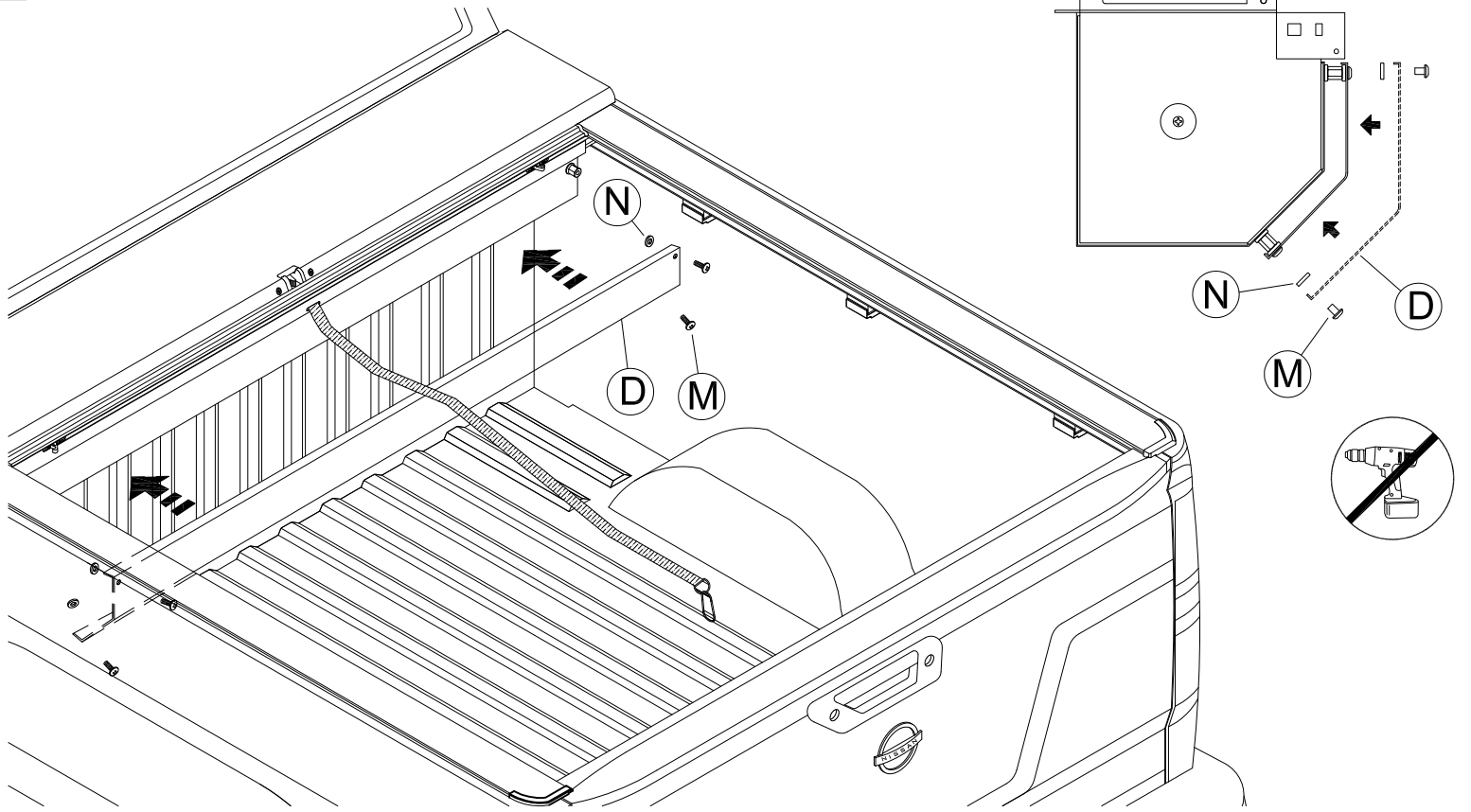
11 LHS = RHS



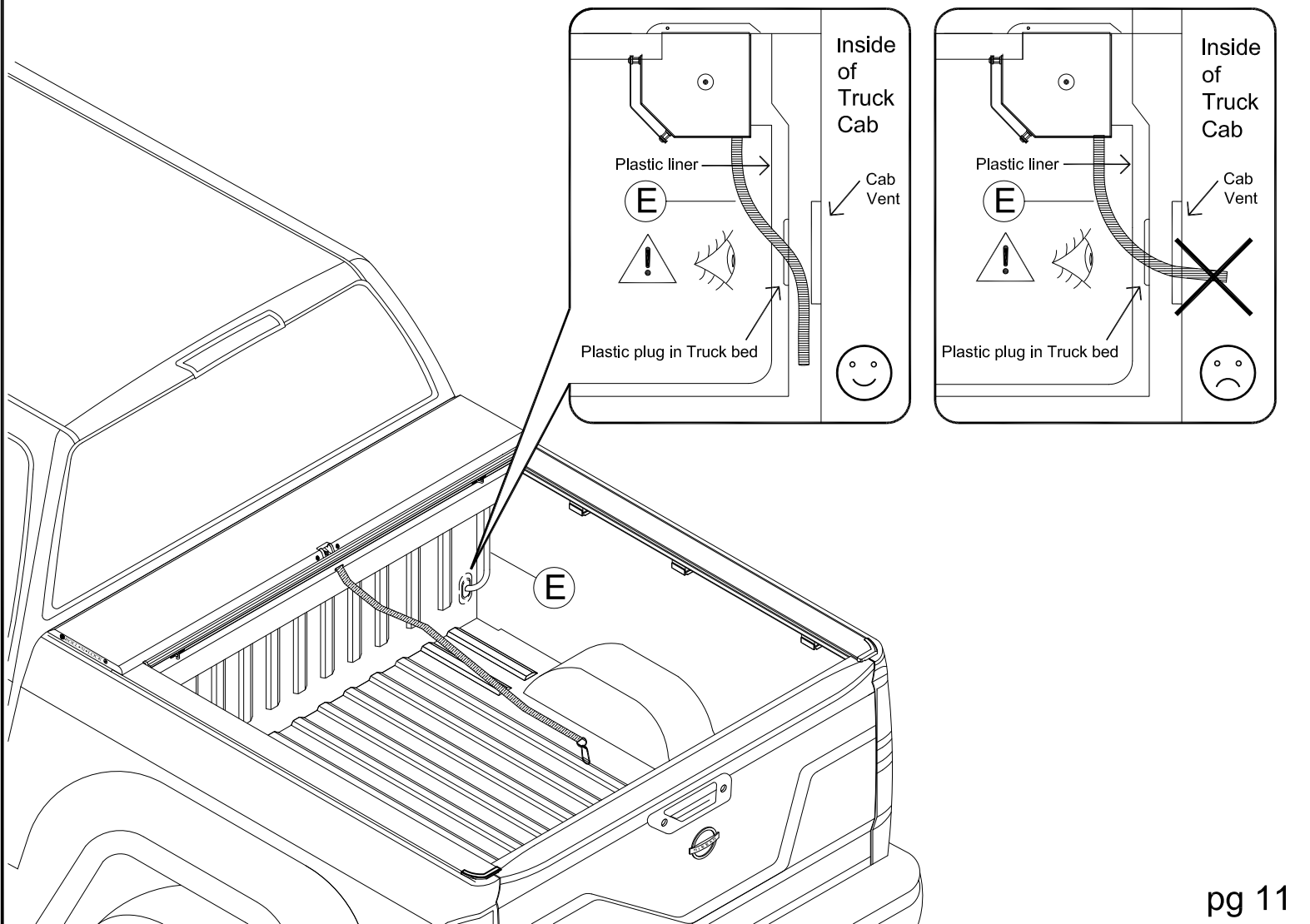
12

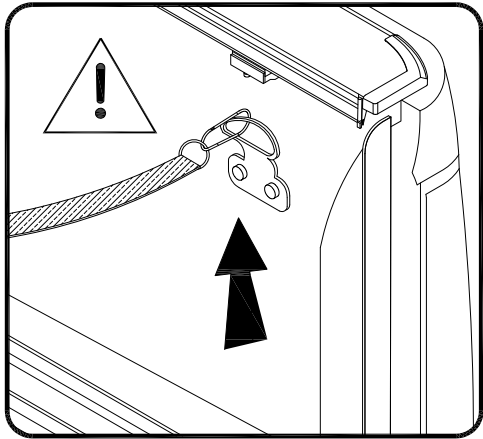
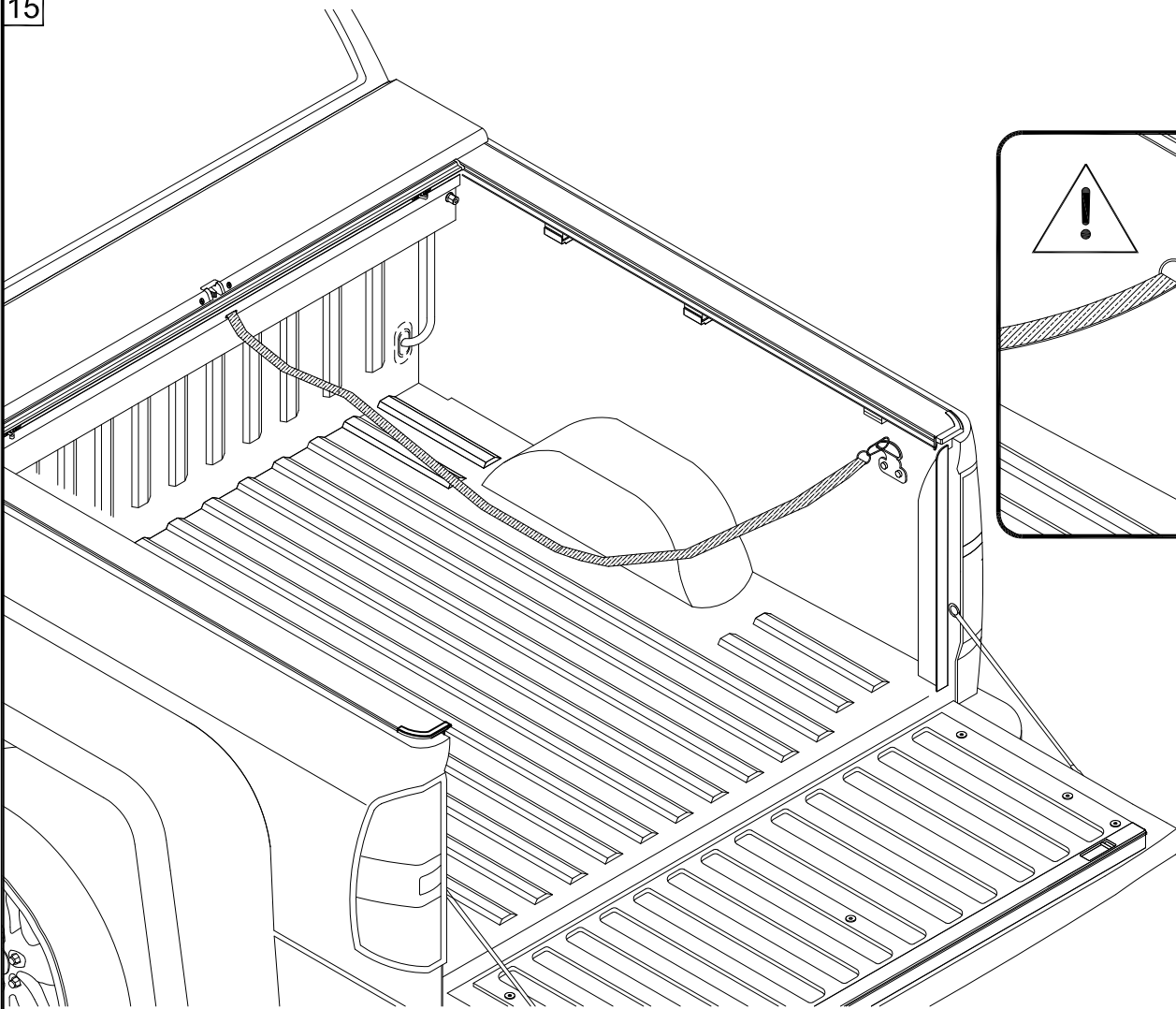


13 LHS = RHS



14 LHS = RHS





ROLL•N•LOCK®

Questions? Please call Roll•N•Lock Customer Service at 800-952-7655 or visit rollnlock.com