



INSTALLATION INSTRUCTIONS (K687)

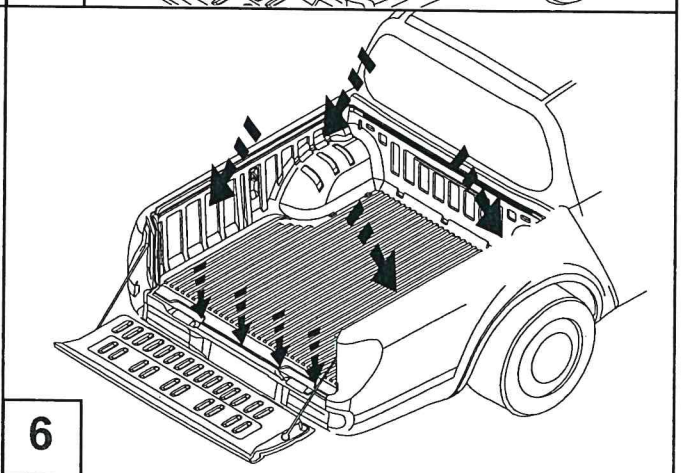
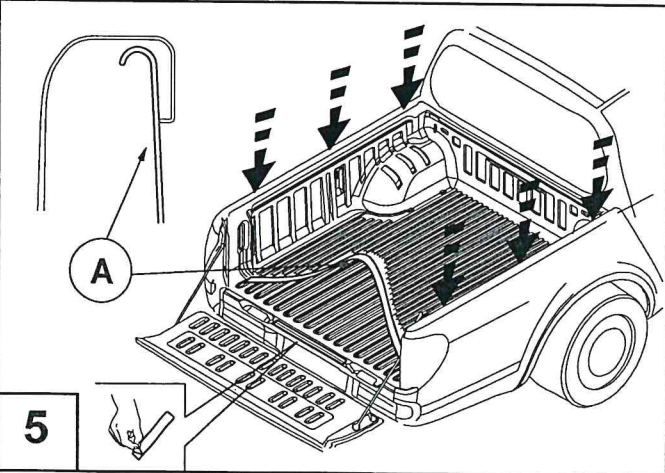
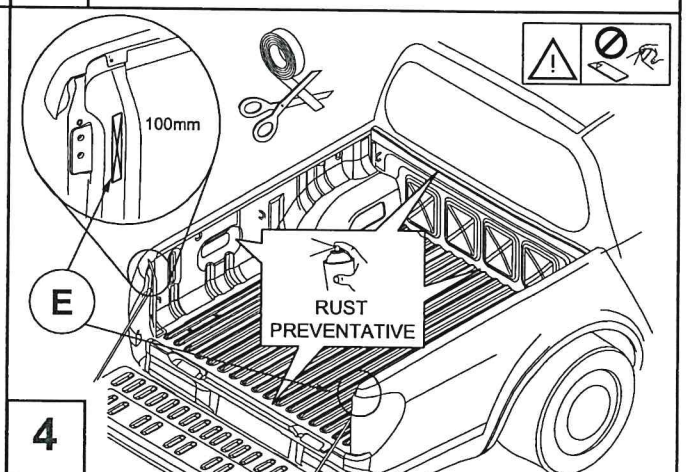
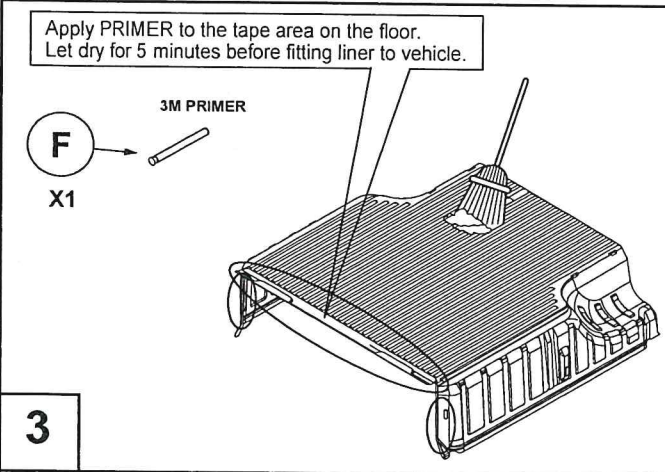
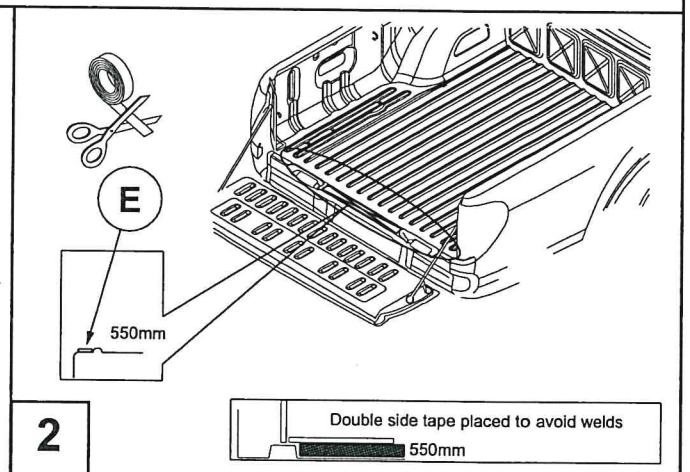
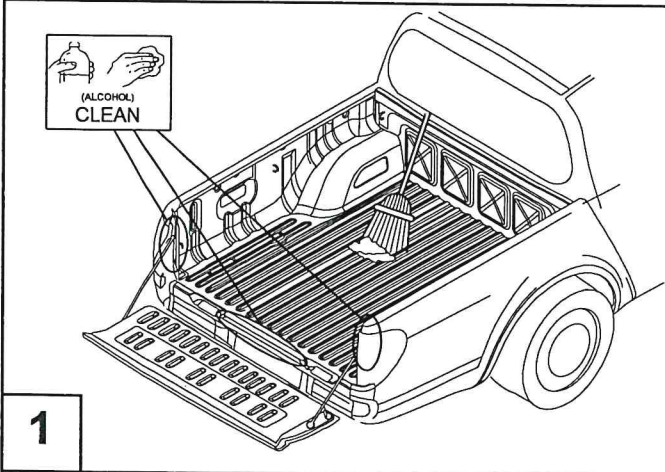
Under Rail Liner

Mitsubishi Triton 2014+ XC UR

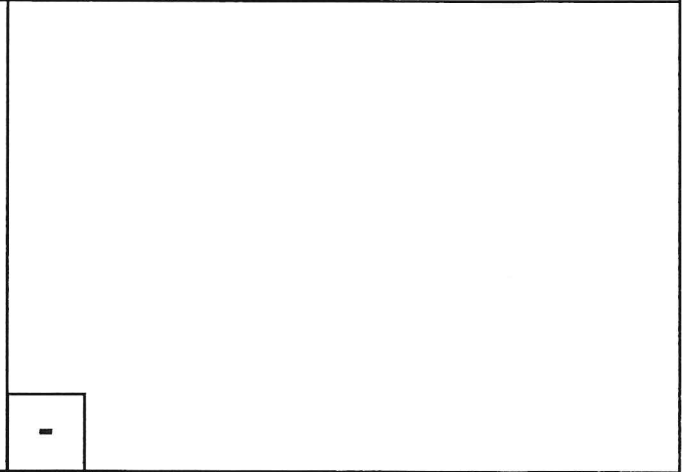
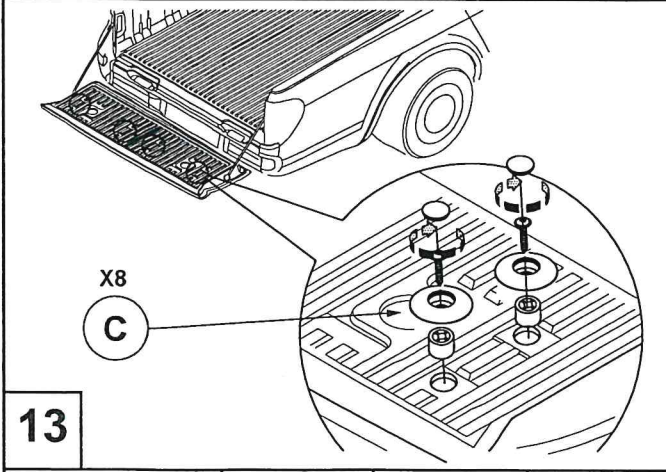
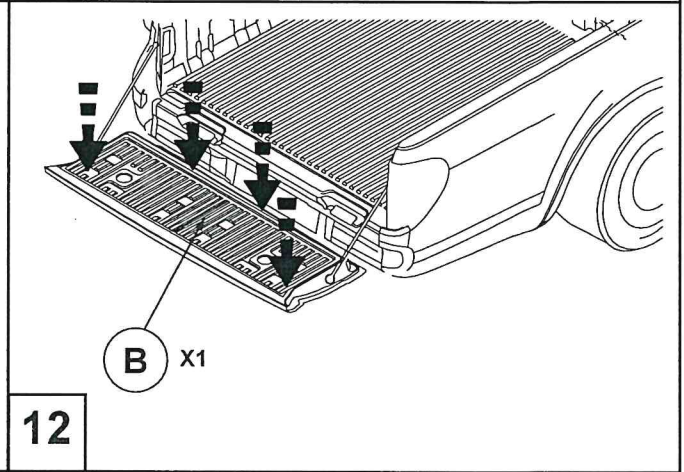
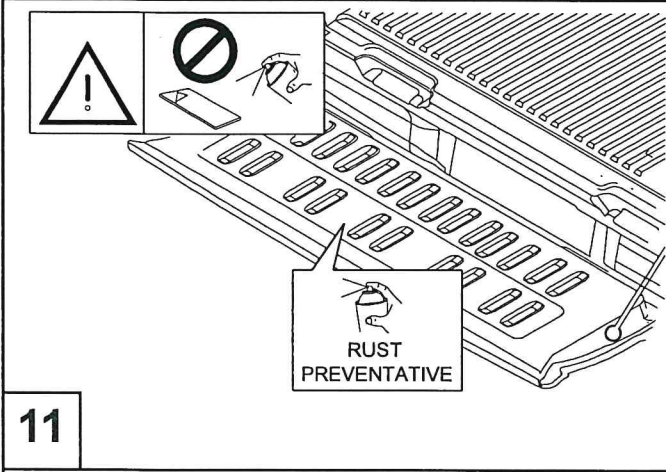
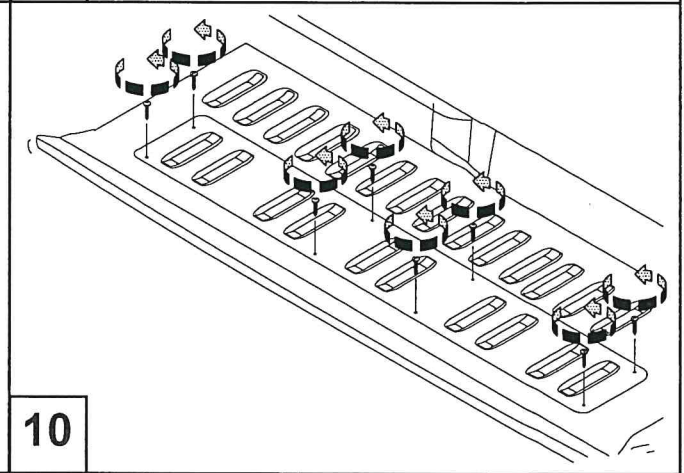
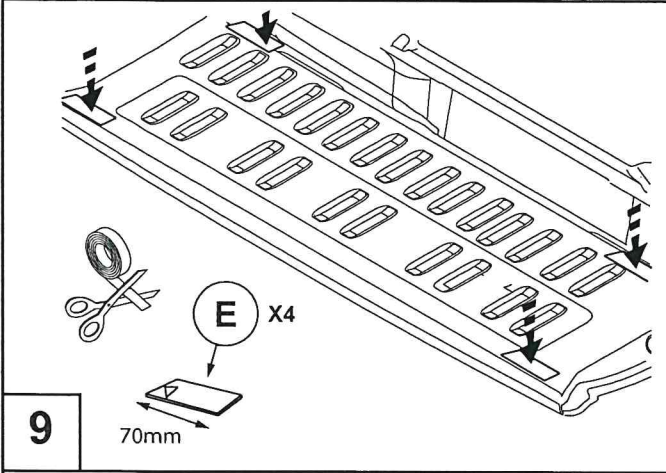
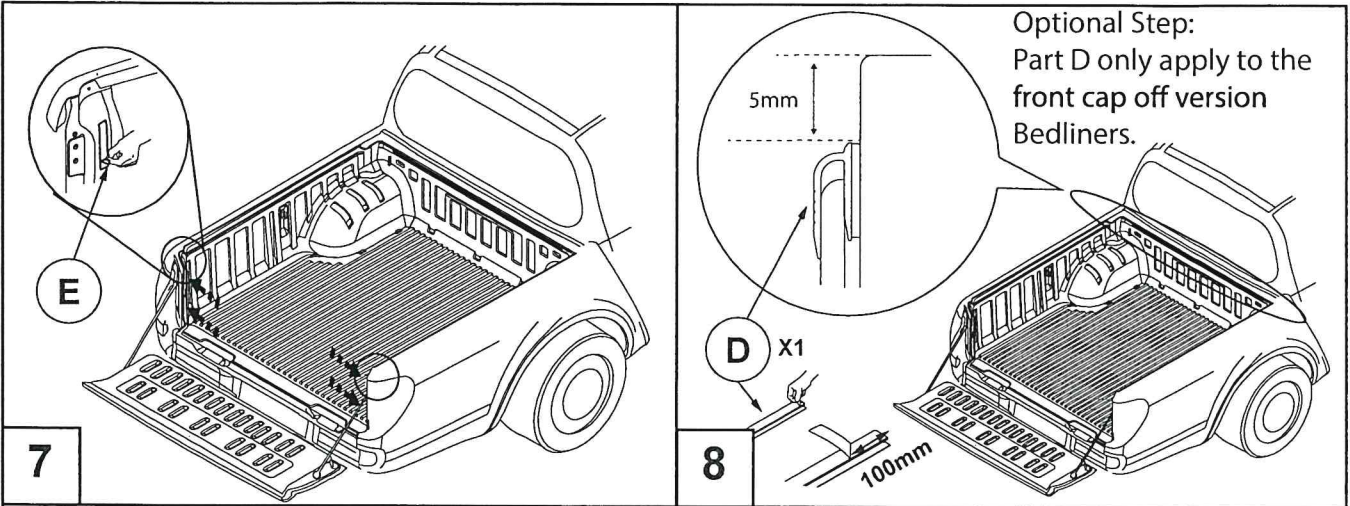
A		B		C		D		E		F	
	X1		X1		X8	1440mm	X1		X1	3M Primer	X1

◇ = EXISTING PART

○ = NEW PART



Fitting Kit Number	Manufacturer	Model Type	Year	Stockist	Cab Size	Product	Revision	Date	Page
K687	Mitsubishi	Triton	2014	General	XC	UR	2	24/01/17	1 of 2



Fitting Kit Number	Manufacturer	Model Type	Year	Stockist	Cab Size	Product	Revision	Date	Page
K687	Mitsubishi	Triton	2014	General	XC	UR	2	24/01/17	2 of 2