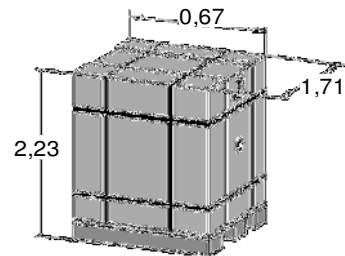
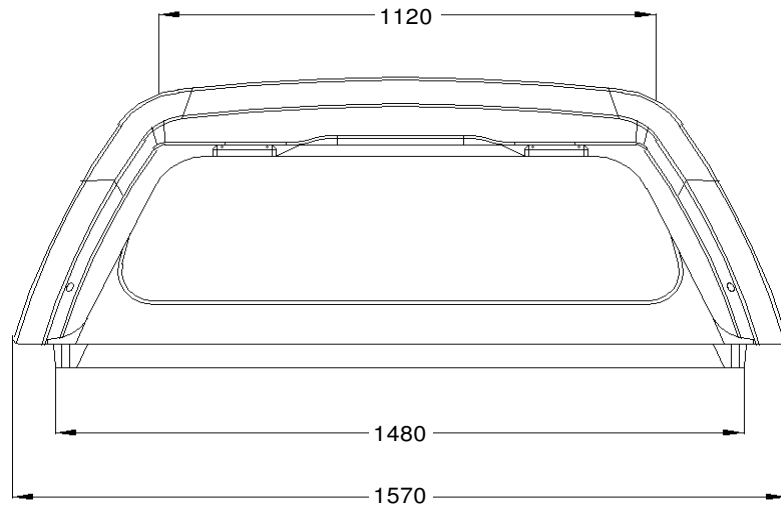
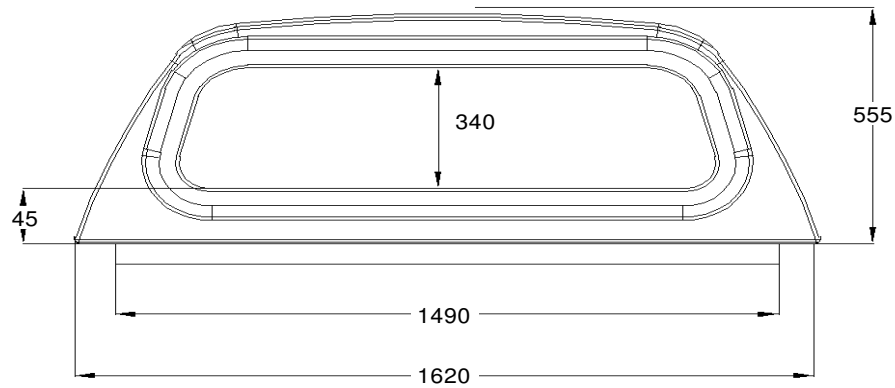


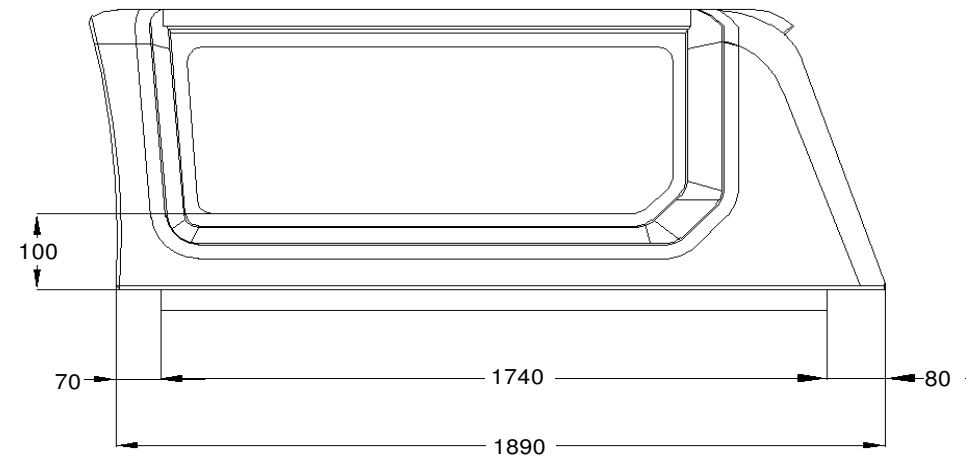
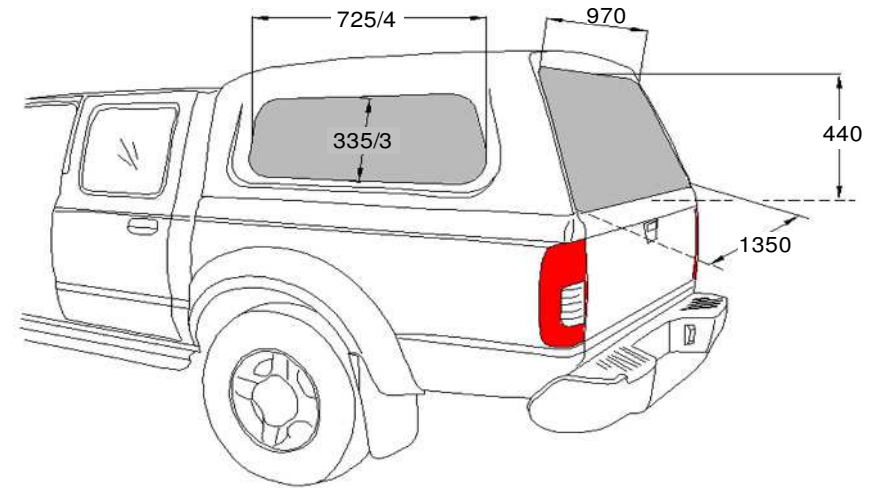
Net weight: 59,00 kg  
 Gross weight: 94,00 kg  
 Volume: 0 m<sup>3</sup>



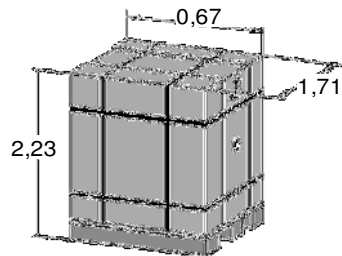
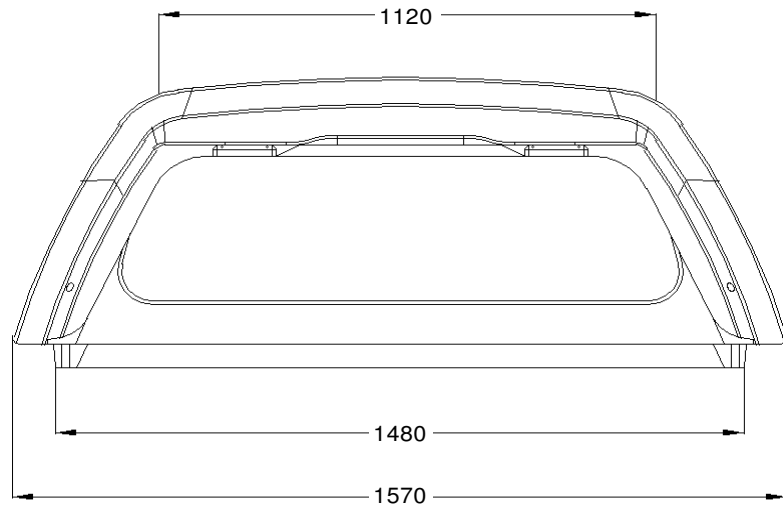
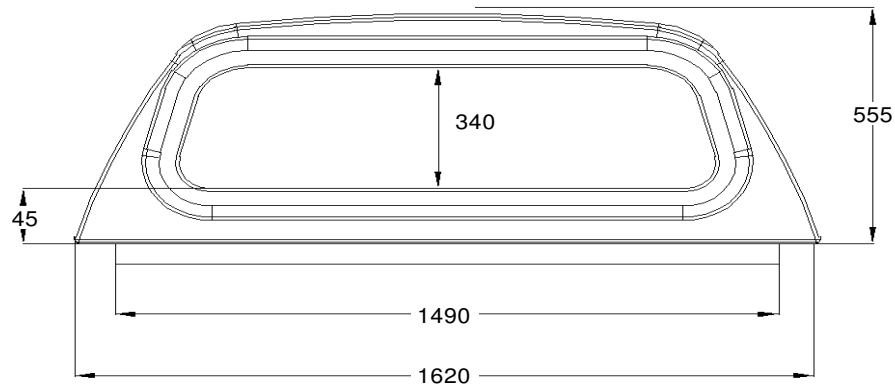
7 X 40 X 10000 A/60/PT3 PE-L - 0,39 szt  
 10 X 40 X 10000 GKS ECONOMY - 0,165 szt



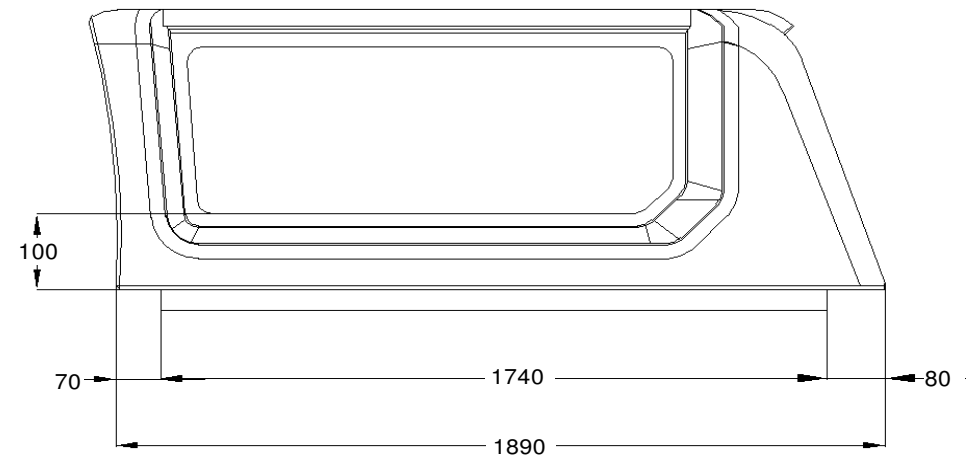
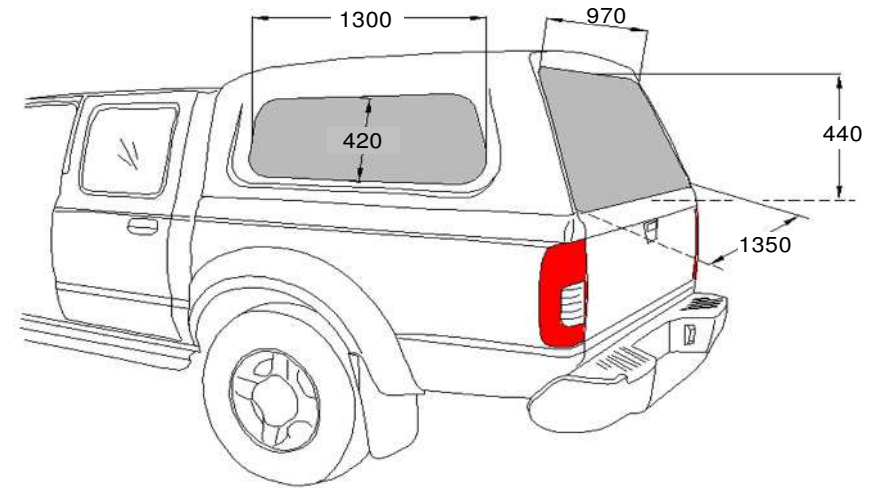
Net weight: 90,00 kg  
 Gross weight: 125,00 kg  
 Volume: 0 m<sup>3</sup>



7 X 40 X 10000 A/60/PT3 PE-L - 0,39 szt  
 10 X 40 X 10000 GKS ECONOMY - 0,165 szt



Net weight: 92,00 kg  
 Gross weight: 127,00 kg  
 Volume: 0 m3



7 X 40 X 10000 A/60/PT3 PE-L - 0,39 szt  
 10 X 40 X 10000 GKS ECONOMY - 0,165 szt