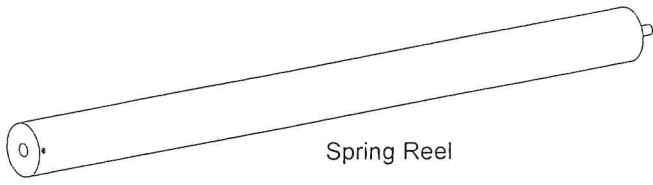


# Spring Reel Replacement

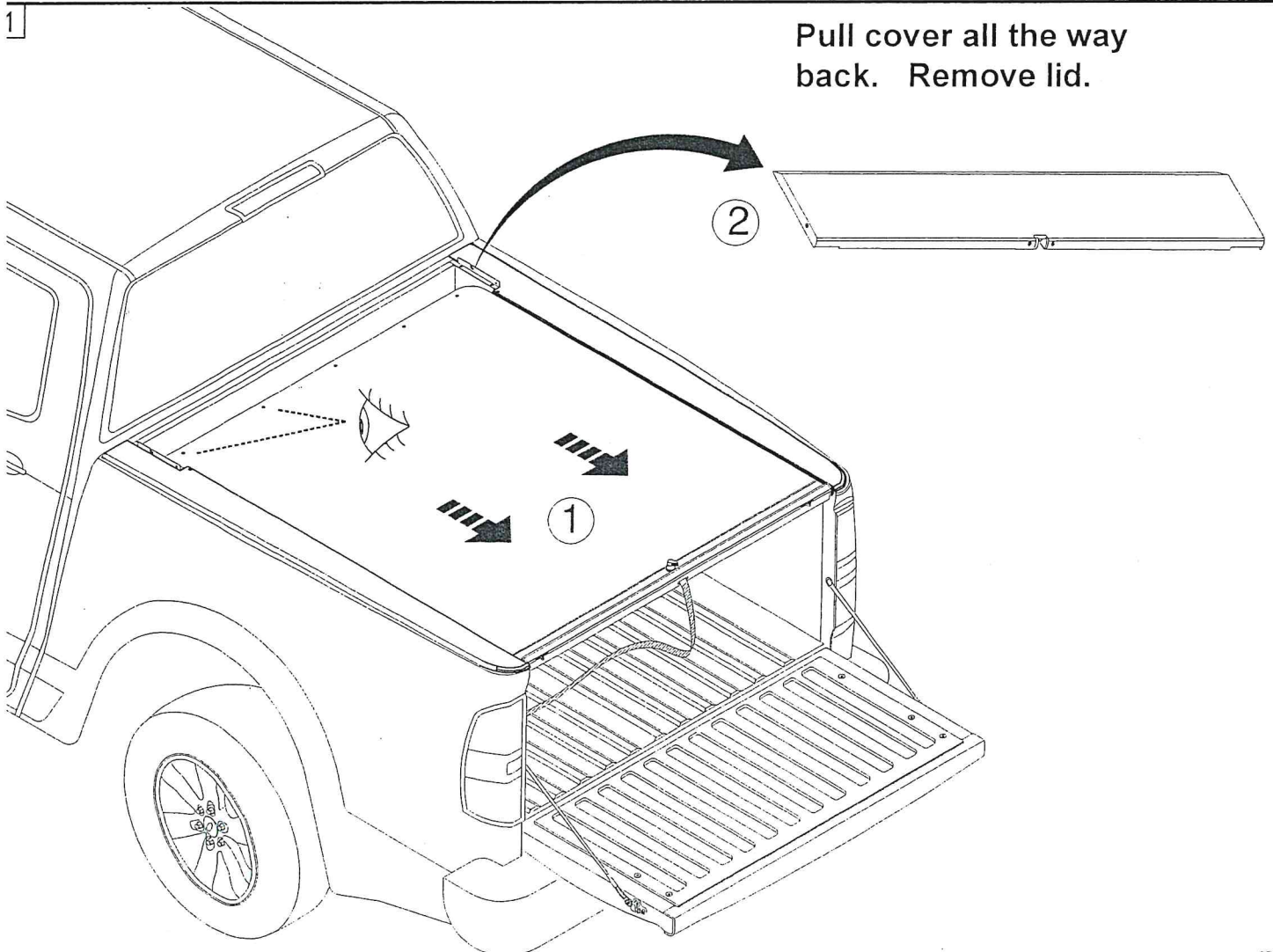
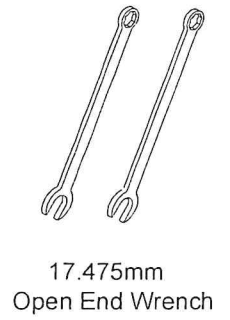
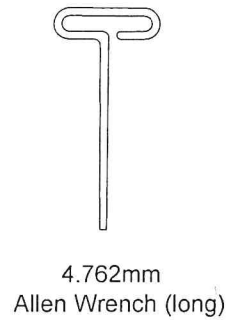
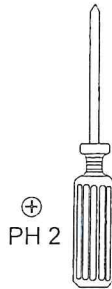
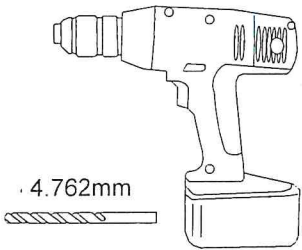
For Applications 750M & 518M

## Parts Include:



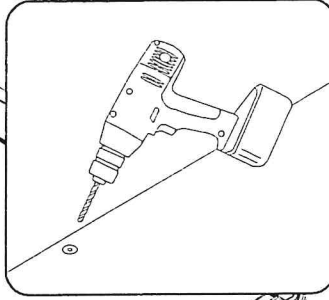
#8 x 3/4" Phillips Black  
Self Drilling Screw

## Tools Required:



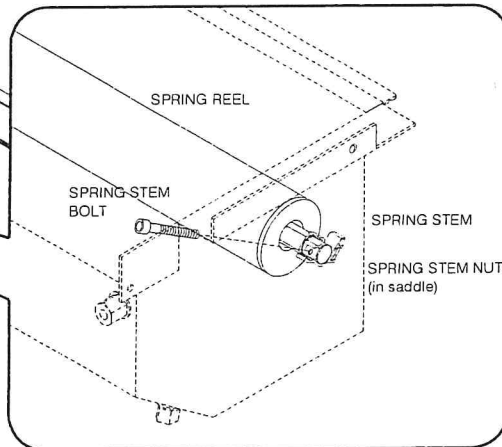
2

Drill out rivets using a drill with a 3/16" (4.762mm) bit.



3

Remove spring stem bolt.



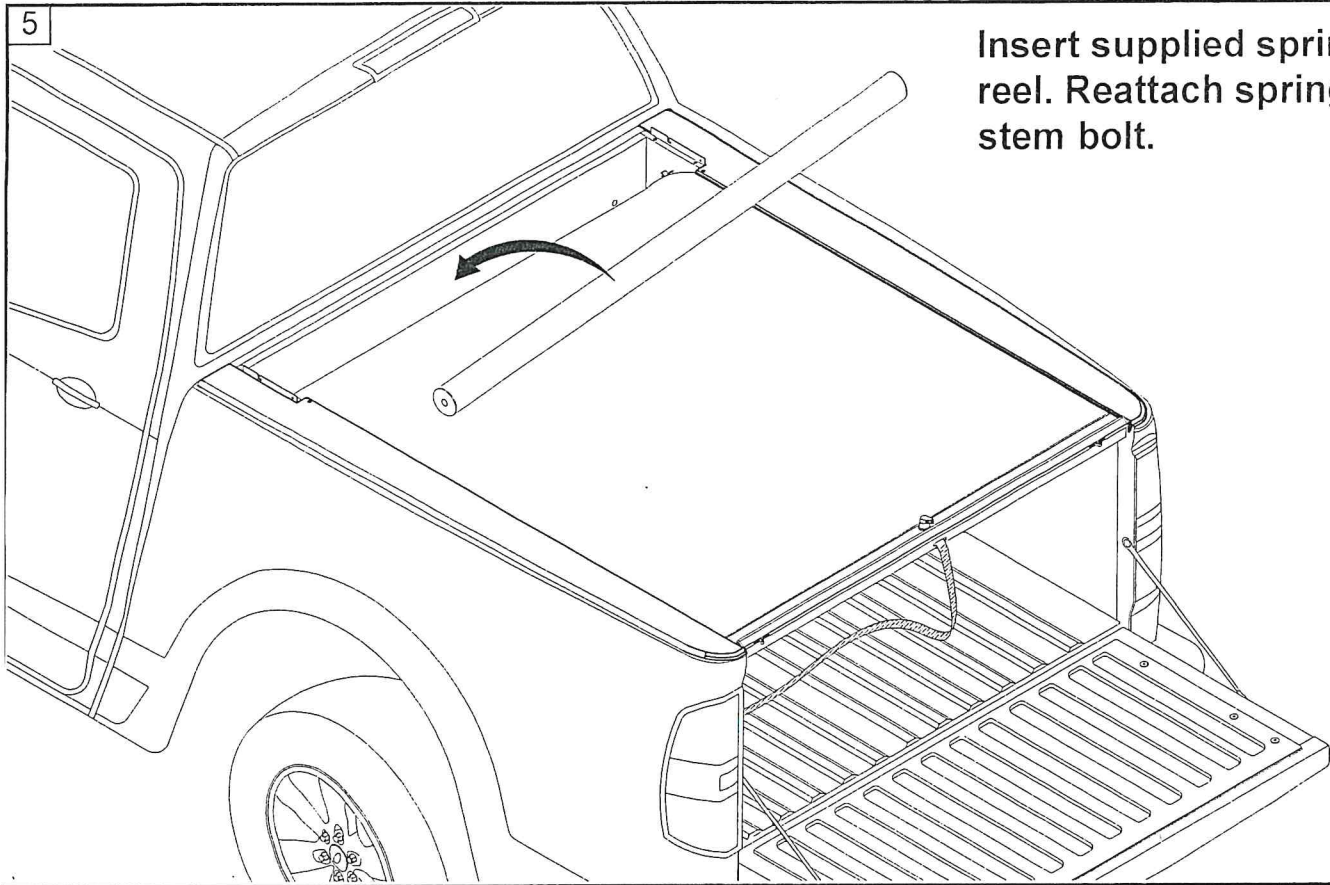
4

Remove existing spring reel and clean debris from housing.



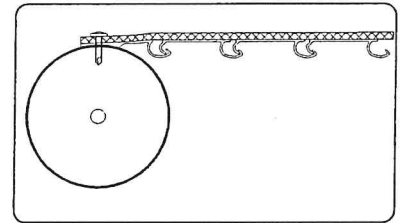
5

Insert supplied spring reel. Reattach spring stem bolt.

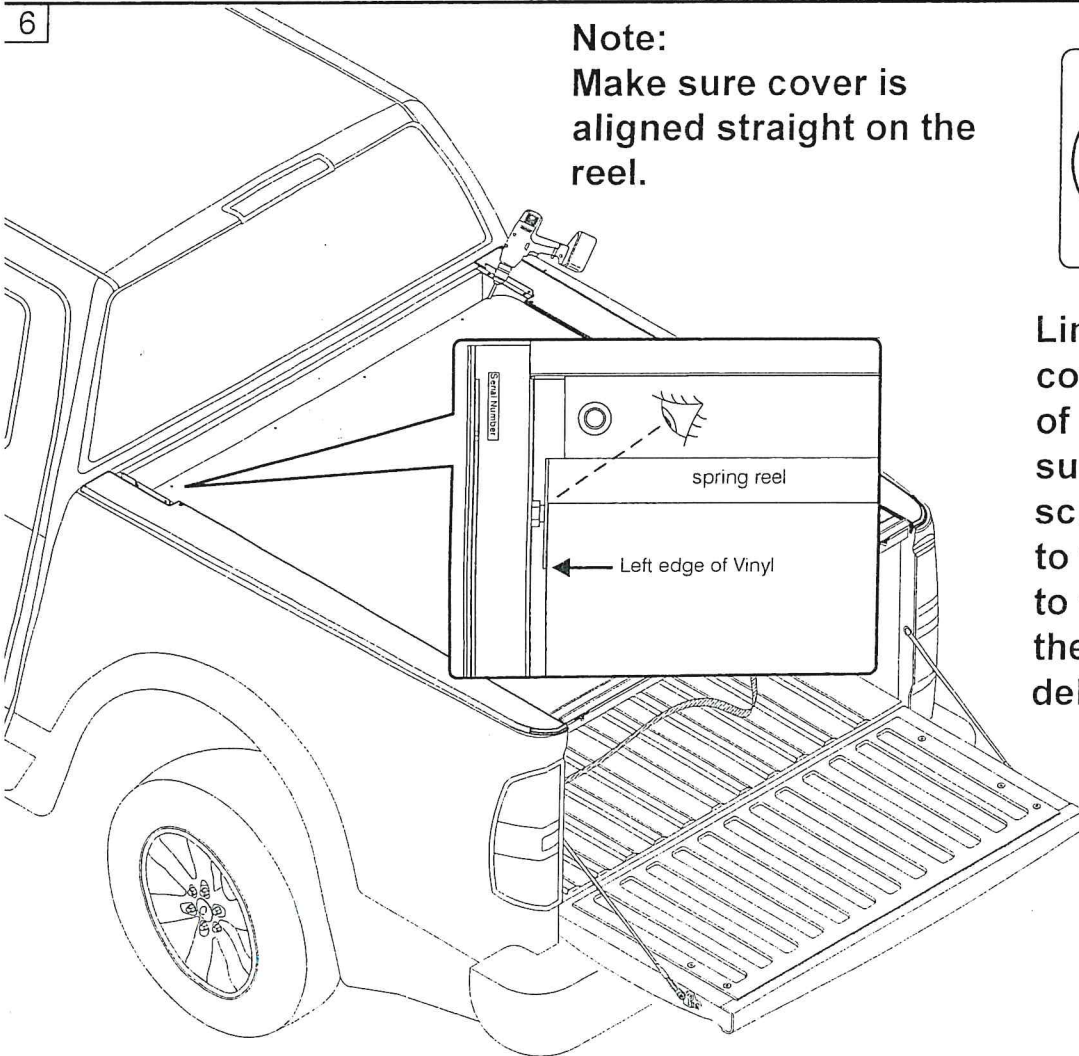


6

**Note:**  
Make sure cover is aligned straight on the reel.

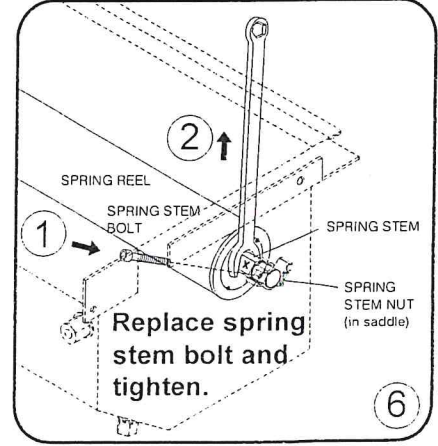
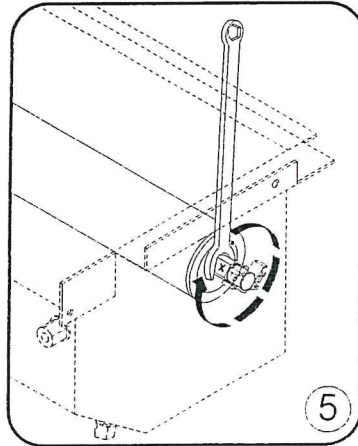
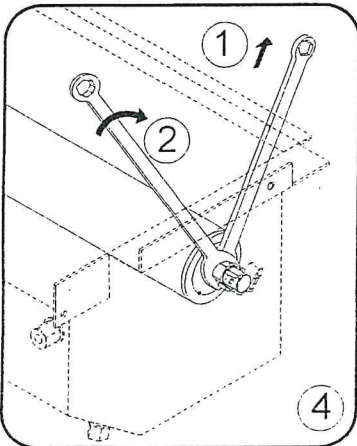
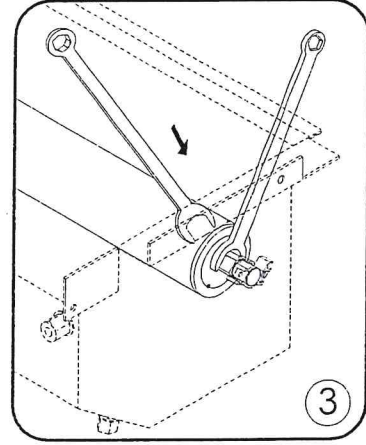
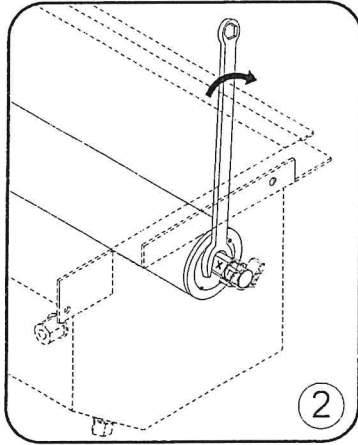
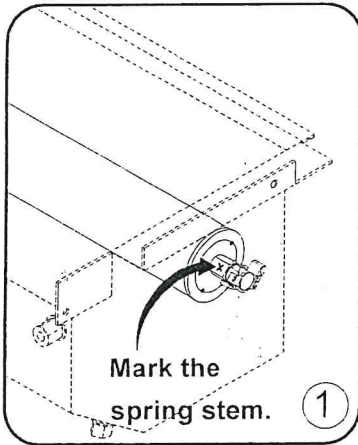
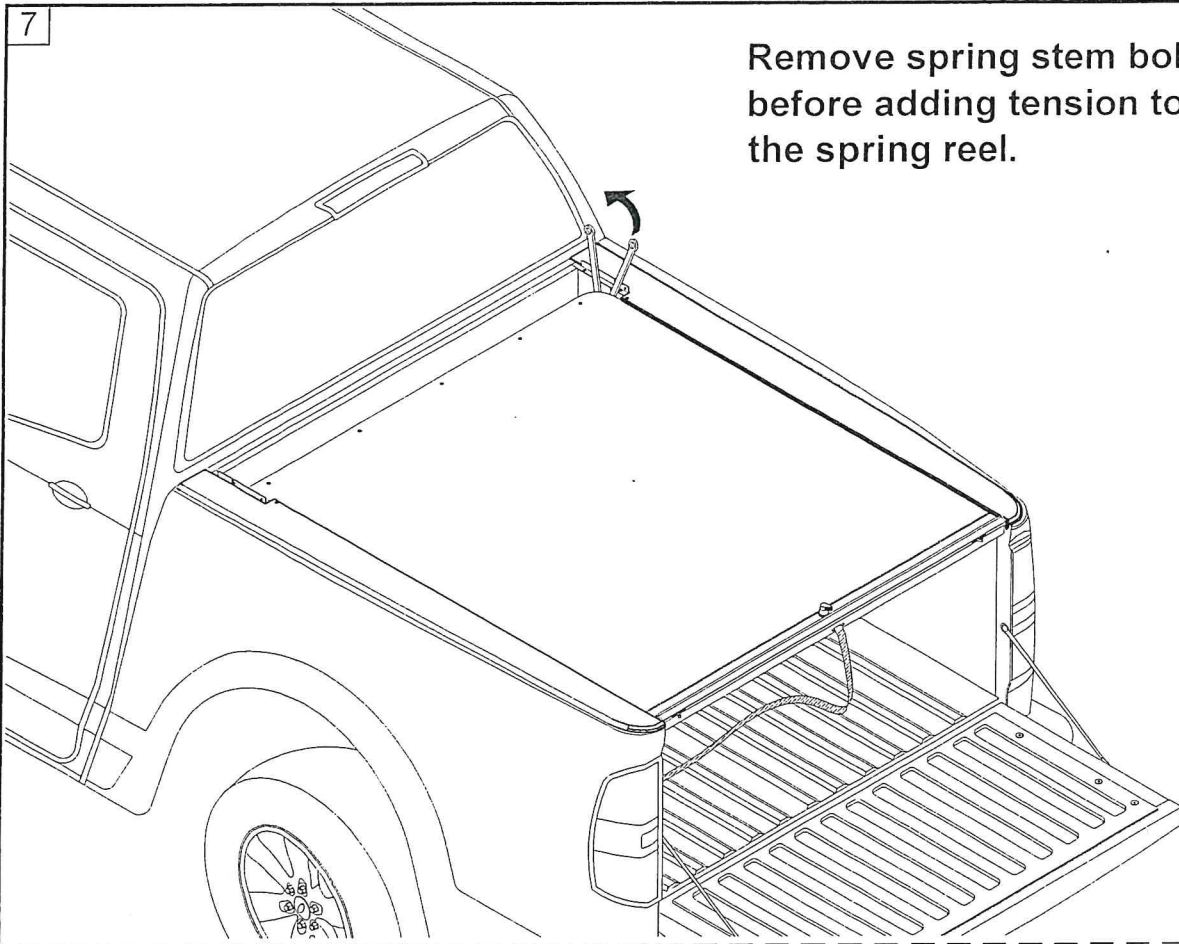


Line the left edge of the cover with the left edge of the spring reel. Using supplied self tapping screws secure the cover to the spring reel, next to the existing holes in the cover. Remove any debris from housing.



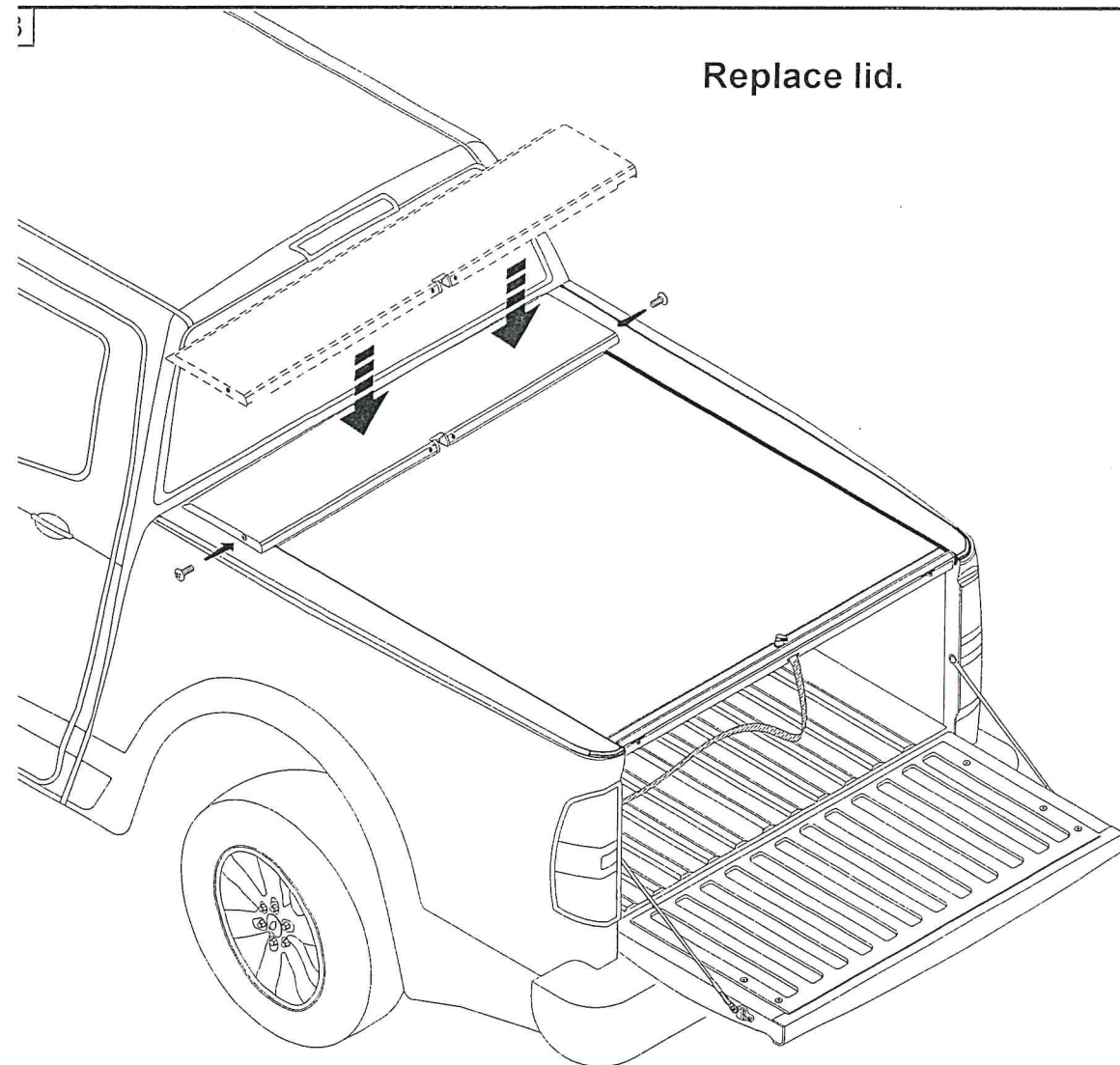
7

Remove spring stem bolt before adding tension to the spring reel.



Fully rotate spring stem (see mark) - 14 times

Replace lid.



**ROLL·N·LOCK®**

Any questions please call Roll·N·Lock  
Customer Service at 800-952-7655 or [rollinlock.com](http://rollinlock.com)