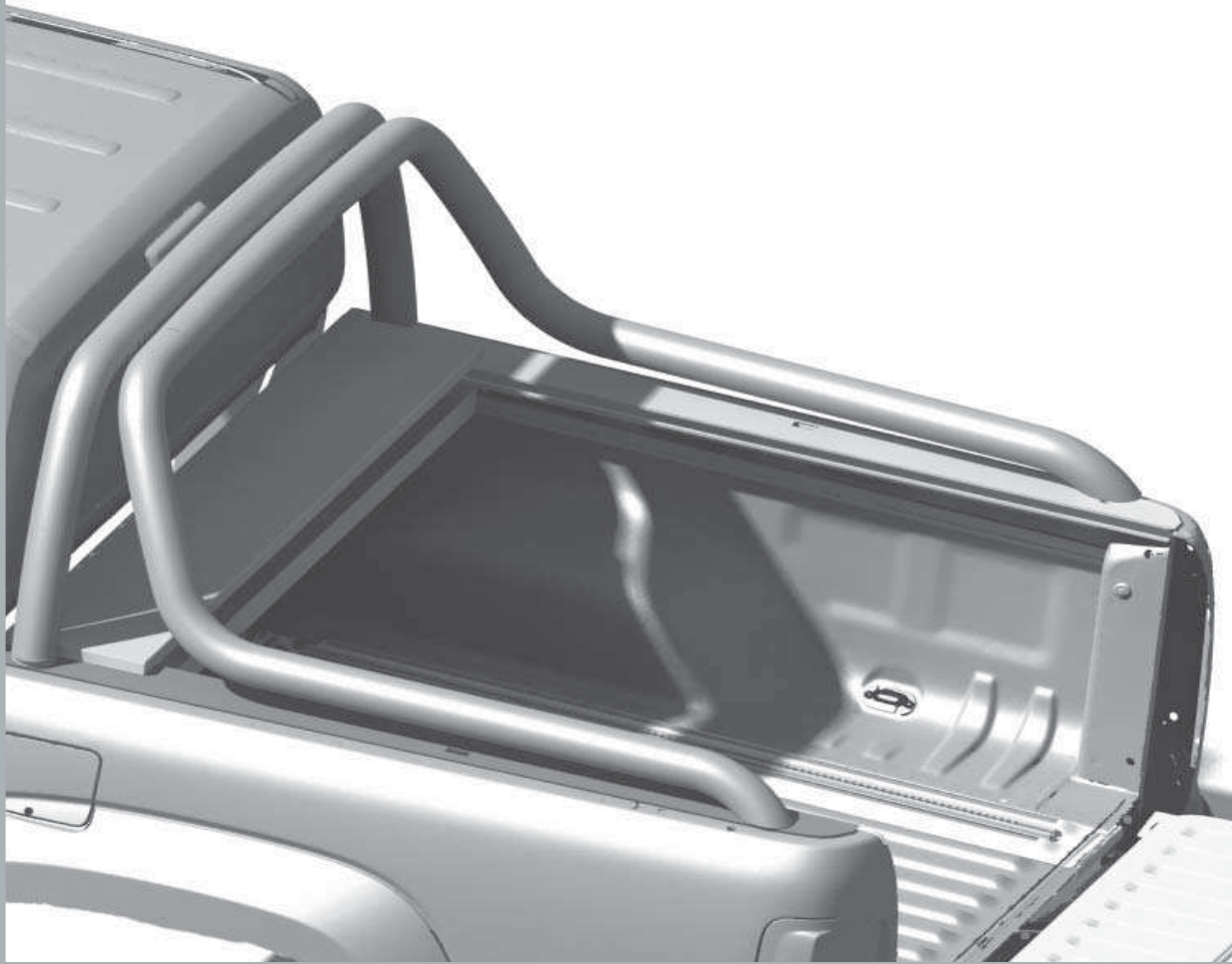


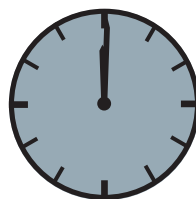
VW

ROAD RANGER®
PICKUP-ACCESSORIES



MONTAGEANLEITUNG

ASSEMBLING INSTRUCTION / INSTRUCTION DE MONTAGE



60 Minutes

VW Amarok 2010

Montagesatz Stylingbar RollINLock
Mounting kit styling bar RollINLock
Montage du style de kit RollINLock

Article-Nr: 13H9199

Road Ranger
Dr. Höhn GmbH
Künzelsauer Str. 13
D-74653 Ingelfingen

Phone: +49(0) 7940 / 9202-0
Fax: +49(0) 7940 / 920245

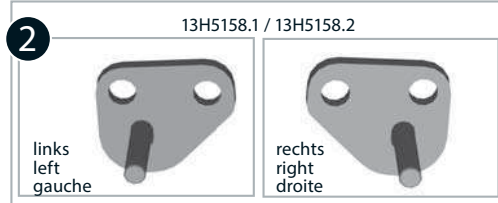
E-Mail: roadranger@hoehn.de
www.hoehn.de

WWW.ROADRANGER.DE

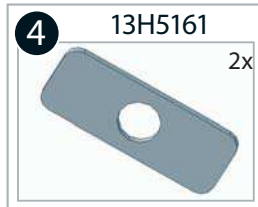
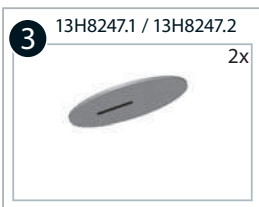
ROAD RANGER®

PICKUP-ACCESSORIES

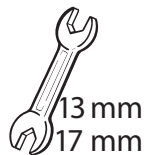
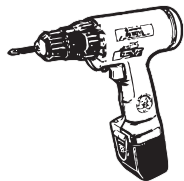
Teileliste / Parts list / Lista de accesorios



a1		M8 x 20; DIN 933 Zn	2x
a		M8 x 30; DIN 933 Zn	8x
b		M 10 x 40; DIN 933 Zn	2x
c		Ø 8,4; DIN 9021 Zn	2x
d		Ø 10,5; DIN 125 Zn	2x
e		Ø 8; DIN 127 Zn	8x
f		Ø 10; DIN 127 Zn	2x



Benötigte Werkzeuge / Required tools / Outillage requis

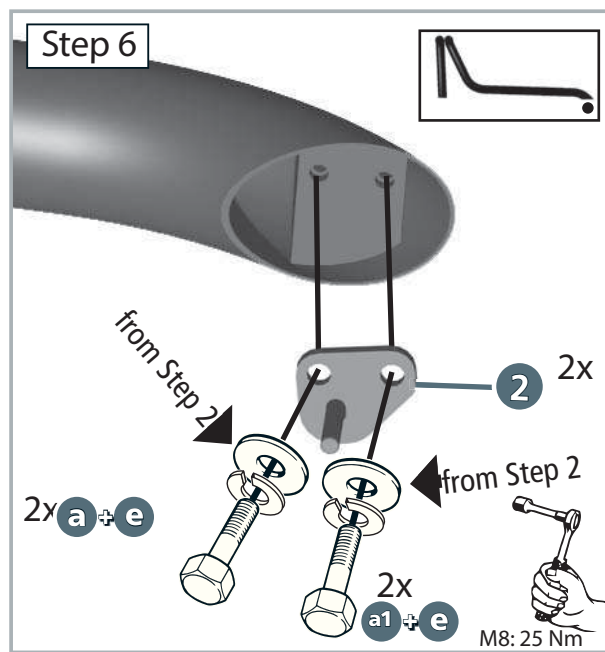
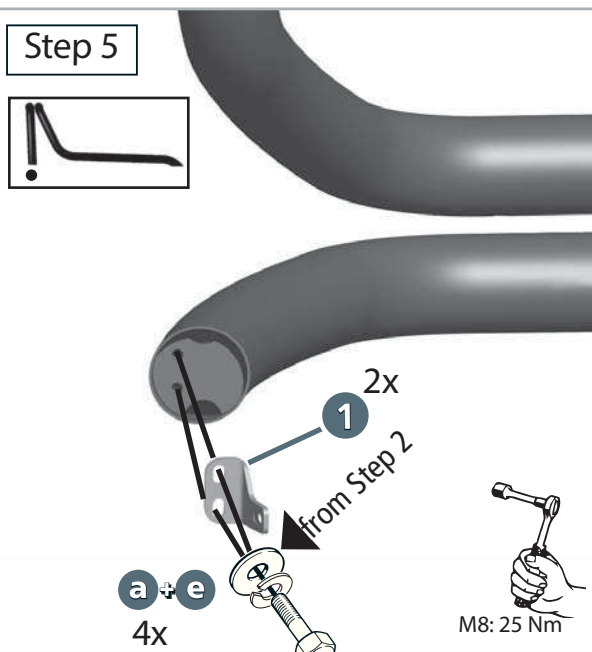
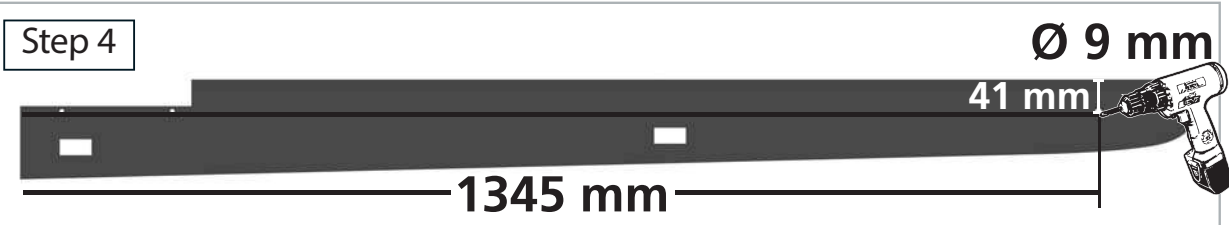
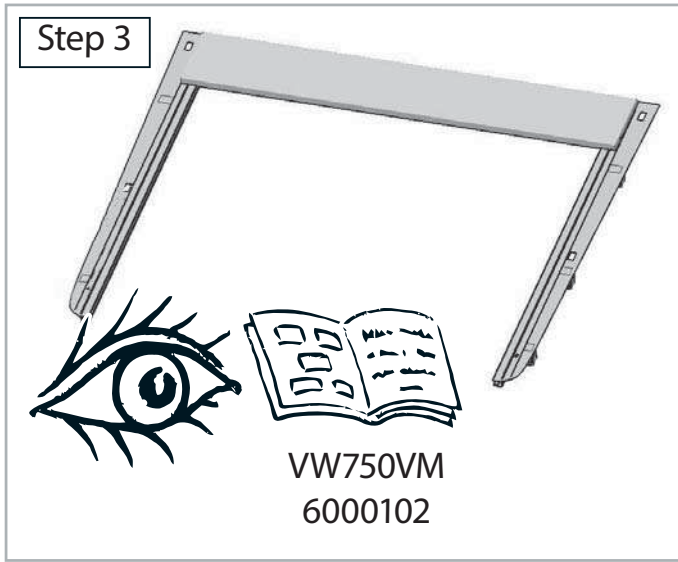
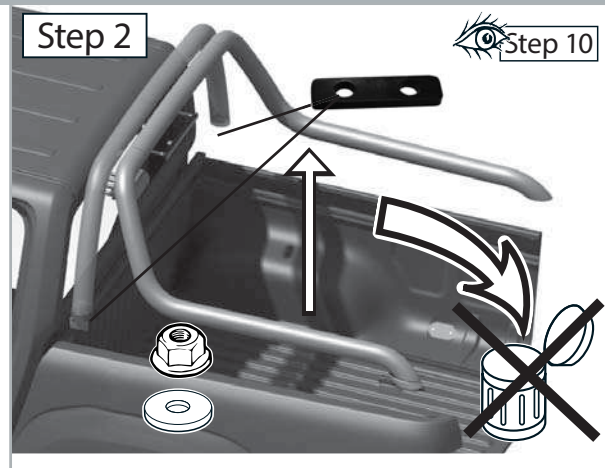
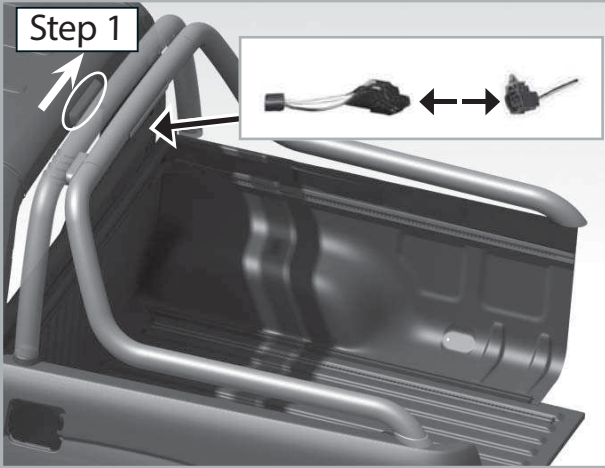


VW Amarok 2010

Montagesatz Stylingbar RollINLock
Mounting kit styling bar RollINLock
Montage du style de kit RollINLock

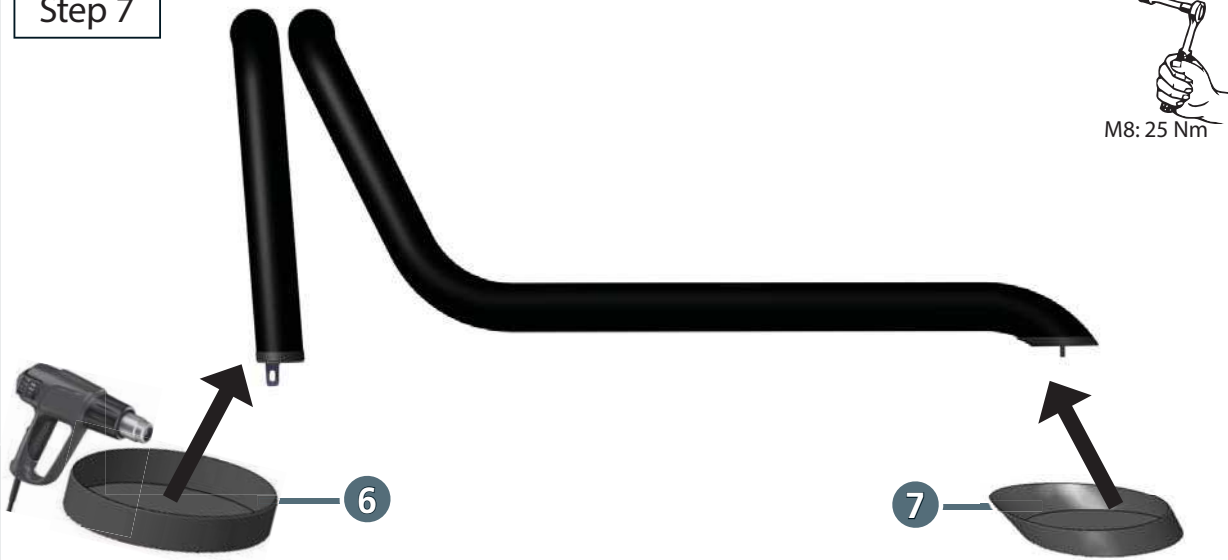
Article-Nr: 13H9199

WWW.ROADRANGER.DE

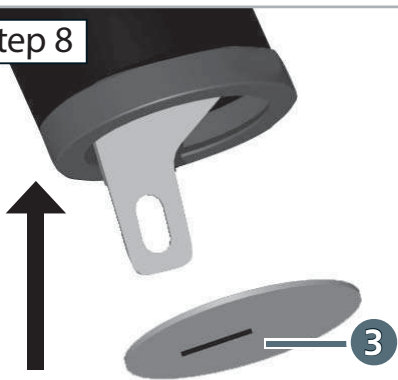


VW Amarok
Article-Nr: 13H9199

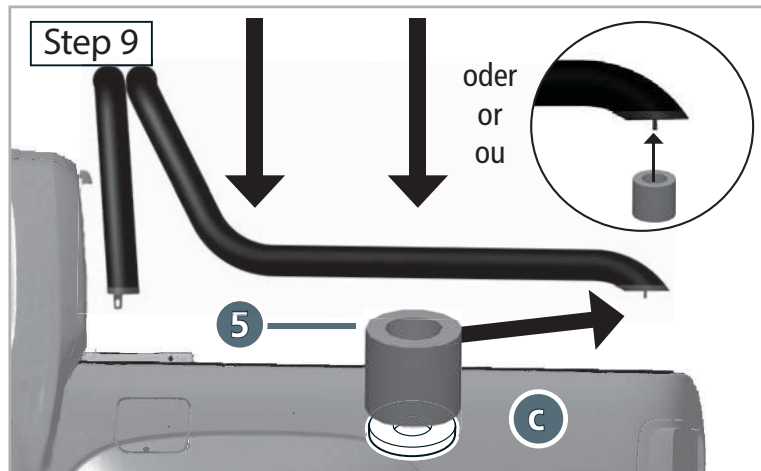
Step 7



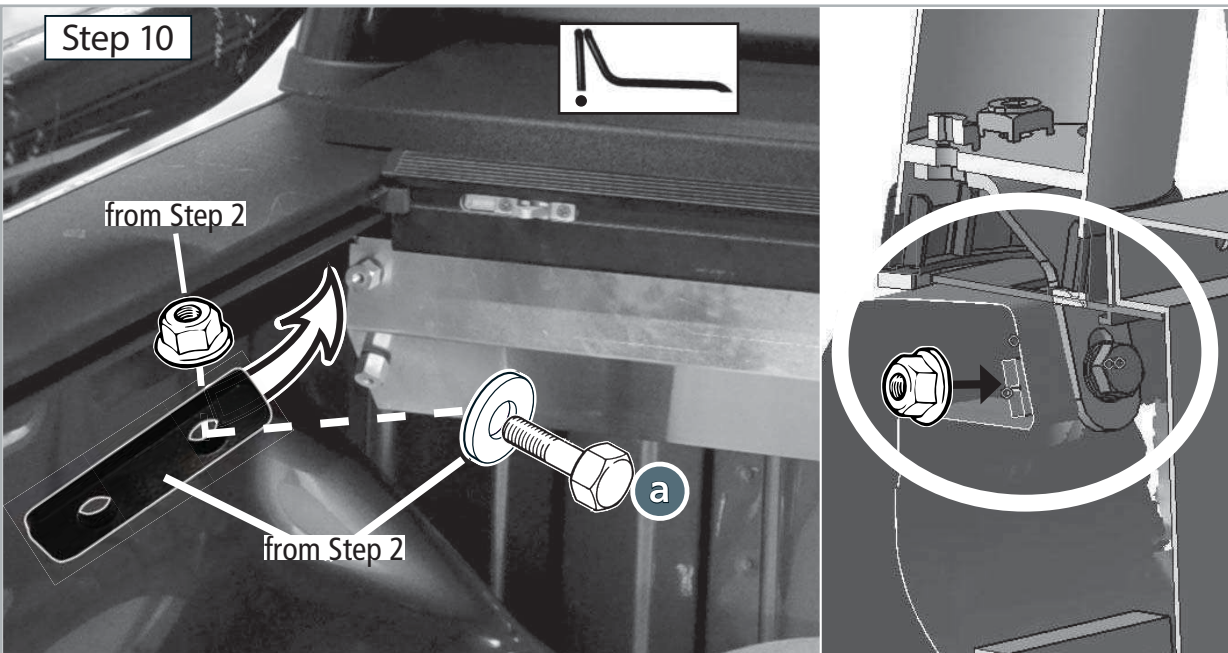
Step 8



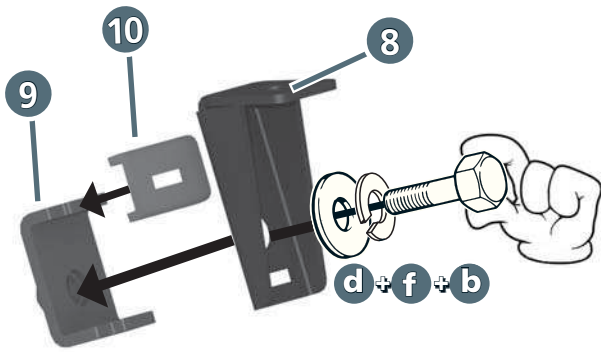
Step 9



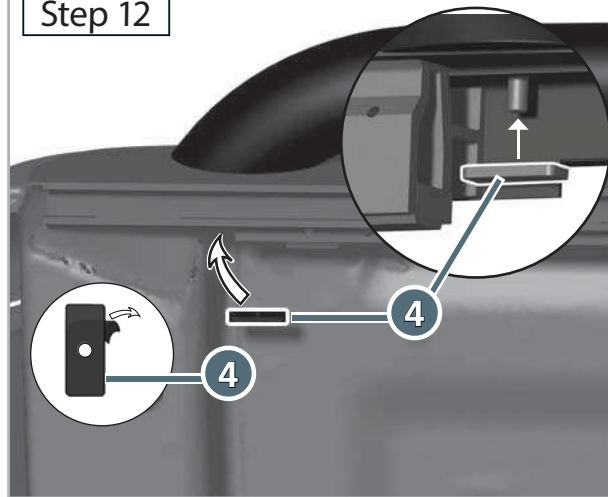
Step 10



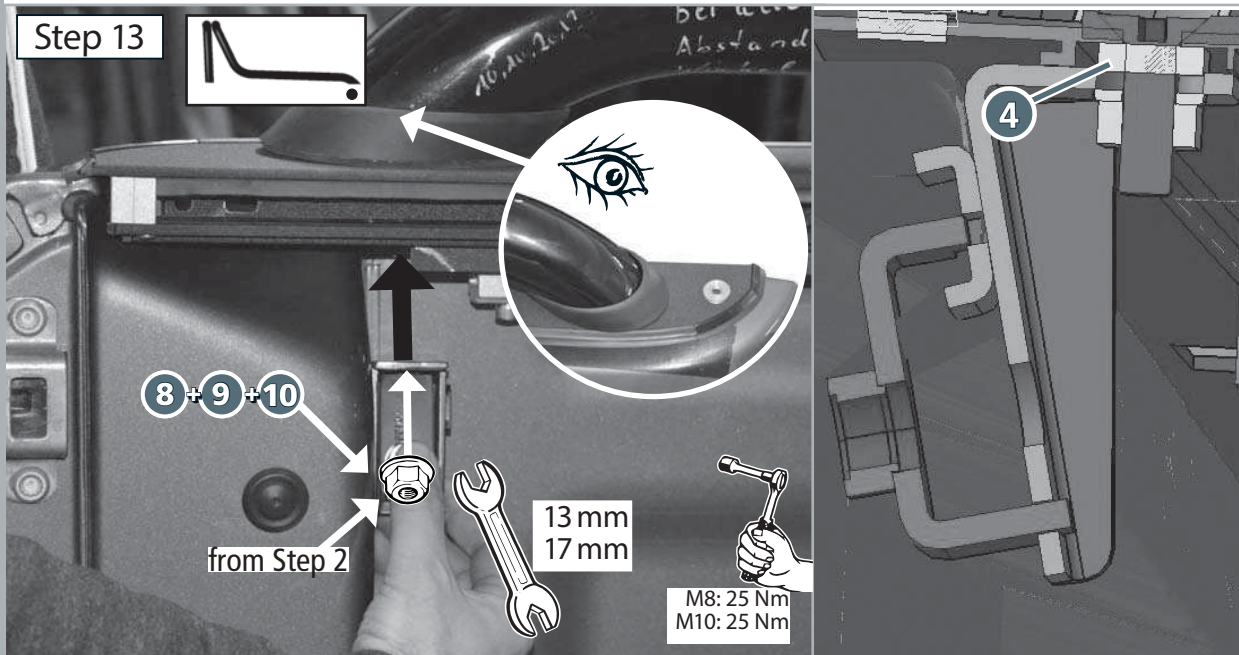
Step 11



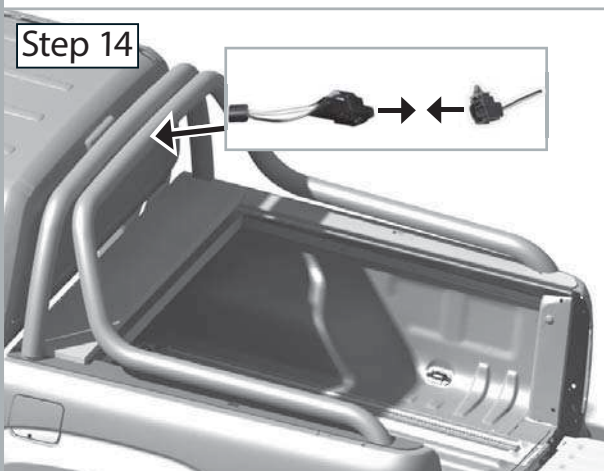
Step 12



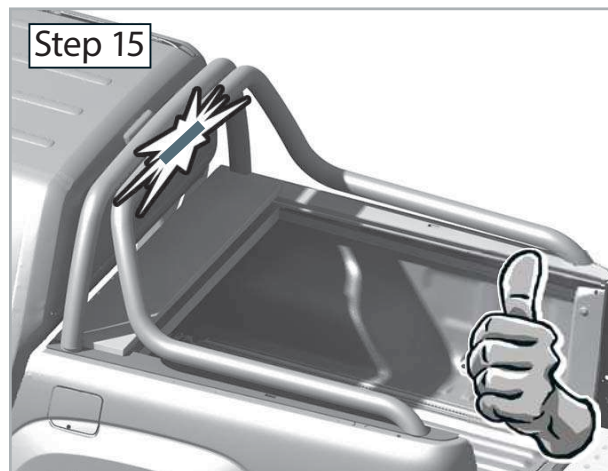
Step 13



Step 14



Step 15





INSTALLATION GUIDE
2010-CURRENT
VOLKSWAGEN AMAROK

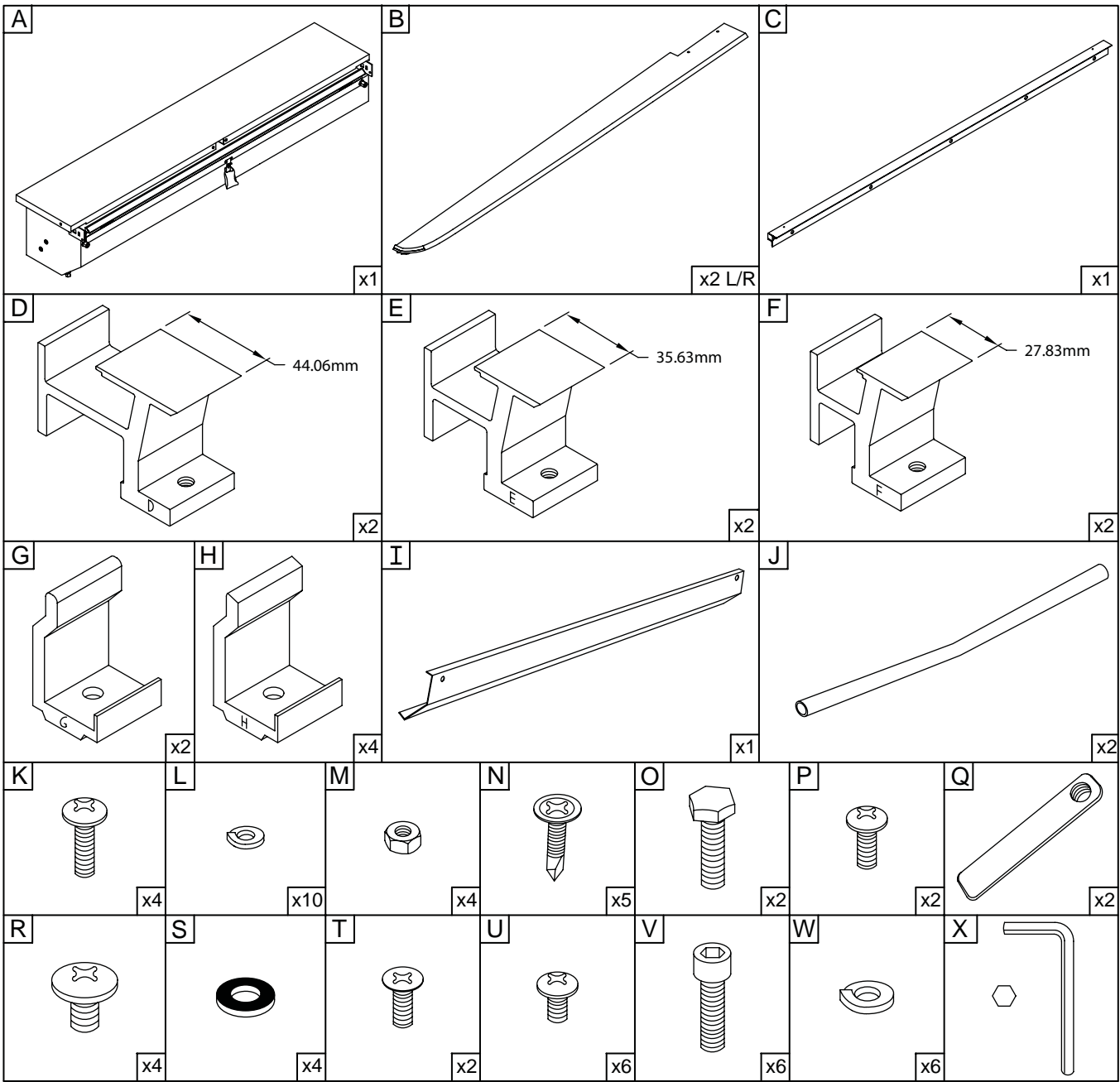


PRODUCT CODE:
750

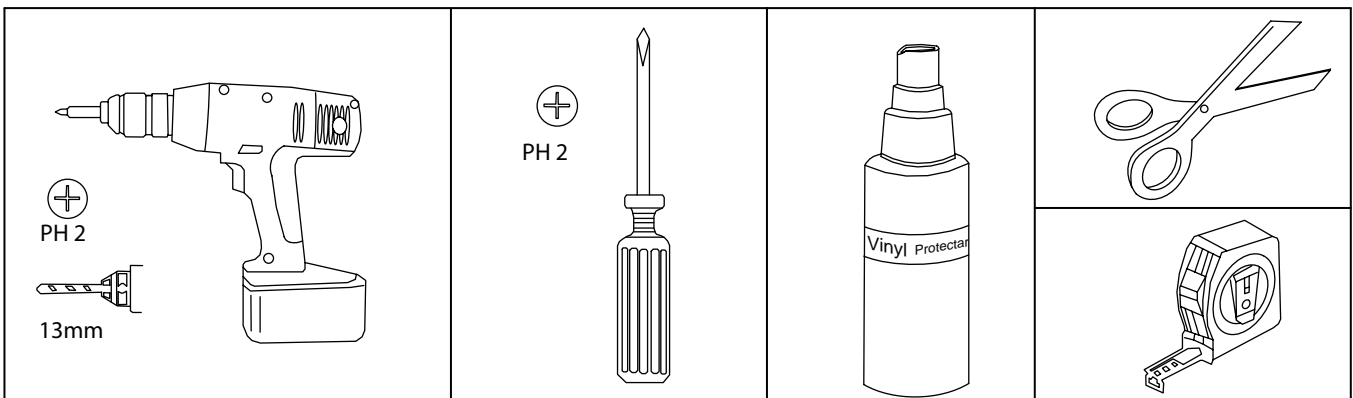


March 7, 2011

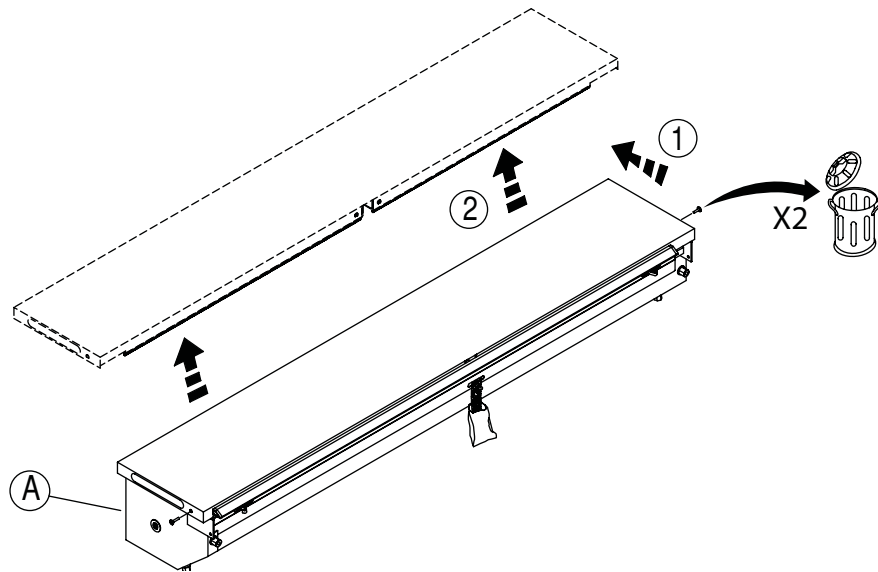
COMPONENTS - COMPONENTES



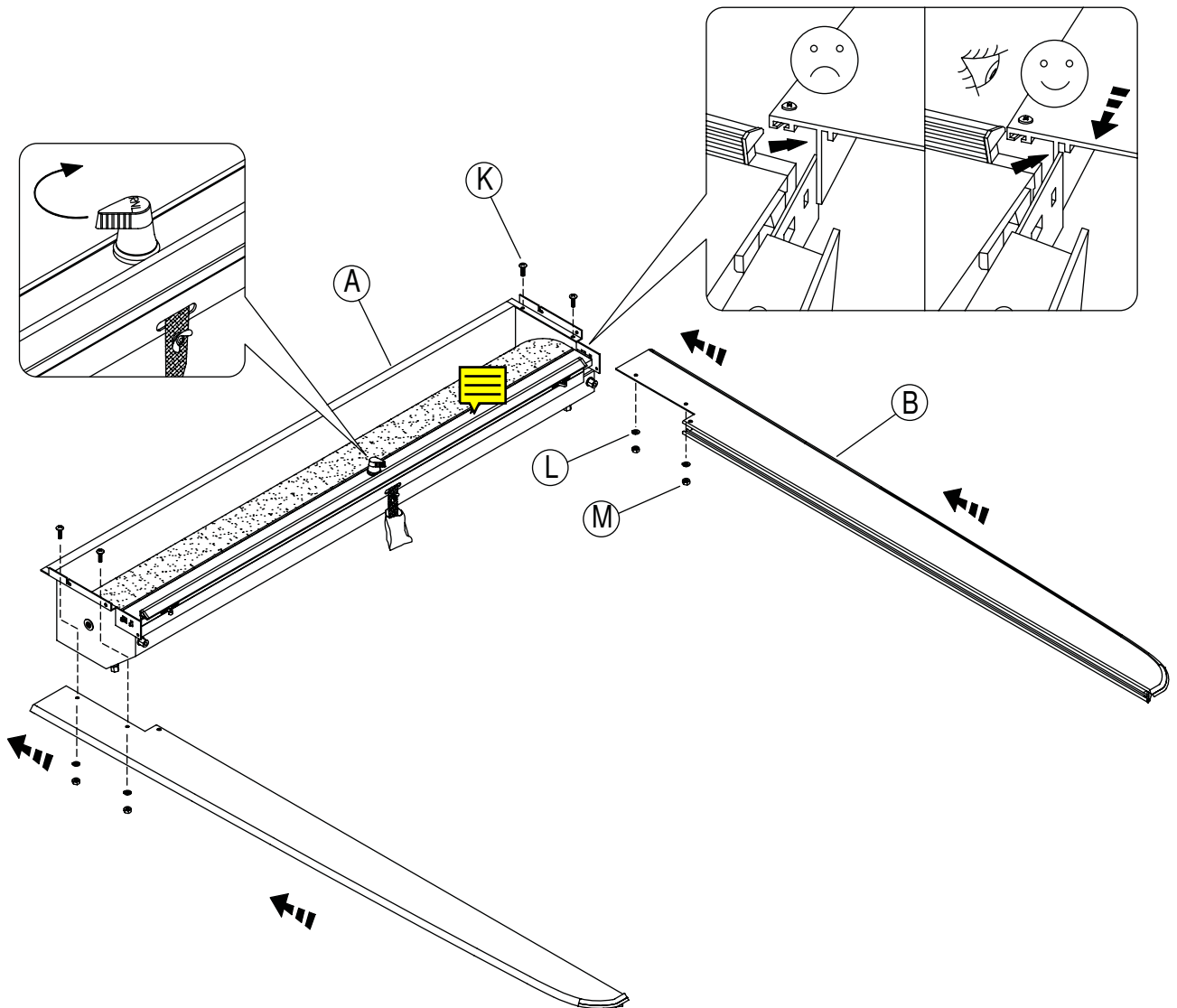
TOOLS - HERRAMIENTAS

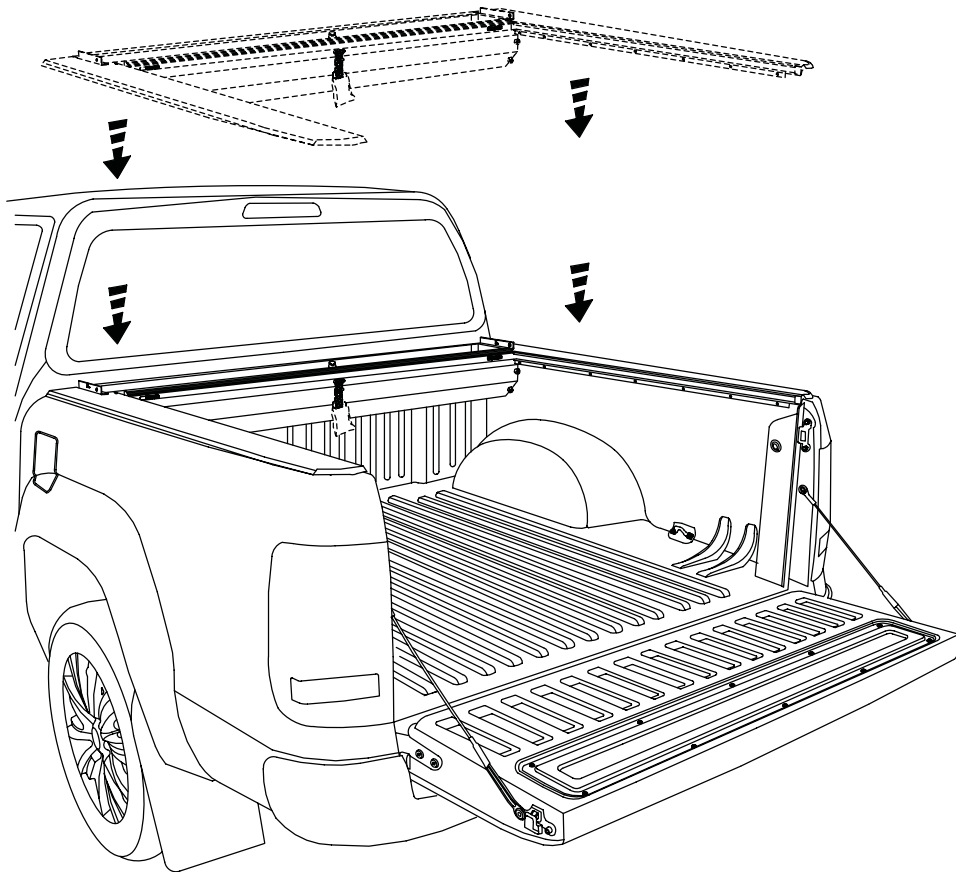
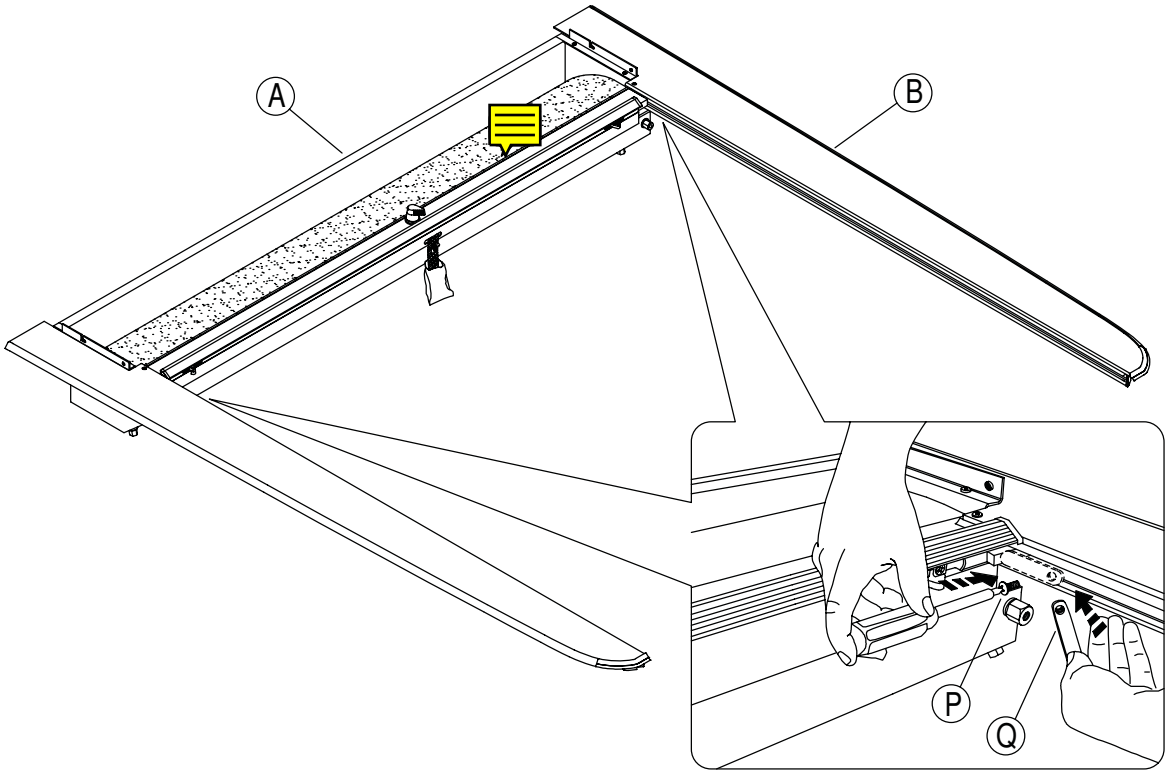


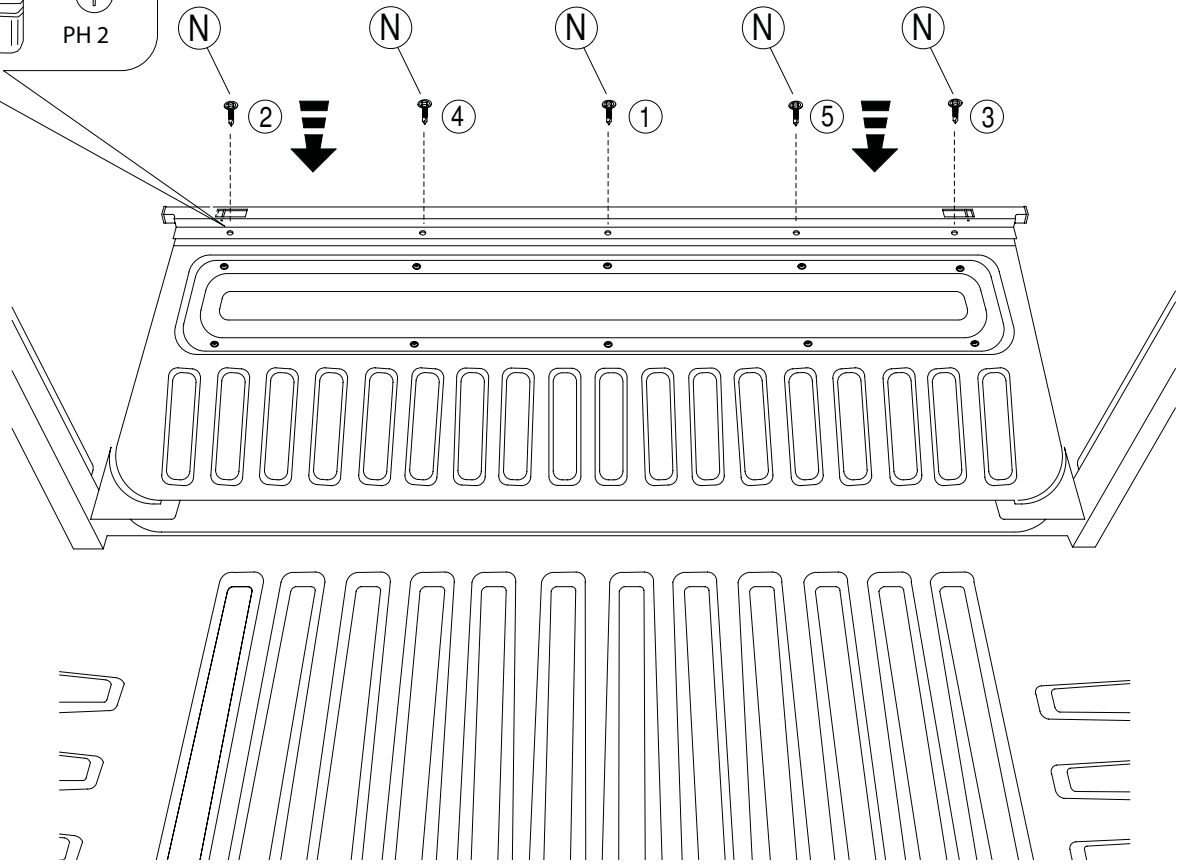
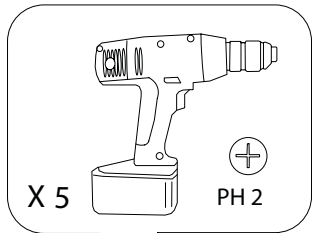
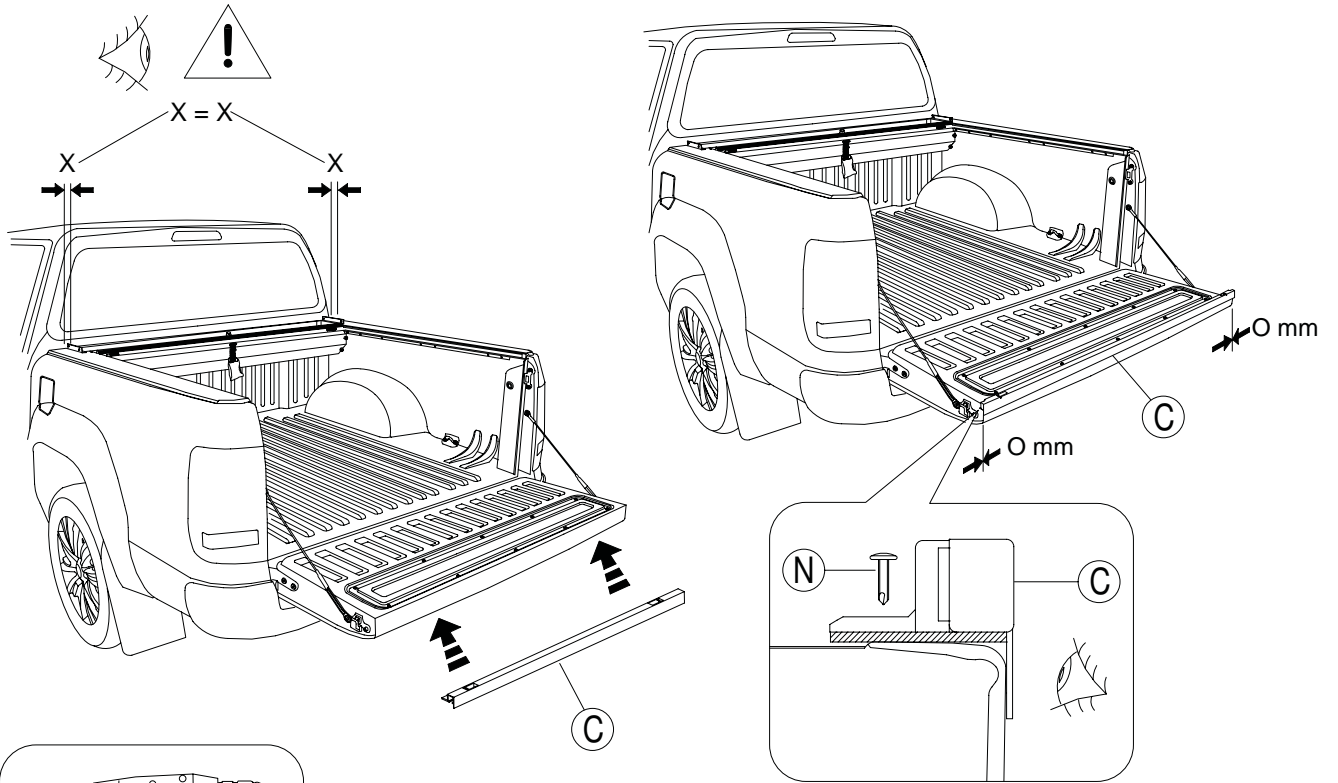
1

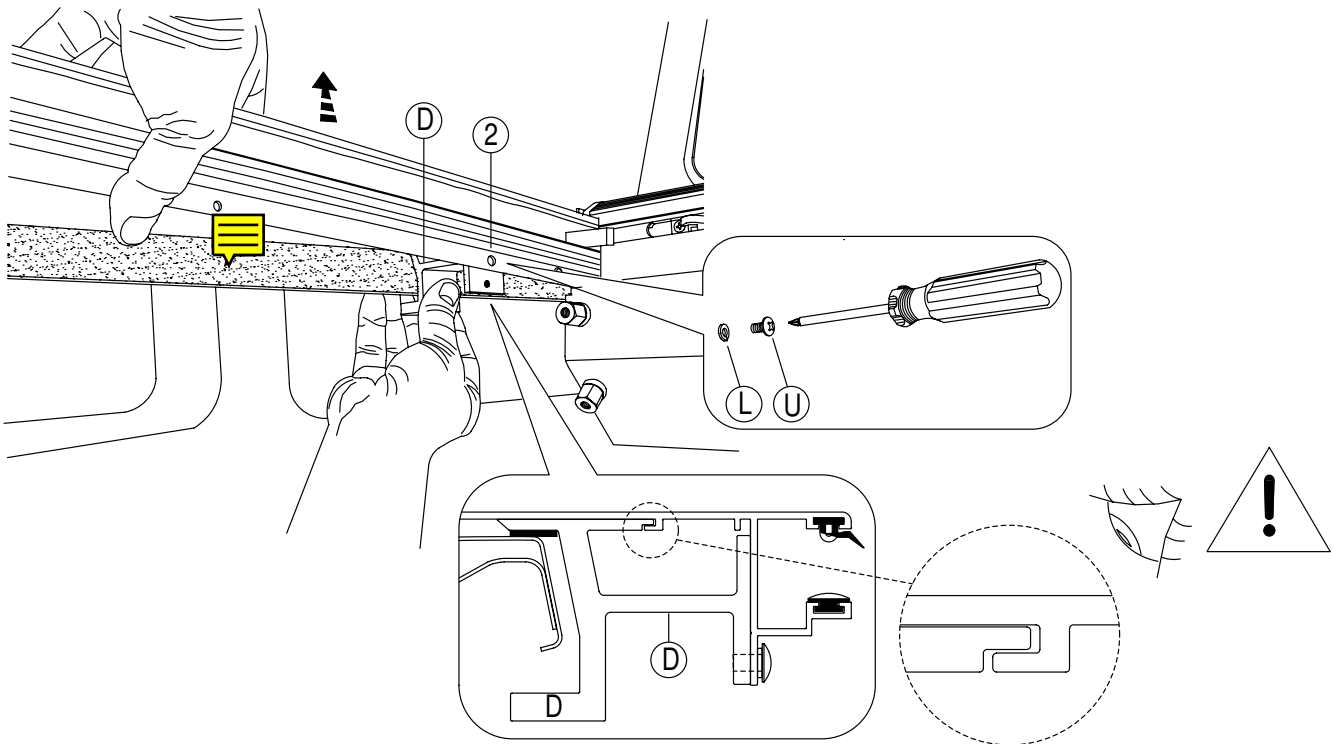
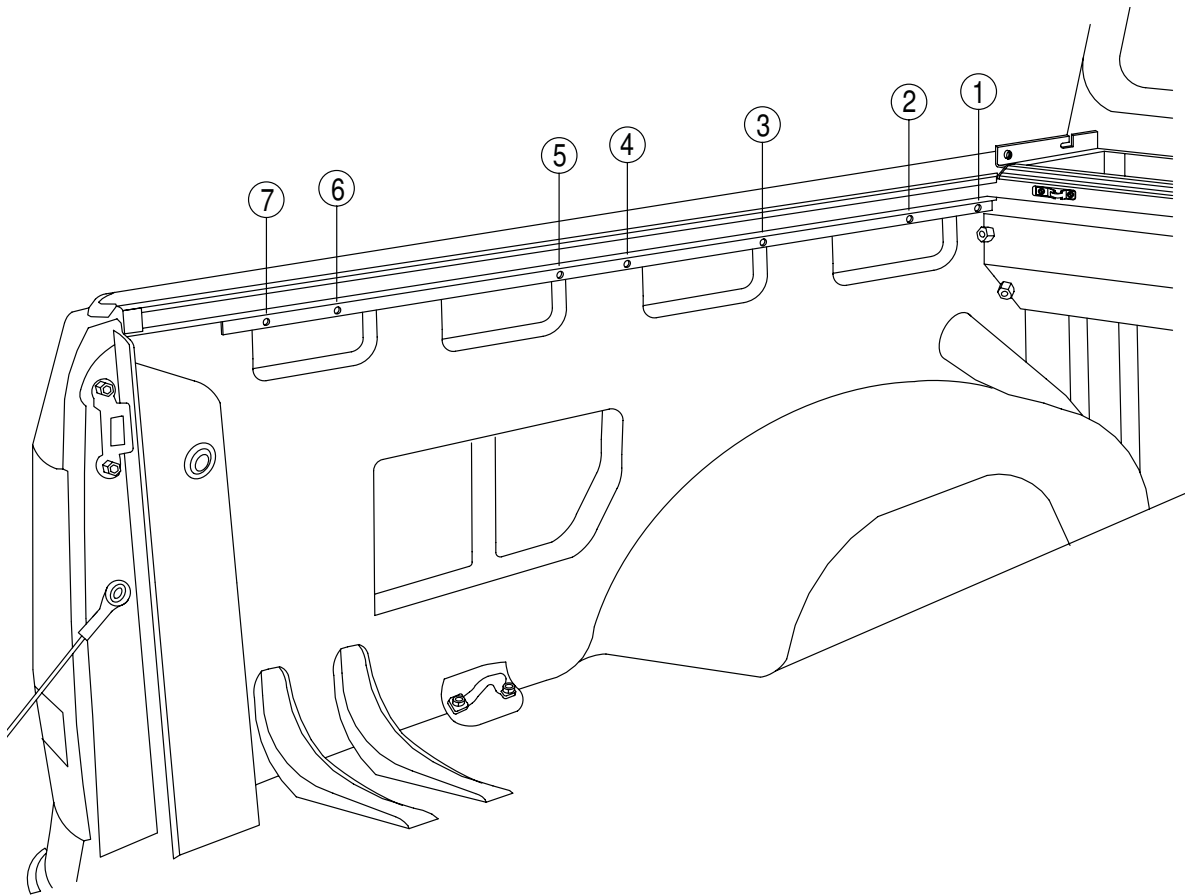


2

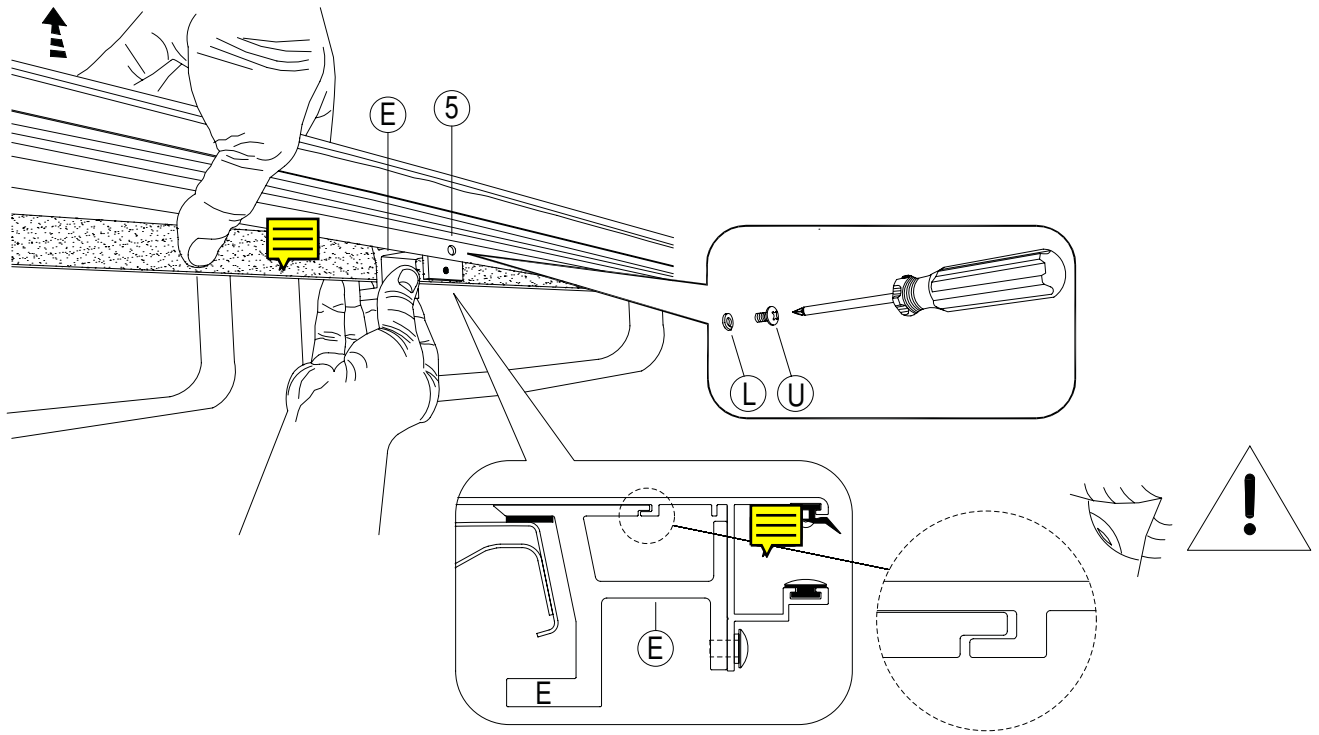




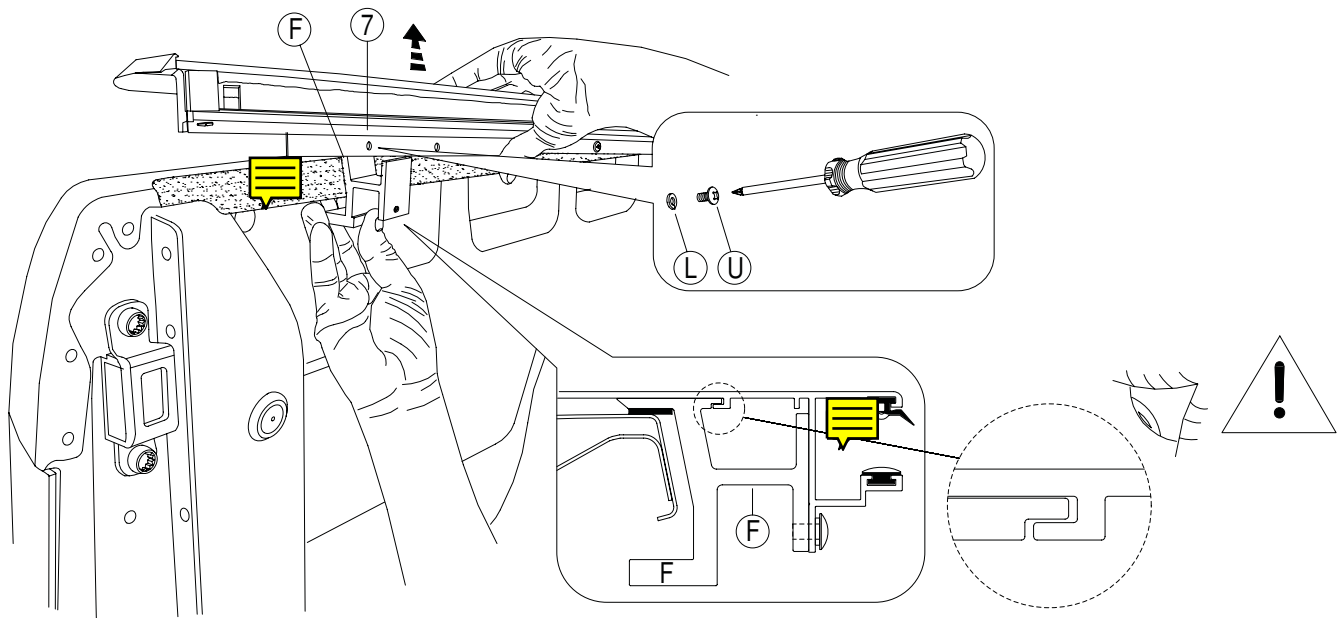




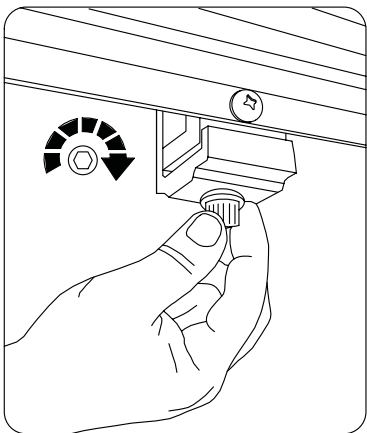
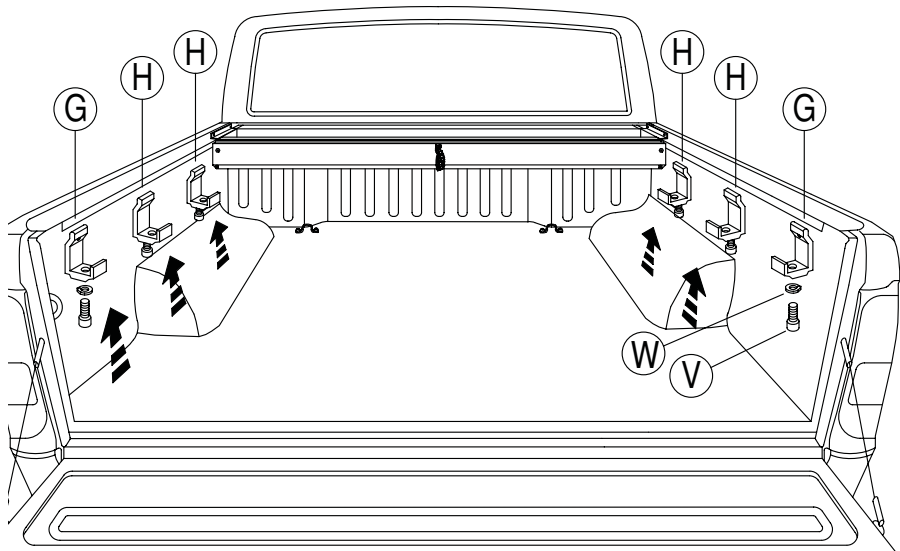
8



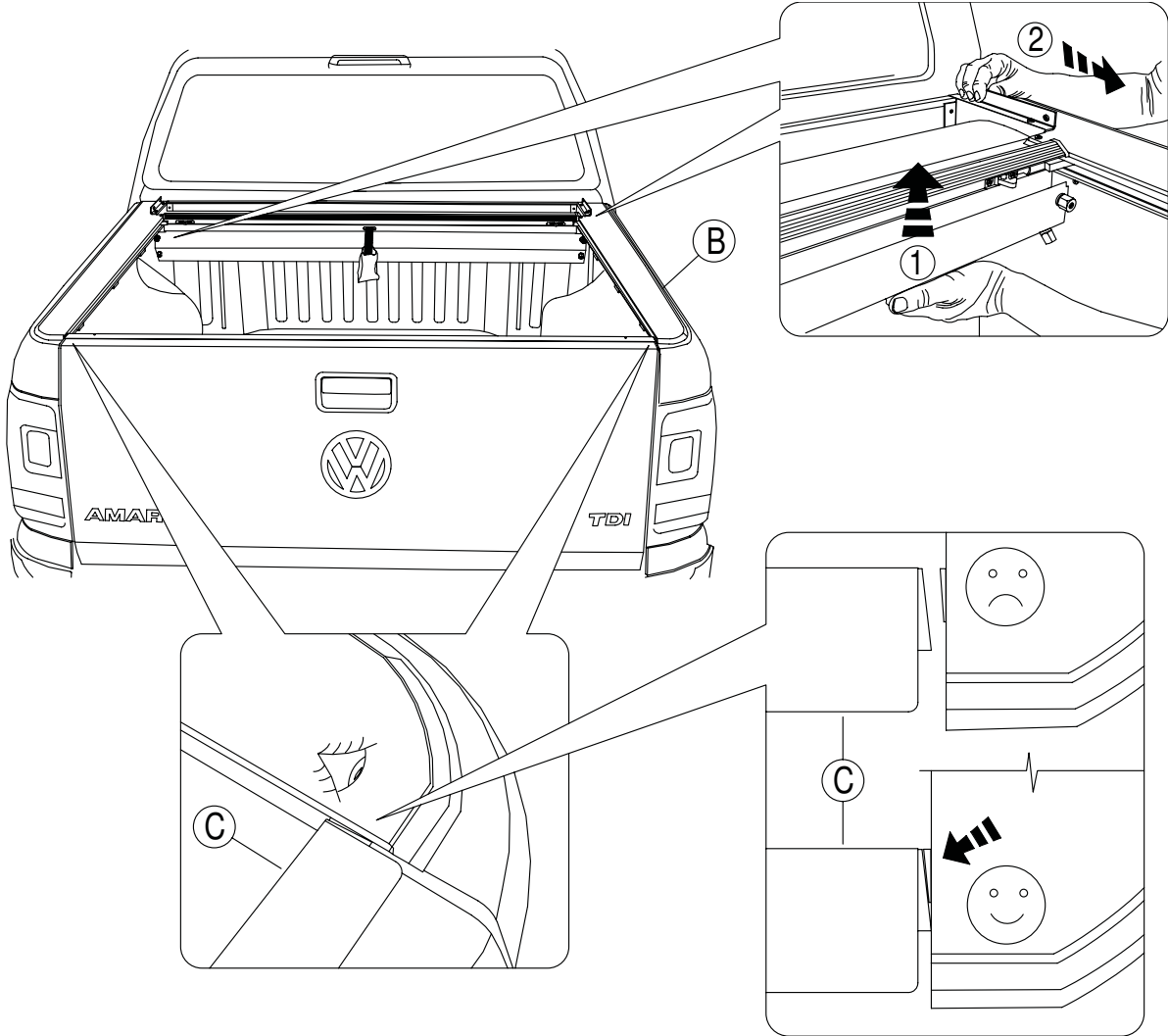
9

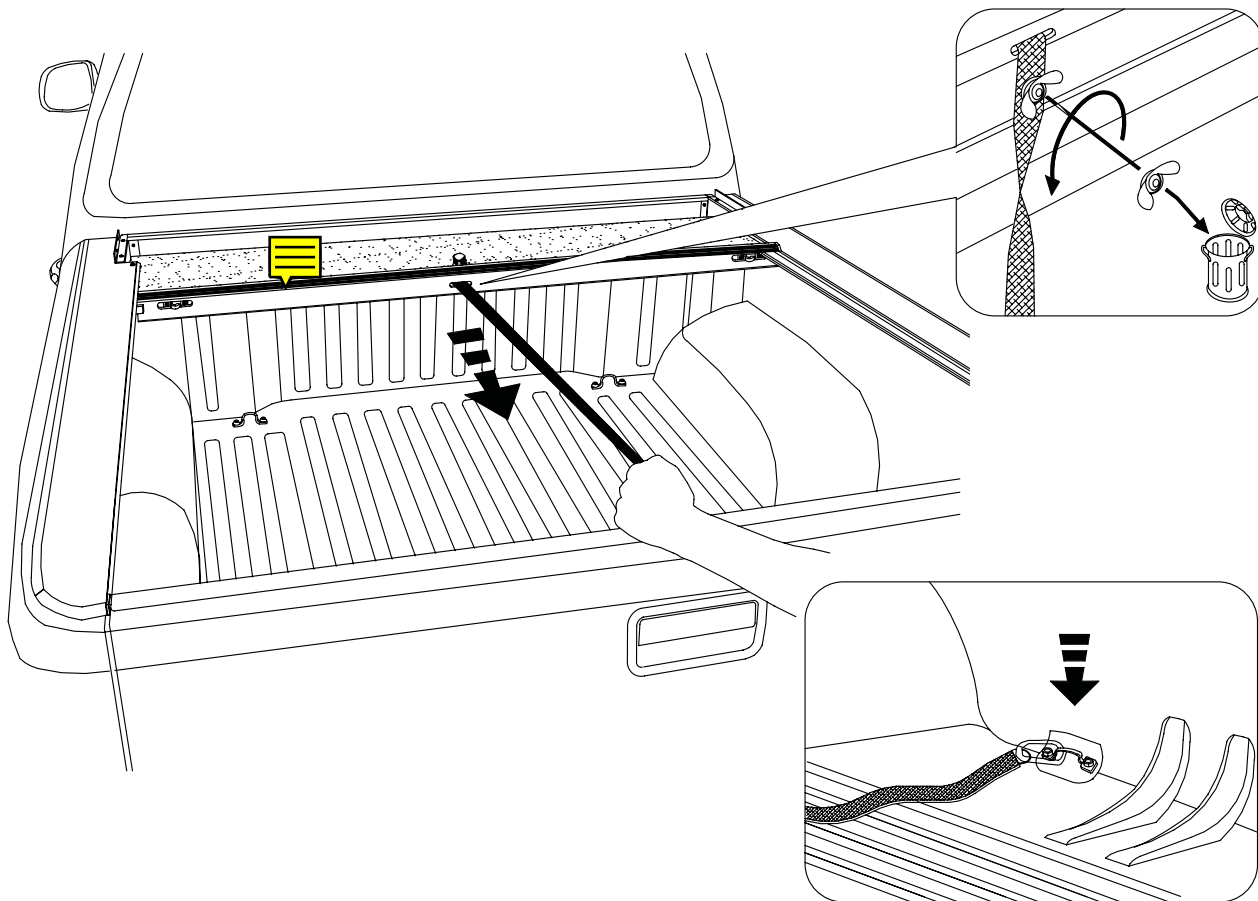
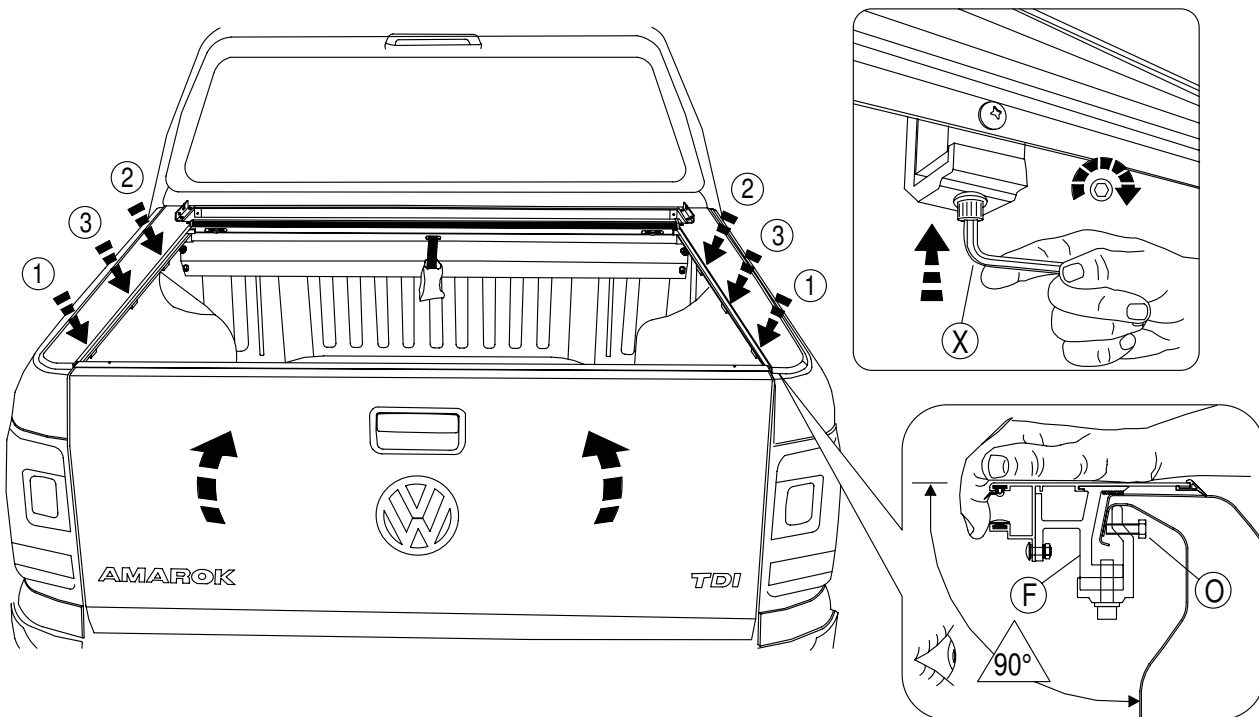


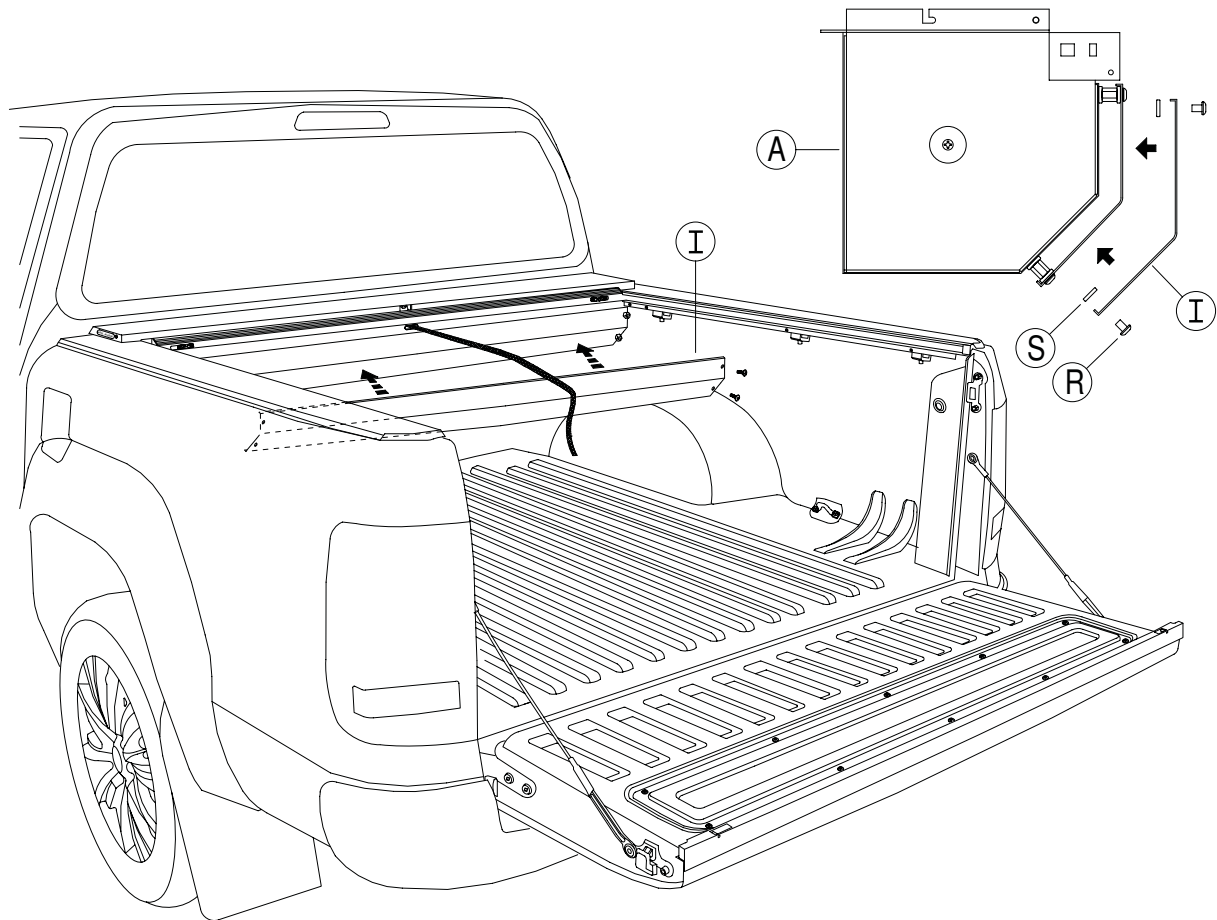
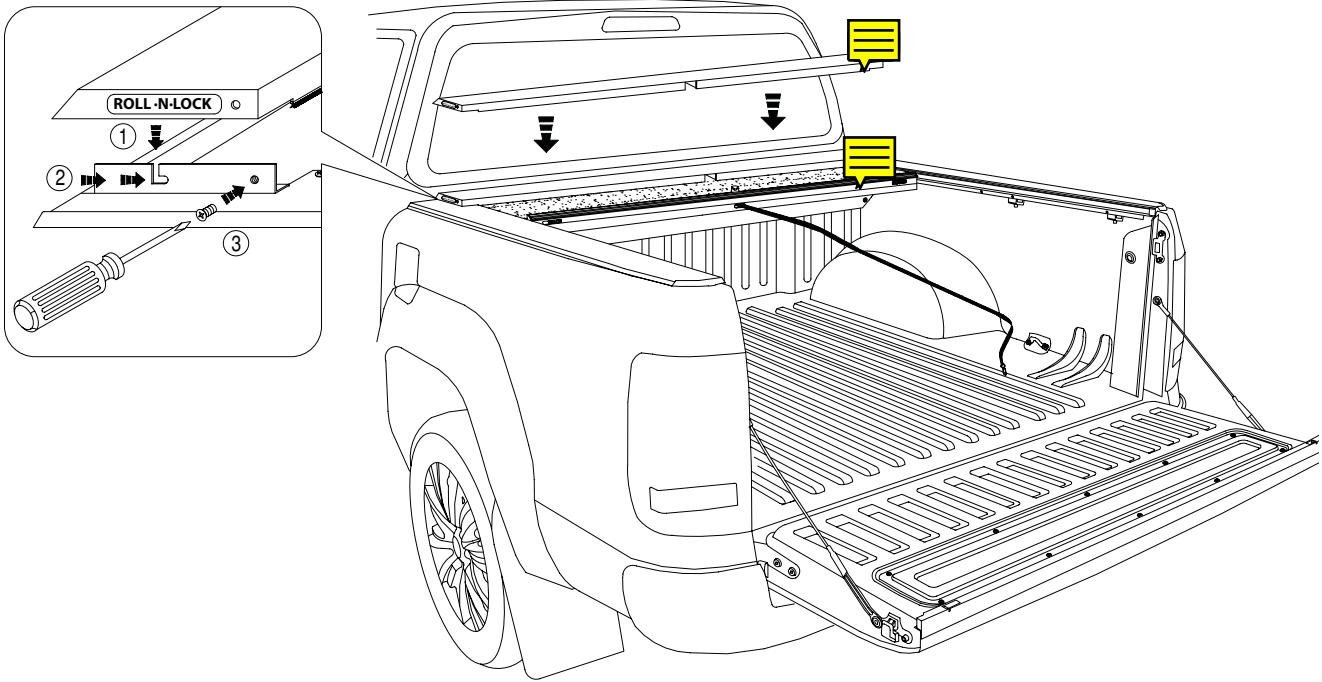
10

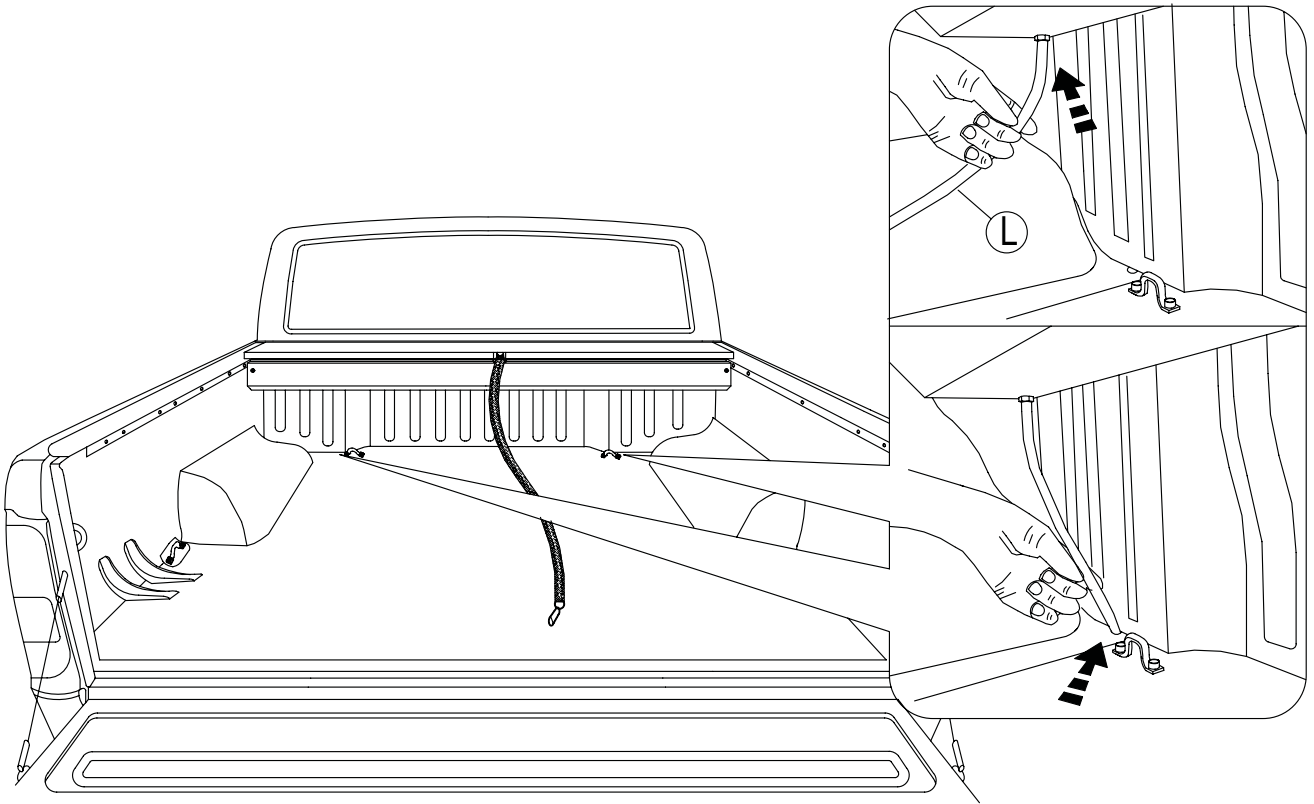


11











QwikFoot™

INSTALLATION GUIDE

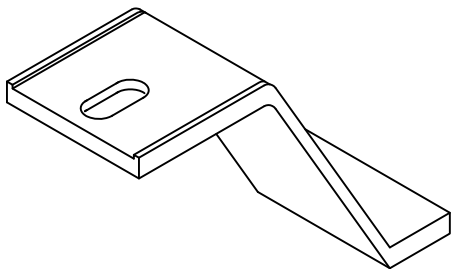
VOLKSWAGEN AMAROK - QF750



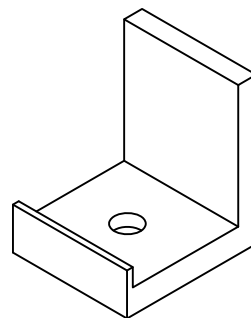
Amarok Style Bar Kit - Parts List

<u>Item</u>	<u>Description</u>	<u>Qty.</u>
A	Style Bar Bracket	4
B	Style Bar Bed Clamp	4
C	Front Boot	2
D	Back Left Boot	1
E	Back Right Boot	1
F	M8 Socket Cap Screw	8
G	M8 Lock Washer	8
H	Allen Wrench	1

A



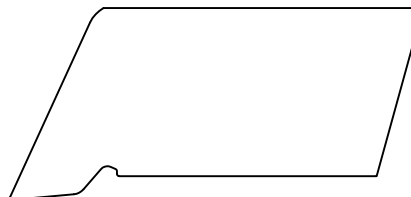
B



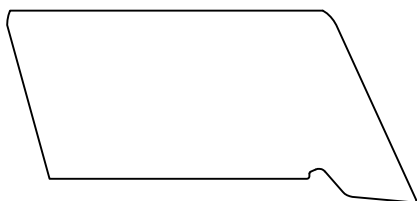
C



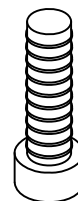
D



E



F



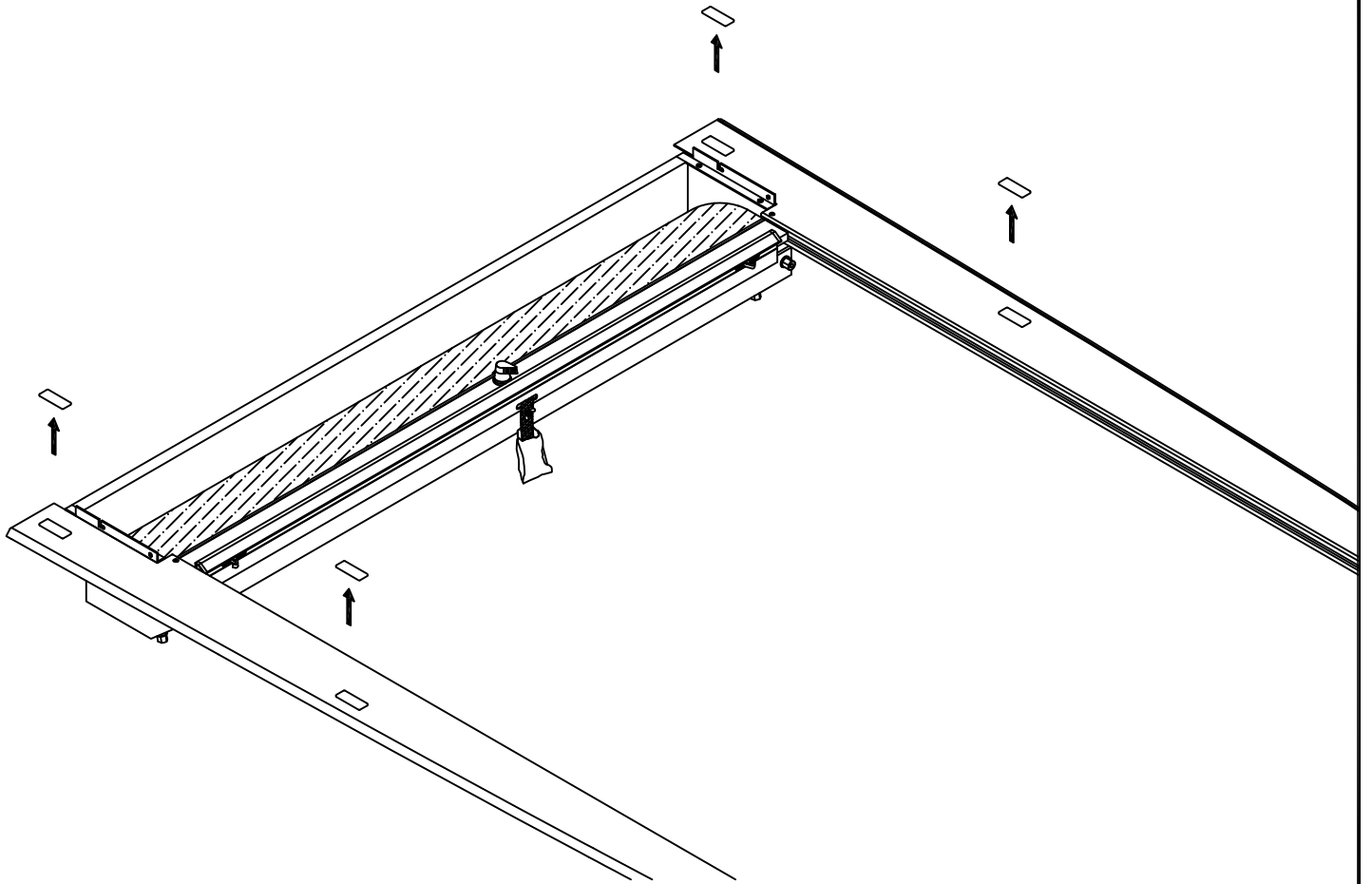
G



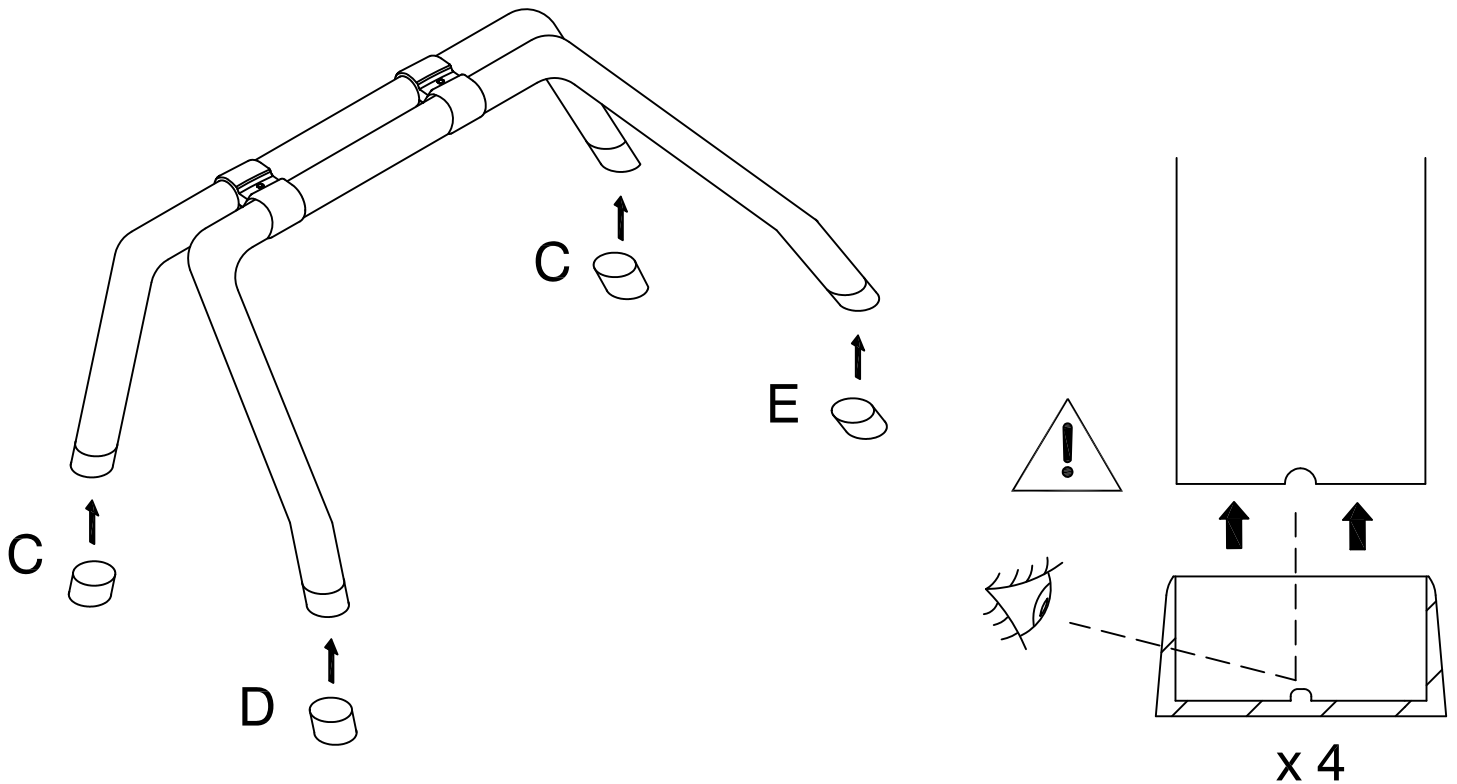
H



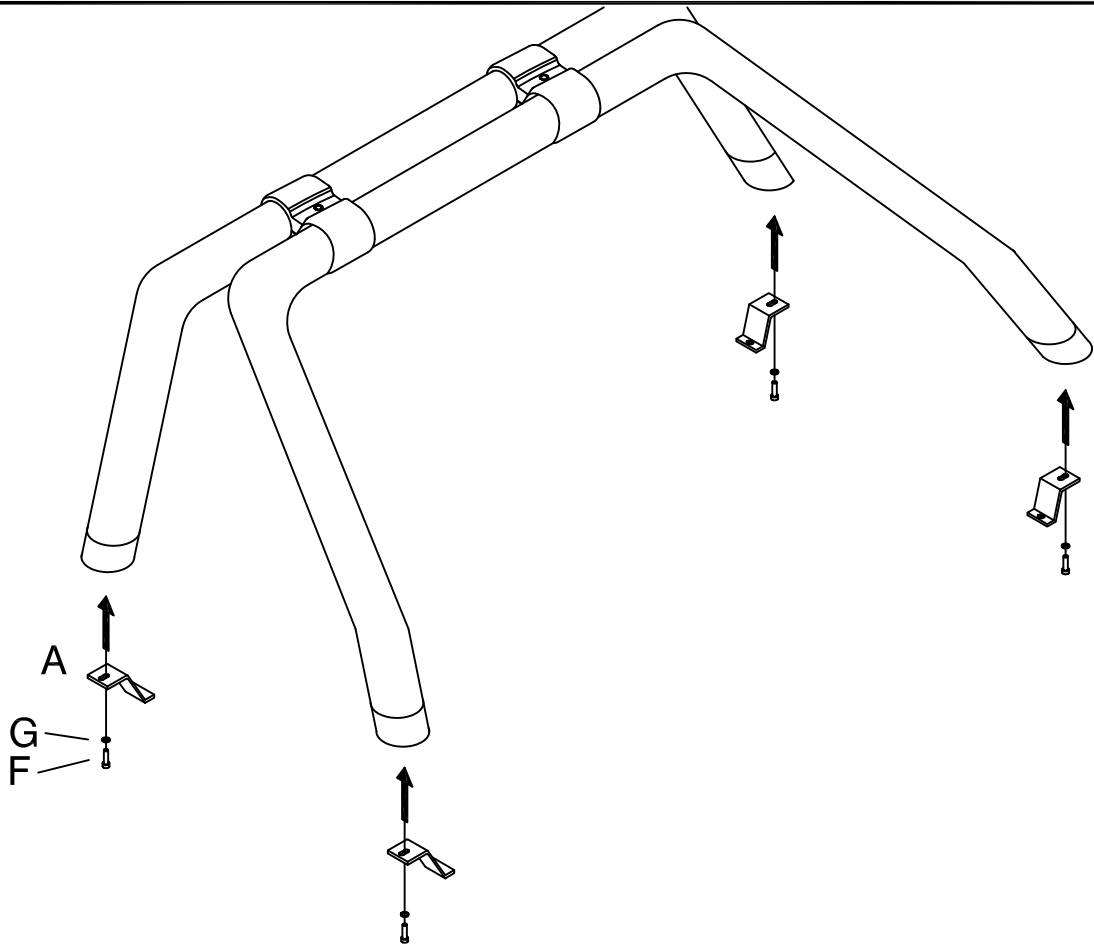
1



2



3



4

