

Vehicle Tub Sealing Kit for Isuzu D Max & Mazda BT50 20+

Part # SLVSXX / 10057018

READ INSTRUCTIONS CAREFULLY BEFORE COMMENCING THIS ACTIVITY.

General Notes

To aid in installation the correct order of accessory installation needs to be observed:

1. Install all electrical components first.
2. Install Vehicle Tub Sealing Kit.
3. Install vehicle tub protective products such as tub liners*.
4. Install styling bar onto Sportlid.
5. Install the Sportlid Fitting Kit.
6. Install the Sportlid.
7. Install any additional accessories such as roof racks.

**Sportlid is compatible with under rail and Sport Guard style tub liners. Some trimming may be required. OEM liner compatibility cannot be guaranteed. Please contact your dealer for more information.*

- Read through the fitting instructions before installation of accessory.
- Check that the contents of the Fitting Kit are complete and undamaged.
- If any contents of the Fitting Kit are found incomplete or damaged they must be replaced using the specified accessory components.
- Always install the accessory following the fitting instructions. Failure to do so may cause damage to the vehicle or the accessory and void the warranty.
- Ensure all recyclable discarded vehicle/accessory components and packaging are disposed following local recycling regulations.
- Safely store and protect any removed vehicle components.
- Ensure all bare metal surfaces are protected using Automotive Bare Metal Primer and touch-up paint.
- Remove all metal swarf and dust from all vehicle surfaces if surface is used for accessory installation.
- Ensure all fasteners are torqued to the specifications as per instruction.
- Apply any adhesives to the vehicle only when the surface temperature is between 20°C to 40°C.
- **Sportlid:** Recommended all smooth lids are painted. Failure to paint lid will void the warranty.
- **Bedliner:** Recommended rust preventative solution be applied to vehicle surfaces before installation.

General Vehicle and Accessory Warranty Notes and Cautions

- For correct installation and proper operation of the vehicle and accessory we recommend this accessory is fitted by a qualified Technician.
- During the accessory fitment ensure all automotive safety practices and regulations are followed.
- Do not modify the vehicle in any way other than specified in these Accessory Fitting Instructions as this may void the warranty.

Safety Notes

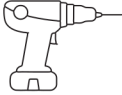
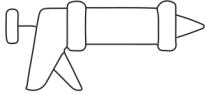



- Check that all work practises comply with safety standards.
- It is advisable to seek assistance from another person when lifting heavy components.
- While using power tools ensure safe procedures are followed.
- Appropriate clothing & PPE must be worn.




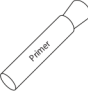



Vehicle Tub Sealing Kit for Isuzu D Max & Mazda BT50 20+

Part # SLVSXX / 10057018

READ INSTRUCTIONS CAREFULLY BEFORE COMMENCING THIS ACTIVITY.

Tools Required					
No.	Description	Image	No.	Description	Image
1	Power drill & 5mm drill bit		2	Clear non-acetic silicone	
3	Metric ruler		4	Cleaning rags	
5	Rivet Gun		6		

Kit Contents- Hardware				
No.	Item Description	Quantity	Image	Part Number
1	Isuzu / Mazda 20+ Sealing Channel (1532mm)	1		10057017
2	Foam tub sealing block	1 set		10055099
3	Pop rivets 4X18MM	4		10053982
4	3M Surface Primer	2		10051996
5	Alcohol wipes	2		10051664

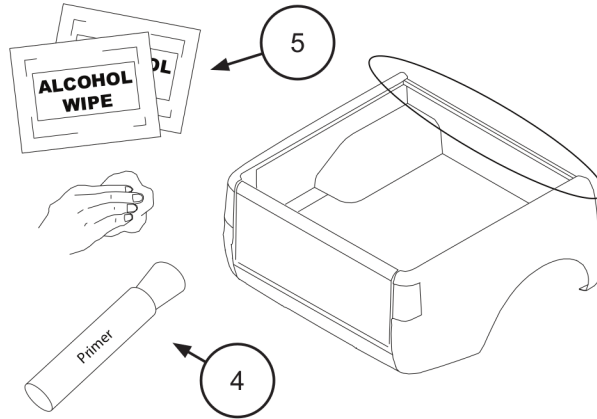
Vehicle Tub Sealing Kit for Isuzu D Max & Mazda BT50 20+

Part # SLVSXX / 10057018

READ INSTRUCTIONS CAREFULLY BEFORE COMMENCING THIS ACTIVITY.

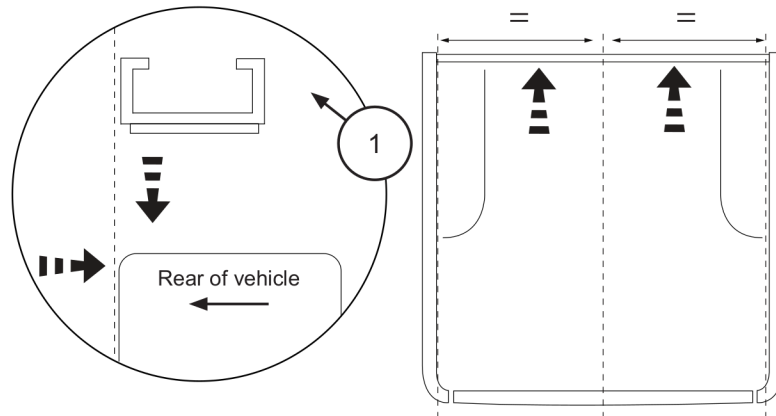
Step 1

- Thoroughly clean the front rail surface using alcohol (5).
- Prepare surface with primer (4).



Step 2

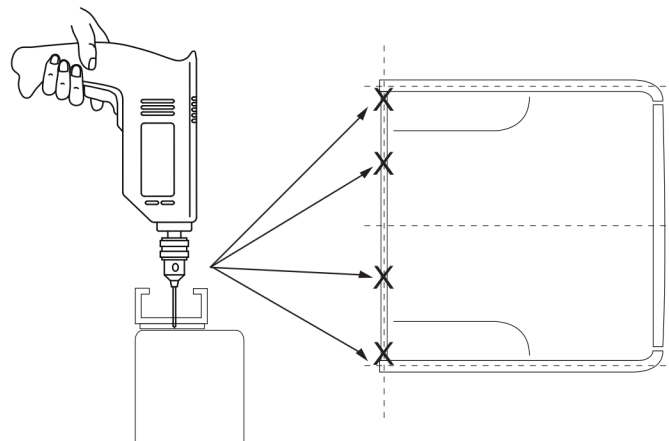
- Align the sealing channel (1) along the rear edge of the header rail.
- Install the sealing channel (1).
- Apply downward pressure along the length of the sealing channel.



Step 3

!!! OPTIONAL !!!
Drilling into the panel work of certain vehicles may void vehicle panel warranty.

- Drill & rivet (3) item (1) into position.



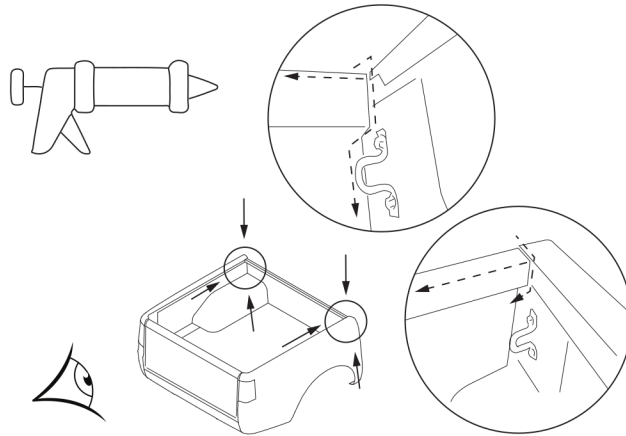
Vehicle Tub Sealing Kit for Isuzu D Max & Mazda BT50 20+

Part # SLVSXX / 10057018

READ INSTRUCTIONS CAREFULLY BEFORE COMMENCING THIS ACTIVITY.

Step 4

- Carefully examine the front corners of the vehicle deck. Take note of any gaps or voids where water ingress may occur.
- Using non-acetic silicone seal gaps & voids.
- Clean all surfaces of unwanted silicone.



Step 5

NOTE 1: If installing premium version or Sport Bar ensure wiring loom has been installed before undertaking this step.

NOTE 2: If a tub liner is installed it is recommended removing before commencing this step.

- Install under rail foam sealing blocks (2)
- Once blocks are firmly seated, seal around the edges using generous amounts of non-acetic silicone.

