

Vehicle Tub Sealing Kit for VW Amarok

Part # SLVS08 / 10055899

Instruction # 37800008 (1 of 2) / 10055900

Vehicle Tub Sealing Kit for VW Amarok

Part # SLVS08 / 10055899

READ INSTRUCTIONS CAREFULLY BEFORE COMMENCING THIS ACTIVITY.

General Notes

To aid in installation the correct order of accessory installation needs to be observed:

- 1. Install all electrical components first.**
- 2. Install Vehicle Tub Sealing Kit.**
- 3. Install vehicle tub protective products such as tub liners*.**
- 4. Install styling bar onto Sportlid.**
- 5. Install the Sportlid Fitting Kit.**
- 6. Install the Sportlid.**
- 7. Install any additional accessories such as roof racks.**

**Sportlid is compatible with under rail and Sport Guard style tub liners. Some trimming may be required.*

OEM liner compatibility cannot be guaranteed. Please contact your dealer for more information.

- Read through the fitting instructions before installation of accessory.
- Always install the accessory following the fitting instructions. Failure to do so may cause damage to the vehicle or the accessory and void the warranty.
- Ensure all recyclable discarded vehicle/accessory components and packaging are disposed following local recycling regulations.
- It is always recommended that this accessory is fitted by a qualified Technician.
- Safely store and protect any removed vehicle components.
- Ensure all bare metal surfaces are protected using Automotive Bare Metal Primer and touch-up paint.
- Remove all metal swarf and dust from all vehicle surfaces if surface is used for accessory installation.
- Ensure all fasteners are torqued to the specifications as per instruction.
- Apply any adhesives to the vehicle only when the surface temperature is between 20°C to 40°C.
- Recommended all smooth lids are painted. Failure to paint lid will void the warranty.

Vehicle Tub Sealing Kit for VW Amarok

Part # SLVS08 / 10055899

READ INSTRUCTIONS CAREFULLY BEFORE COMMENCING THIS ACTIVITY.

General Vehicle and Accessory Warranty Notes and Cautions

- For correct installation and proper operation of the vehicle and accessory we recommend this accessory is fitted by a qualified Technician.
- During the accessory fitment ensure all automotive safety practices and regulations are followed.
- Do not modify the vehicle in any way other than specified in these Accessory Fitting Instructions as this may void the warranty.

Safety Notes

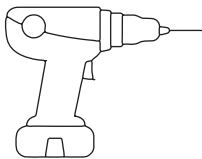
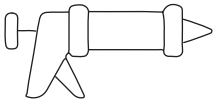
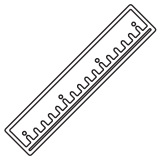
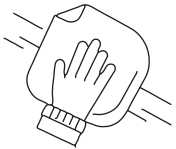

- Check that all work practises comply with safety standards.
- It is advisable to seek assistance from another person when lifting heavy components.
- While using power tools ensure safe procedures are followed.
- Appropriate clothing & PPE must be worn.



Vehicle Tub Sealing Kit for VW Amarok

Part # SLVS08 / 10055899

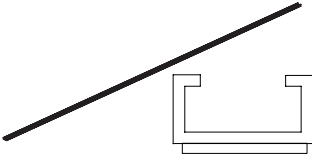

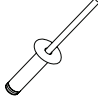




READ INSTRUCTIONS CAREFULLY BEFORE COMMENCING THIS ACTIVITY.

Tools Required					
No.	Description	Image	No.	Description	Image
1	Power drill & 5mm drill bit		2	Clear non-acetic silicone	
3	Metric ruler		4	Cleaning rags	
5	Rivet Gun		6		

Vehicle Tub Sealing Kit for VW Amarok

Part # SLVS08 / 10055899

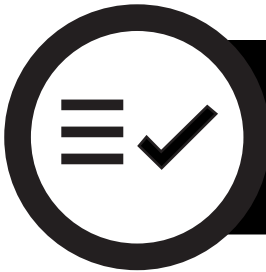
READ INSTRUCTIONS CAREFULLY BEFORE COMMENCING THIS ACTIVITY.

Kit Contents- Hardware				
No.	Item Description	Quantity	Image	Part Number
1	VW Sealing Channel (1582mm)	1		10055908
2	Foam tub sealing block	1 set		10055098
3	Pop rivets 4X18MM	4		10053982
4	3M Surface Primer	2		10051996
5	Alcohol wipes	2		10051664
6	50X35mm Vinyl sticker	2		10000092
7	BLANKING PLUG BLACK 12.7MM	1		10056375

Vehicle Tub Sealing Kit for VW Amarok

Part # SLVS08 / 10055899

READ INSTRUCTIONS CAREFULLY BEFORE COMMENCING THIS ACTIVITY.



Check that the contents of the Fitting Kit are complete and undamaged.



If any contents of the Fitting Kit are found incomplete or damaged they must be replaced using the specified accessory components.

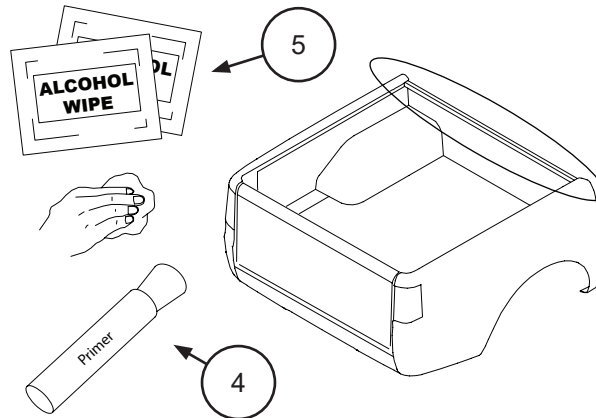
Vehicle Tub Sealing Kit for VW Amarok

Part # SLVS08 / 10055899

READ INSTRUCTIONS CAREFULLY BEFORE COMMENCING THIS ACTIVITY.

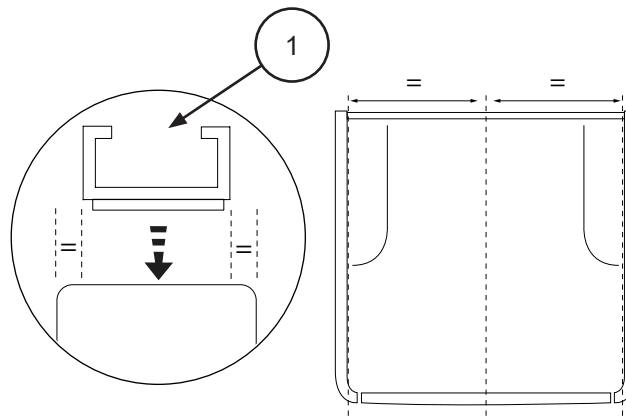
Step 1

- Thoroughly clean the front rail surface using alcohol (5).
- Prepare surface with primer (4).



Step 2

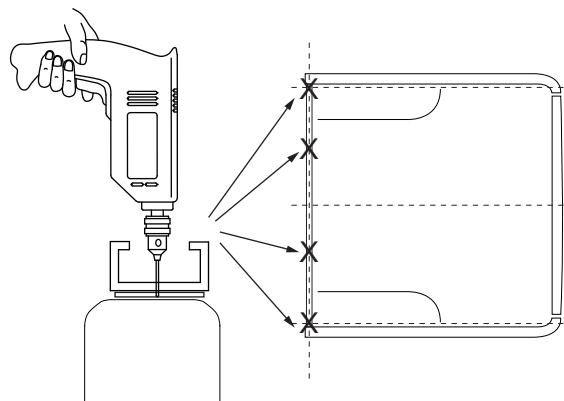
- Align the sealing channel (1) centrally along the front rail.
- Install the sealing channel (1).
- Apply downward pressure along the length of the sealing channel.



Step 3

!!! OPTIONAL !!!
Drilling into the panel work of certain vehicles may void vehicle panel warranty.

- Drill & rivet (3) item (1) into position.



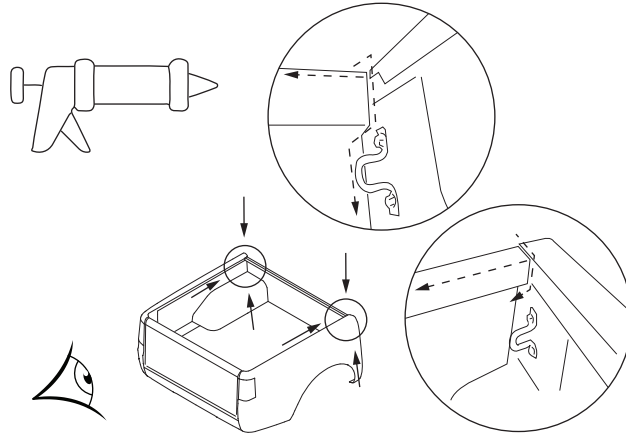
Vehicle Tub Sealing Kit for VW Amarok

Part # SLVS08 / 10055899

READ INSTRUCTIONS CAREFULLY BEFORE COMMENCING THIS ACTIVITY.

Step 4

- Carefully examine the front corners of the vehicle deck. Take note of any gaps or voids where water ingress may occur.
- Using non-acetic silicone seal gaps & voids.
- Clean all surfaces of unwanted silicone.

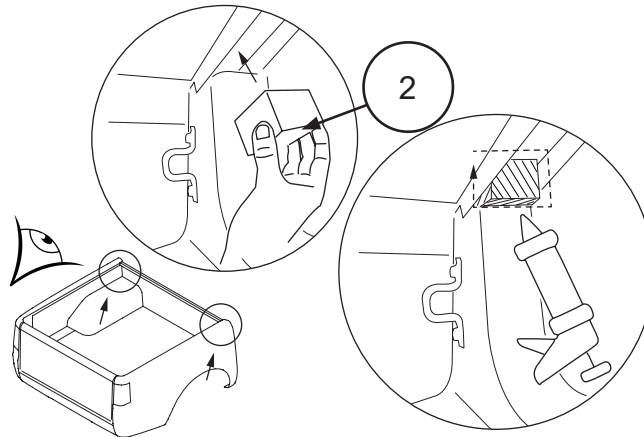


Step 5

- Install under rail foam sealing blocks (2)
- Once blocks are firmly seated, seal around the edges using generous amounts of non-acetic silicone.

NOTE 1: If installing premium version ensure wiring loom has been installed before undertaking this step. Cut a slot into the foam block to allow the wiring loom to pass through. Seal around cut and wiring loom with silicone.

NOTE 2: If a tub liner is installed it is recommended removing it before commencing this step.



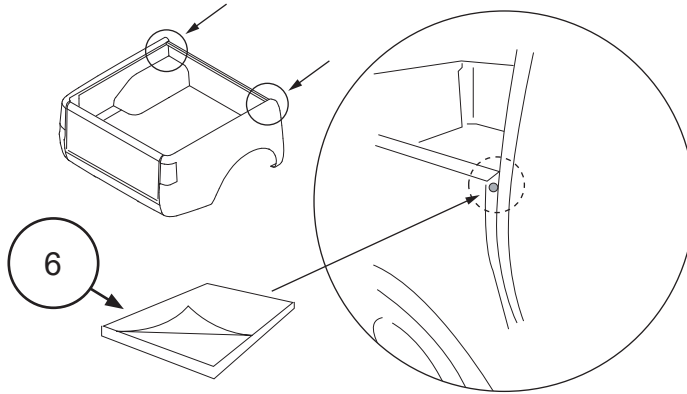
Vehicle Tub Sealing Kit for VW Amarok

Part # SLVS08 / 10055899

READ INSTRUCTIONS CAREFULLY BEFORE COMMENCING THIS ACTIVITY.

Step 6

- Using item (6) cover the hole in the front corner of the vehicle. Repeat for opposite side.
- If the tub liner was removed reinstall the tub liner.



Step 7

- Some vehicle models released in November 2016 will have a sports bar fitted. To remove the sports bar follow the following steps
- Peel the rubber grommet out the sports bar



Step 8

- Pull the loom out of the sports bar and unplug it



Vehicle Tub Sealing Kit for VW Amarok

Part # SLVS08 / 10055899

READ INSTRUCTIONS CAREFULLY BEFORE COMMENCING THIS ACTIVITY.

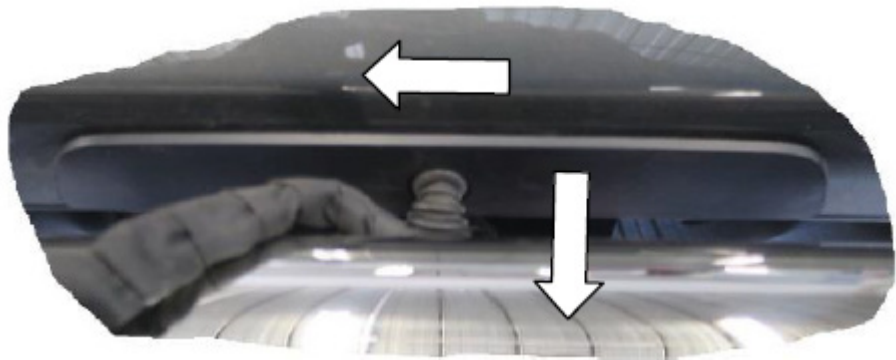
Step 9

- The sports bar can now be unbolted and removed.



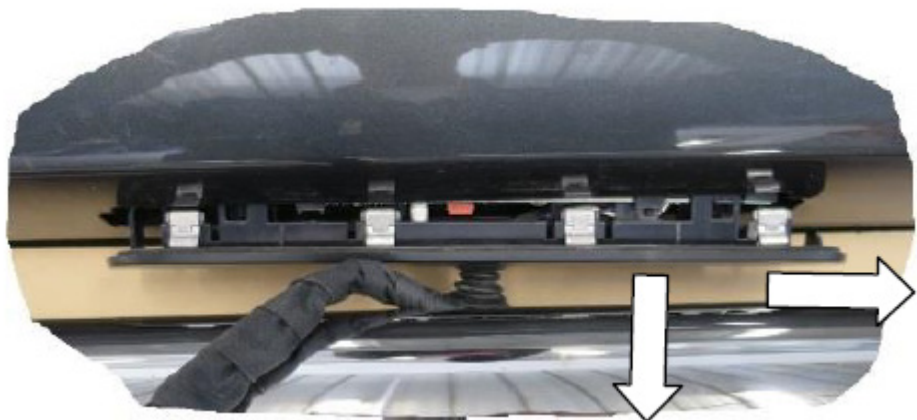
Step 10

- Push cover in and to the LEFT, until it moves at least 10mm to release the clip on the right.



Step 11

- Pull cover backwards and to the right.



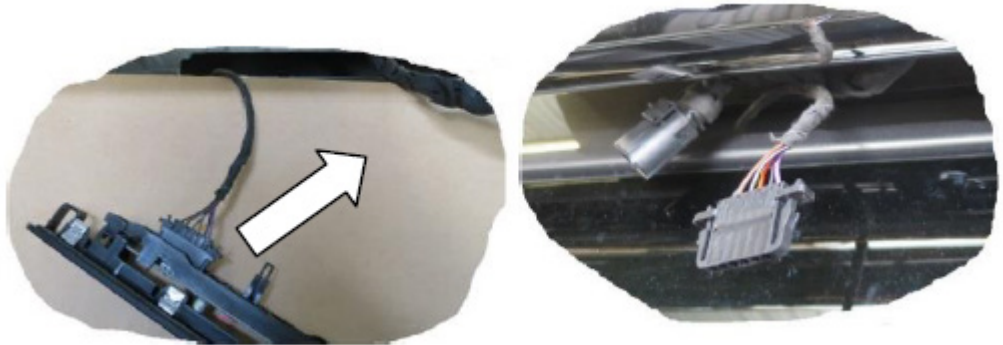
Vehicle Tub Sealing Kit for VW Amarok

Part # SLVS08 / 10055899

READ INSTRUCTIONS CAREFULLY BEFORE COMMENCING THIS ACTIVITY.

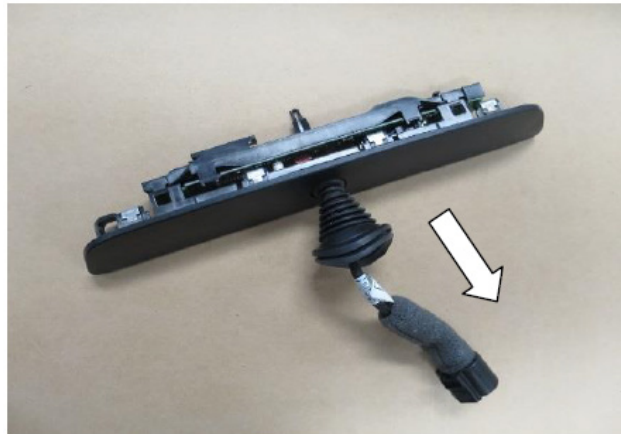
Step 12

- Unplug vehicle stoplight loom



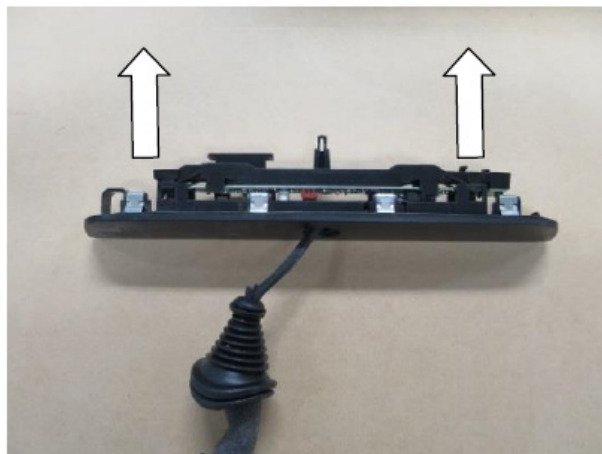
Step 13

- Remove rubber seal



Step 14

- Unclip circuit board 4 places.



Vehicle Tub Sealing Kit for VW Amarok

Part # SLVS08 / 10055899

READ INSTRUCTIONS CAREFULLY BEFORE COMMENCING THIS ACTIVITY.

Step 15

- Unclip loom from the circuit board. Unclip loom from the circuit board.



Step 16

- Remove loom through the hole in the cover.



Step 17

- Push in the blanking plug (7) from the outside of the cover until it is fitted down flush.



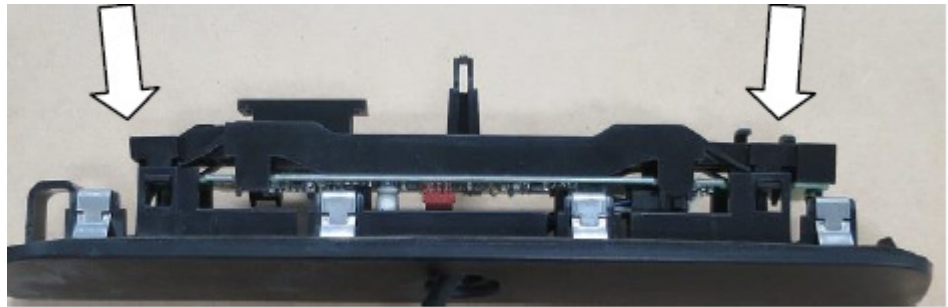
Vehicle Tub Sealing Kit for VW Amarok

Part # SLVS08 / 10055899

READ INSTRUCTIONS CAREFULLY BEFORE COMMENCING THIS ACTIVITY.

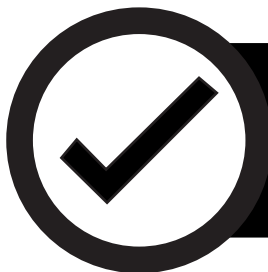
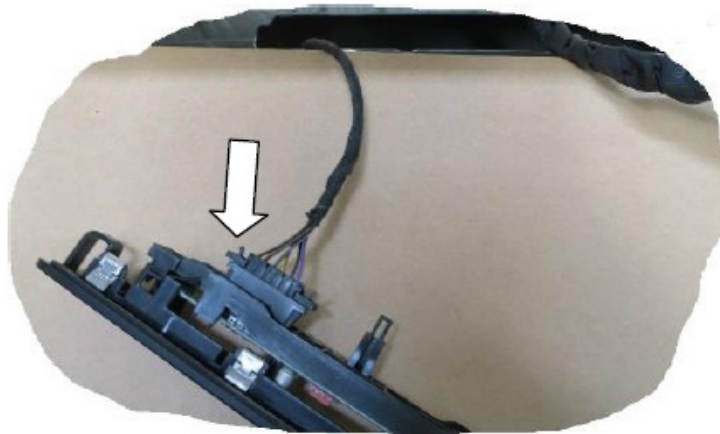
Step 18

- Refit the circuit board to the cover



Step 19

- Refit the loom from the vehicle's cabin to the cover circuit board.
- Reinstall the cover to the vehicle following the reverse of the steps above to clip it back in.



Installation complete. Please place these fitting instructions inside the owners manual wallet.