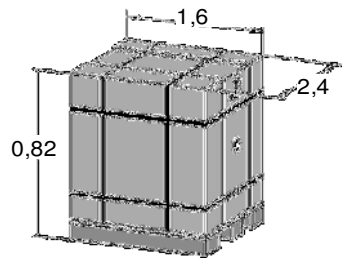
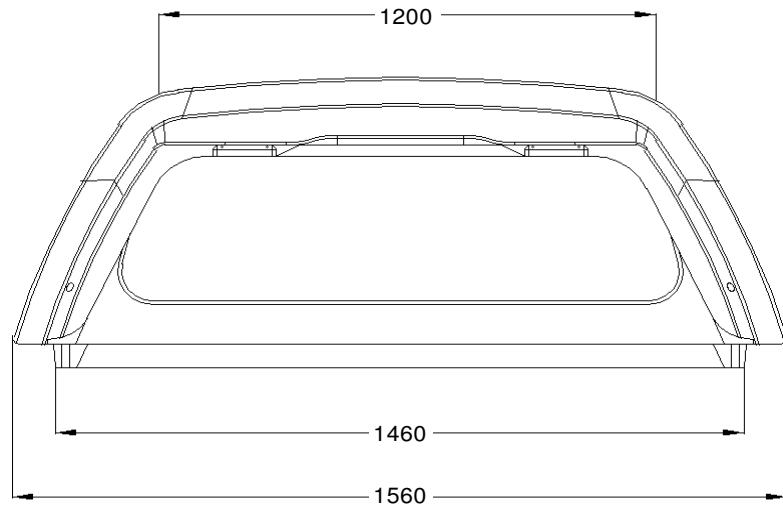
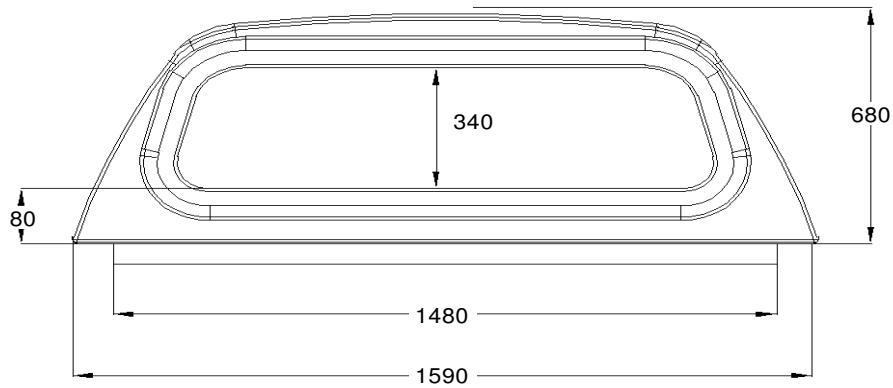


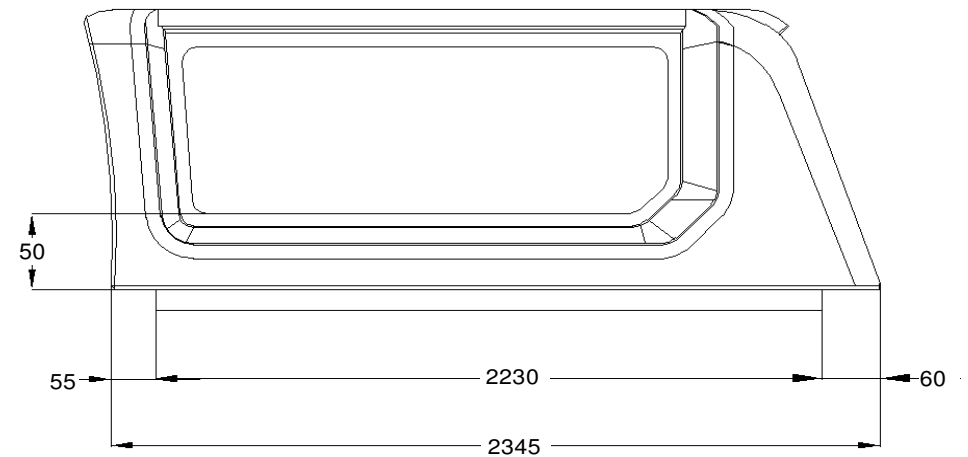
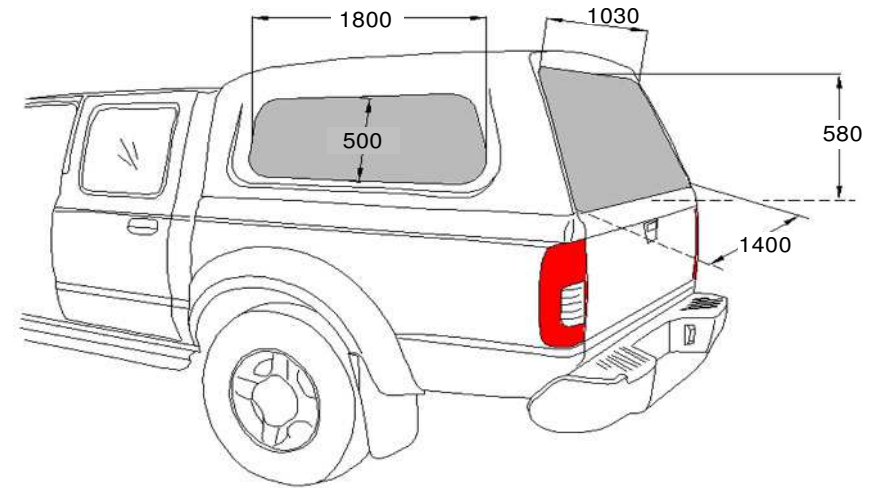
Net weight: 55,00 kg  
 Gross weight: 115,00 kg  
 Volume: 0 m<sup>3</sup>



7 X 40 X 10000 A/60/PT3 PE-L - 0,6 szt



Net weight: 70,00 kg  
 Gross weight: 130,00 kg  
 Volume: 0 m<sup>3</sup>



7 X 40 X 10000 A/60/PT3 PE-L - 0,6 szt