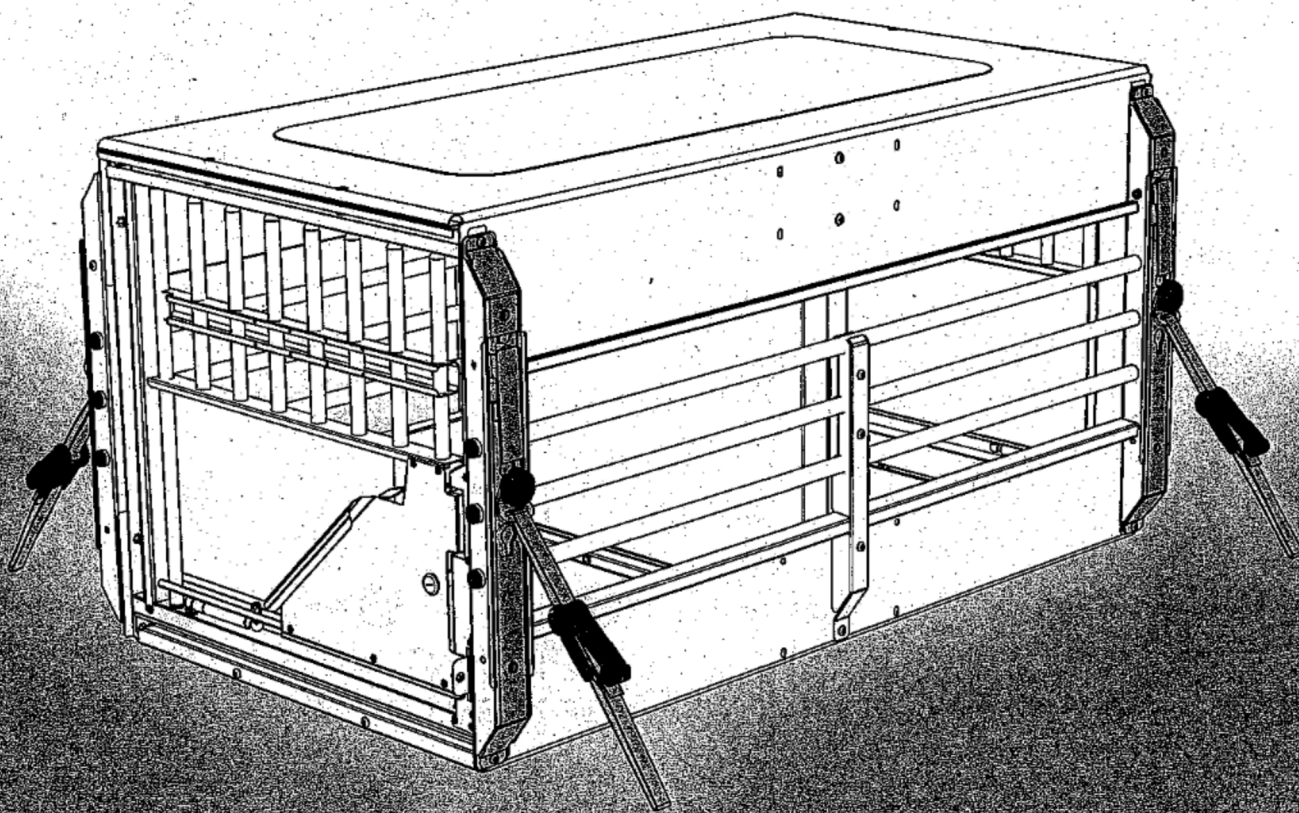


# mimSAFE

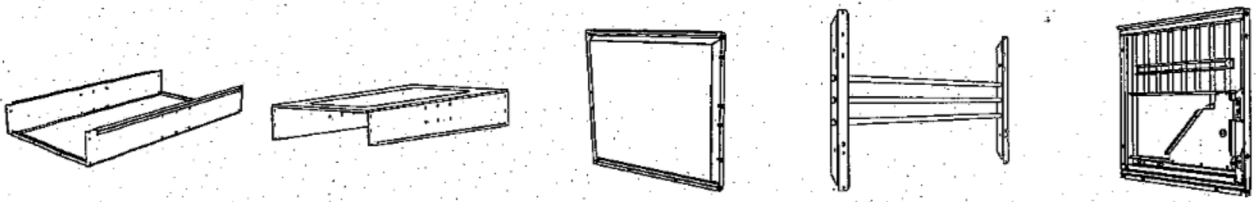
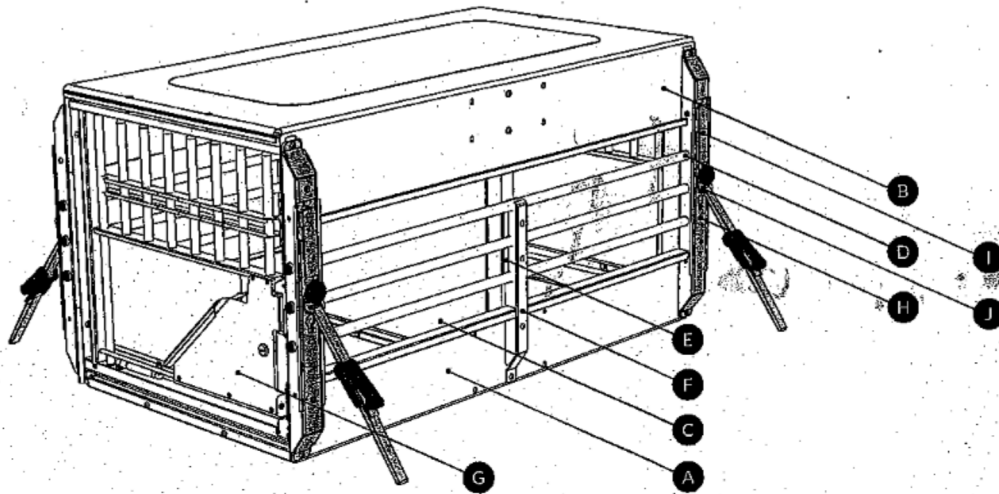
[www.mimsafe.se](http://www.mimsafe.se)



ASSEMBLY INSTRUCTIONS

## MULTICAGE

double large



**A** Floor

6260A	1X
Product no	No of items

**B** Roof

6260E	1X
Product no	No of items

**C** Divider panel

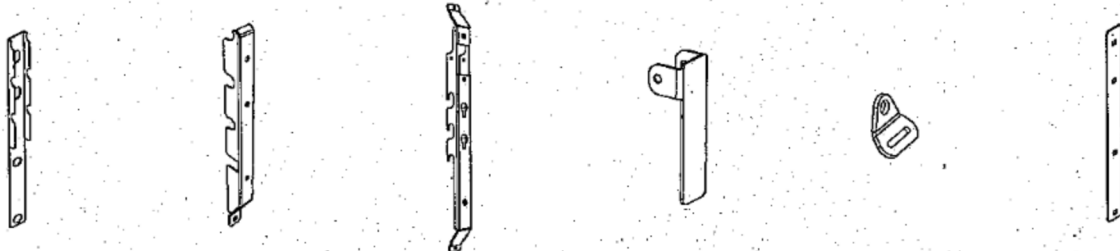
6260J	1X
Product no	No of items

**D** Sidebars

6260C	2X
Product no	No of items

**G** Door section

6260I	2X
Product no	No of items



**E** Divider anchor

6260M	2X
Product no	No of items

**F** Divider anchor

6260S	2X
Product no	No of items

**H** Frame bar

6260N	4X
Product no	No of items

**I** Handle

6260P	4X
Product no	No of items

**J** Anchor

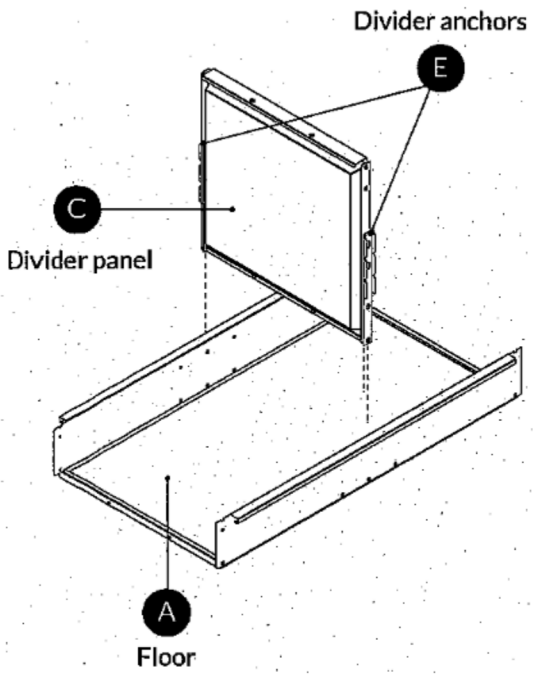
6260R	4X
Product no	No of items

**K** Locking plate

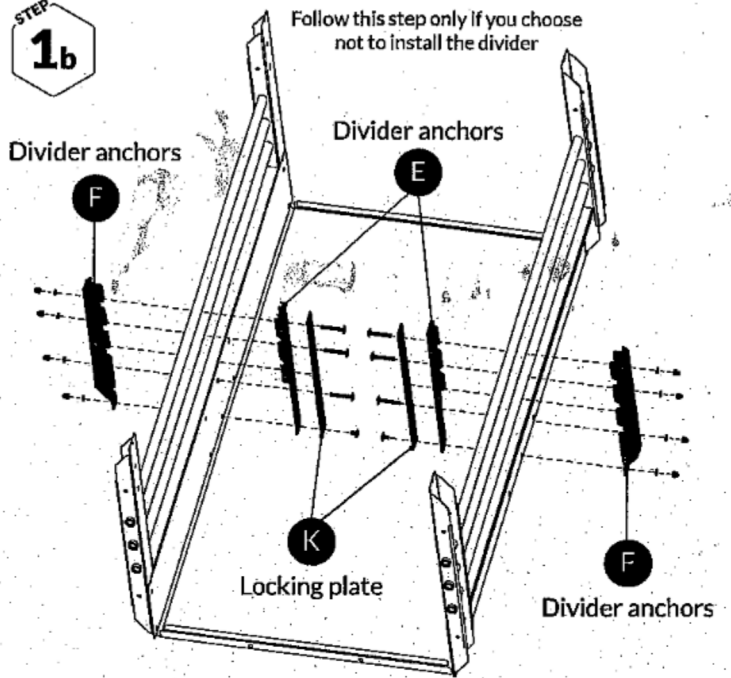
6260T	2X
Product no	No of items

ALLEN KEY 4 1X	IKP1915-175 12X plastic end caps	M-460641I 4X	M-BR8x19x1,5S 4X	M-VBM8x20588 4X	M-B1687-6SLD 2X	M-SFF206M622S 2X	M-VBM6x12FZB 2X	M-BR6,4x12x15 8X
Combination spanner 1X	M-10520 4X	M-SM6x14IA 30X	M-SM6x45-IK 6X	M-SM6x55-IK 4X	M-MM6Ny5 4X	M-460641D 4X rubber	M-VBM6x45FZB 6X	M-MM6MHM-6FZB 8X

**STEP 1a**

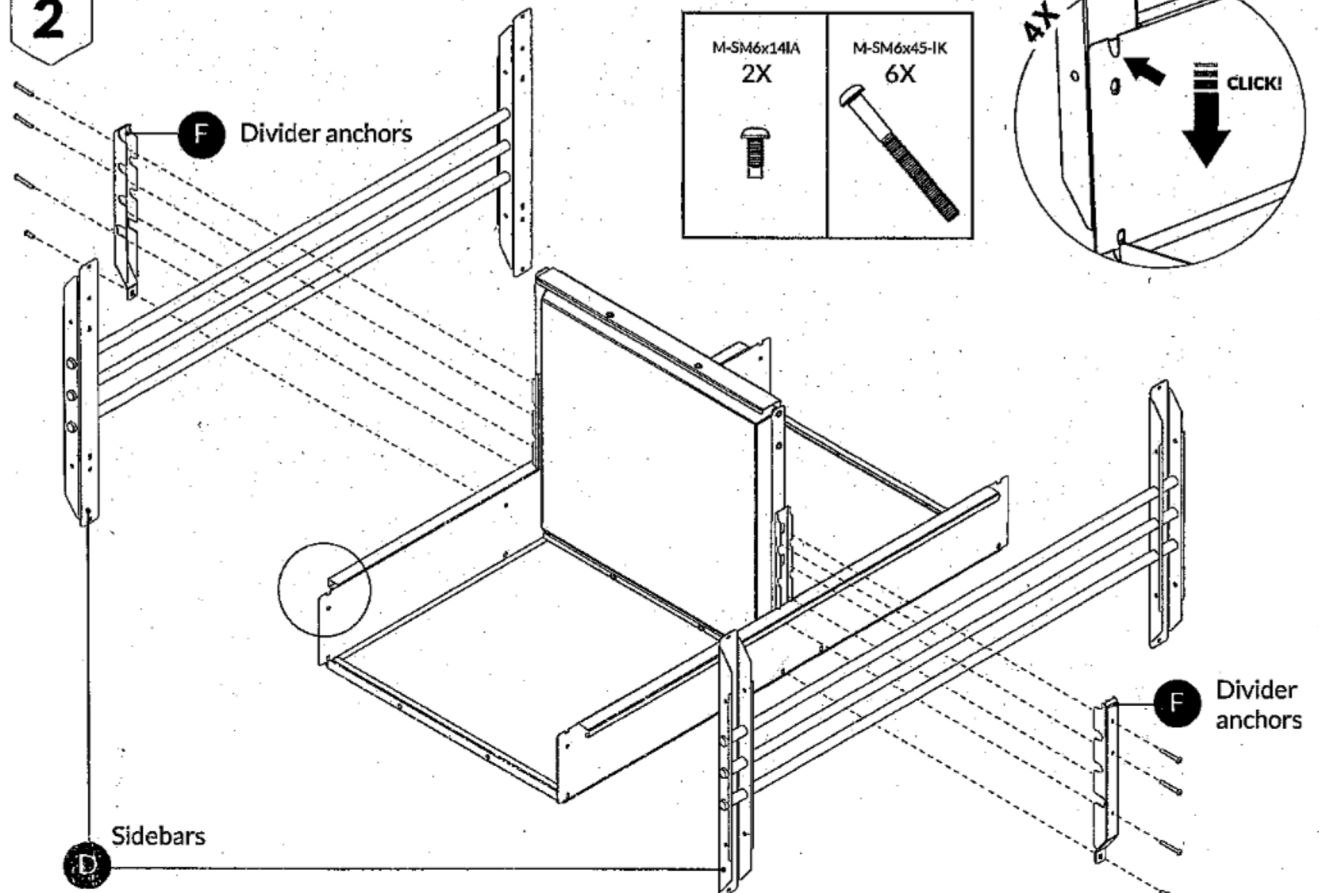


**STEP 1b**

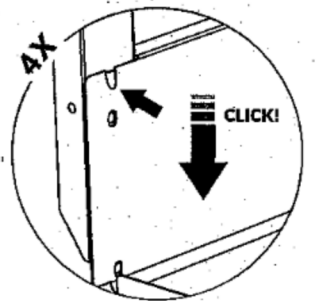


M-VBM6x45FZB 6X	M-VBM6x12FZB 2X	M-BR6,4x12x1S 8X	M-MM6MHM-6FZB 8X

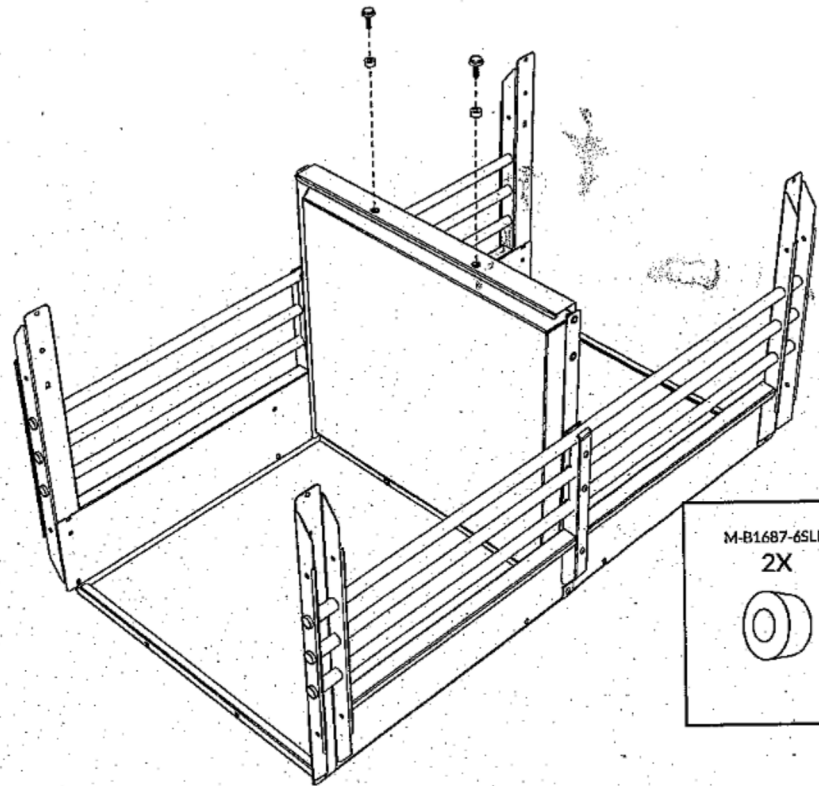
**STEP 2**





M-SM6x14IA 2X	M-SM6x45-1K 6X

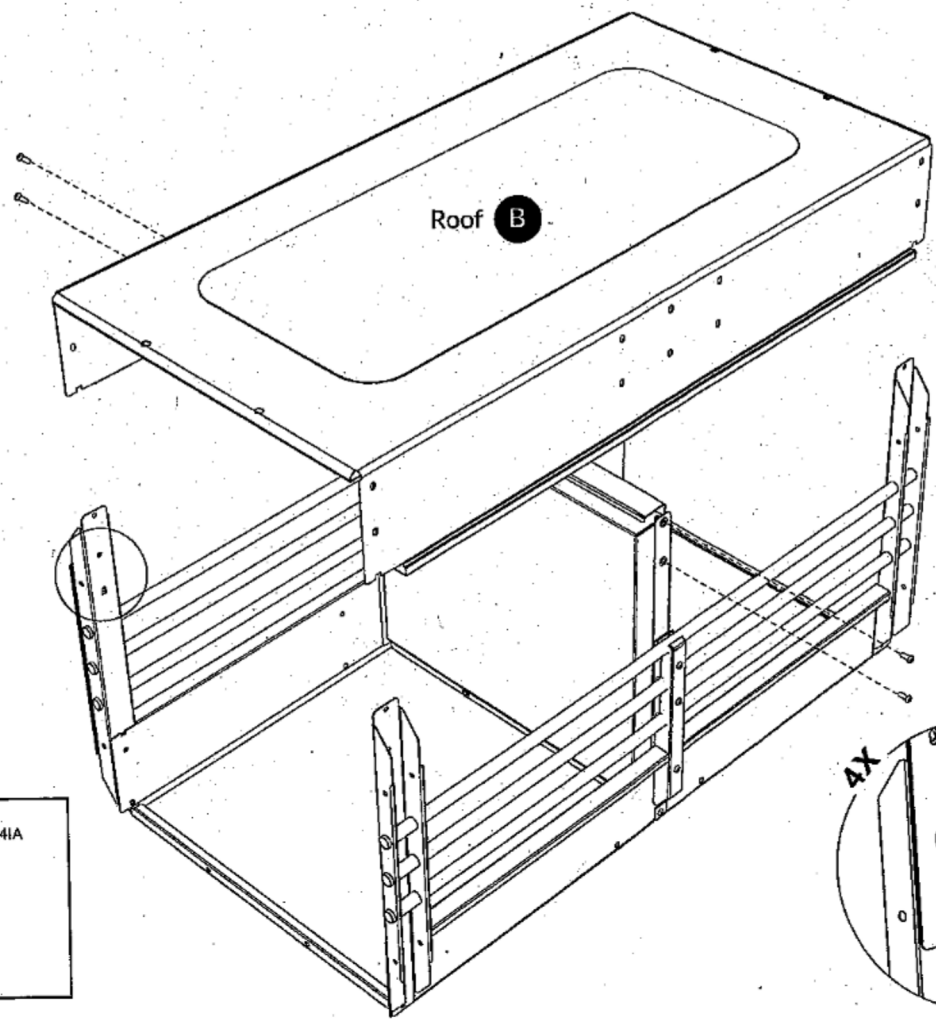


STEP  
**3**

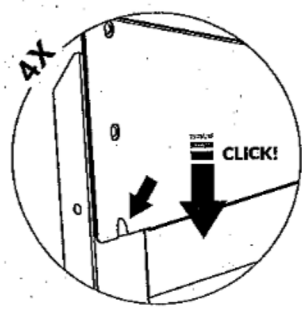


M-B1687-6SLD 2X 	M-SFF206M6225 2X 
---	--

STEP  
**4**



M-SM6x14IA 4X 
---

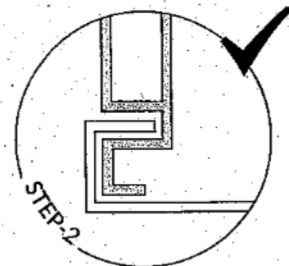
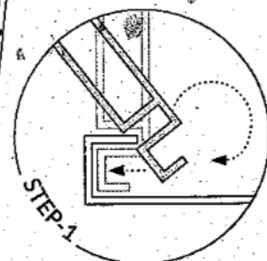
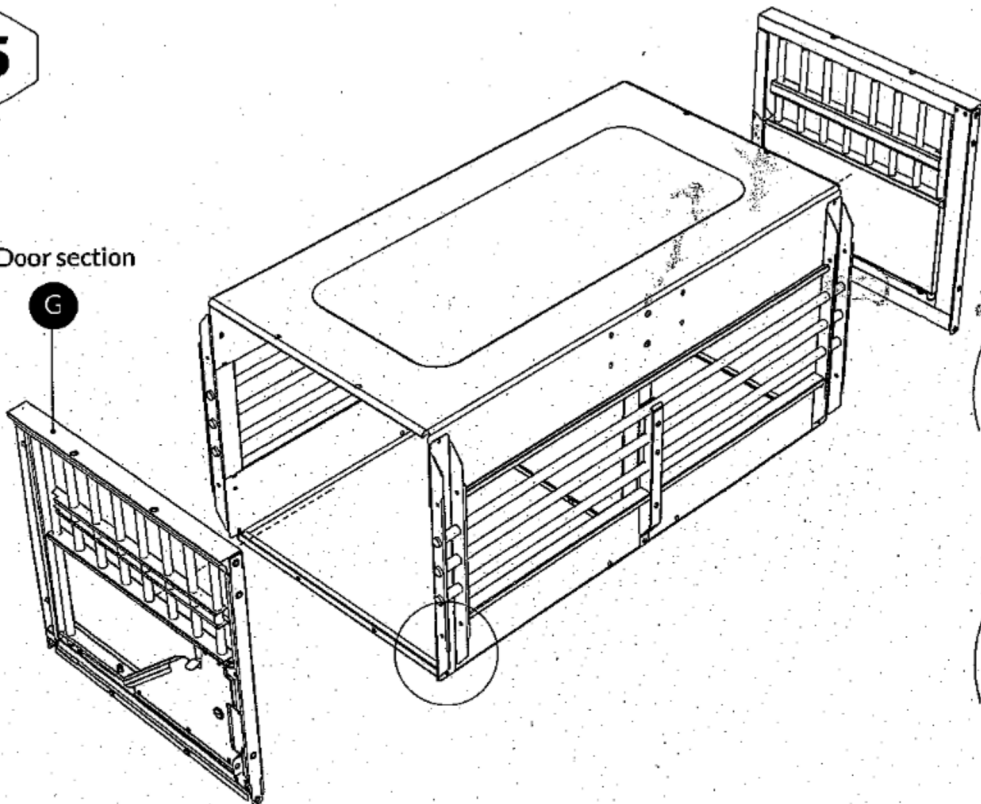




STEP  
**5**

Door section

**G**

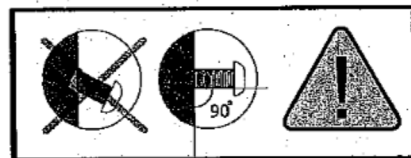
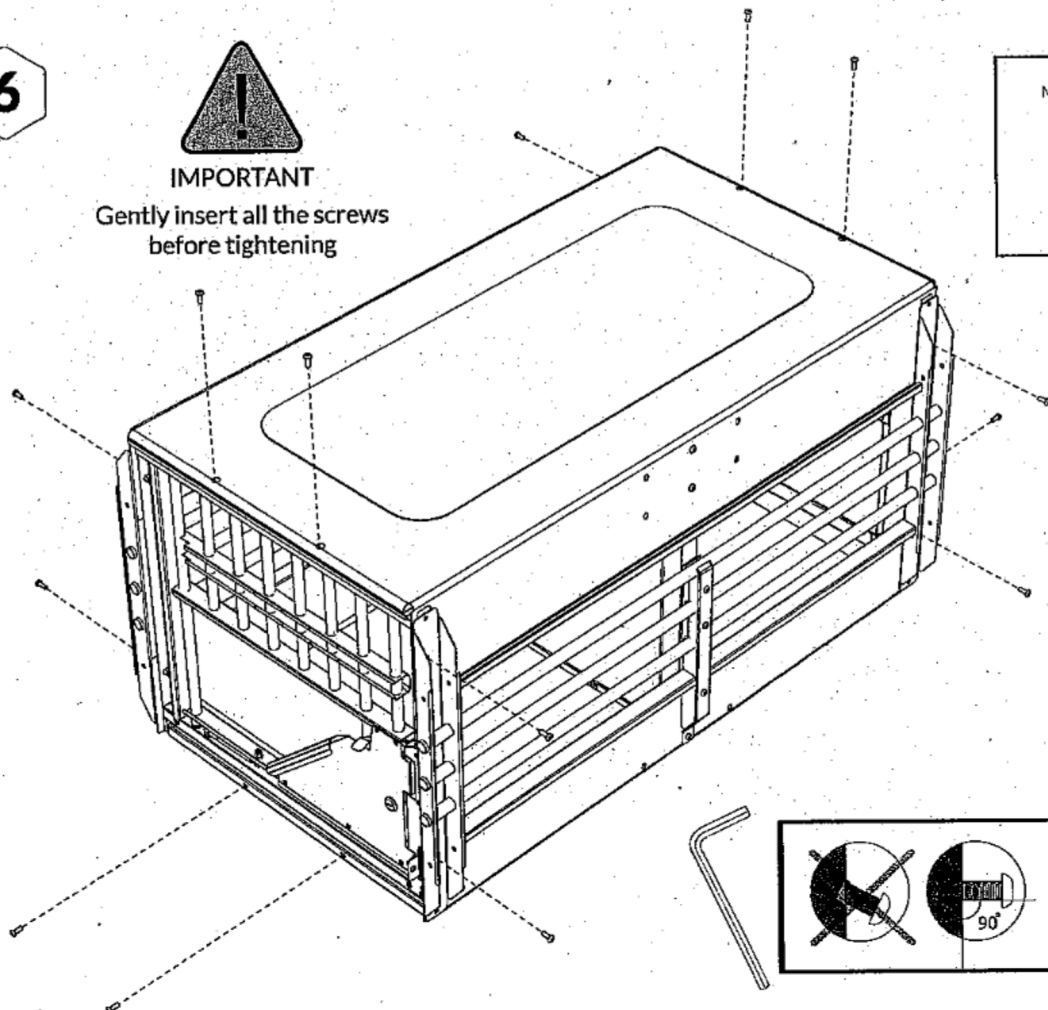


STEP  
**6**

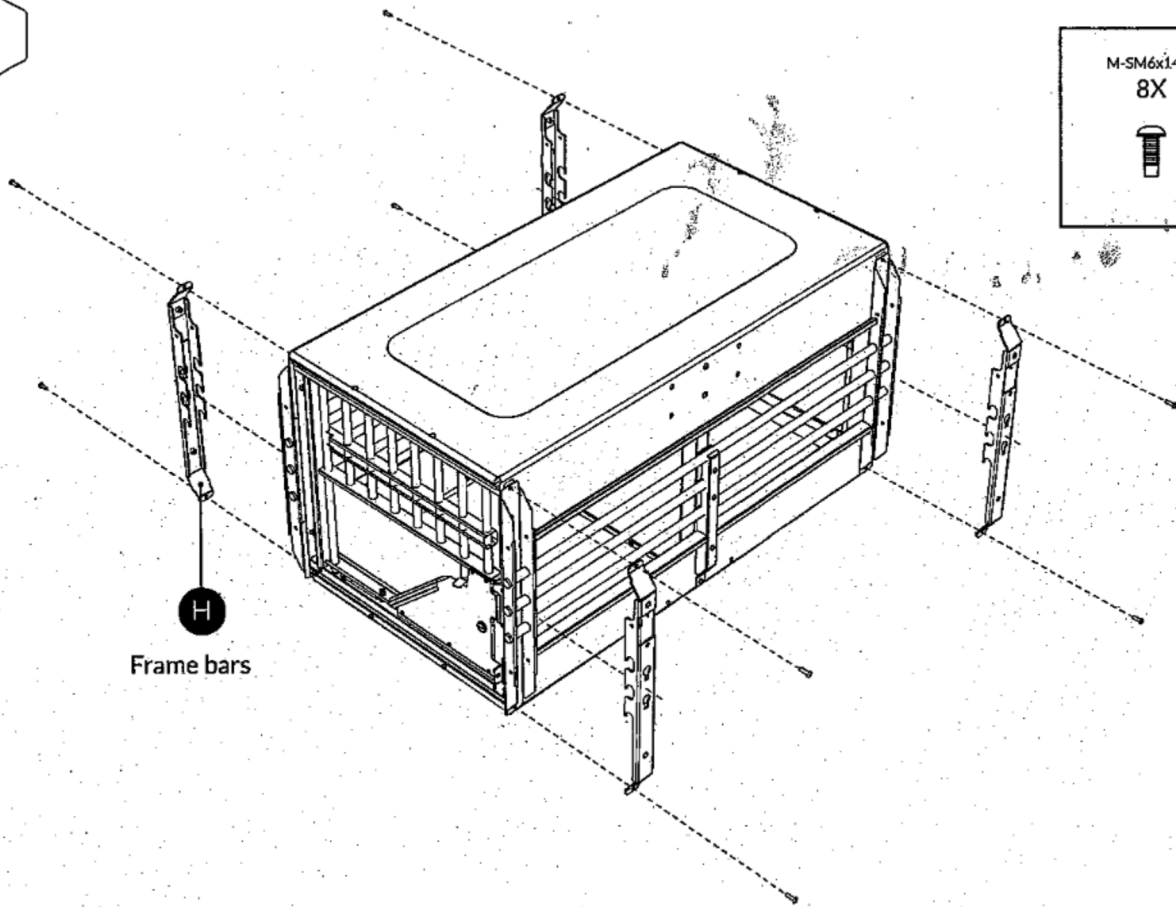


**IMPORTANT**

Gently insert all the screws  
before tightening

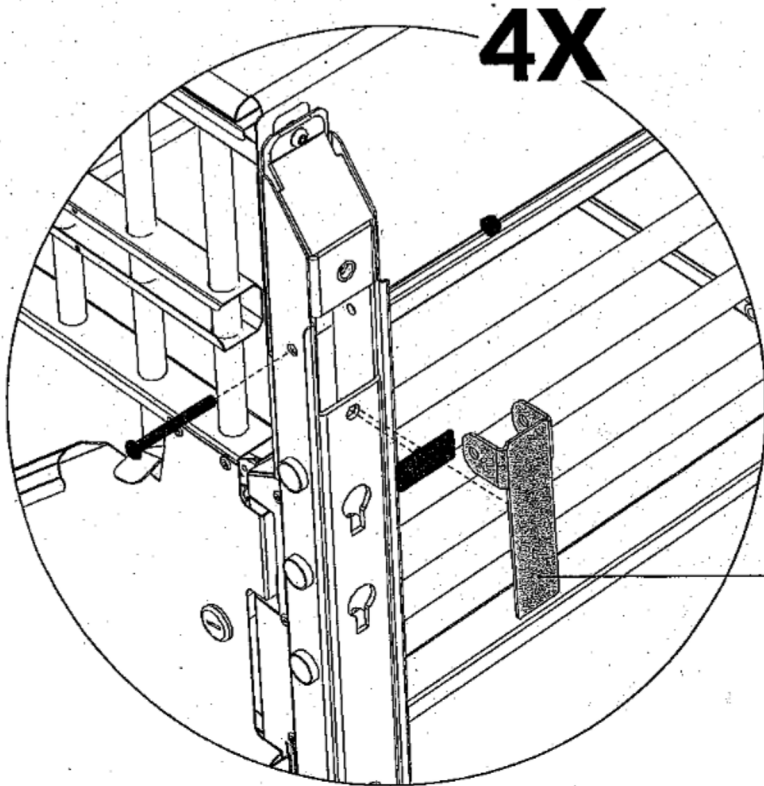


STEP  
**7**

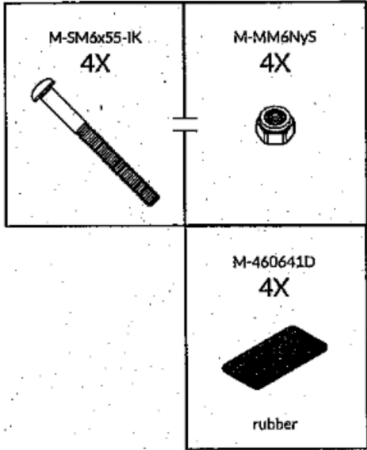


Frame bars

STEP  
**8**

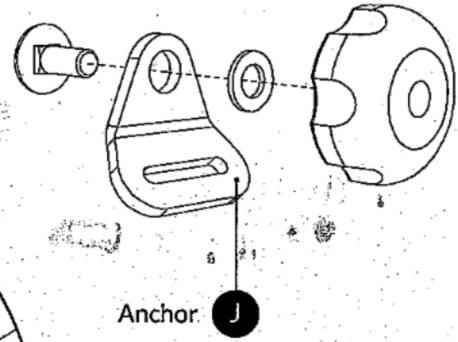
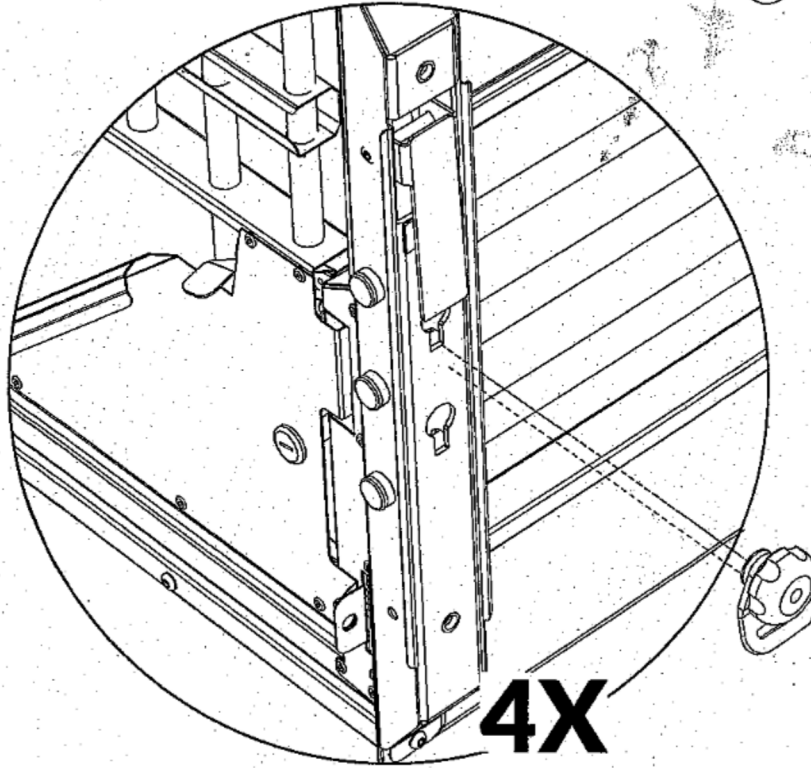


**4X**

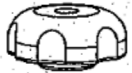




H Handle

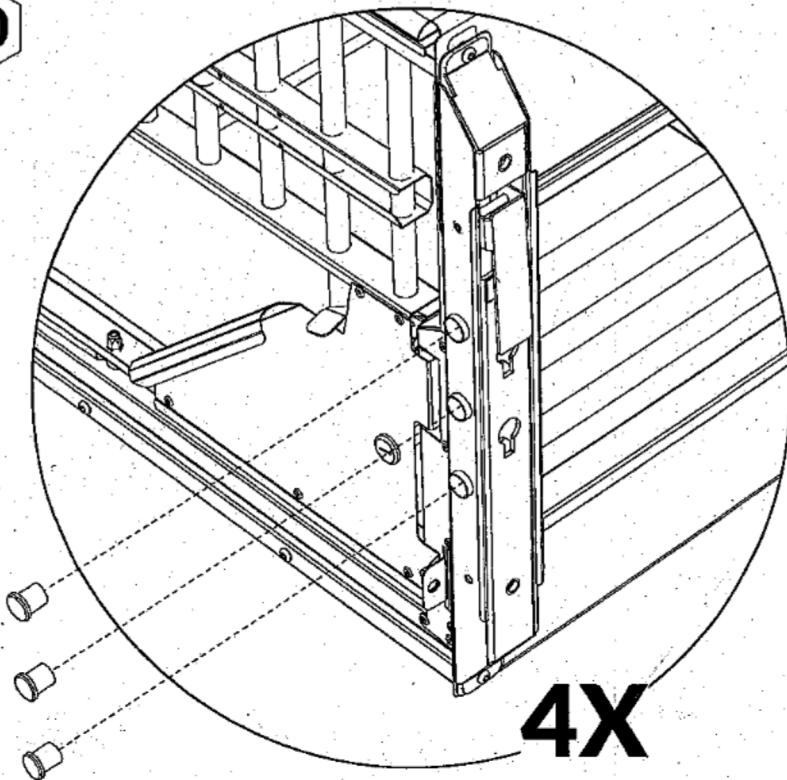
STEP  
**9**




Anchor **J**

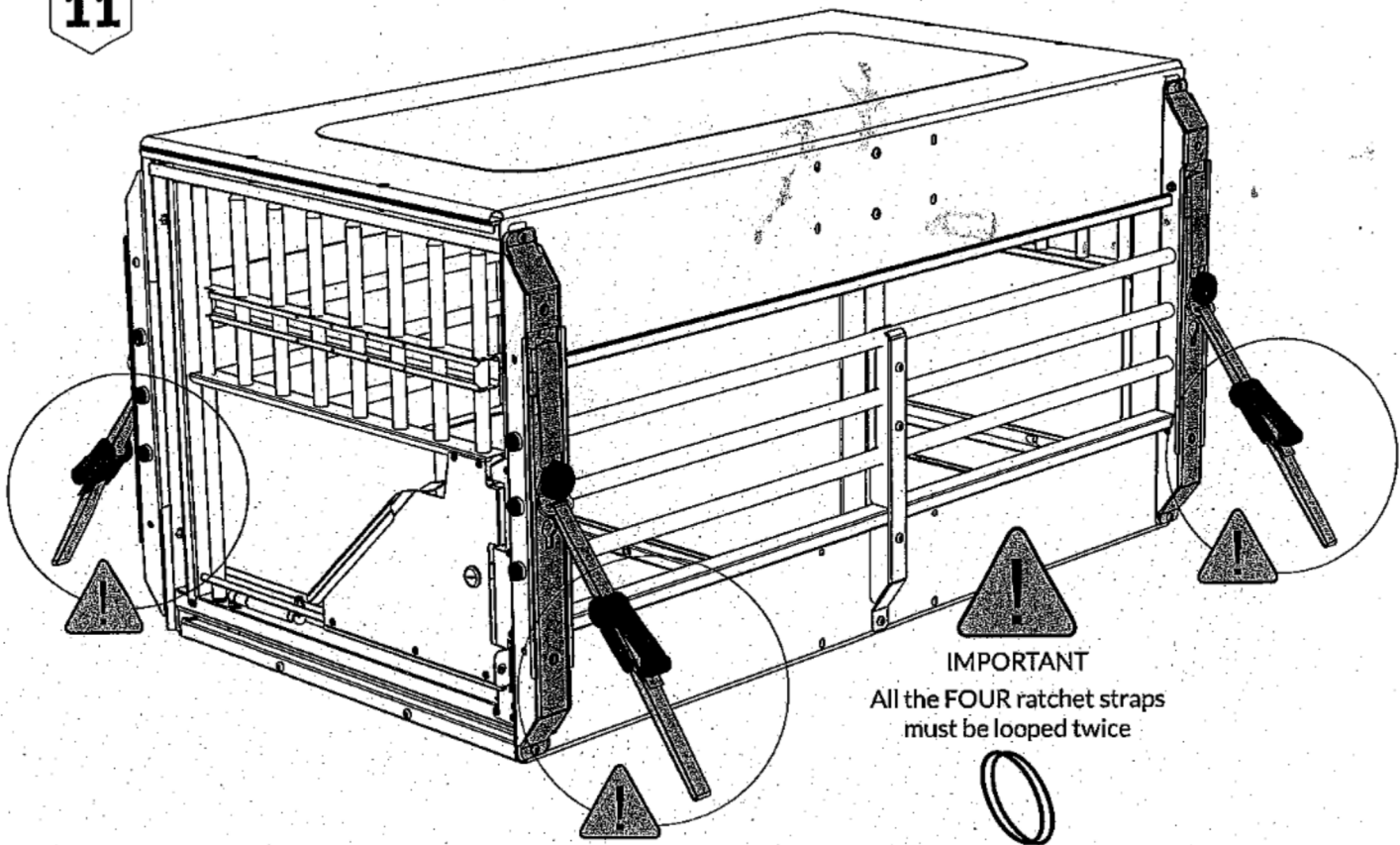
M-4606411 4X 	
M-BR0x19x1,55 4X 	M-VBM8x20588 4X 

STEP  
**10**

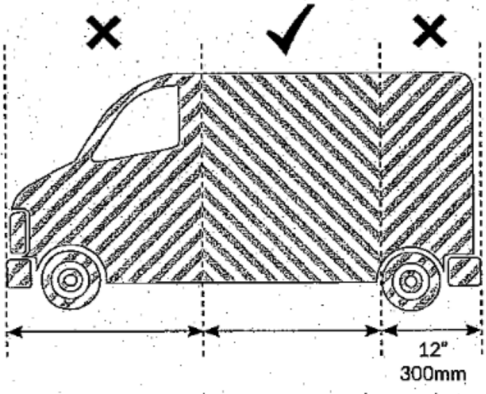


IKP1915-175 12X 
plastic end caps

STEP  
**11**



**IMPORTANT**  
All the **FOUR** ratchet straps  
must be looped twice



Where to place the MultiCage

