



Montageanleitung  
 Installation instructions  
 Instructions de montage  
 Instrucciones de montaje  
 Istruzioni di montaggio  
 Montage-aanwijzing  
 Monteringsanvisning  
 Instruções de montagem  
 Instrukcja montażu  
 Montážní návod  
 Инструкция по монтажу

Änderungen des Lieferumfanges vorbehalten.

Design and specifications subject to change without notice.

Sous réserve de modifications.

Se reservan las modificaciones del volumen del volumen de suministro.

Ci riserviamo il diritto di apportare modifiche al contenuto della fornitura.

Wijzigingen in leveringsomvang voorbehouden.

Ändringar av leveransomfattningen förbehålles.

Reservado o direito a alterações do material fornecido.

Zastrzegamy sobie prawo zmian zakresu dostawy.

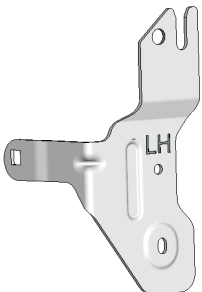
Změny rozsahu dodávky vyhrazeny.

Возможны изменения комплекта поставки.

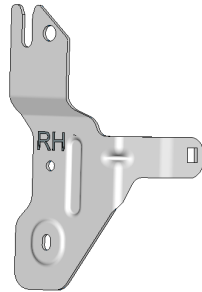
## VW Amarok Sport Bar - Lift Kit Part Number: ZGB2HJ071K01

### PARTS

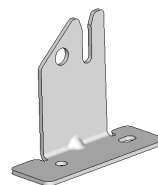
**1. Mounting Bracket  
 Front Inner LH x1**



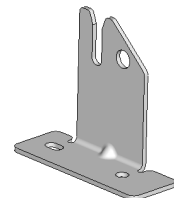
**2. Mounting Bracket  
 Front Inner RH x1**



**3. Mounting Bracket  
 Front Outer LH x1**



**4. Mounting Bracket  
 Front Outer RH x1**



**5. Foot Cup Front  
 LH x1**



**6. Foot Cup Front  
 RH x1**



**7. Foot Cup Rear  
 LH x1**



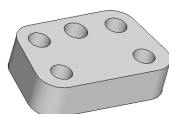
**8. Foot Cup Rear  
 RH x1**



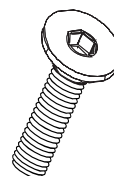
**9. Scrivet x2**



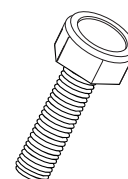
**10. Lower Plate x2**



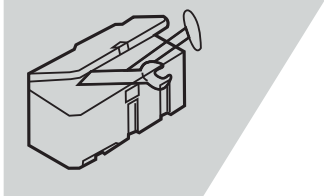
**11. Screw M8x55  
 Countersunk x6**



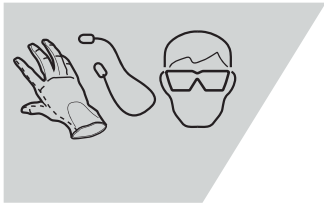
**12. Screw M8x60  
 Hex Head x4**



## TOOLS & EQUIPMENT

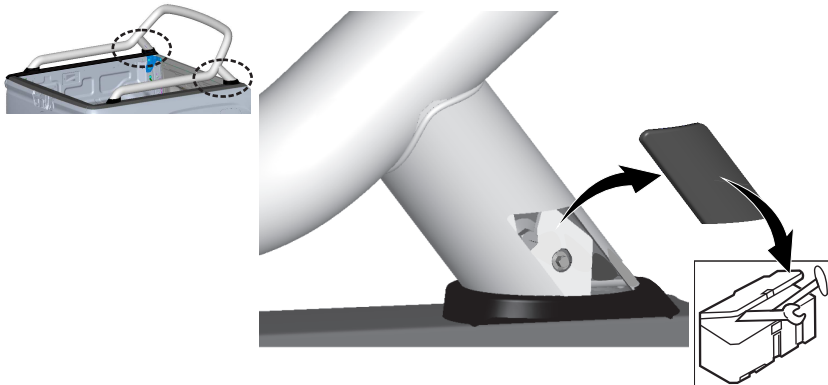


Torque Wrench  
Standard Allen Key 4mm  
Allen Key 4mm - compatible with Torque Wrench  
Socket 13mm - compatible with Torque Wrench



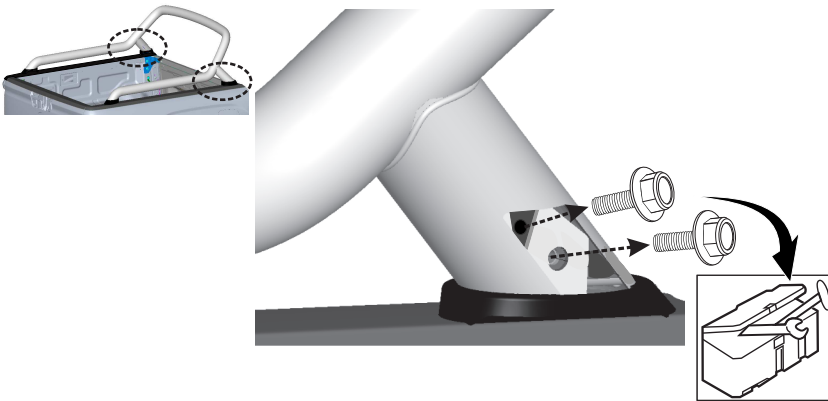
Personal Protective Equipment:  
Safety Glasses, Ear Plugs, Gloves

### Step 1



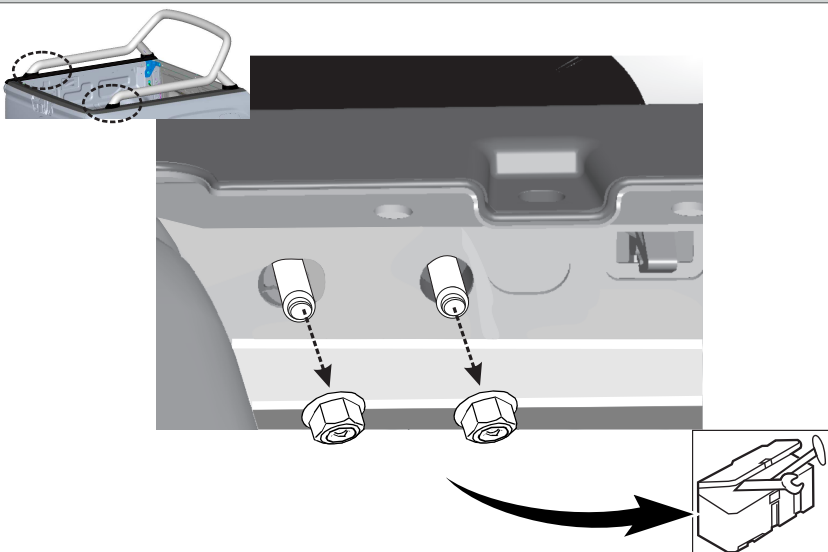
1. On Front Left Hand Side (LHS) and Right Hand Side (RHS) of Sport (Styling) Bar unclip and remove bracket cover.
2. Store bracket cover in a safe location for reinstallation later.

### Step 2



1. On Front LHS and RHS of Sport (Styling) Bar remove 2 x M8 bolts as shown.
2. Store bolts in a safe location for reinstallation later.

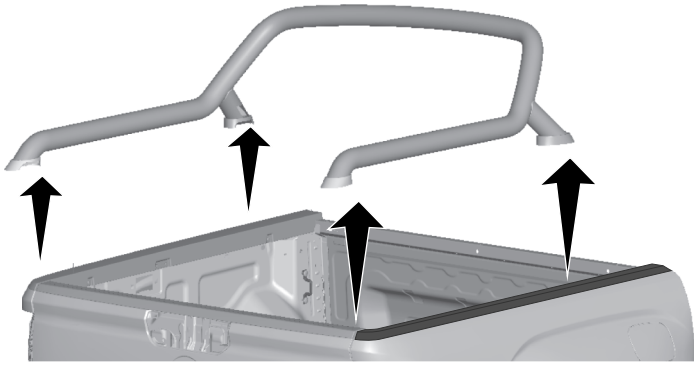
### Step 3



1. On rear LHS and RHS of the Sport Bar, from underneath, remove 2 x M8 nuts as shown.
2. Store M8 nuts in a safe location for reinstallation later.

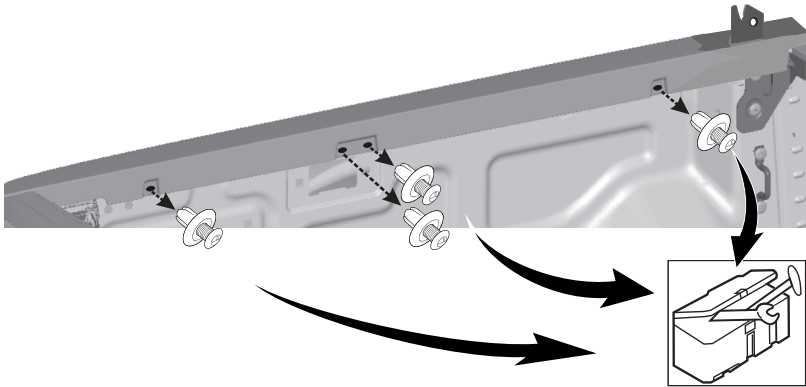
#### Step 4

1. Lift the sports bar of the cargo box.
2. Place sport bar in a safe area.
3. Place sport bar onto a protective surface.



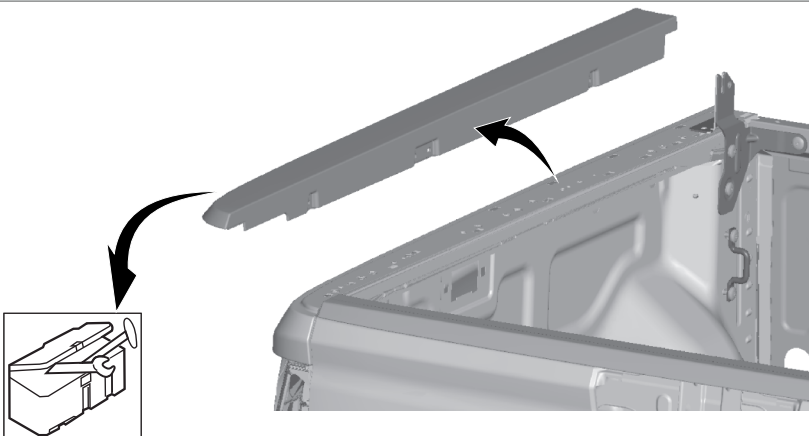
#### Step 5

1. On LHS and RHS bed rail covers remove scrivets as shown.
2. Store scrivets in a safe location for reinstallation later.



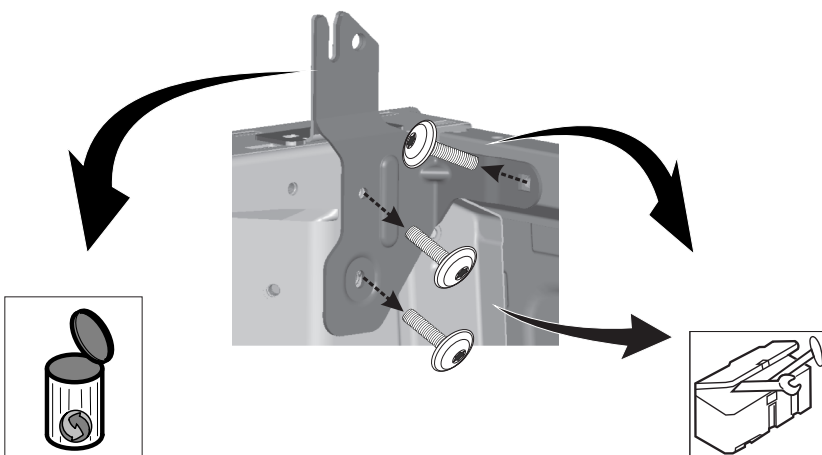
#### Step 6

1. On LHS and RHS unclip and remove bed rail covers.
2. Store bed rail covers in a safe location for reinstallation later.



#### Step 7

1. On LHS and RHS front, unbolt and remove 3 x M8 Torx Head bolts.
2. Store bolts in a safe location for reinstallation later.
3. On LHS and RHS front, remove inner front corner bracket.
4. Dispose of front corner brackets responsibly.



### Step 8

1. On LHS and RHS front, unbolt and remove 2 x M8x30 Torx Head bolts.
2. Store bolts in a safe location for reinstallation later.
3. On LHS and RHS front, remove outer front corner bracket.
4. Dispose of front corner brackets responsibly.

### Step 9

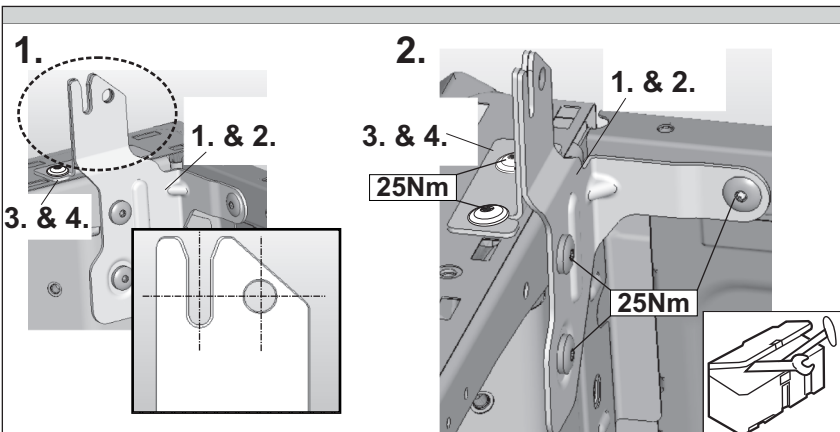
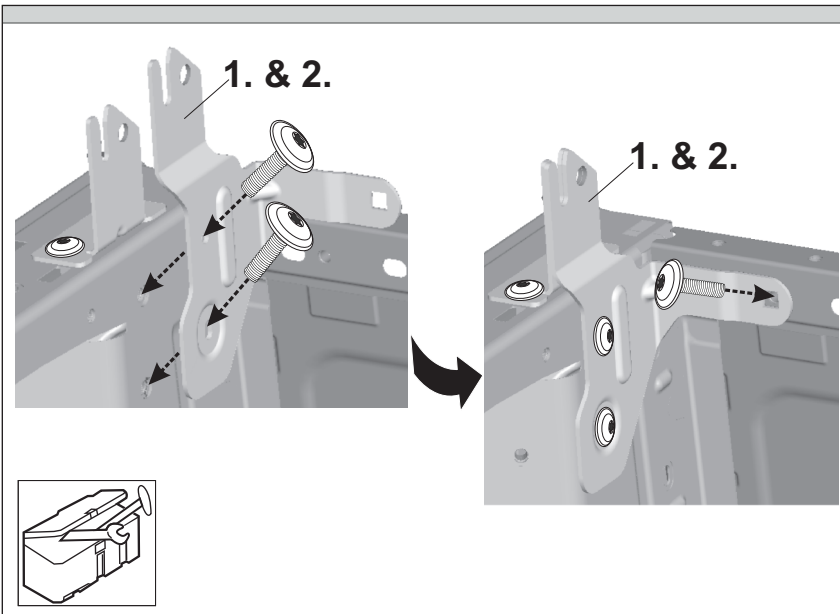
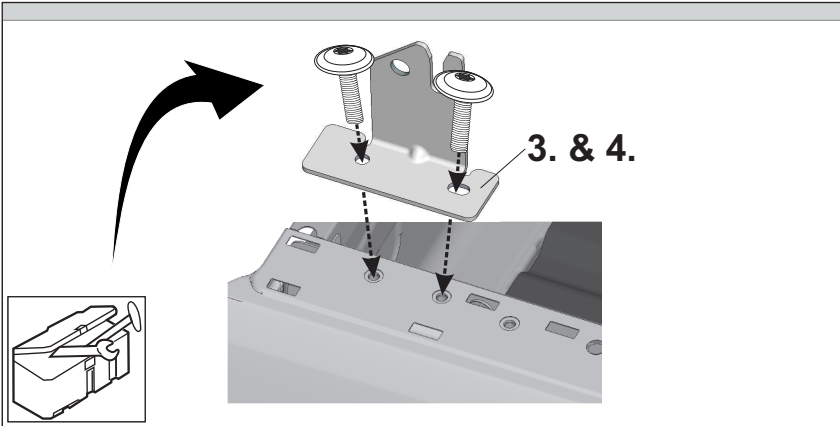
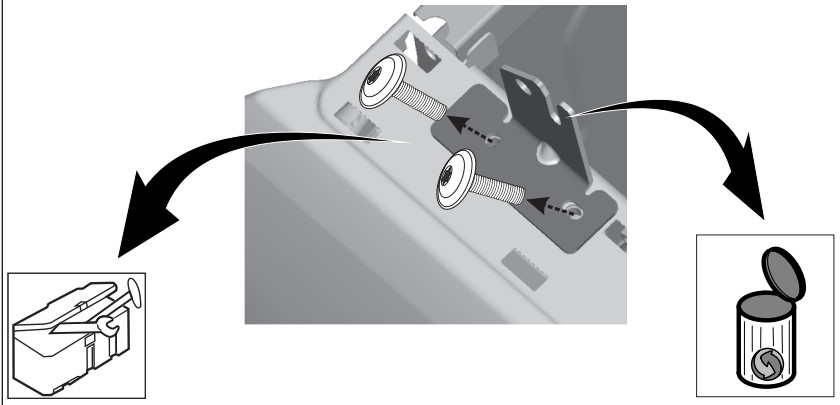
1. Re-using the previously removed M8x30 Torx Head Bolts, on LHS and RHS front, install Mounting Bracket Front Outer LH (3.) and Mounting Bracket Front Outer RH (4.)
2. Do not yet tighten bolts.

### Step 10

1. Re-using the previously removed M8x30 Torx Head Bolts, on LHS and RHS front, install Mounting Bracket Front Inner LH (1.) and Mounting Bracket Front Inner RH (2.)
2. Do not yet tighten bolts.

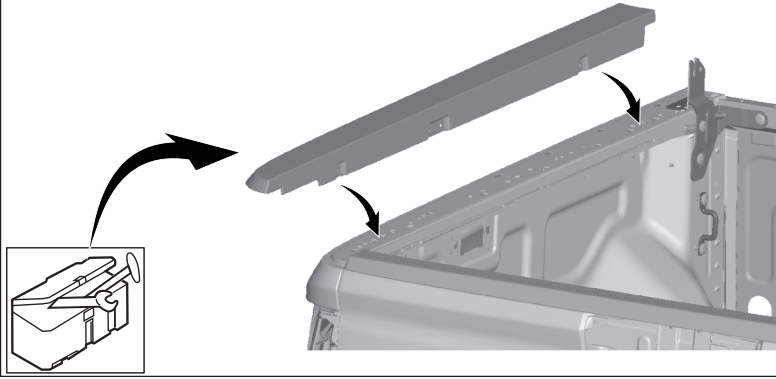
### Step 11

1. On LHS and RHS front, ensure that Mounting Brackets Front Inner (1 & 2) and Mounting Brackets Front Outer (3. & 4.) are aligned.
2. Tighten bolts M8x30 Torx Head to a torque of 25Nm.



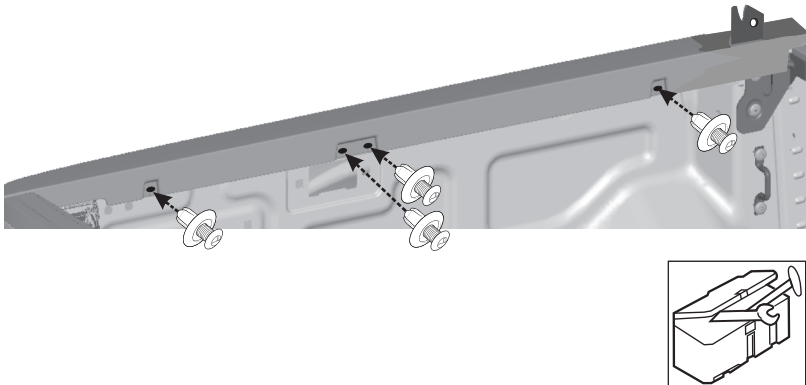
## Step 12

1. On LHS and RHS refit the previously removed bed rail covers.
2. Be careful not to break off any clips.



## Step 13

1. On LHS and RHS bed rail covers refit scrivets as shown.
2. Be careful not to damage the scrivets.



## Step 14

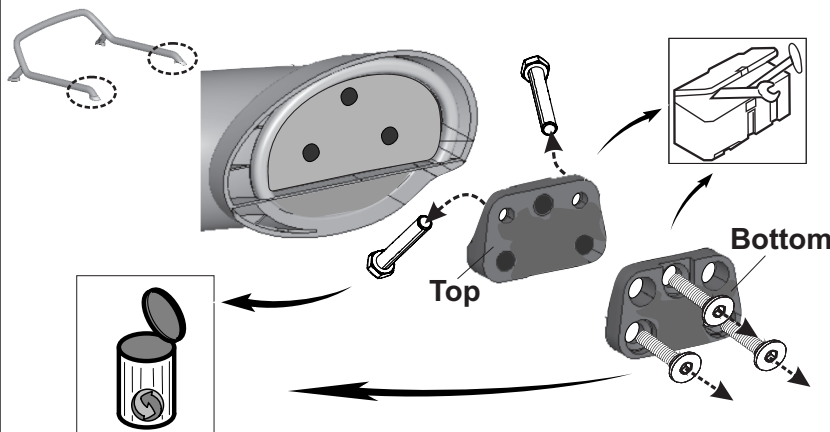
1. Assemble and install the EGR RollTrac.

**Note:** Please refer to VW Amarok RollTrac Fitting Instruction, which can be found at: <https://egrolltrac.co.uk>



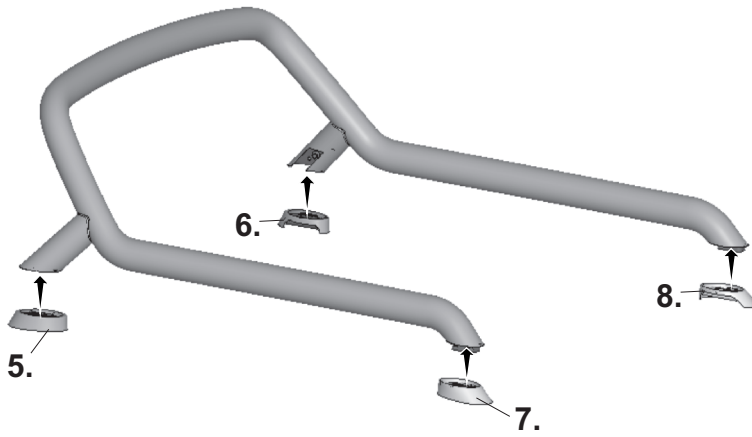
## Step 15

1. On LHS and RHS rear, of the previously removed sport bar unbolt M8 Countersunk bolts and dispose of bolts.
2. Remove M8 Hex Head bolts and dispose of those.
3. Dispose of bolts responsibly.
4. Retain Top Spacer Plates and Bottom Spacer Plates for reinstallation.



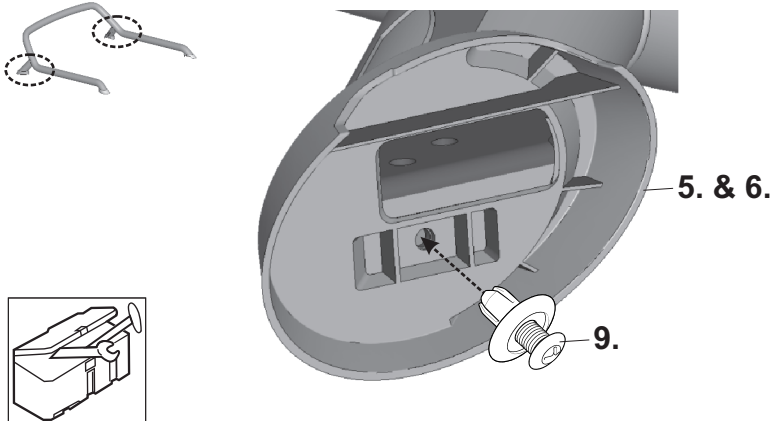
### Step 16

1. On LHS and RHS front and rear of the sport bar install new Foot Cups, 5., 6., 7. and 8.



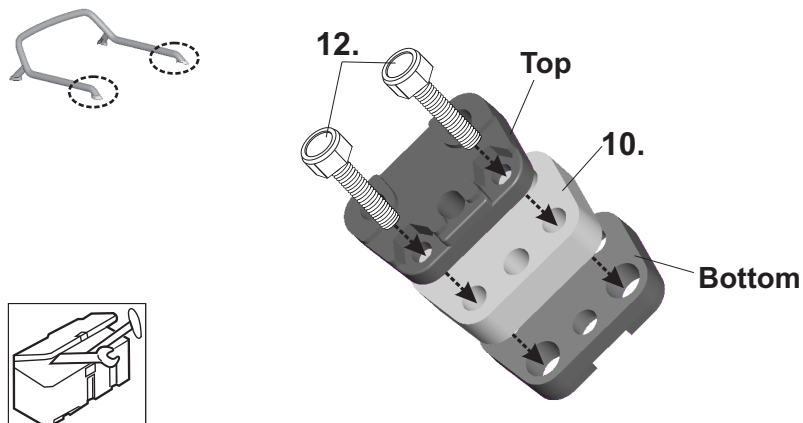
### Step 17

1. On LHS and RHS front of the sport bar, fit Scrivets (9.) into Foot Cup Front LH and RH (5. & 6.).



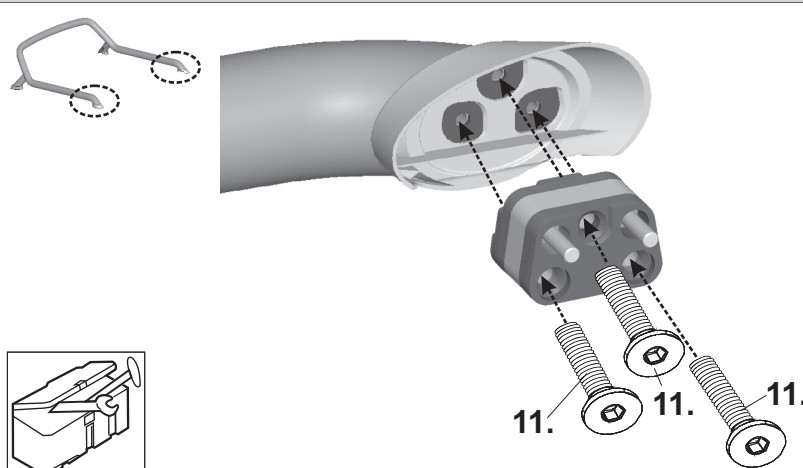
### Step 18

1. For LHS and RHS rear of the sport bar, place Lower Plates (10.) between previously removed Top Spacer Plates and Bottom Spacer Plates.
2. Per side, push trough 2 x M8x60 Hex Head bolts (12.).



### Step 19

1. On LHS and RHS rear of the sport bar install the Spacer Plate combinations onto the rear feet of the sport bar, using M8x55 Countersunk Bolts (11.).
2. Tighten bolts M8x55 Countersunk to torque 25Nm.

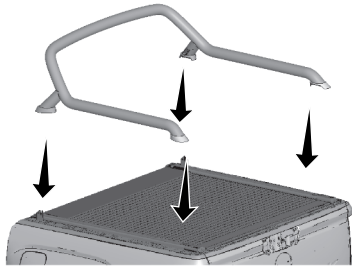
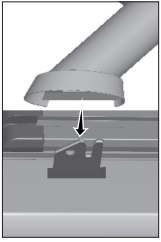




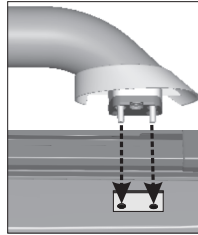
## Step 20

1. Place sport bar back onto the vehicle.
2. Ensure that front feet of the sport bar engage with Mounting Brackets.
3. At the rear, ensure that Spacer Plates rest securely in bed rail cap trim-outs and that M8x60 bolt threads slide into existing holes in bed rails.

FRONT

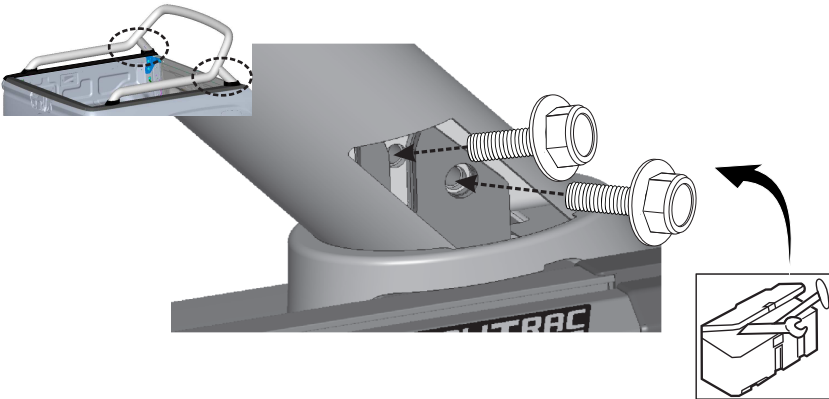


REAR



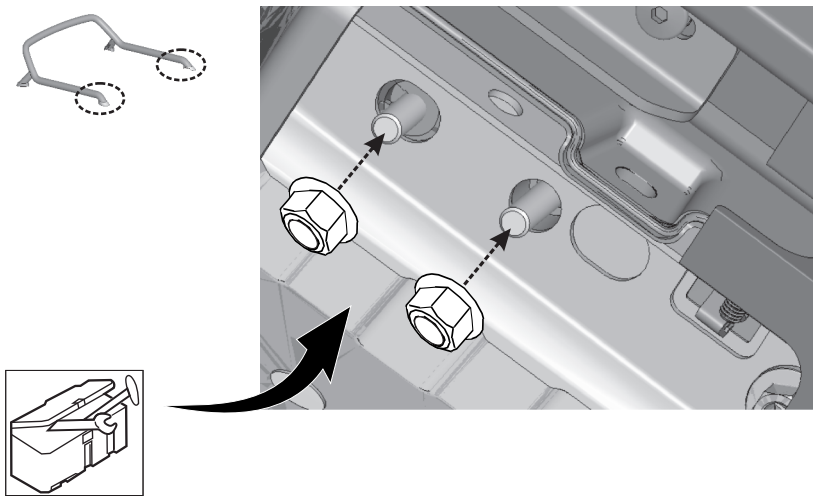
## Step 21

1. On front LHS and RHS of Sport (Styling) Bar reuse 2 x M8 bolts as shown, to fix sport bar to Mounting Brackets.
2. Do not yet tighten bolts.



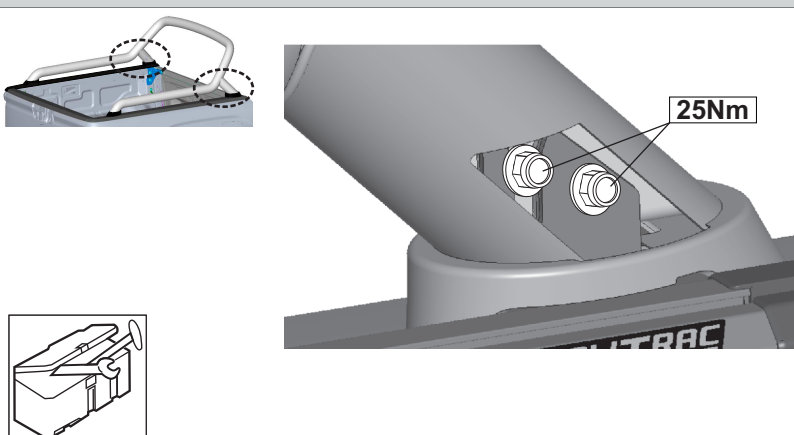
## Step 22

1. On rear LHS and RHS of Sport (Styling) Bar, from underneath reuse 2 x M8 nuts as shown, to fix sport bar to top of cargo box.
2. Do not yet tighten bolts.



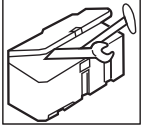
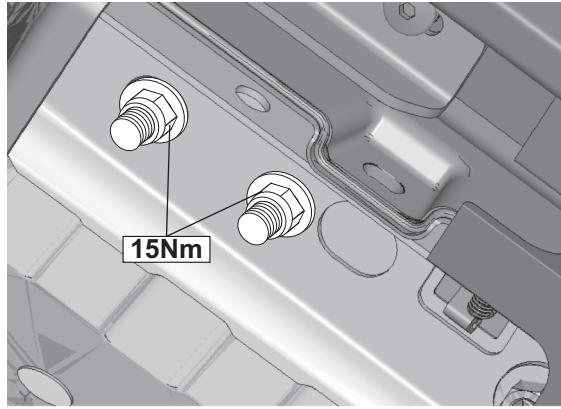
## Step 23

1. On front LHS and RHS of Sport (Styling) Bar tighten M8 bolts.
2. Tighten bolts with a **torque of 25Nm**.



## Step 24

1. On rear LHS and RHS of Sport (Styling) Bar, from underneath tighten M8 nuts
2. Tighten bolts with a **torque of 15Nm**.



## Step 25

1. On front LHS and RHS of Sport (Styling) Bar re-install the bracket covers.

