

# INSTALLATION INSTRUCTIONS (K555) Over Rail Liner Ford-Ranger T6-2011-Double Cab



<b>A</b>		<b>B</b>		<b>C</b>		<b>D</b>	
----------	--	----------	--	----------	--	----------	--

<b>E</b>		<b>F</b>		<b>G</b>		<b>H</b>	
----------	--	----------	--	----------	--	----------	--

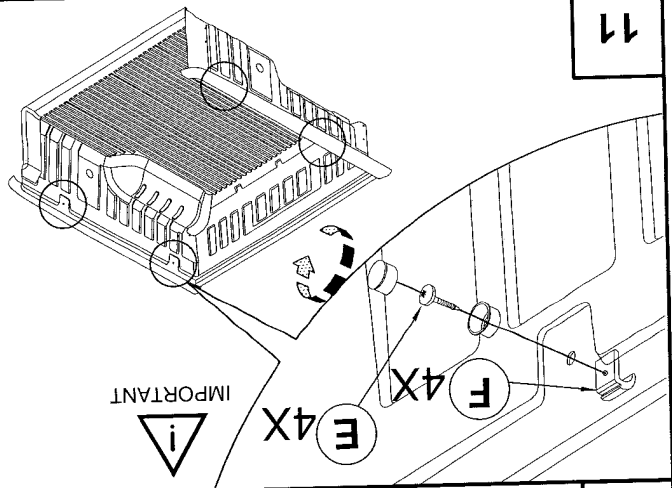
<b>I</b>		<b>J</b>		<b>K</b>		<p>X2 = NEW PART</p> <p>= EXISTING PART</p>
----------	--	----------	--	----------	--	-------------------------------------------------

<b>1</b>	<p>REMOVE PLASTIC CAPS IF FITTED</p>	
<b>2</b>	<p>REMOVE LADDER RACK IF FITTED</p>	

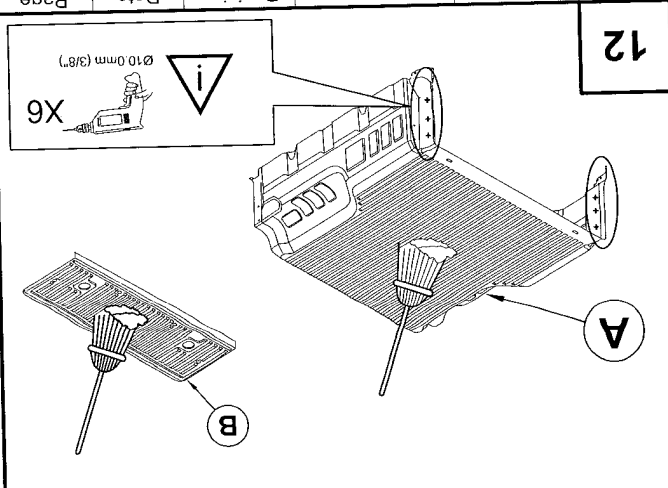
<b>3</b>	<p>CLEAN (ALCOHOL)</p>	
<b>4</b>		

Page	Date	Revision	Product	Cab Size	Stockist	General Use	Year	Model Type	Manufacturer	Ford	IDFK555
1 of 4	22-05-12	1	OR Liner	DC			2011	Ranger			

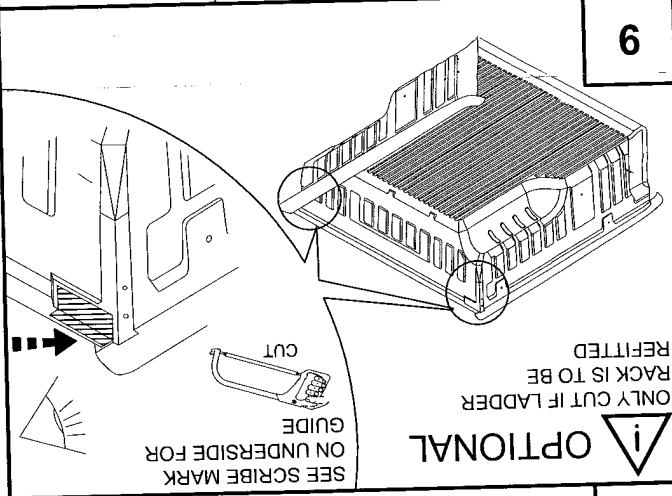
11



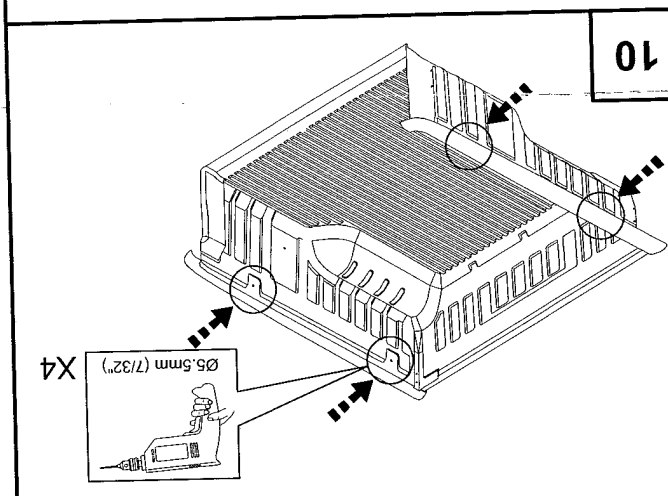
12



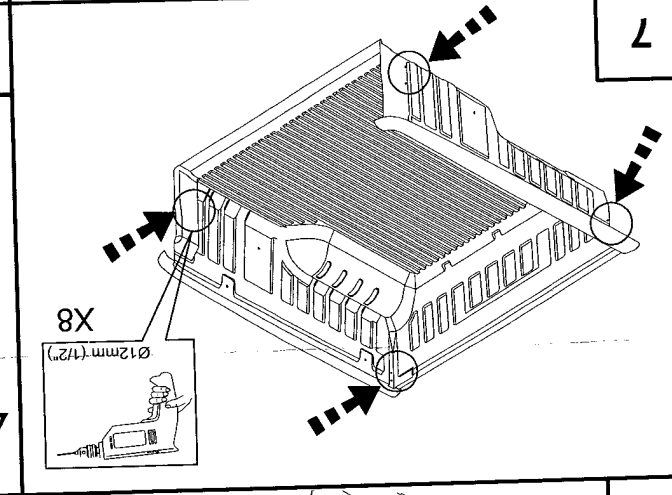
9



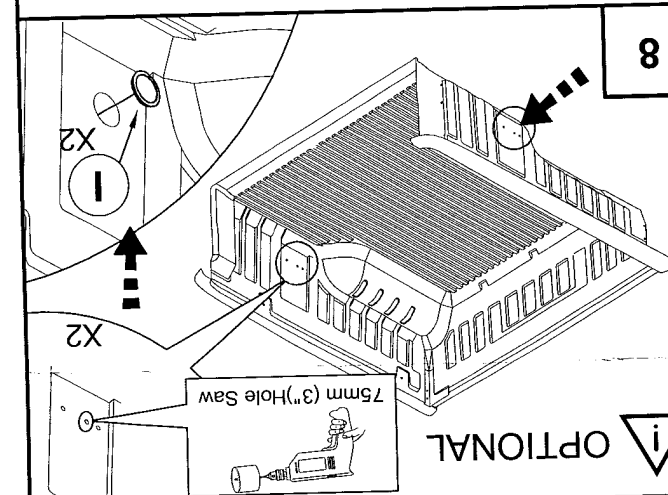
10



7



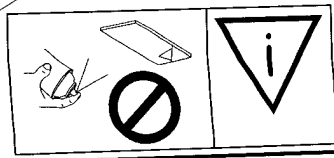
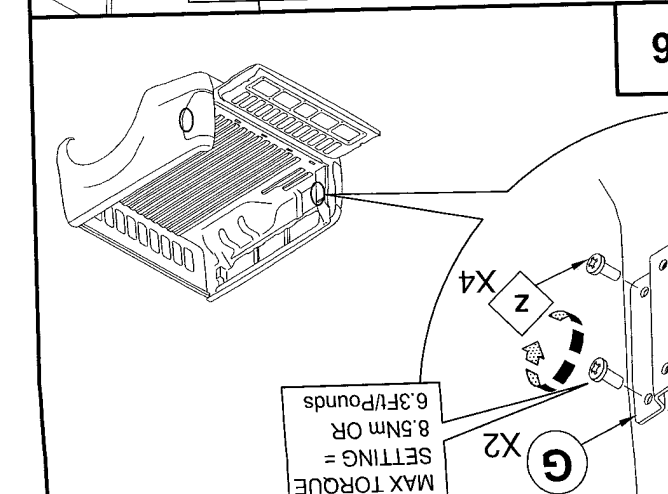
8



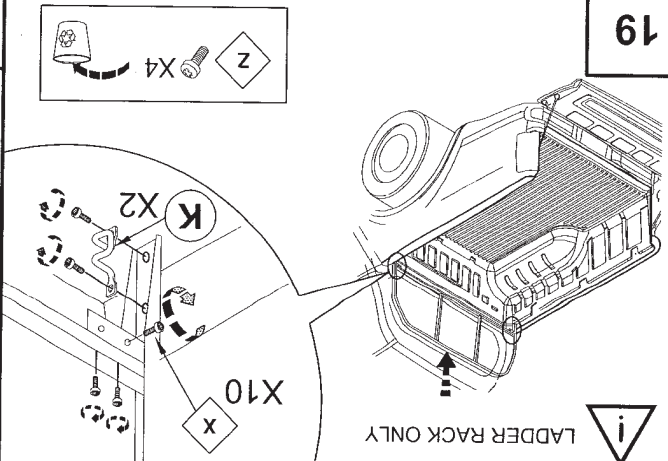
5



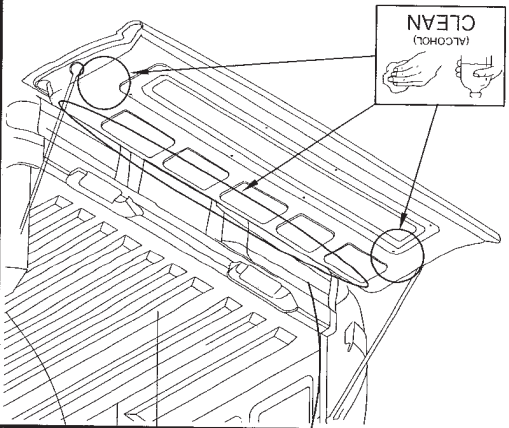
6



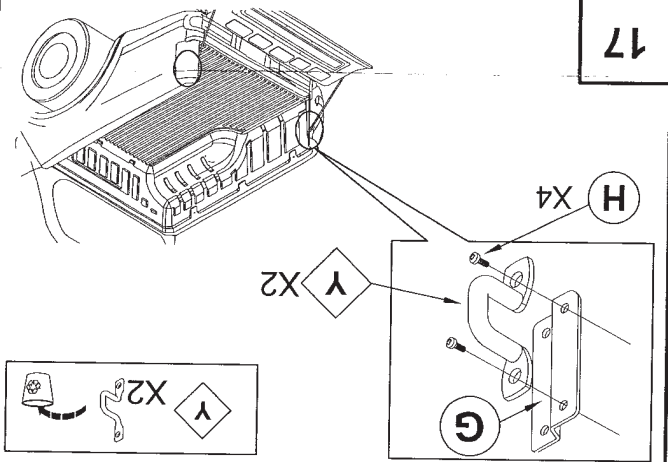
19



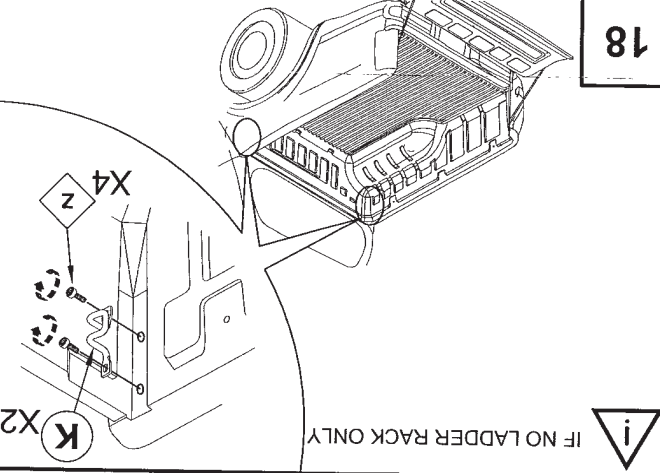
20



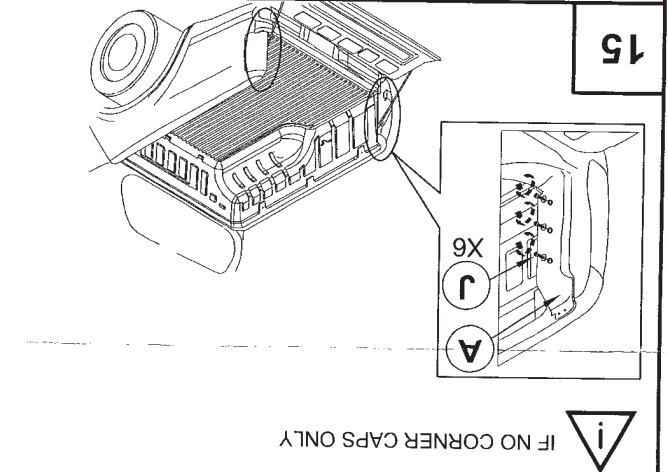
17



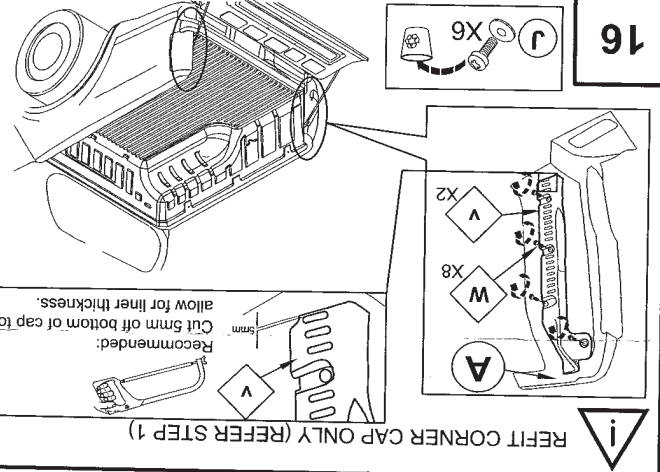
18



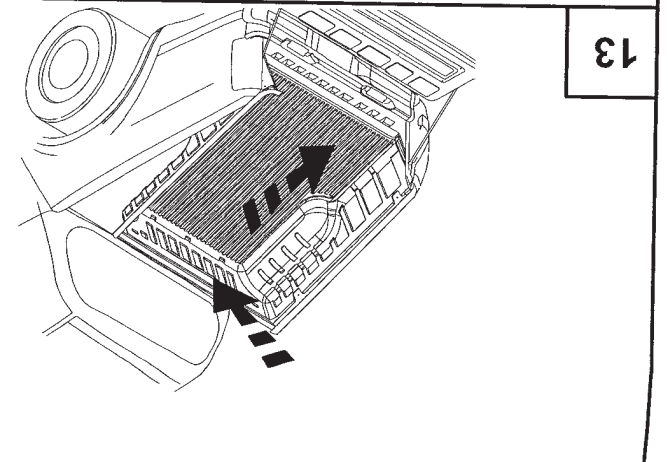
15



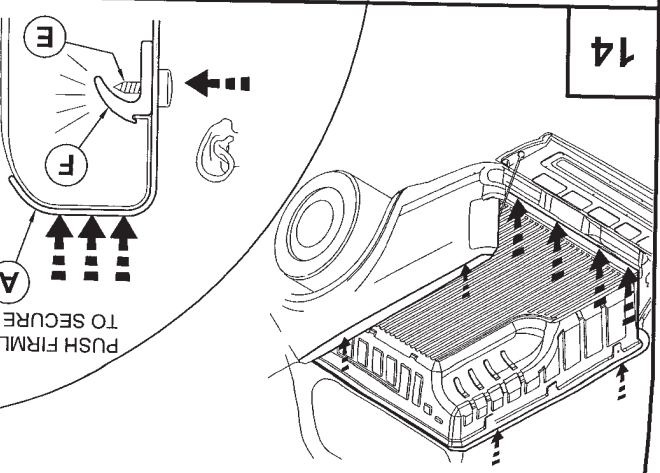
16



13



14



Part Number	2011	General Use	DC	OR Liner	Revision	Date	Page
IDFK555	2011	Stockist	DC	OR Liner	1	22-05-12	4 of 4
Manufacturer	Year	Model Type	Cab Size	Product	Revision	Date	Page
Ford	2011	Ranger	DC	OR Liner	1	22-05-12	4 of 4

