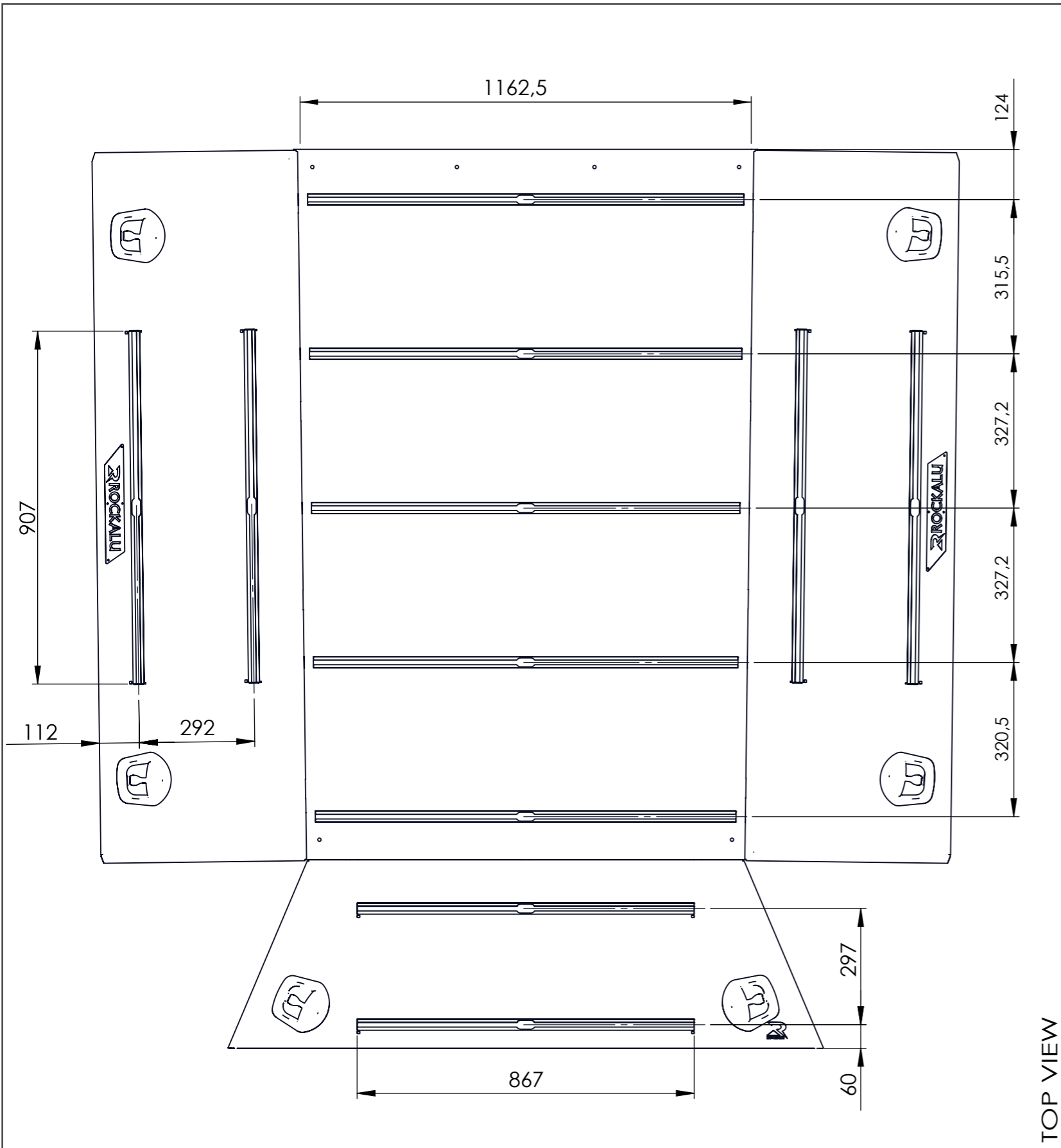
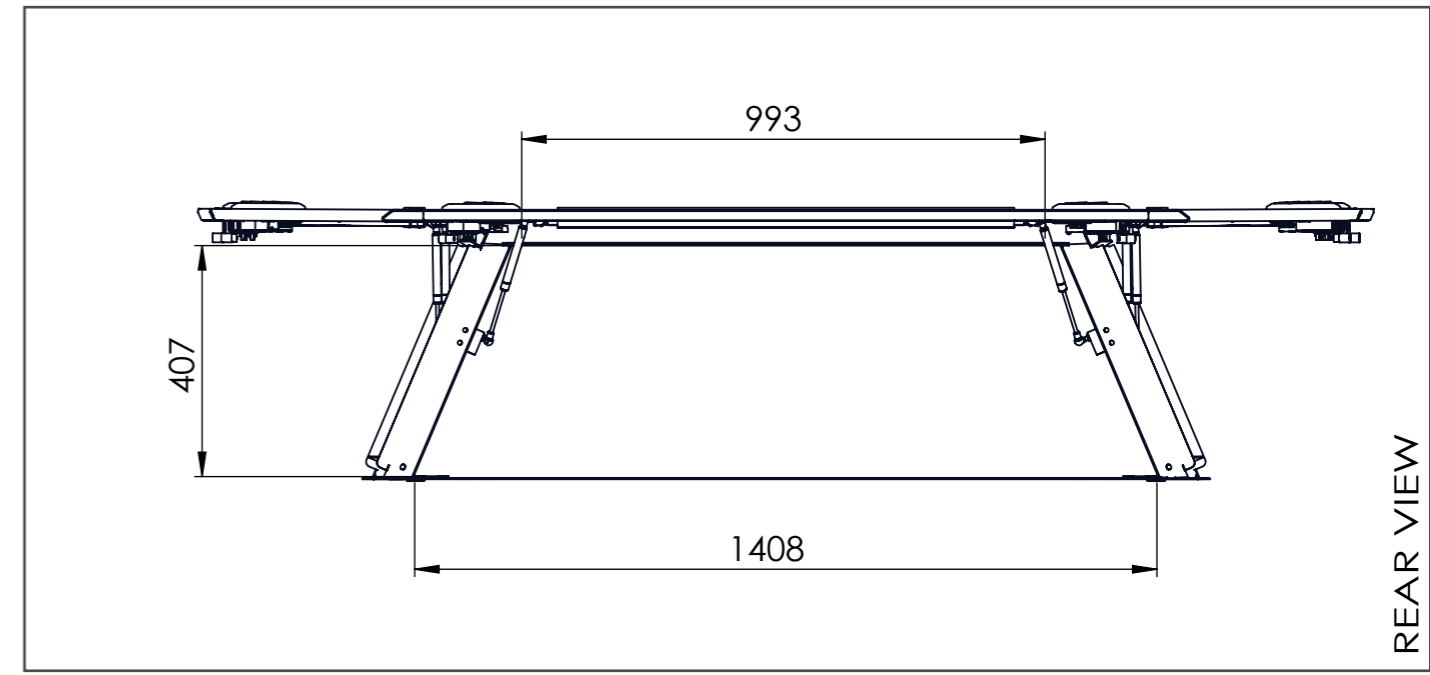




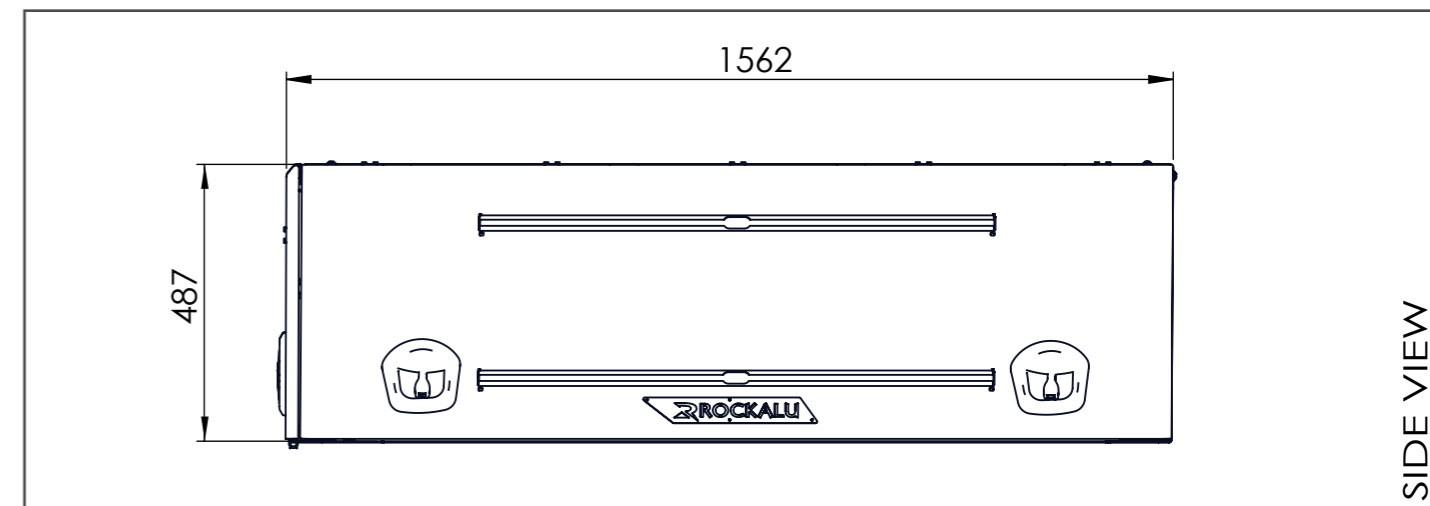
# DIMENSIONS HARDTOP DOUBLE CAB



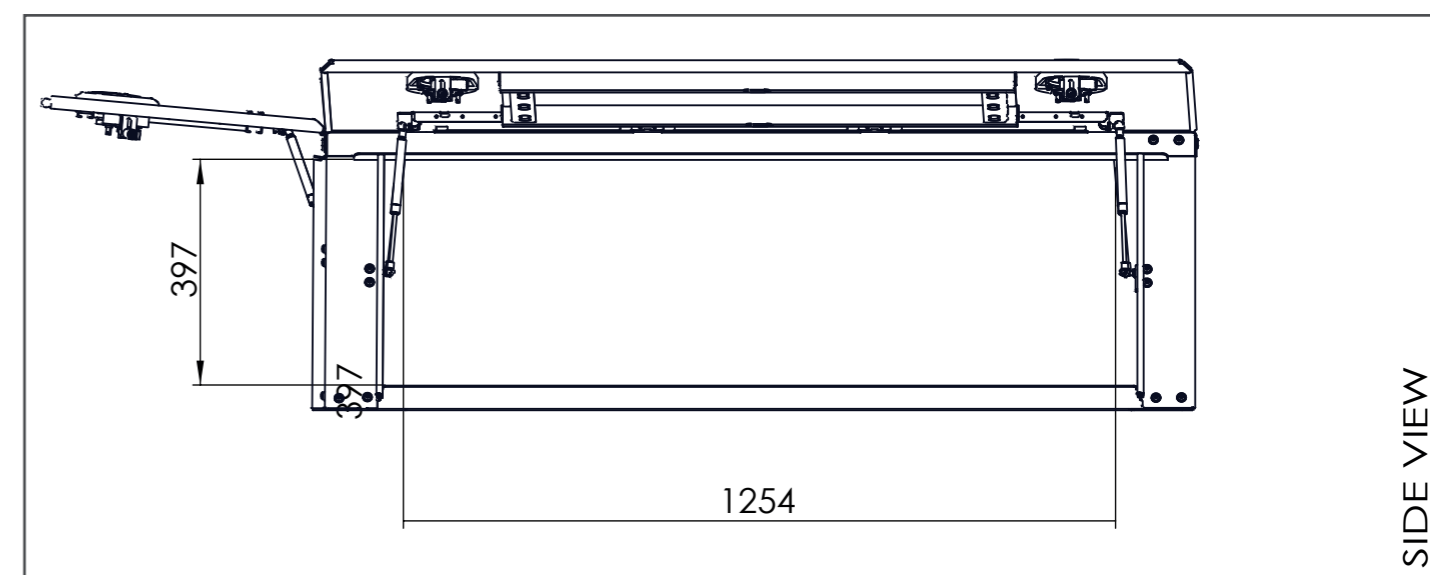
TOP VIEW



REAR VIEW



SIDE VIEW



SIDE VIEW