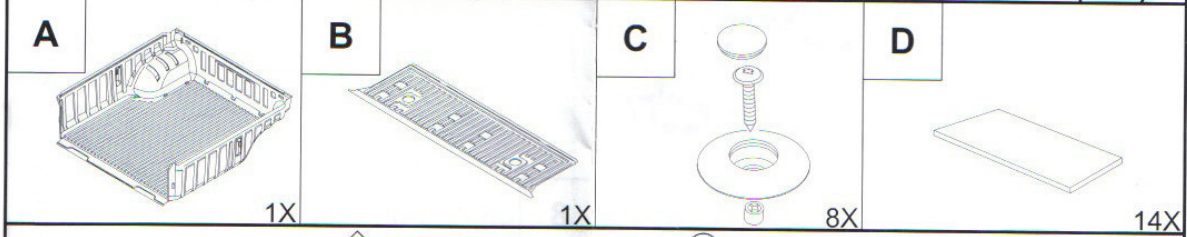
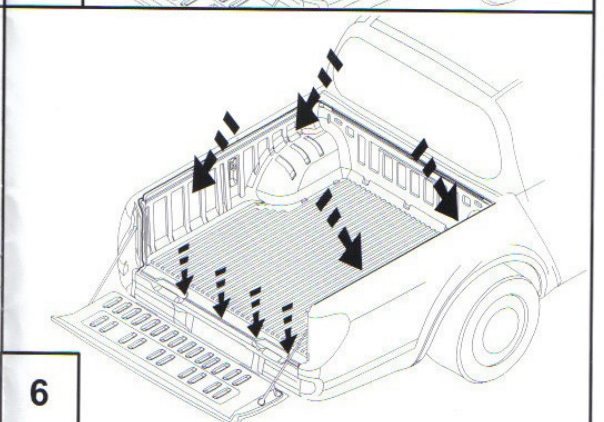
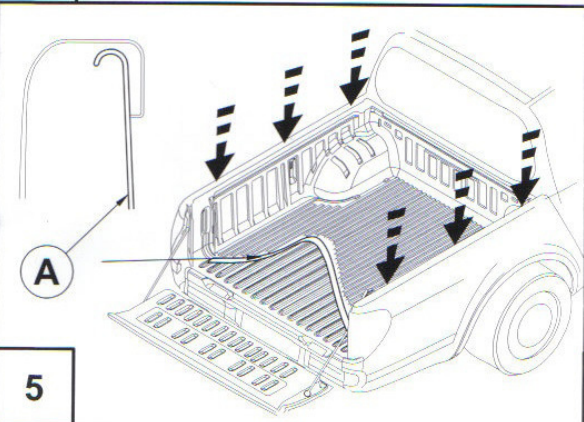
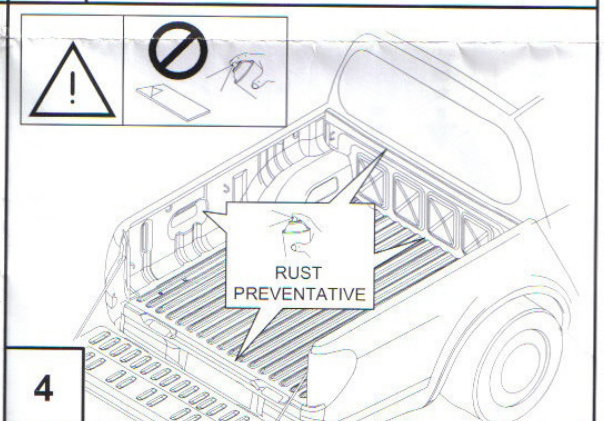
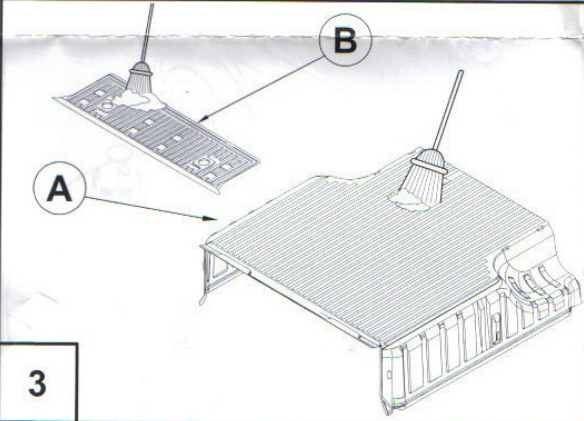
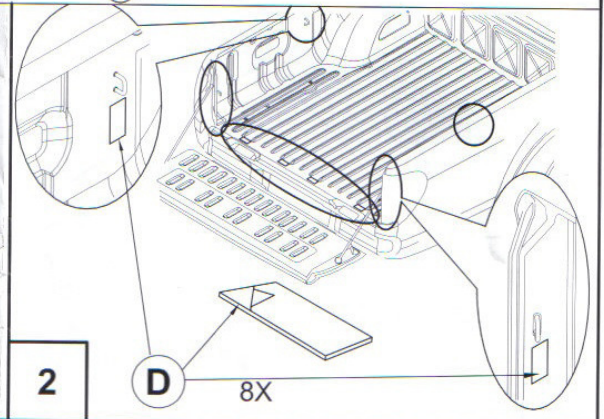
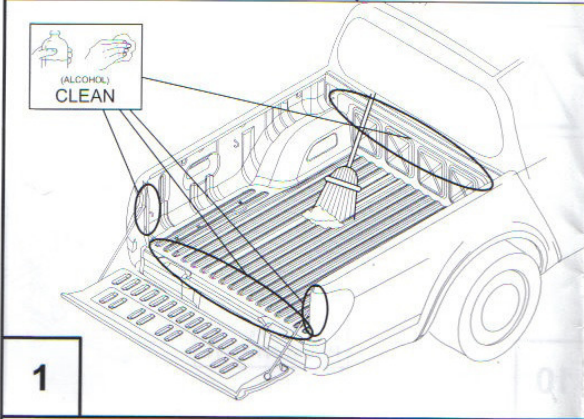




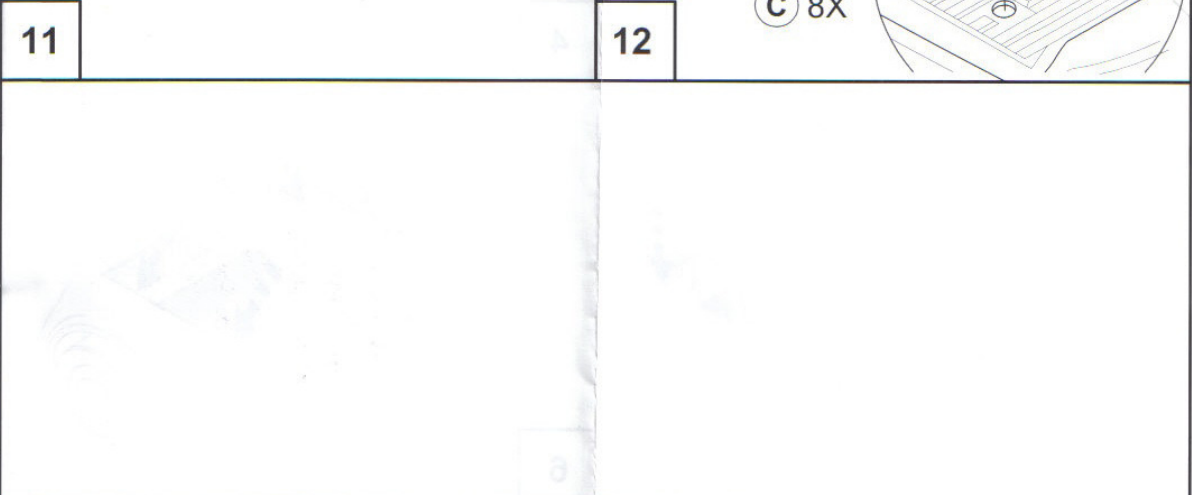
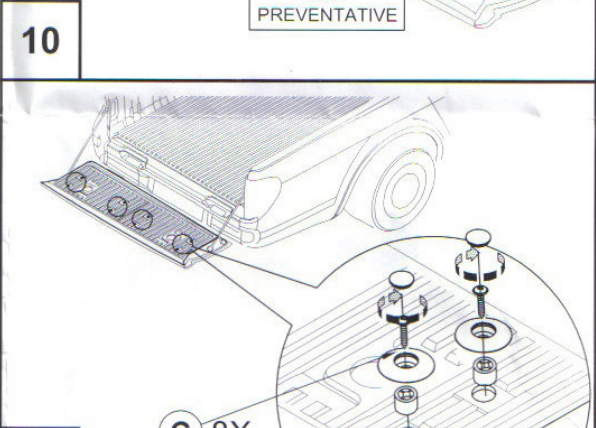
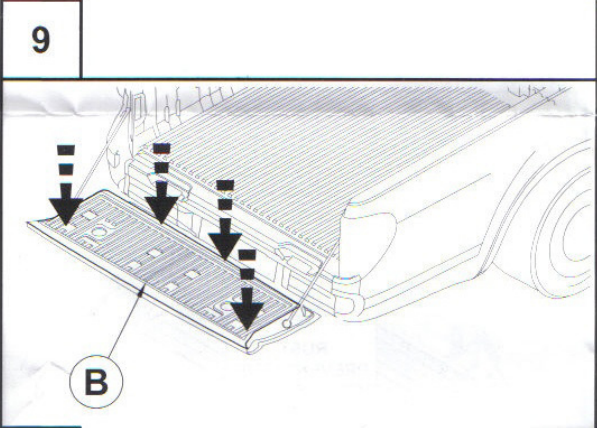
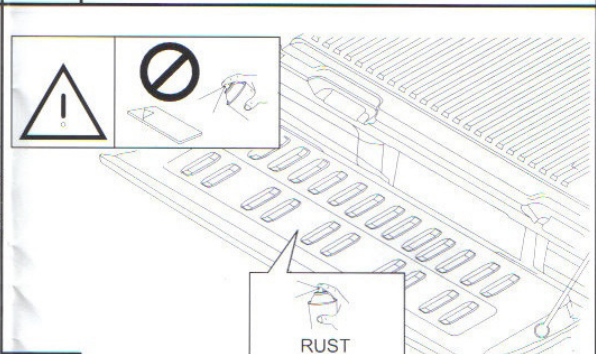
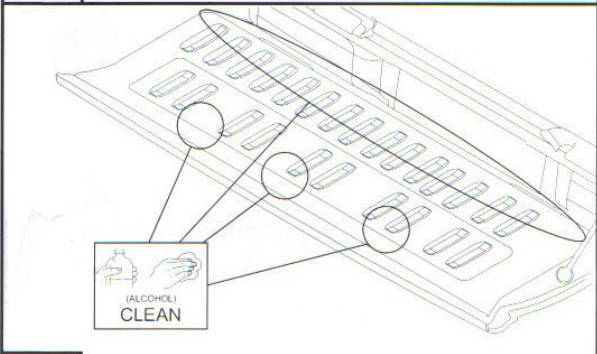
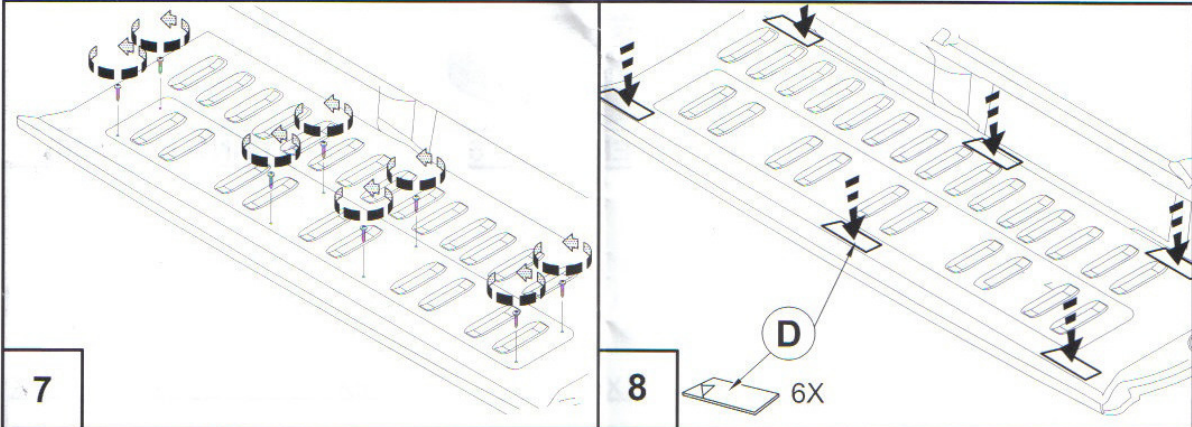
MITSUBISHI L200 DOUBLE CAB UNDER RAIL - 6 TIE HOOK FITTING KIT (K96)



◇ = EXISTING PART ○ = NEW PART



Fitting Kit Number	Manufacturer	Model Type	Year	Customer	Cab Size	UR or OR	Revision	Date	Page
IDFK96	Mitsubishi	L200	2009+	GENERAL USE	DC	Under Rail	2	08-02-10	1 of 2



Fitting Kit Number	Manufacturer	Model Type	Year	Customer	Cab Size	UR or OR	Revision	Date	Page
IDFK96	Mitsubishi	L200	2009+	GENERAL USE	DC	Under Rail	2	08-02-10	2 of 2