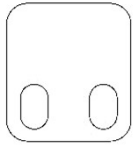
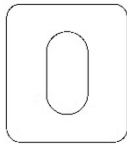


# Kit de montage TOYOTA HILUX REVO



X4  
O0030



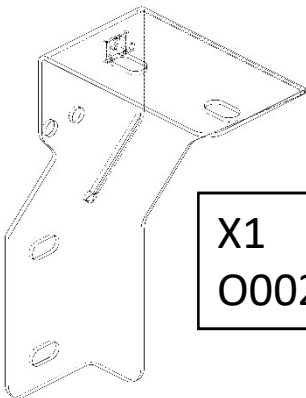
X12  
O0031



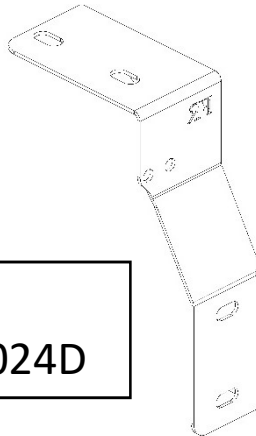
X2  
O0010



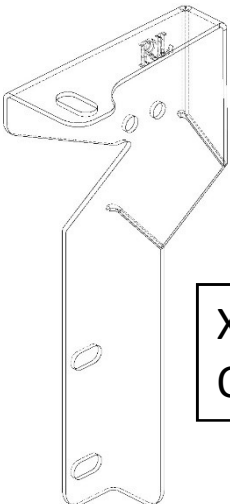
X2  
O0011



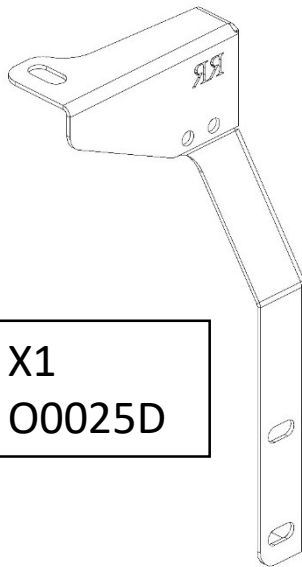
X1  
O0024G



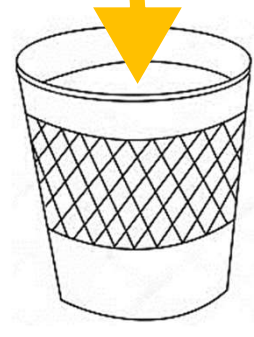
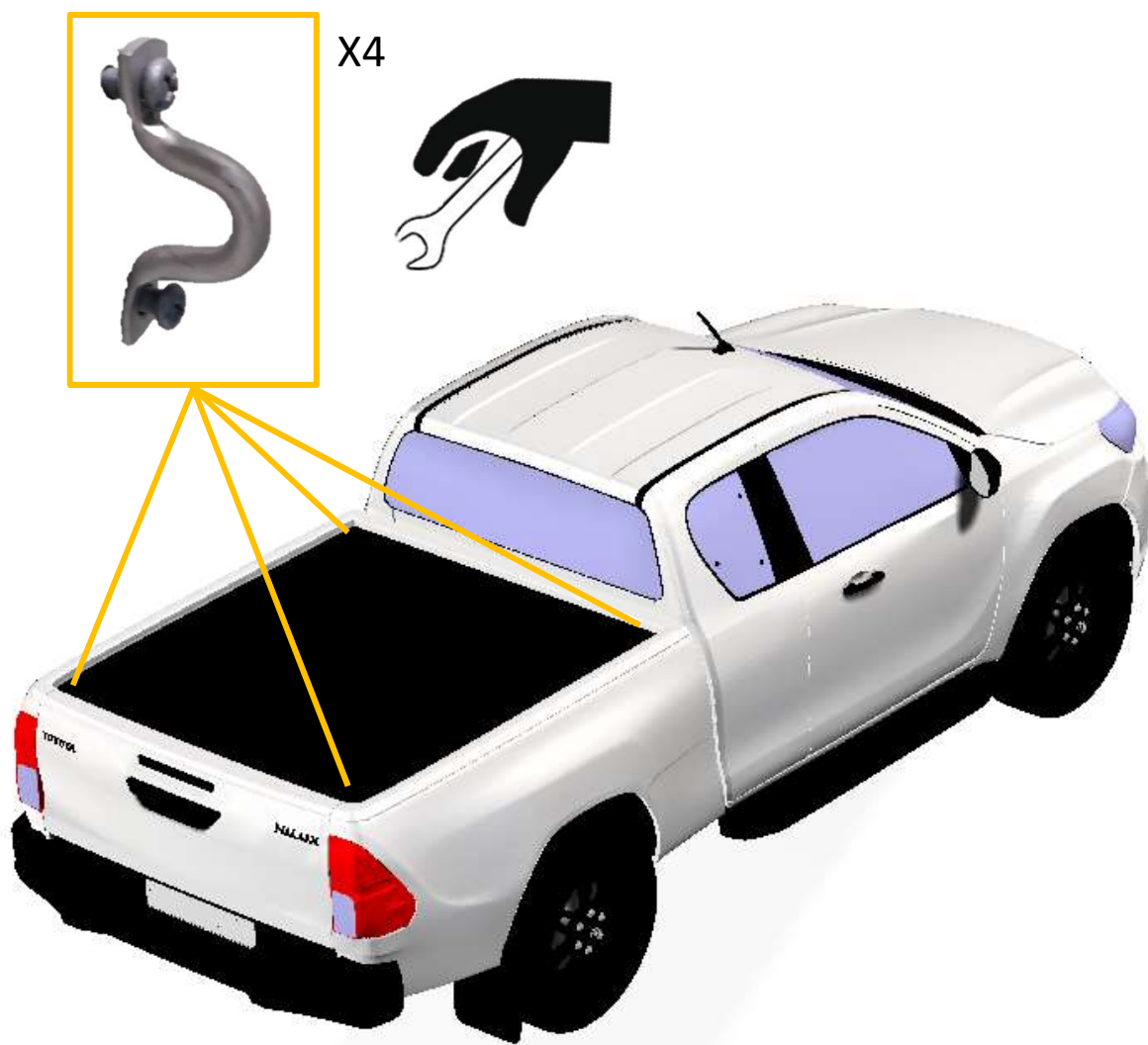
X1  
O0024D

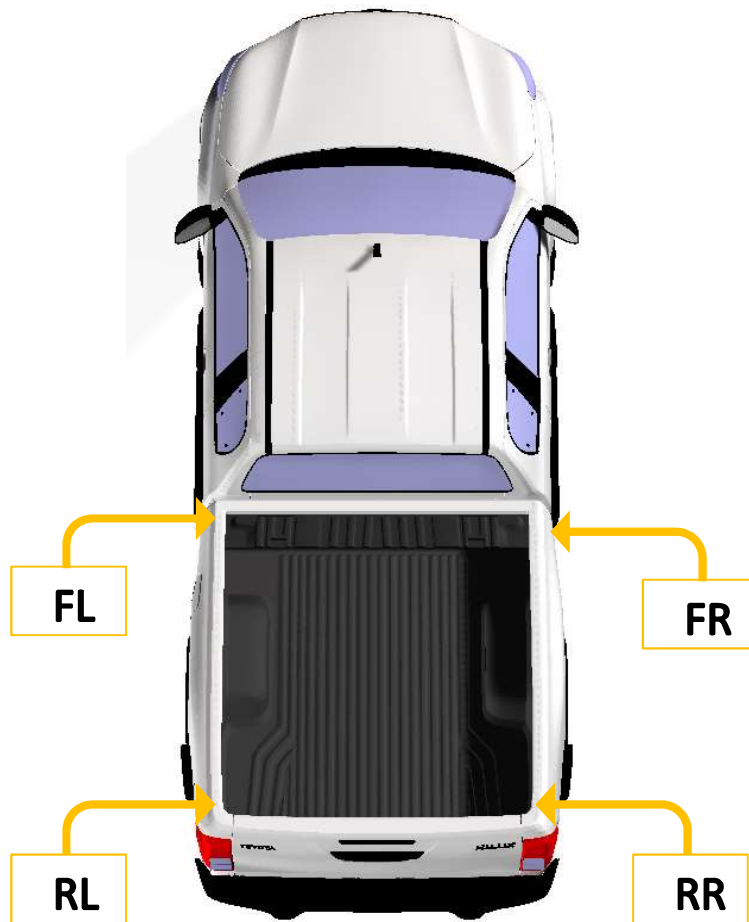


X1  
O0025G



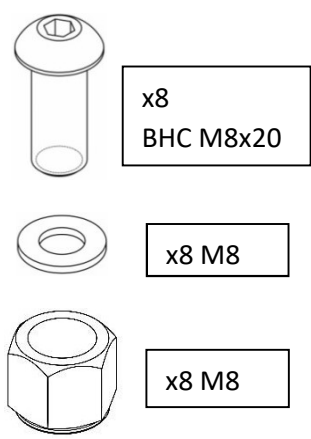
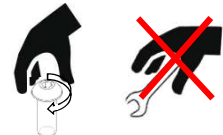
X1  
O0025D





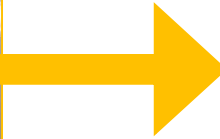
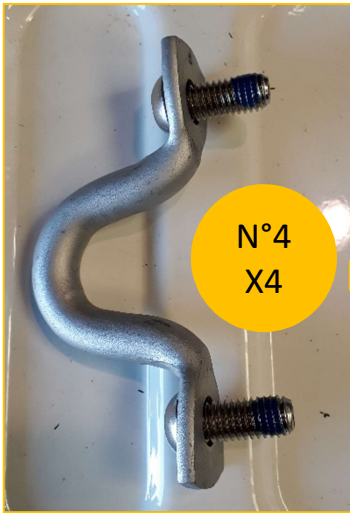
O0024D → X1  
 O0024G → X1  
 O0025D → X1  
 O0025G → X1

O0030 → X4





x8  
BHC M8x20

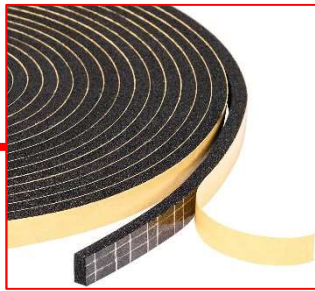
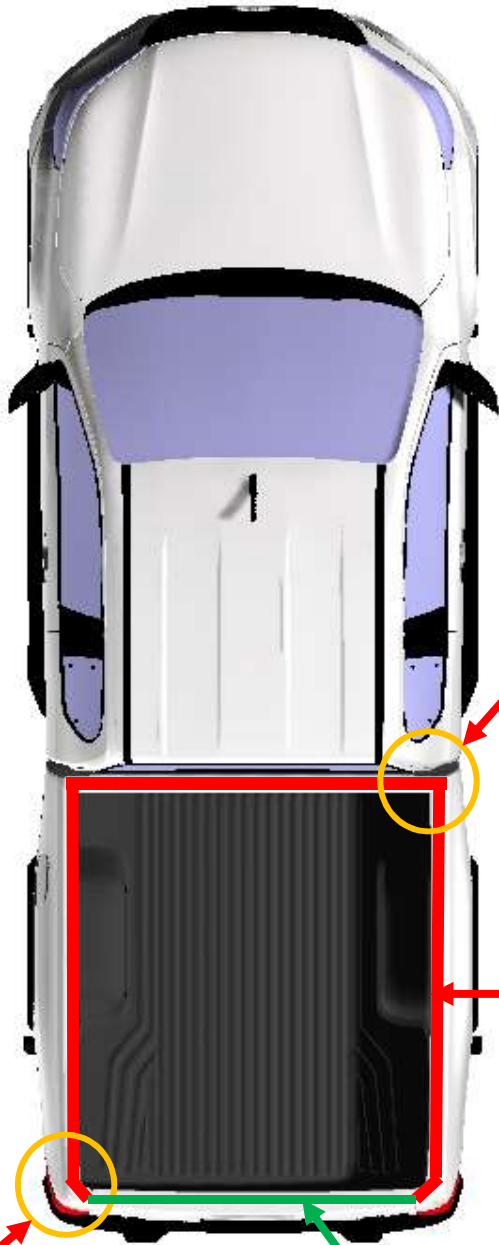


N°8  
X4

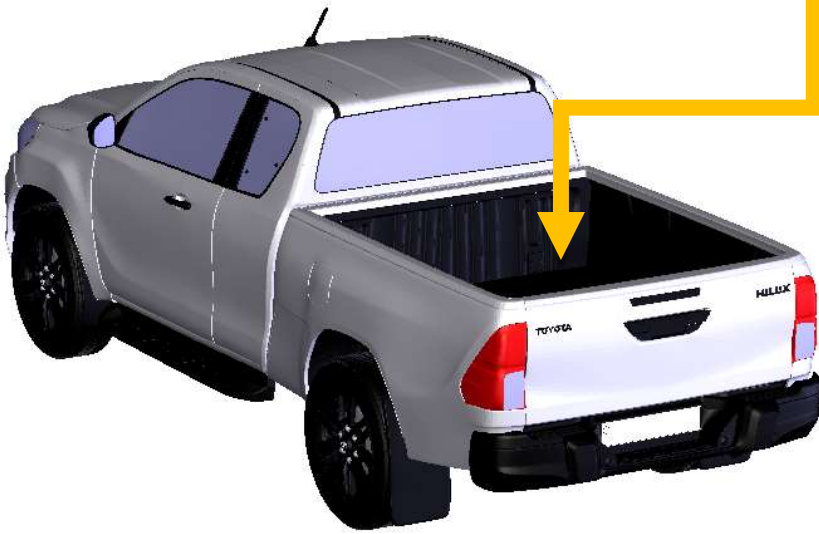
M8 : C<sub>s</sub> = 16 Nm



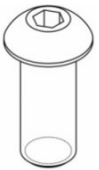
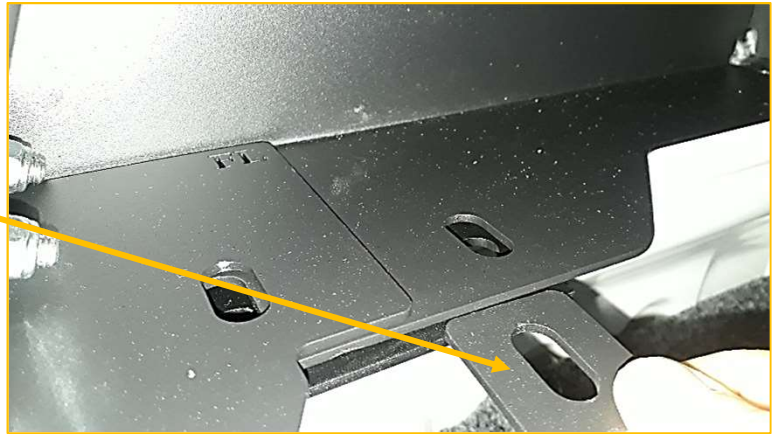
N°7  
X4







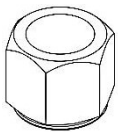
X6  
00031



x6  
BHC M10x25



x6 M10

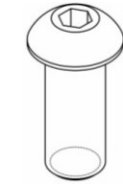


x6 M10

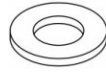


M10 :  $C_5 = 20 \text{ Nm}$

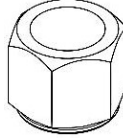




x2  
BHC M6x16



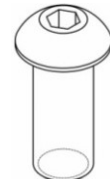
x2 M6



x2 M6



N°1  
X2



x2  
BHC M8x25



x2 M8



x2 M8

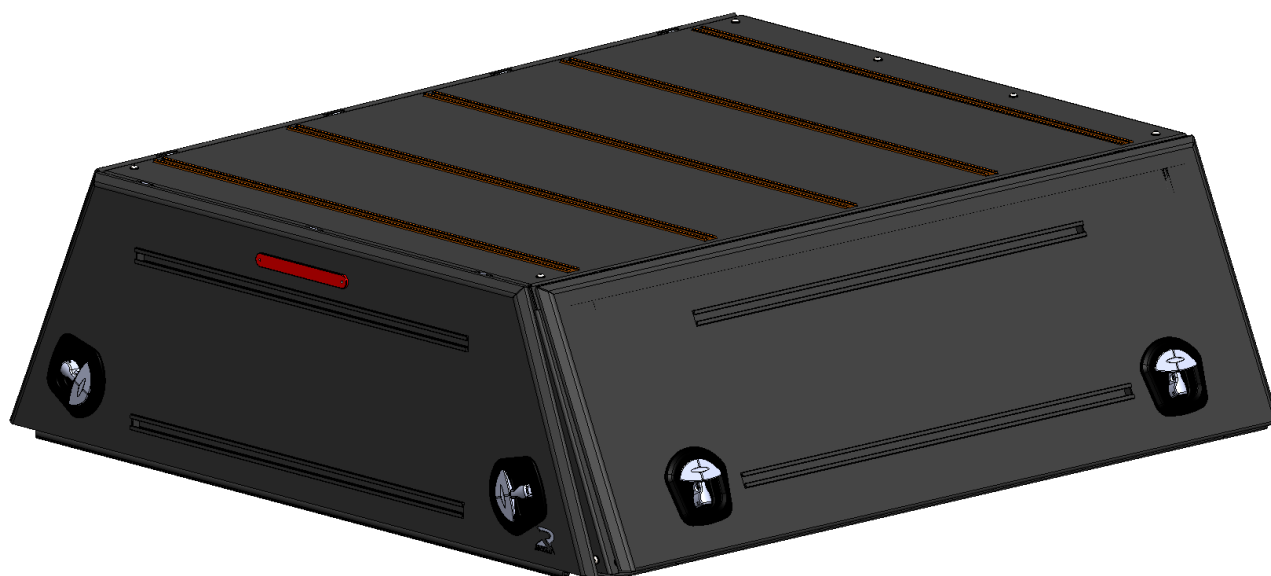


N°2  
X2

M8 :  $C_s = 6 \text{ Nm}$   
M6 :  $C_s = 6 \text{ Nm}$



# HARD TOP



## GUIDE DE MONTAGE



x22  
BHC M4x16  
A4701\_5



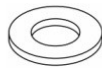
X4  
CHC M4x12  
A4563\_20



X47  
BHC M8x20  
A4861\_10



x48 M4  
A4633\_3



X59 M8  
A4633



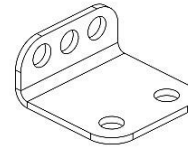
X47 M8  
Plastic  
A4634\_9



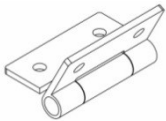
x48 M4  
A4701\_5



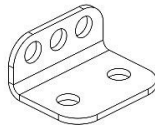
X60 M8  
A4701\_3



x2



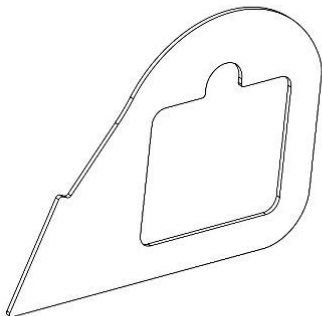
x11  
A5913\_7



x4



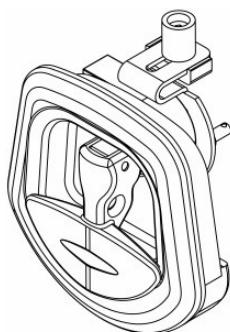
x1,5 m  
A7003\_1



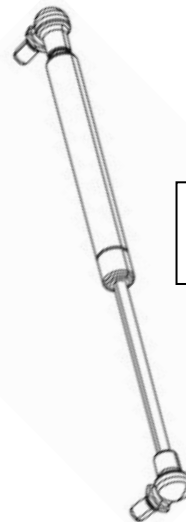
x1  
O0012



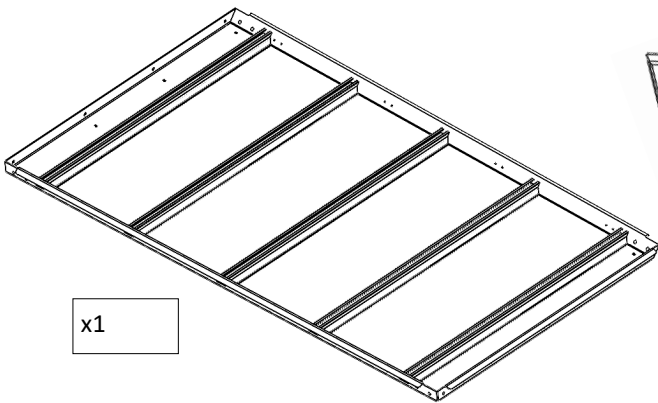
x13 m  
A7003\_3



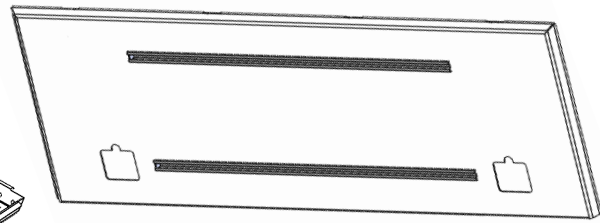
x6  
A5911\_9



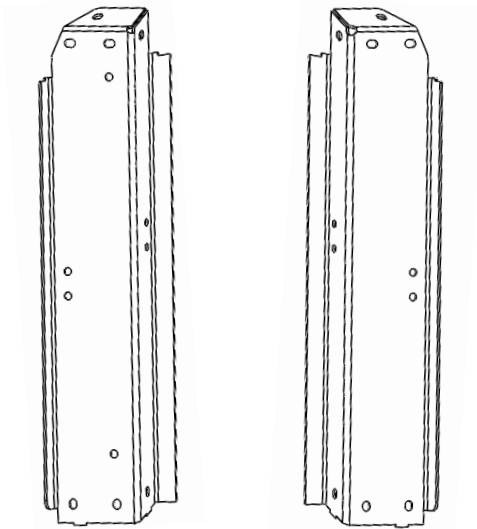
x6  
O0021



x1

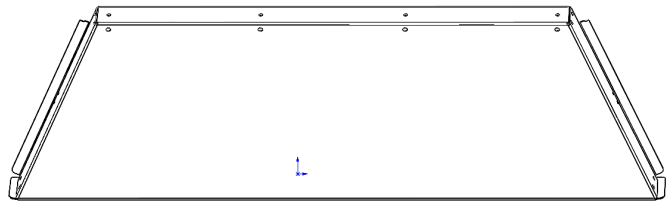


x2

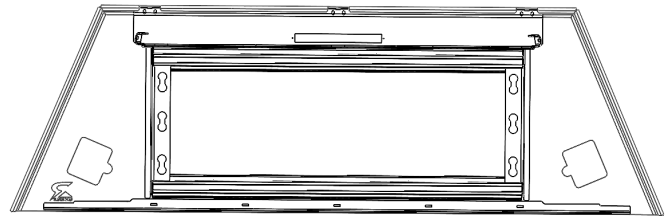


X1 LEFT

X1 RIGHT



x1



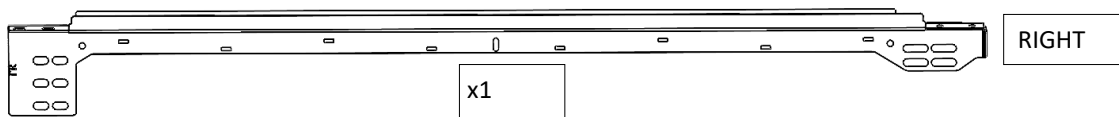
x1



x1

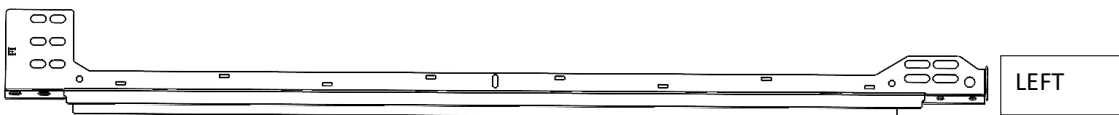


x1



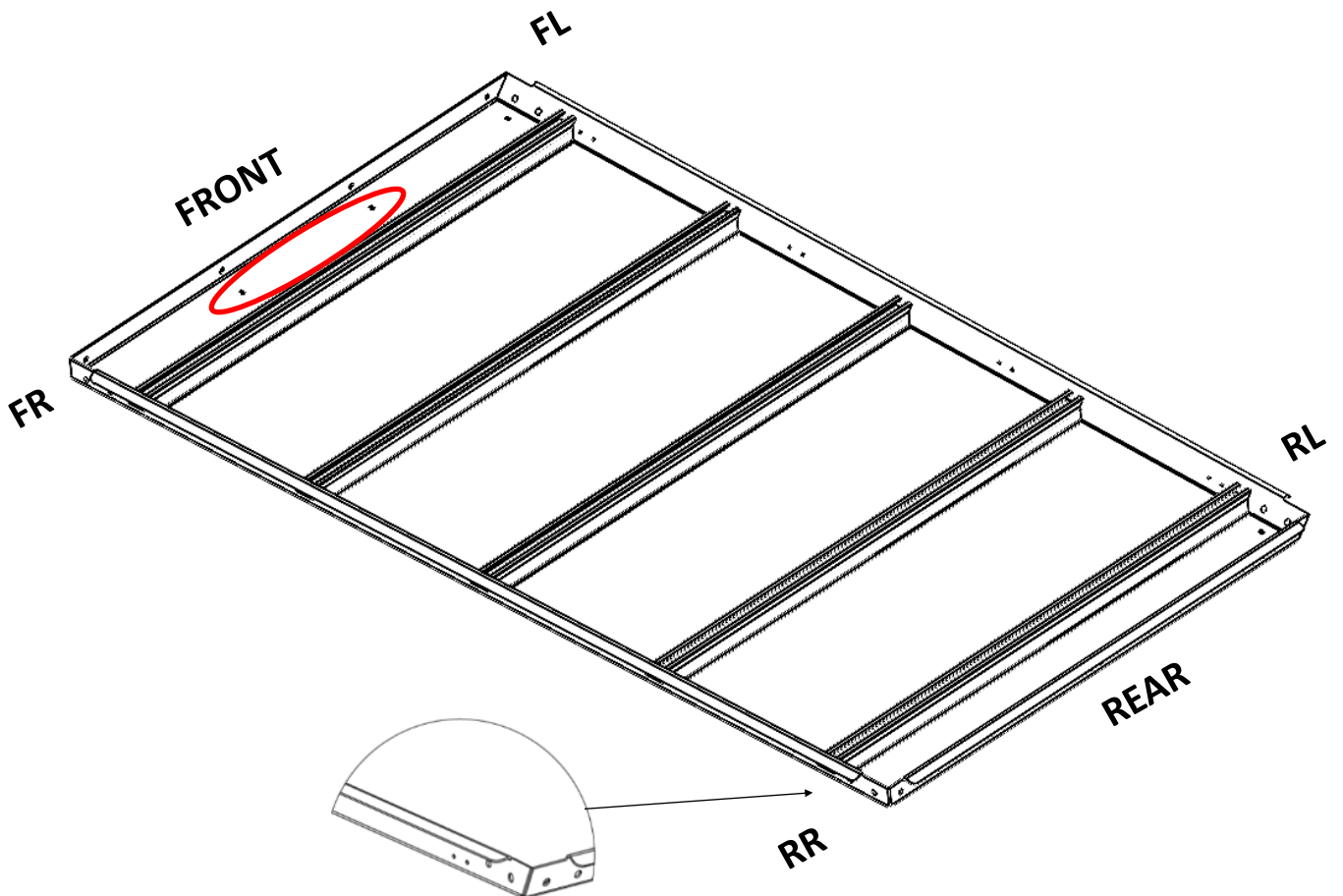
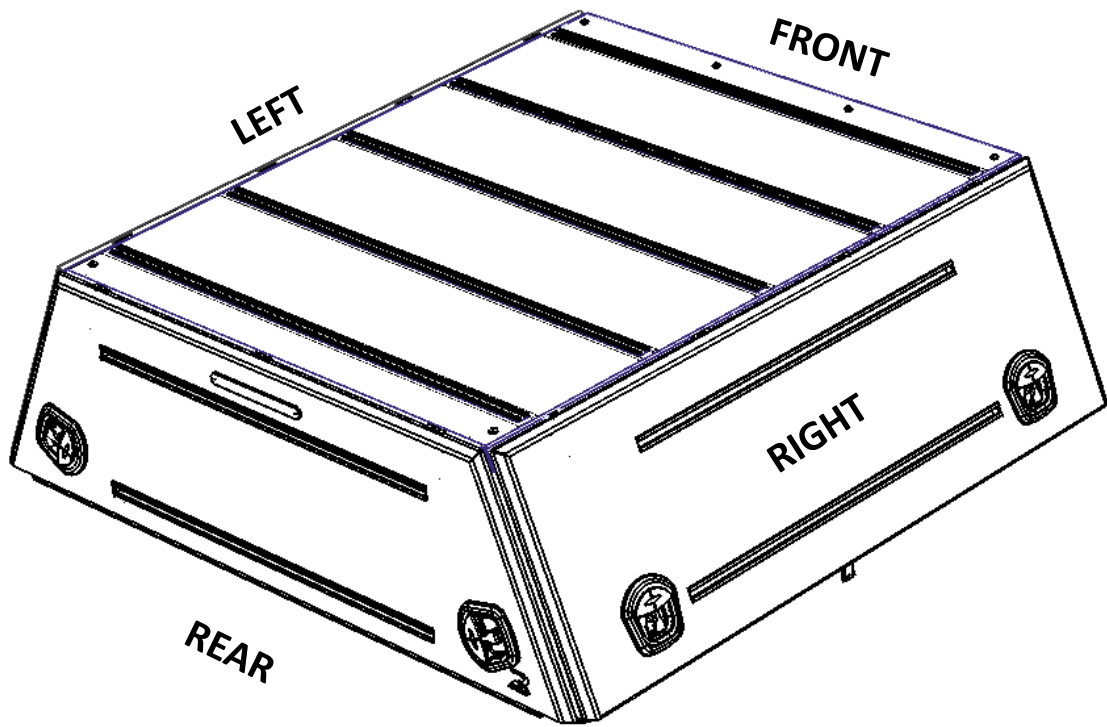
x1

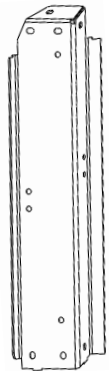
RIGHT



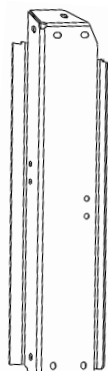
x1

LEFT





X1 LEFT



X1 RIGHT



X8 BHC M8x20

**Outside**



X8 M8 Plastic

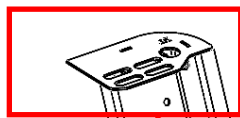
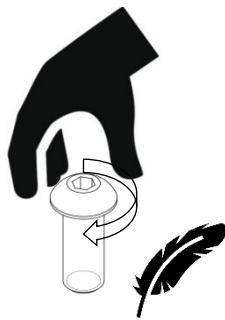
**Inside**



X8 M8



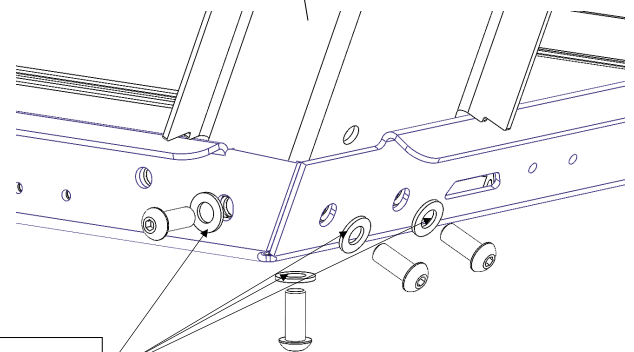
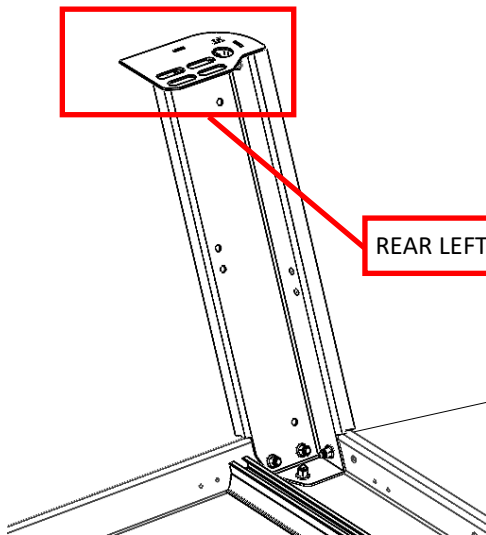
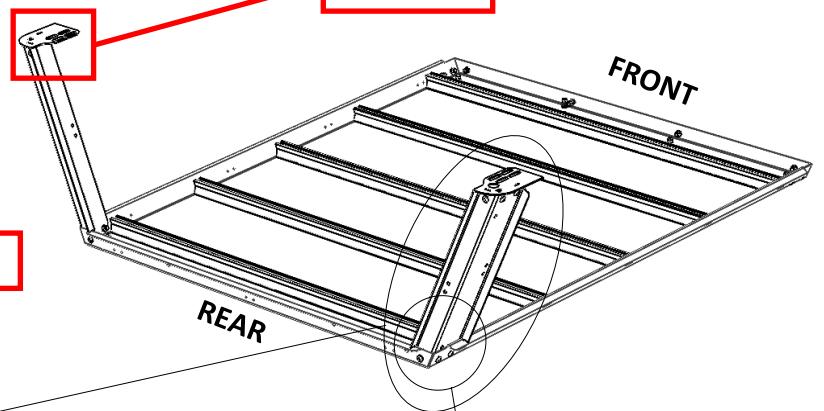
X8 M8



REAR LEFT

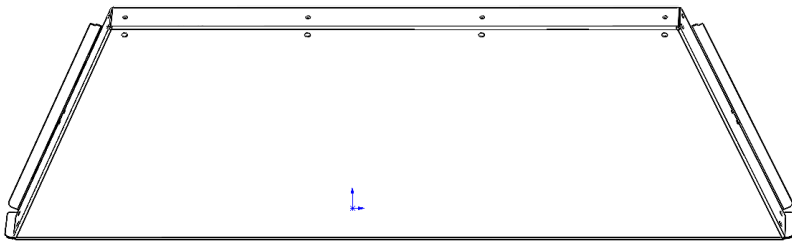


REAR RIGHT



PLASTIC





X1



X12 BHC M8x20

Outside



X12 M8 Plastic

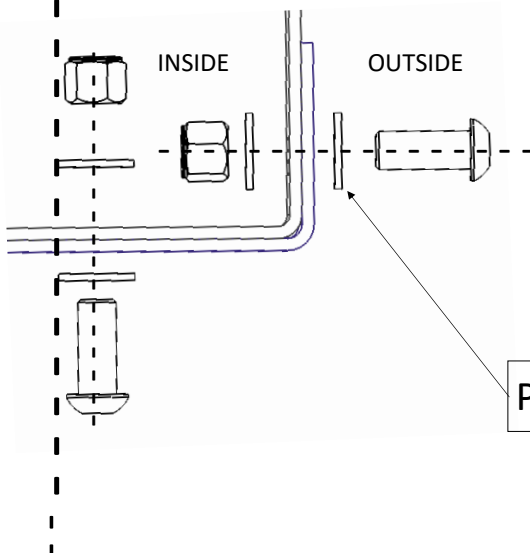
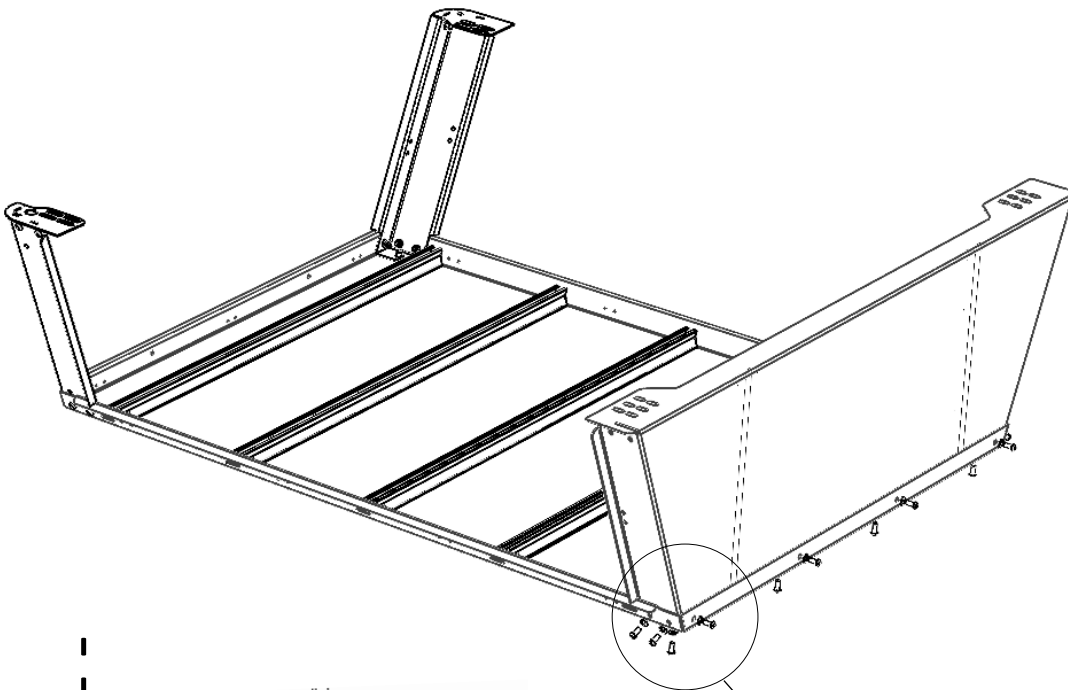
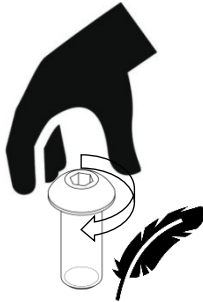
Inside



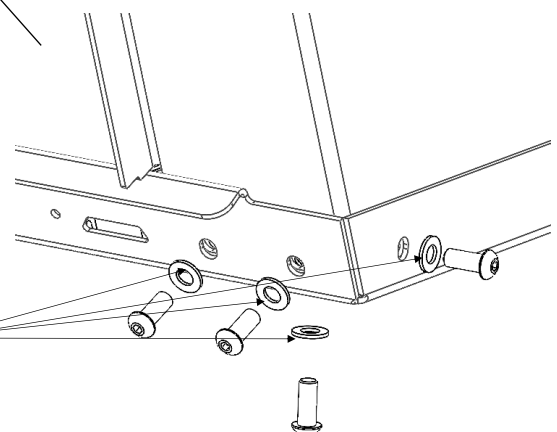
X12 M8

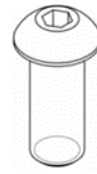
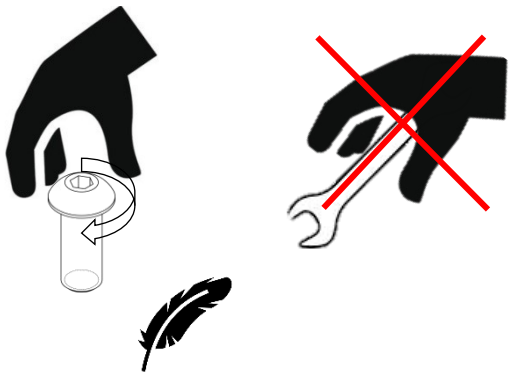


X12 M8



PLASTIC





X10 BHC M8x20

Outside



X10 M8 Plastic

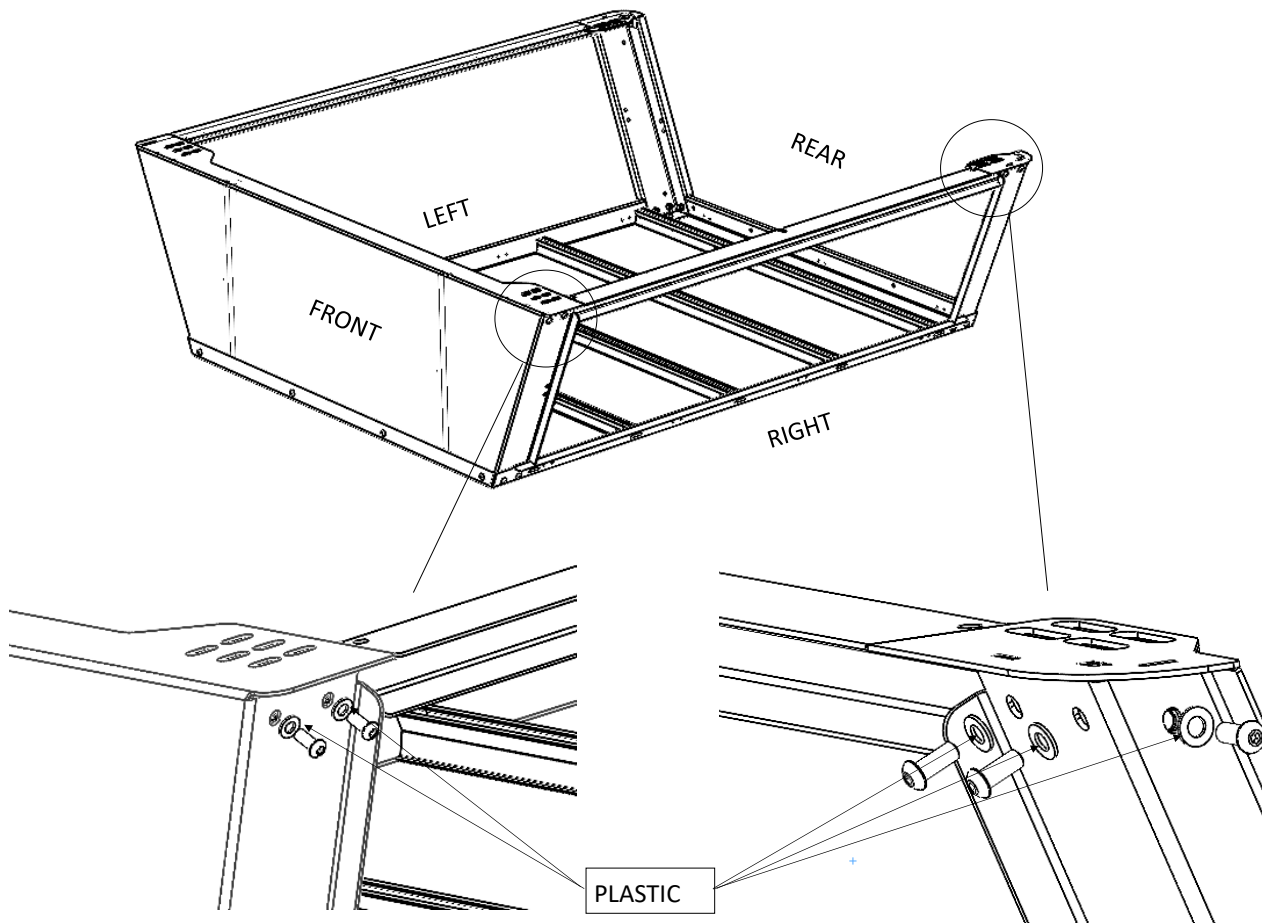
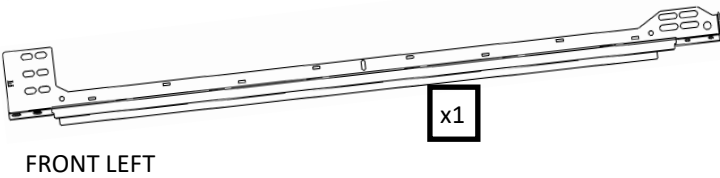
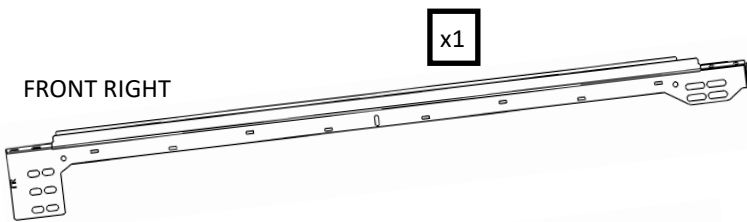
Inside

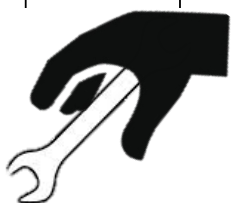
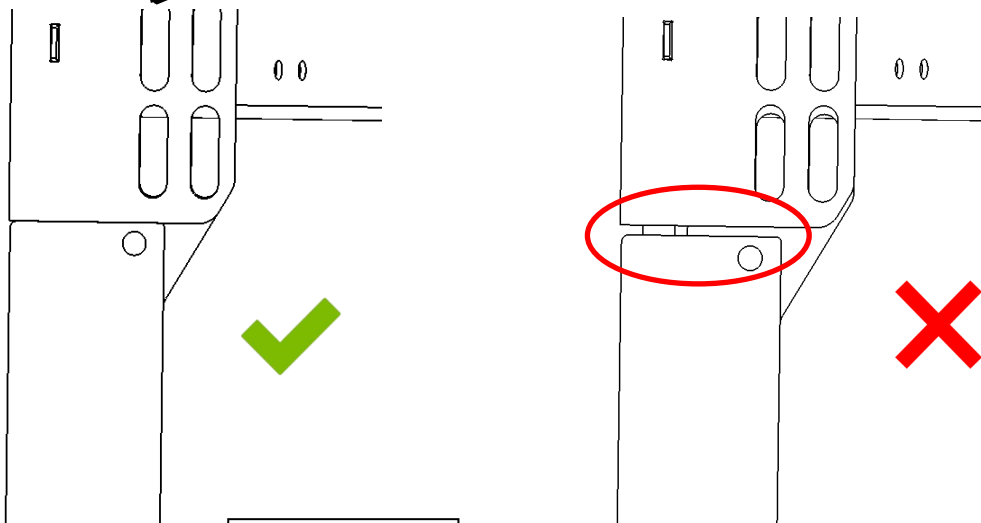
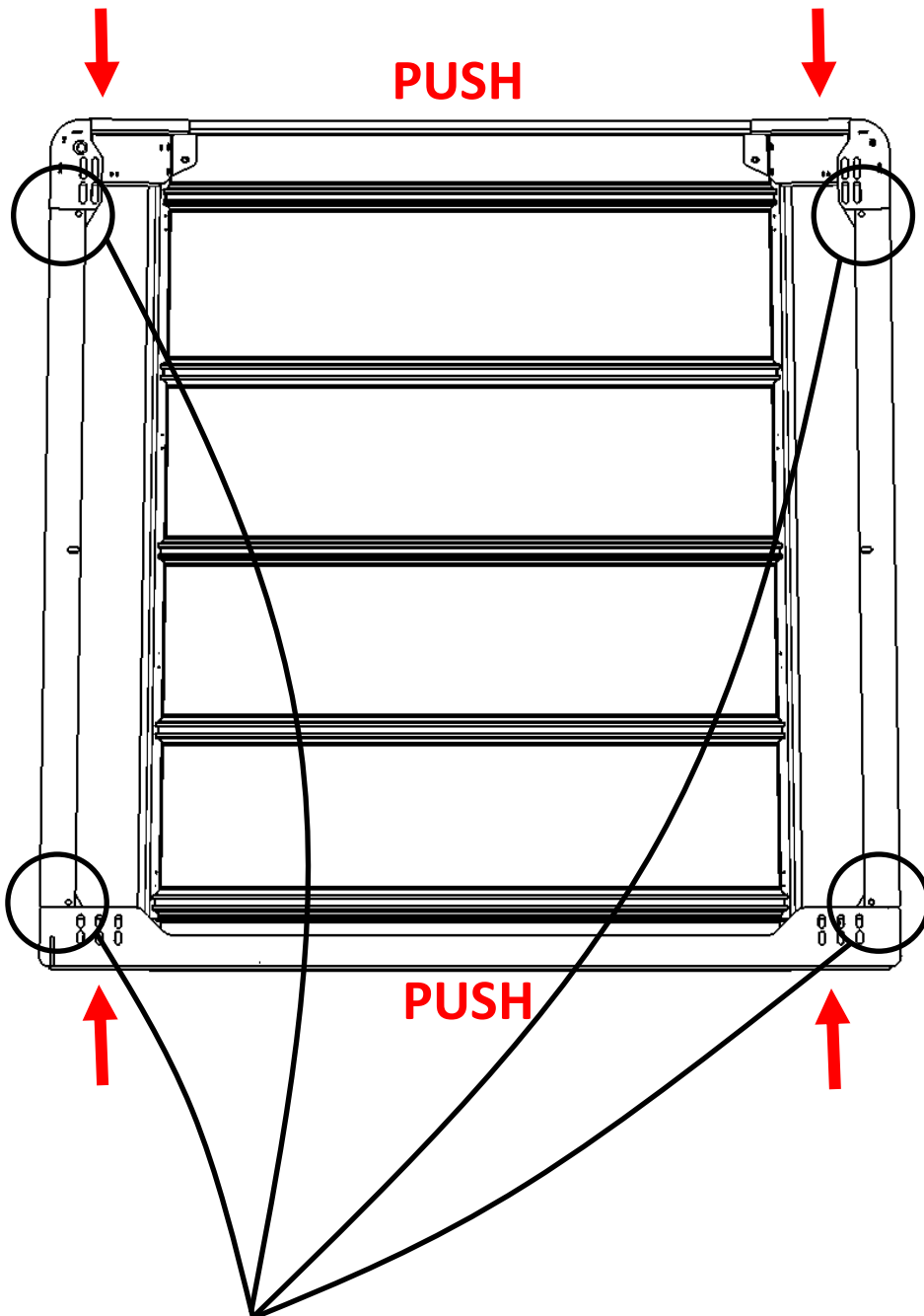


X10 M8



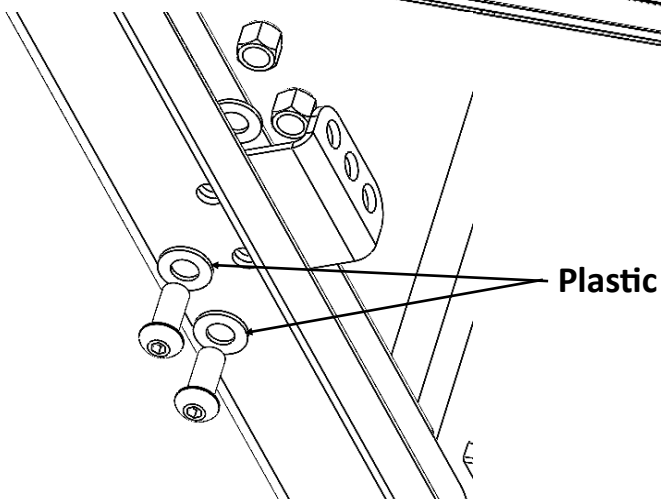
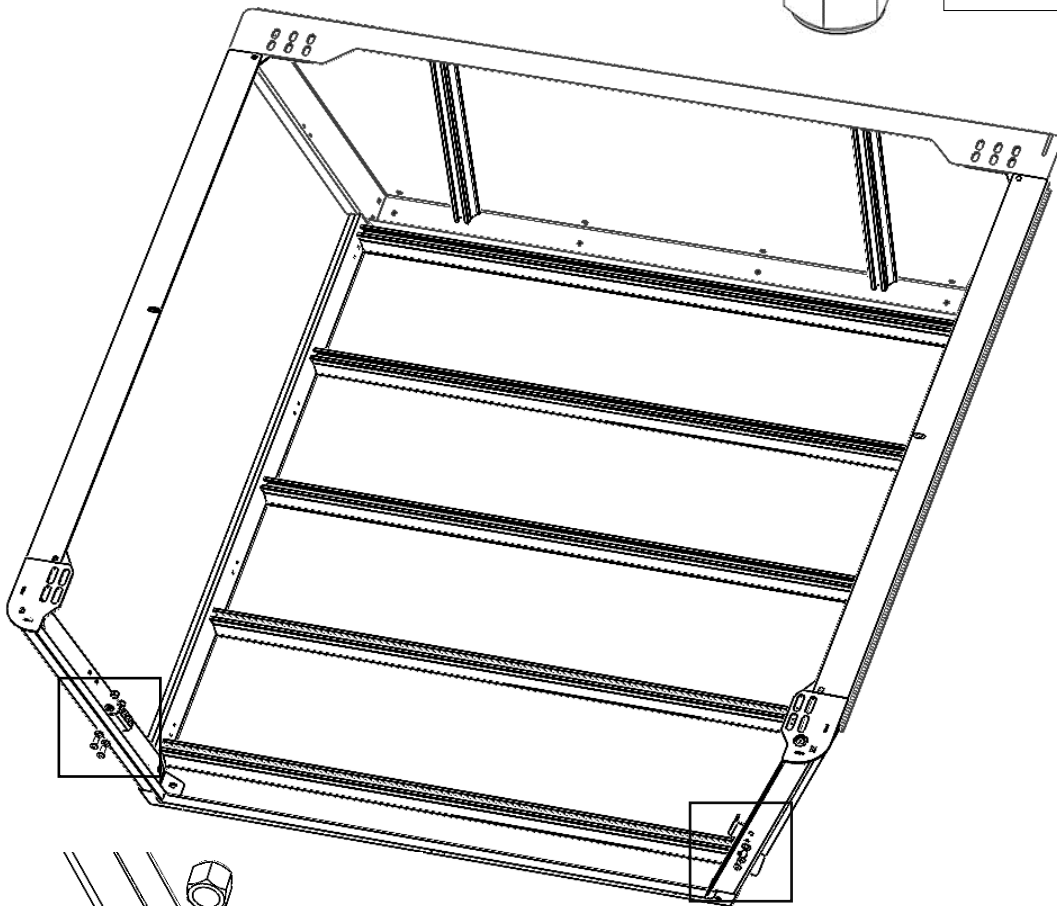
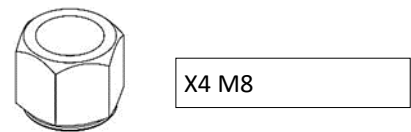
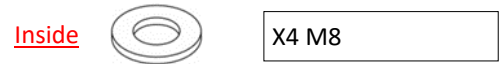
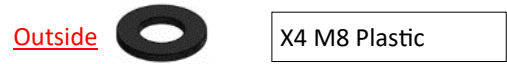
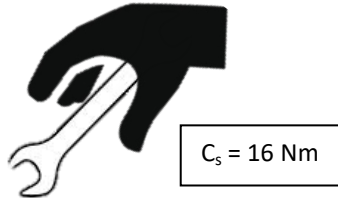
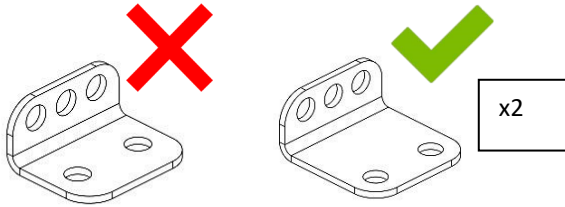
X10 M8

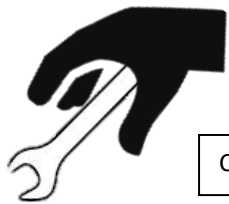
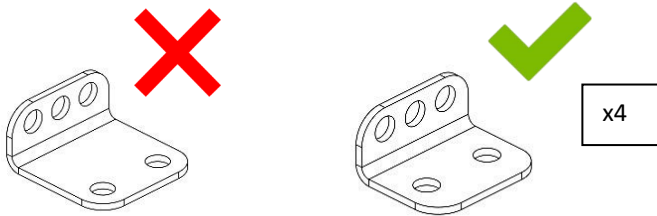




M8 :  $C_s = 16 \text{ Nm}$   
M6 :  $C_s = 7 \text{ Nm}$

**ALL SCREWS**





$C_s = 16 \text{ Nm}$



X8 BHC M8x20



Outside

X8 M8 Plastic

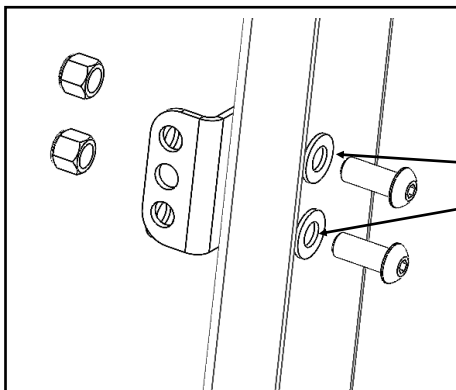


Inside

X8 M8

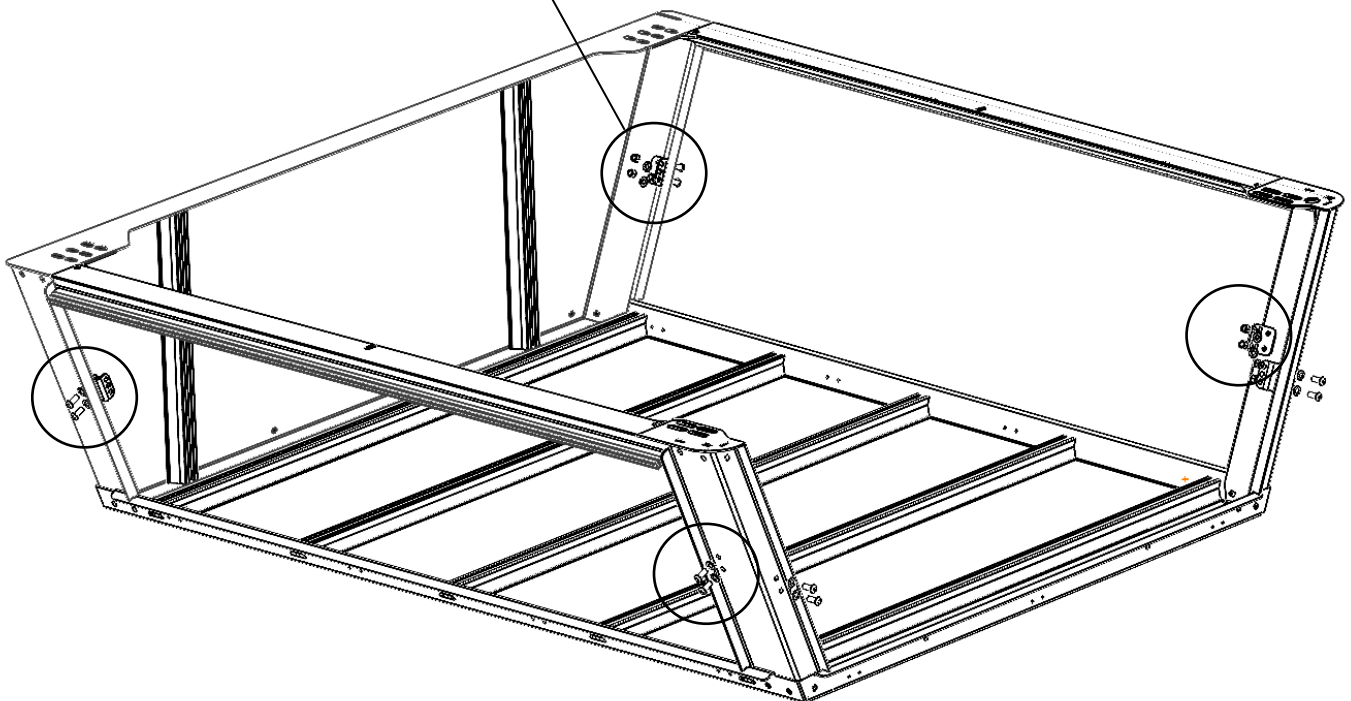


X8 M8

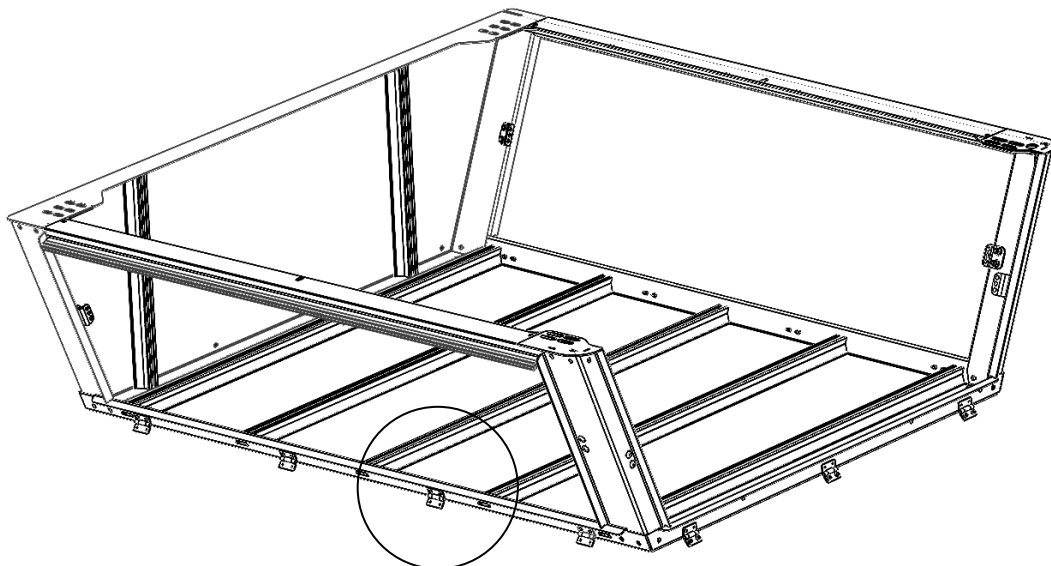
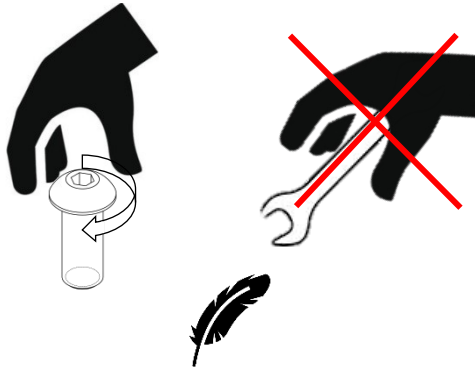
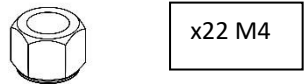
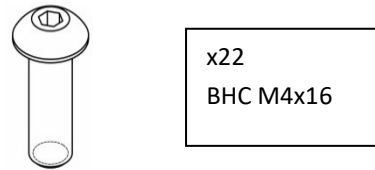
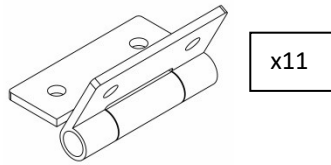


Plastic

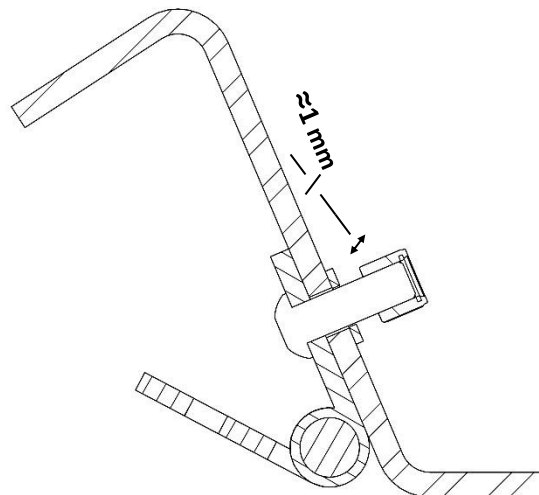
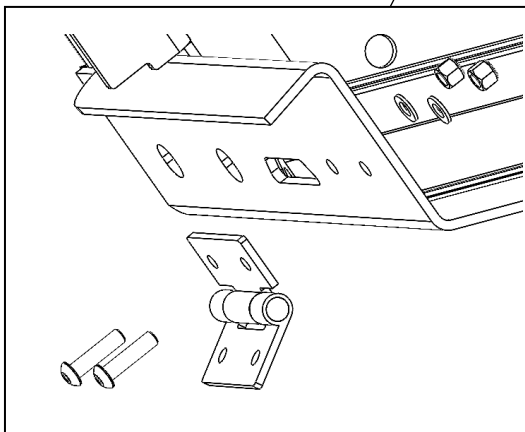
**x4**

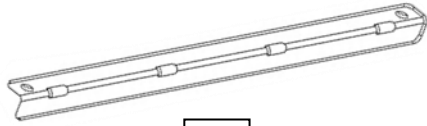




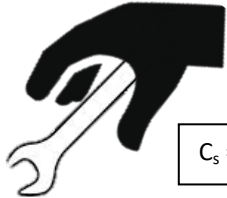


**x11**





x1



$C_s = 16 \text{ Nm}$



X2 BHC M8x20

Outside



X2 M8 Plastic

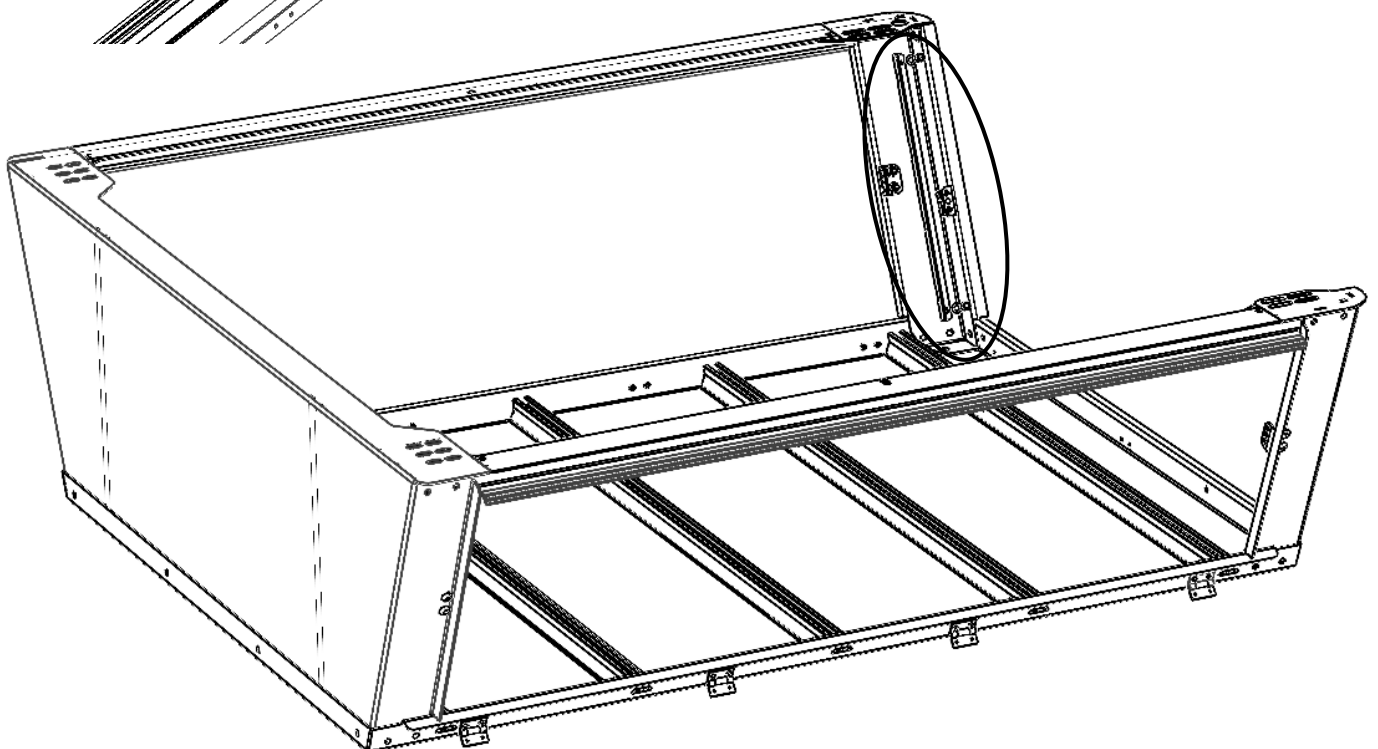
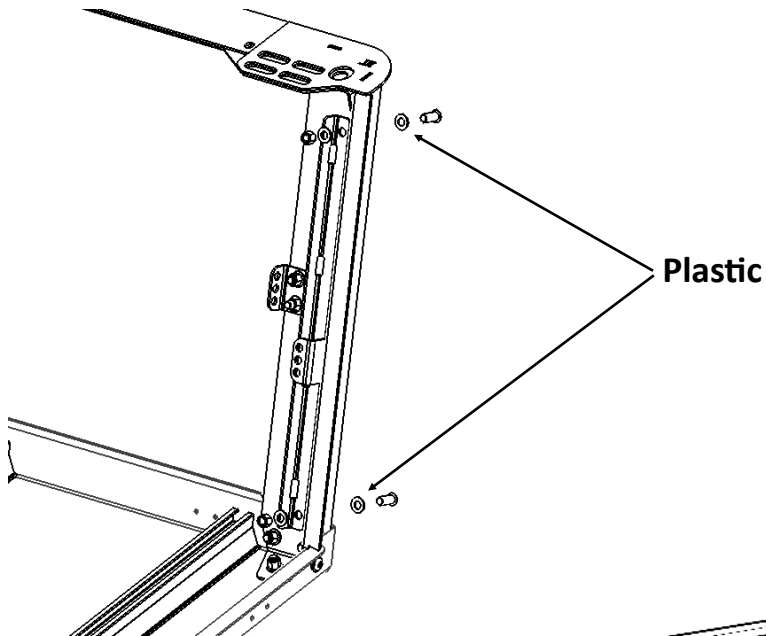
Inside

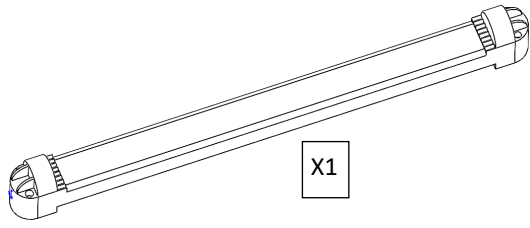


X2 M8



X2 M8





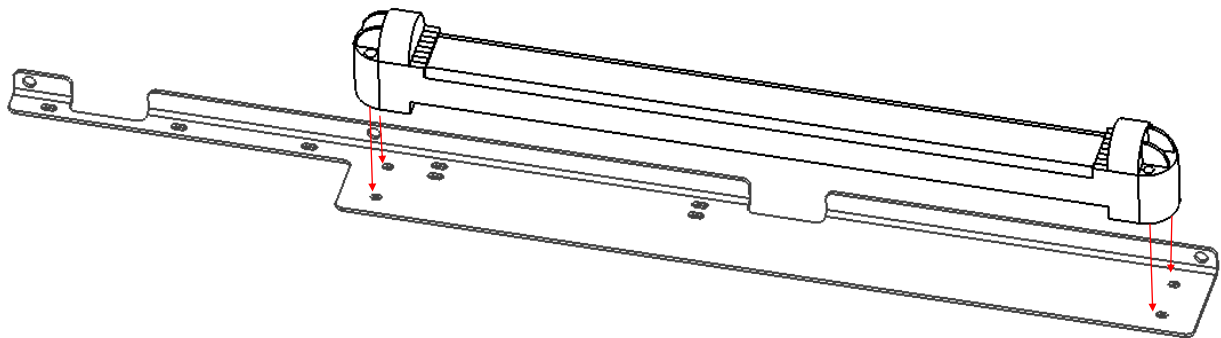
x4  
BHC M4x12

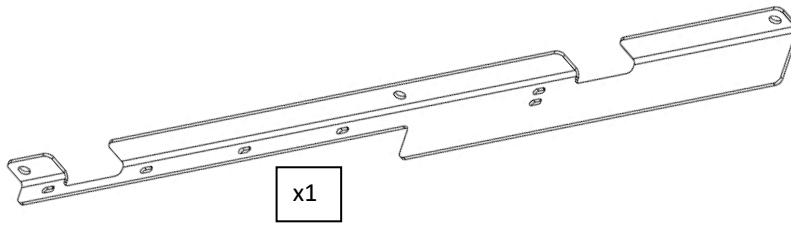


x4 M4



x4 M4

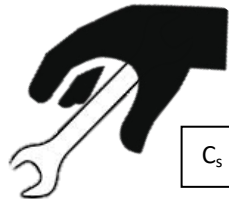




x1



X3 BHC M8x20



$C_s = 16 \text{ Nm}$

Outside



X3 M8 Plastic

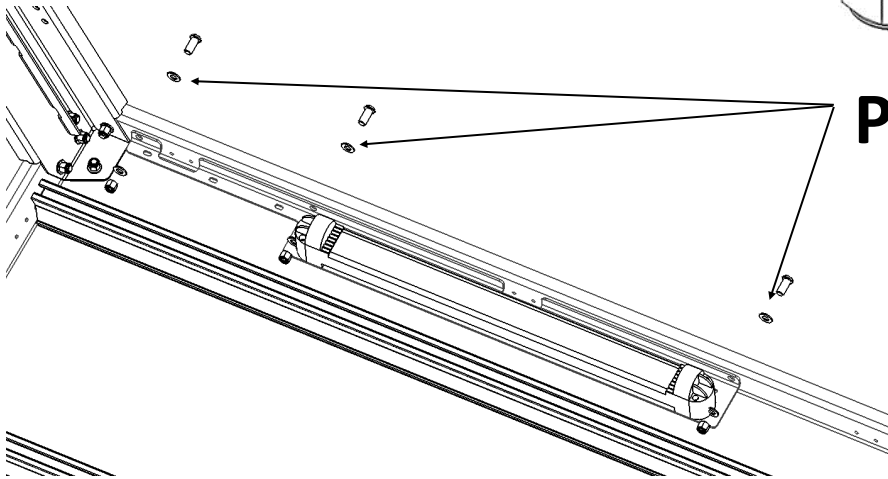
Inside



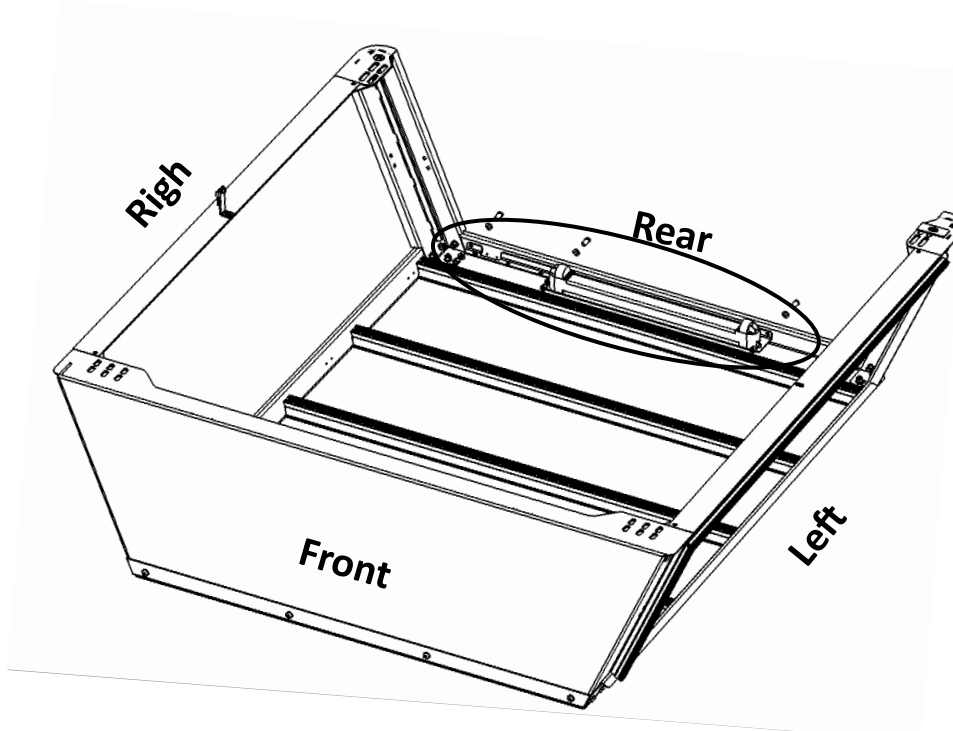
X3M8

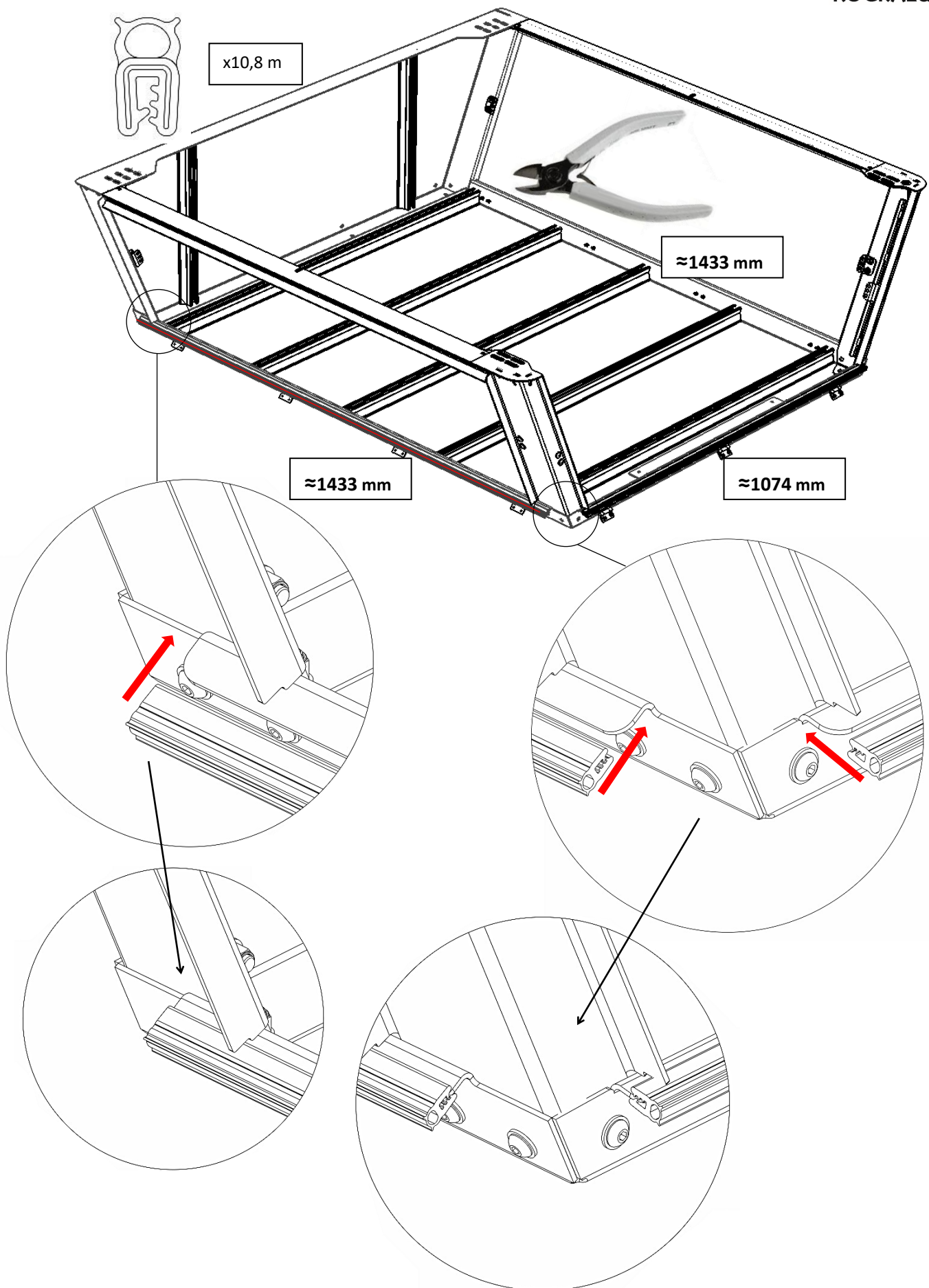


X3 M8

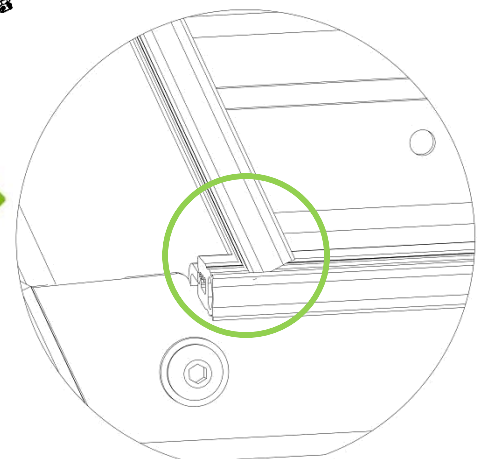
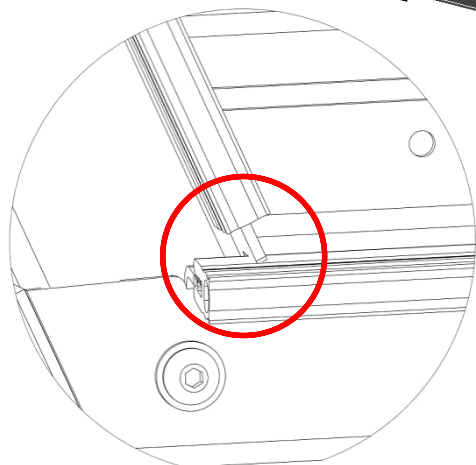
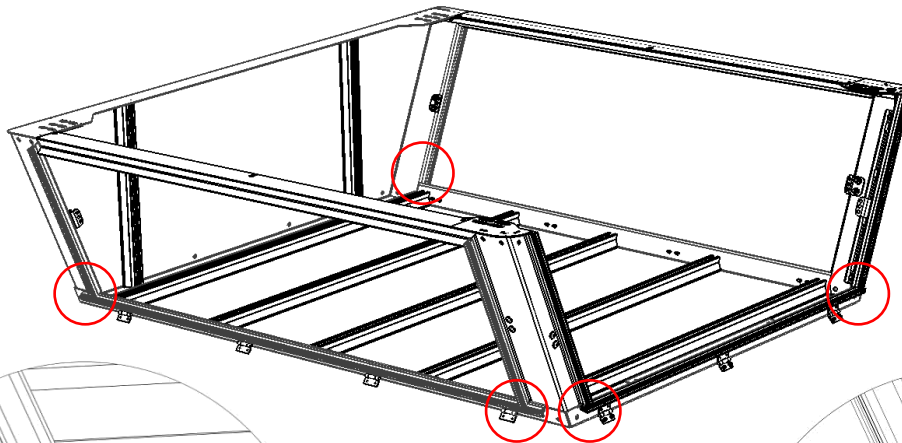
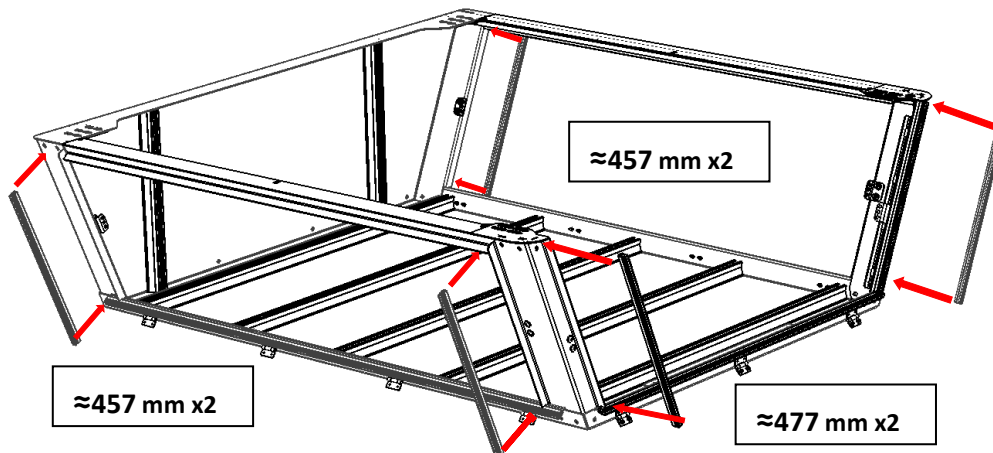
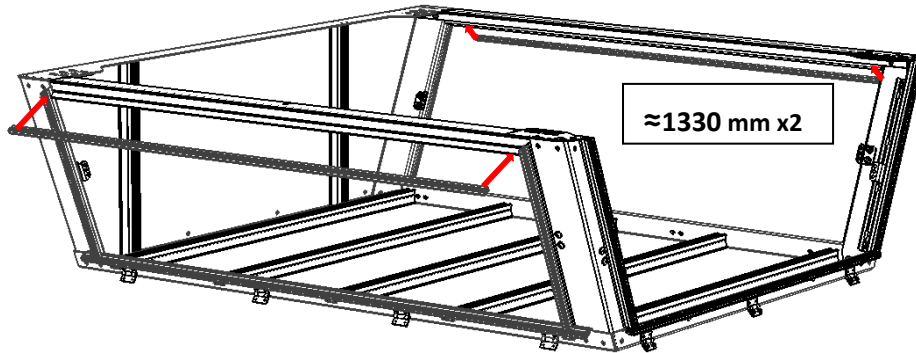


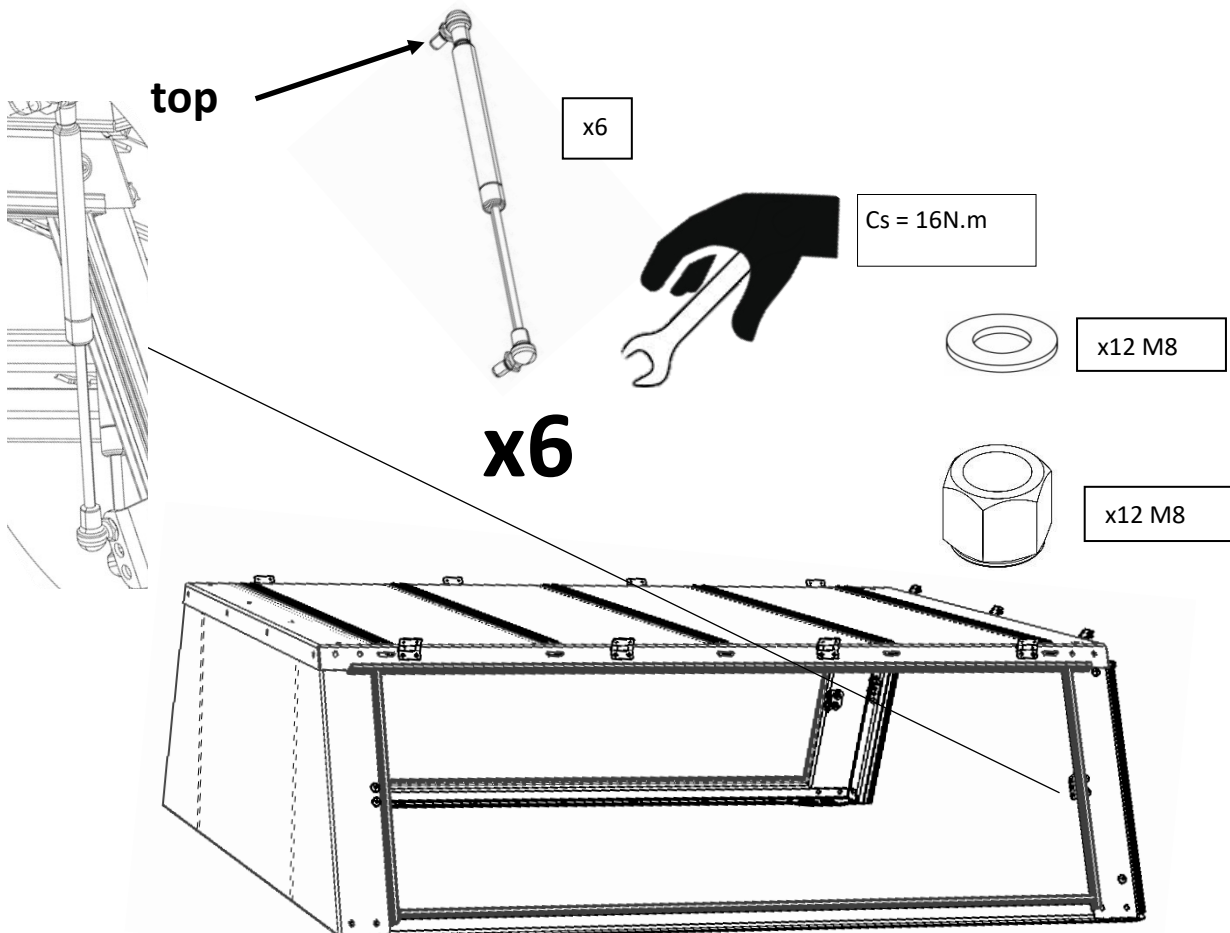
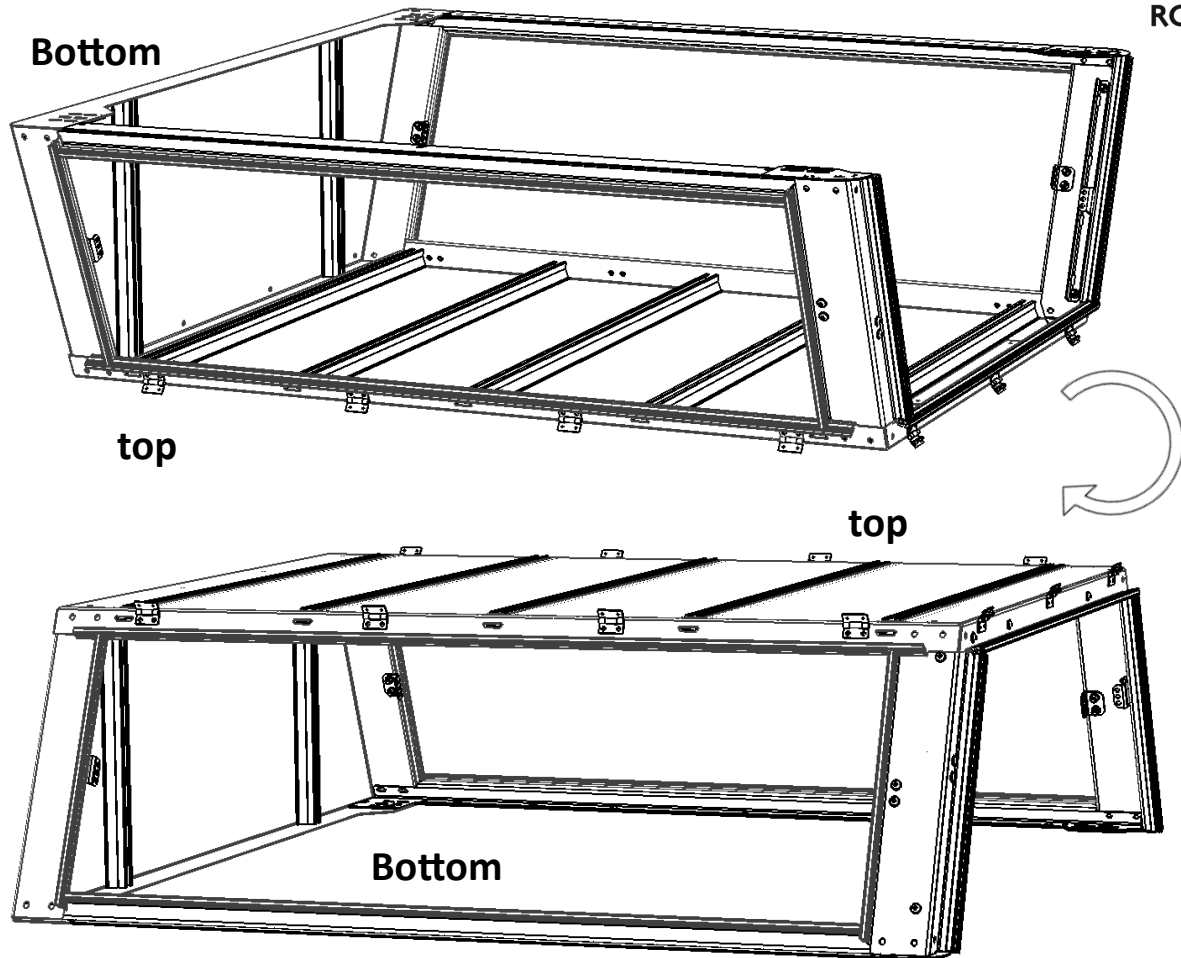
**Plastic**

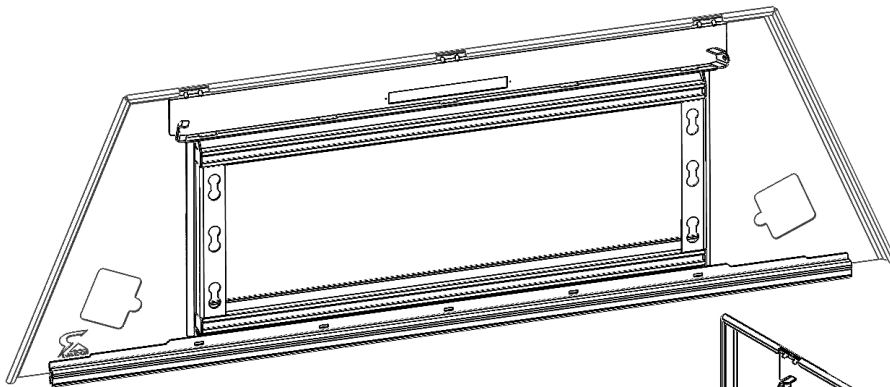




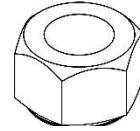




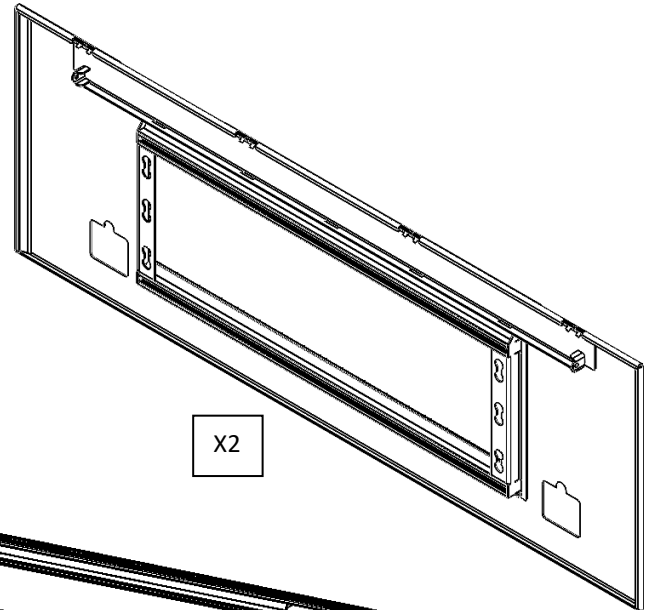
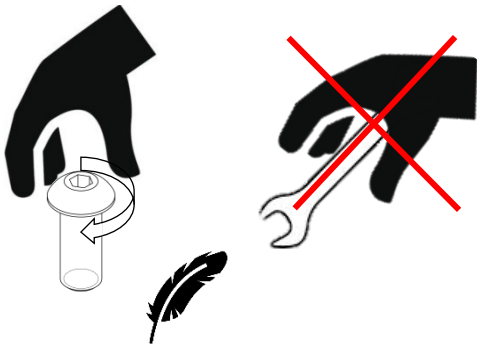




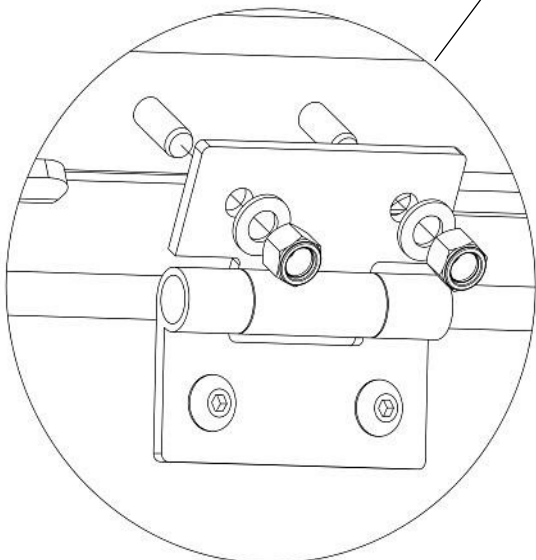
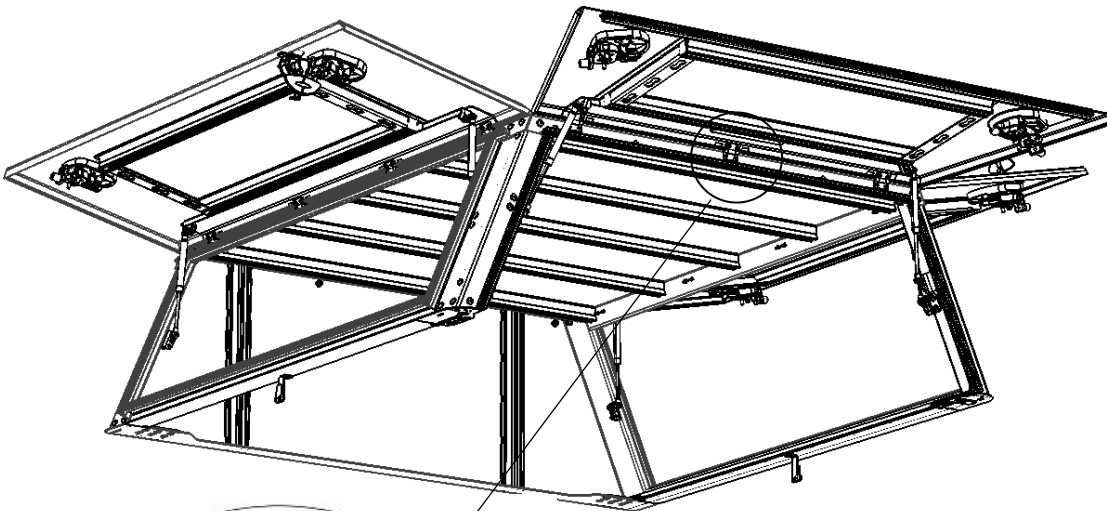
X22 M4



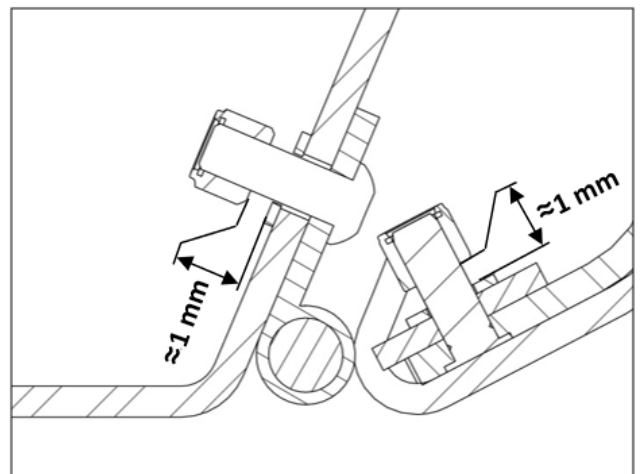
X22 M4

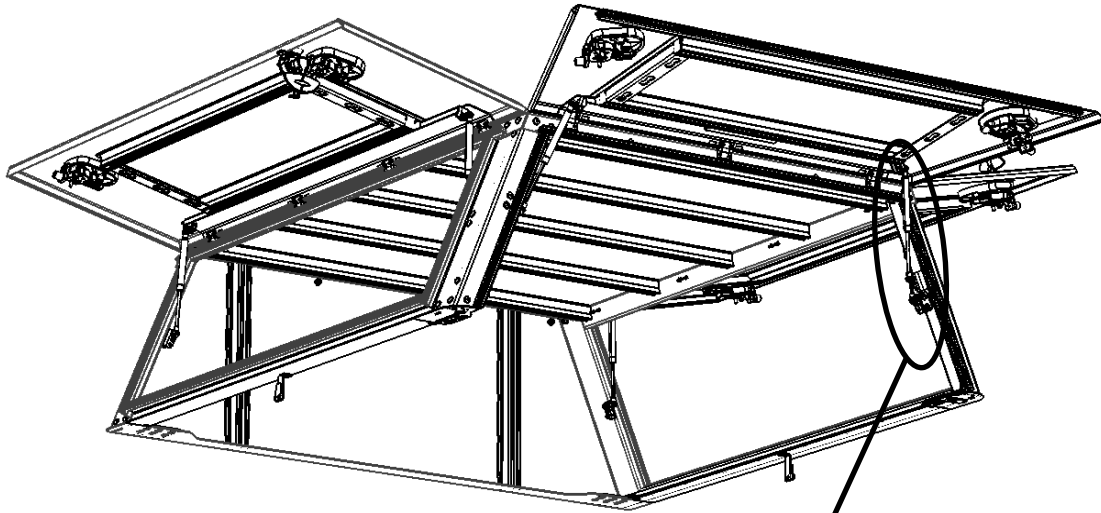


X2

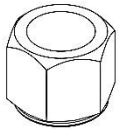


**x11**

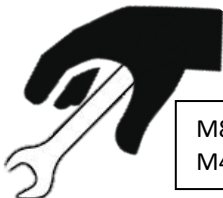
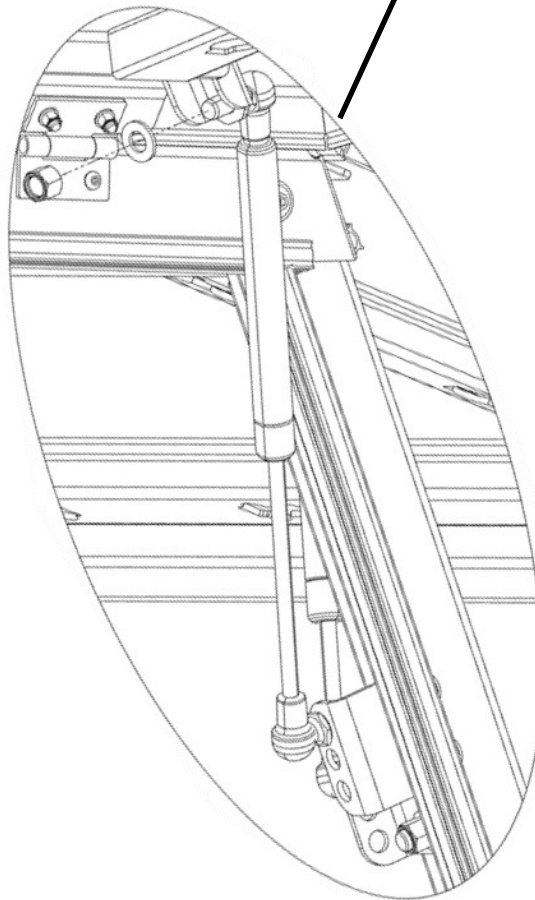




x12 M8

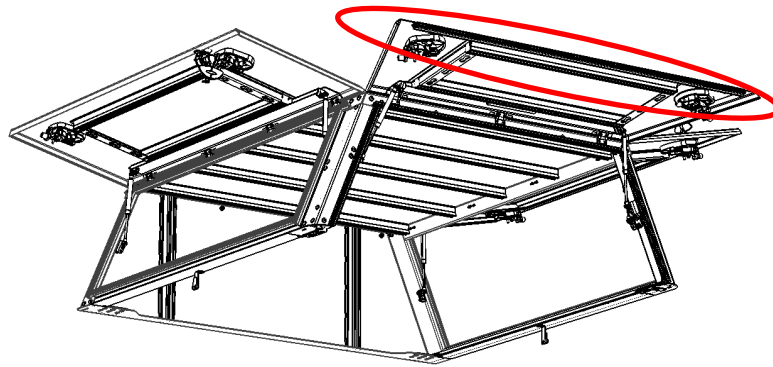


x12 M8

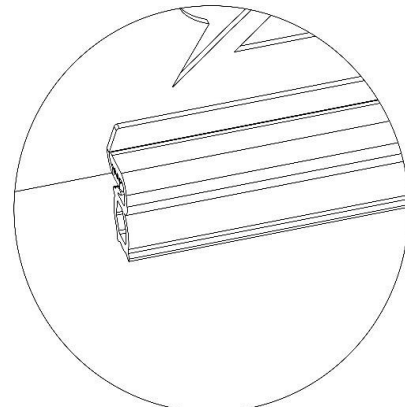
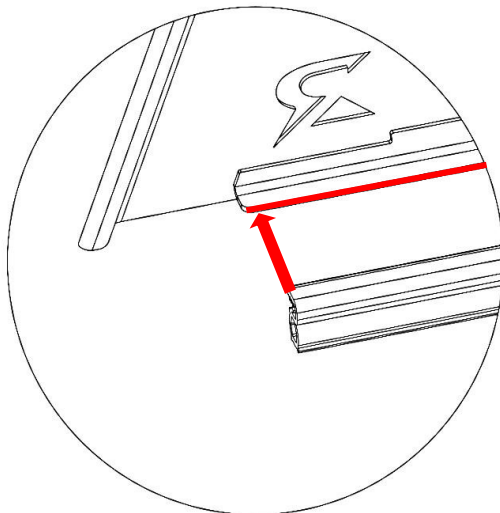
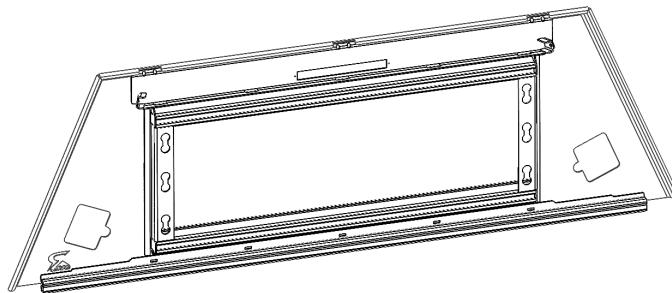
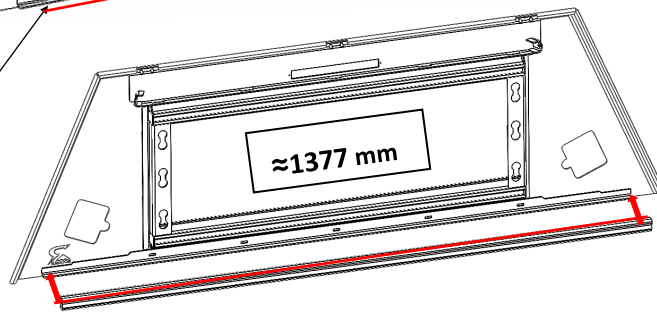
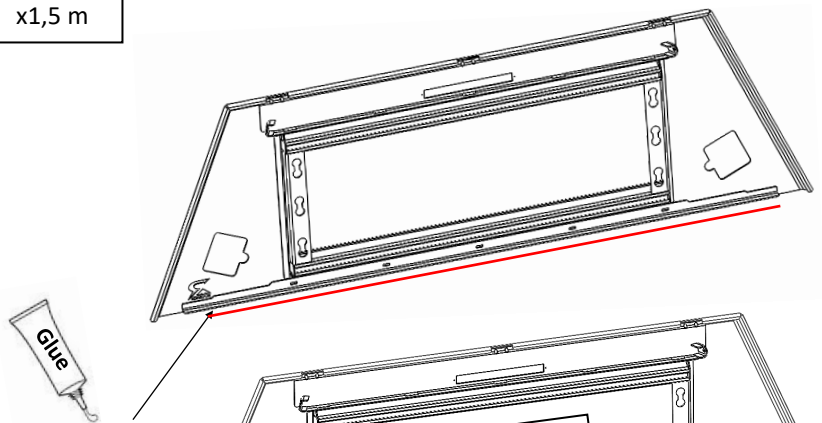


M8 :  $C_s = 16 \text{ Nm}$   
M4 :  $C_s = 3 \text{ Nm}$

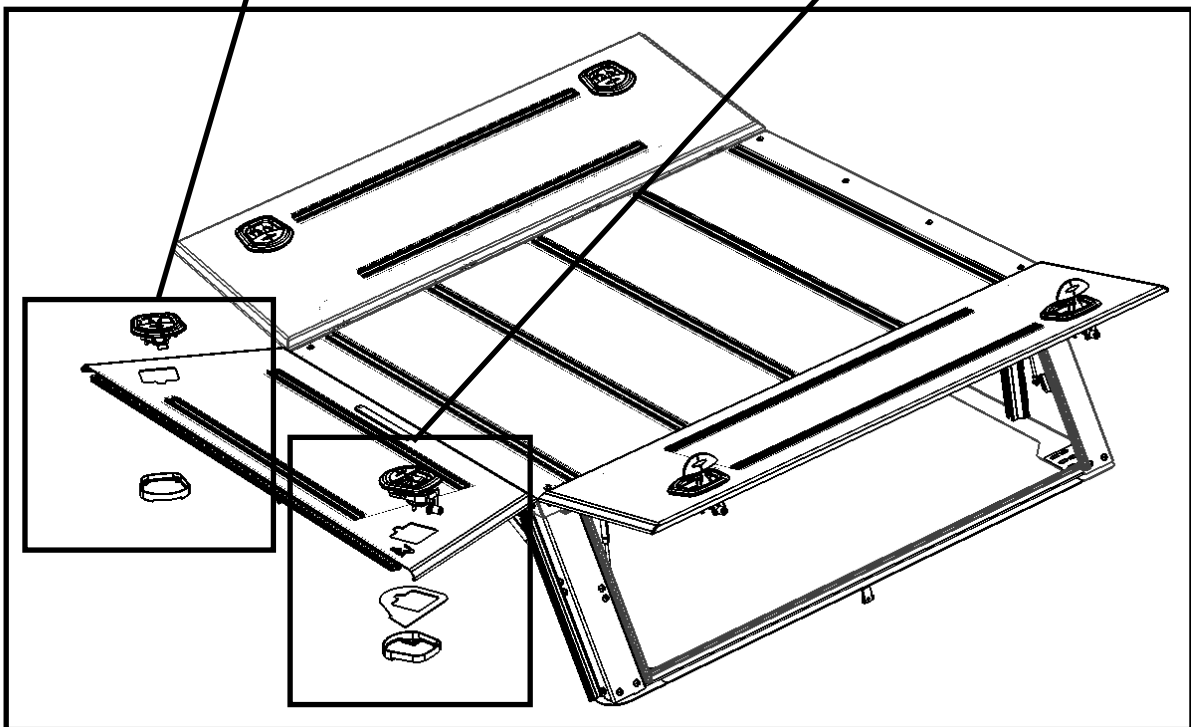
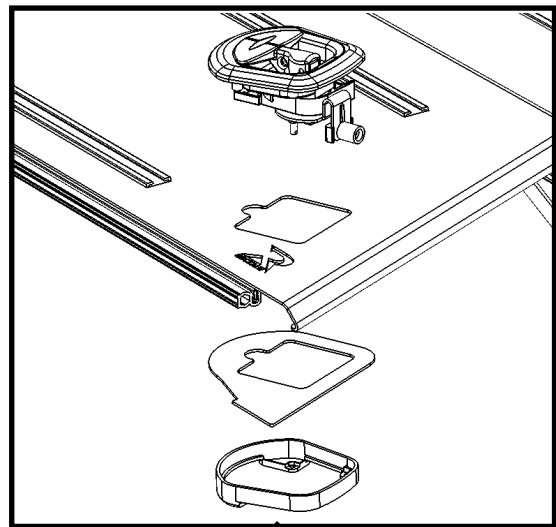
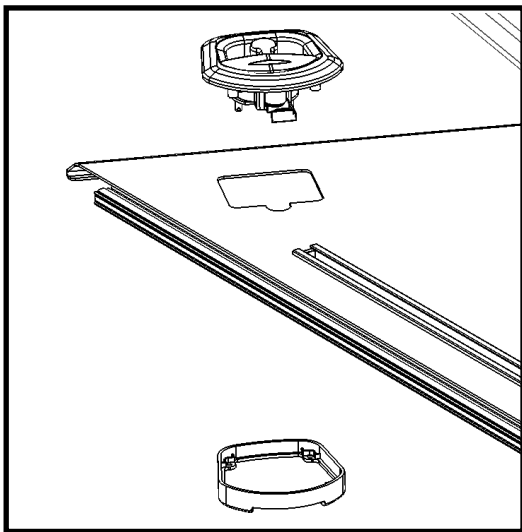
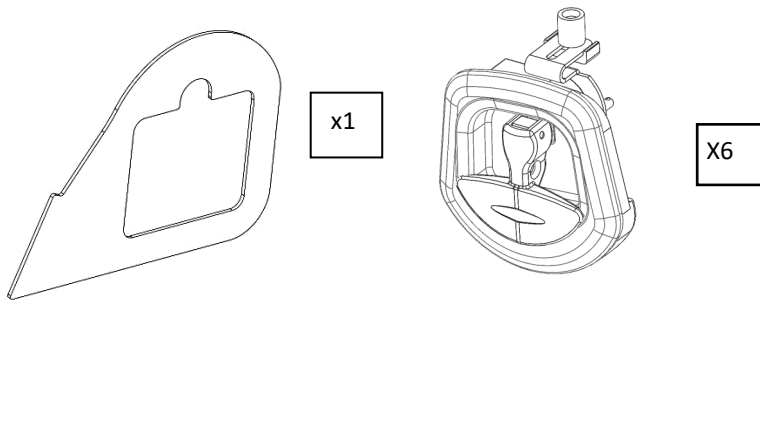
**ALL SCREWS**



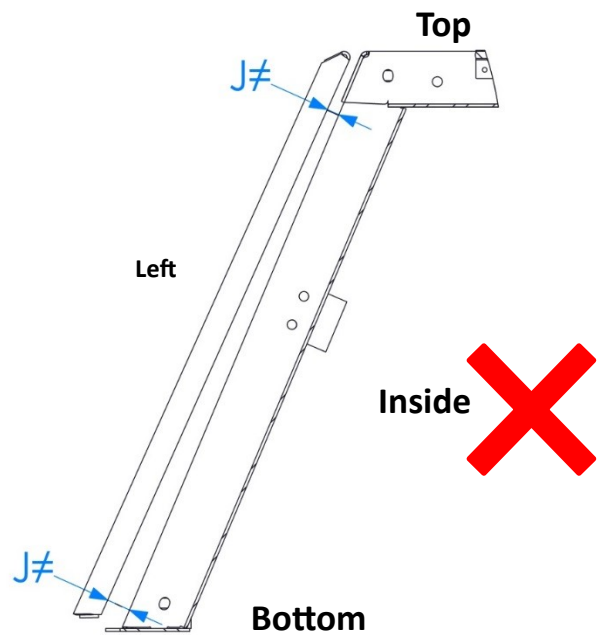
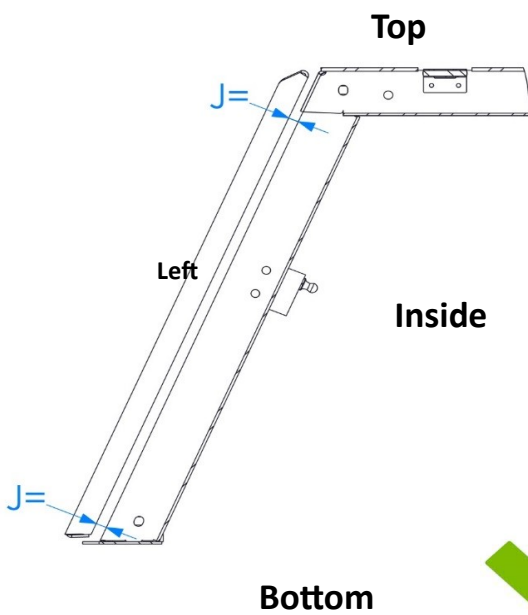
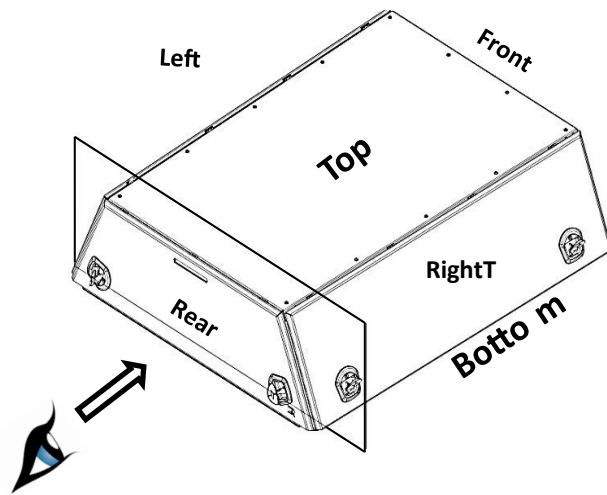
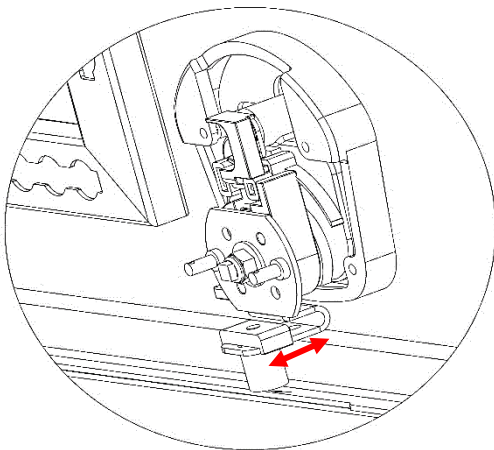
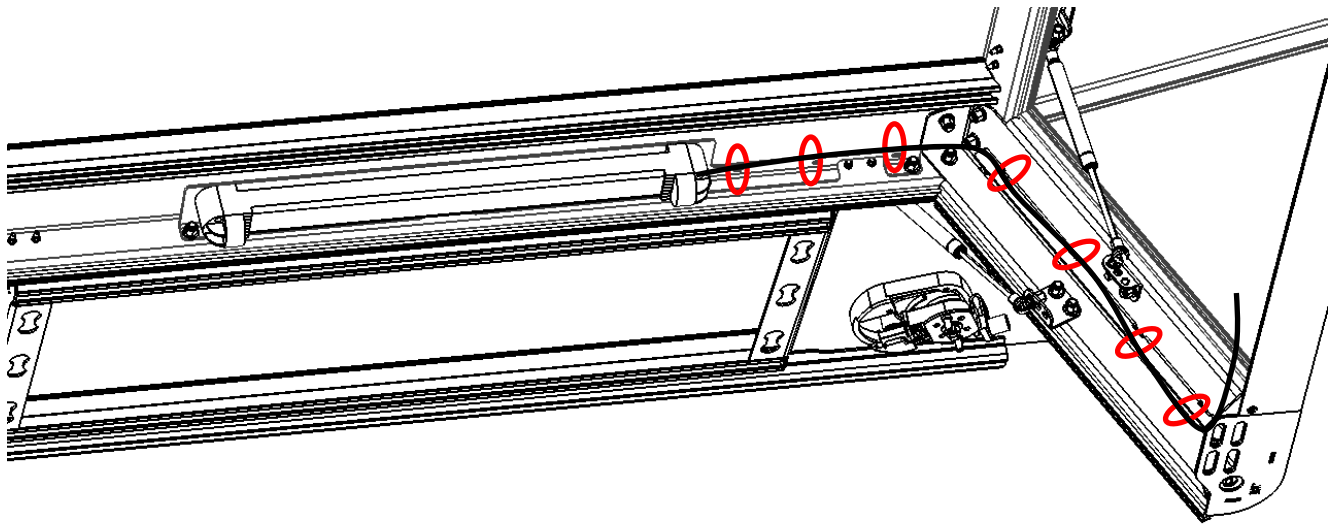
x1,5 m







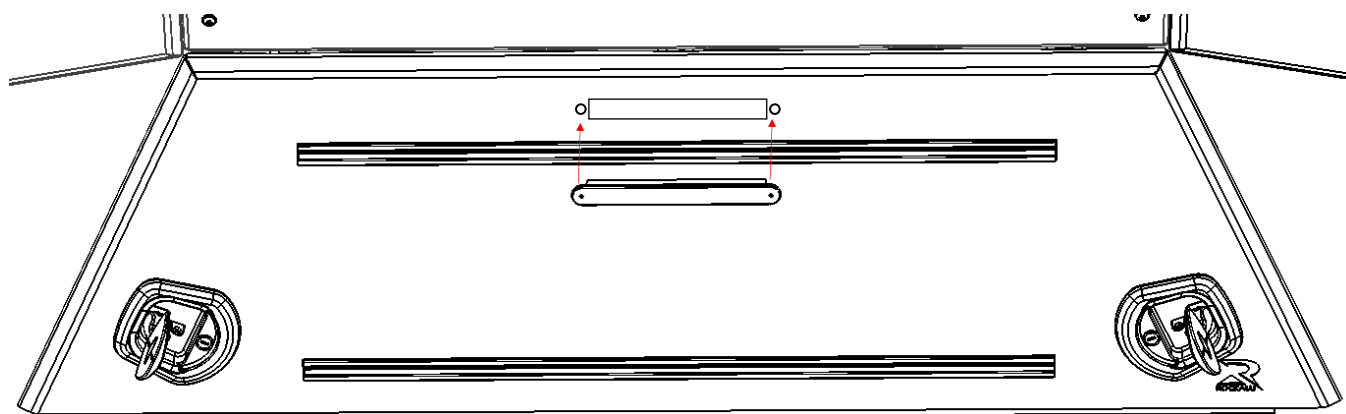
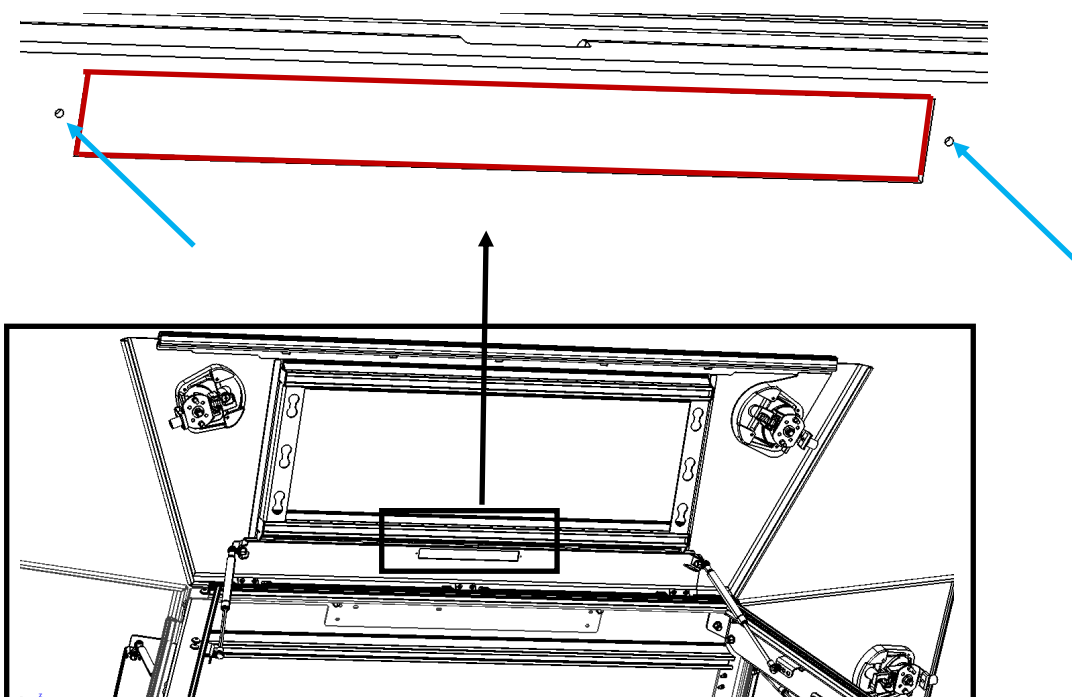
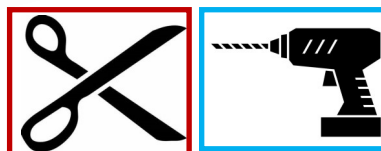
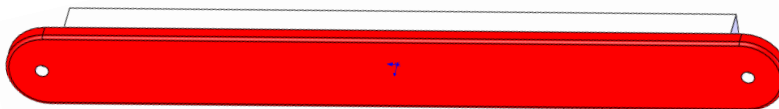




Option :

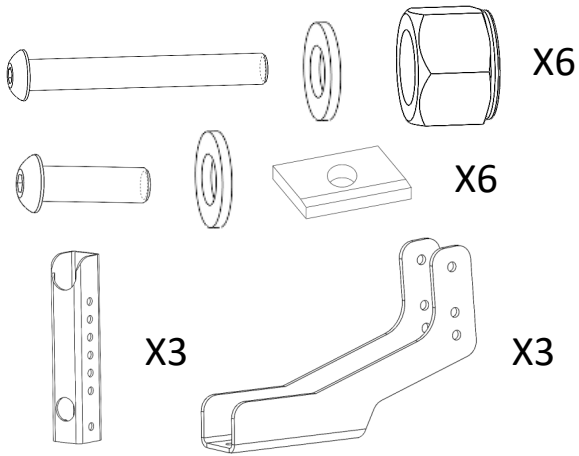


ONLY FOR :

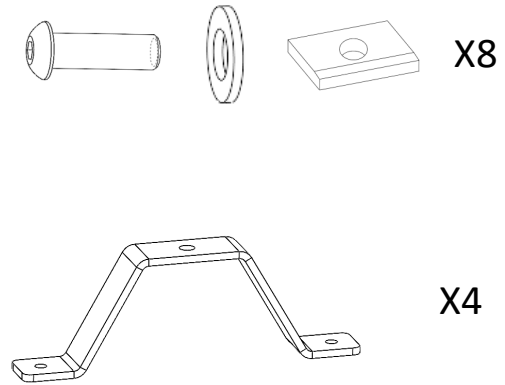


# ASSEMBLY

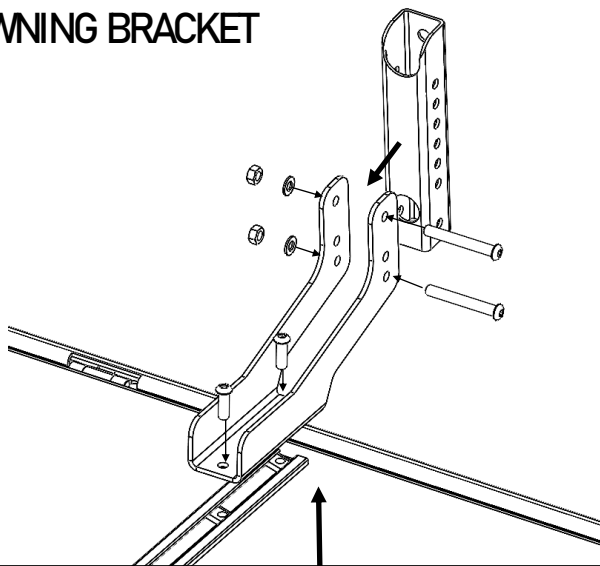
## AWNING BRACKET



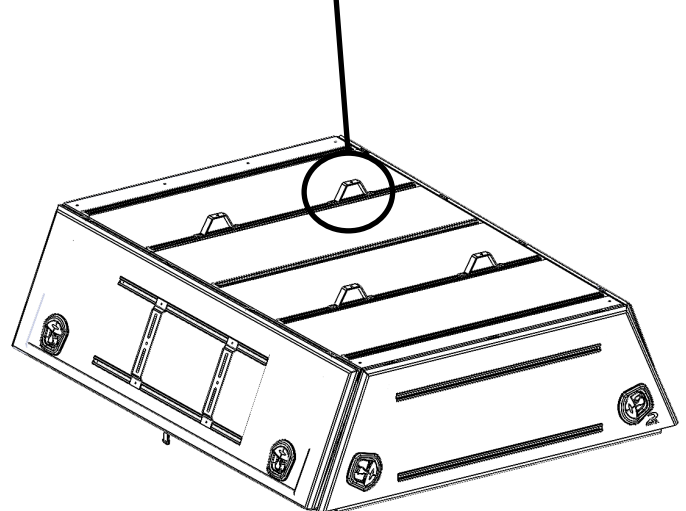
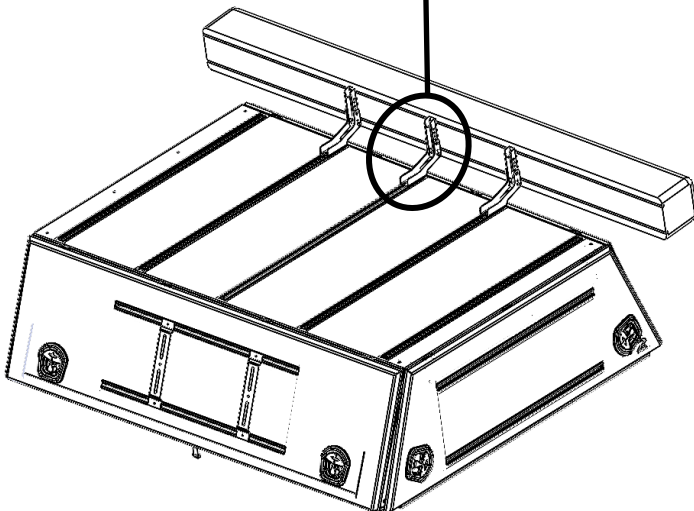
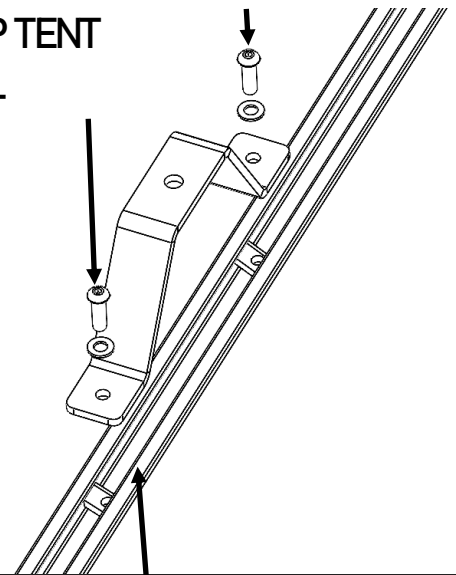
## ROOFTOP TENT BRACKET



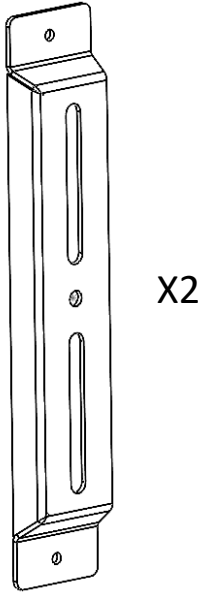
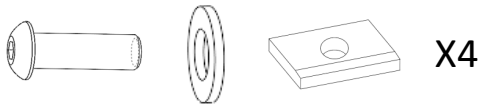
## AWNING BRACKET



## ROOFTOP TENT BRACKET



### ACCESSORIES BRACKET



FRONT OF VEHICLE

