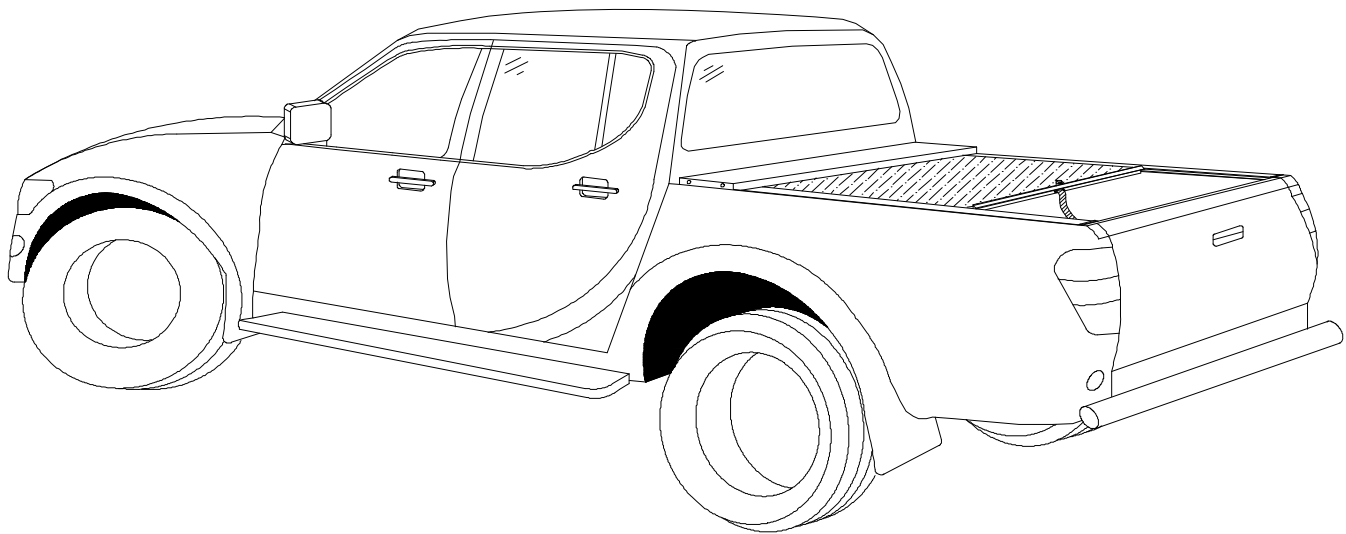




INSTALLATION GUIDE

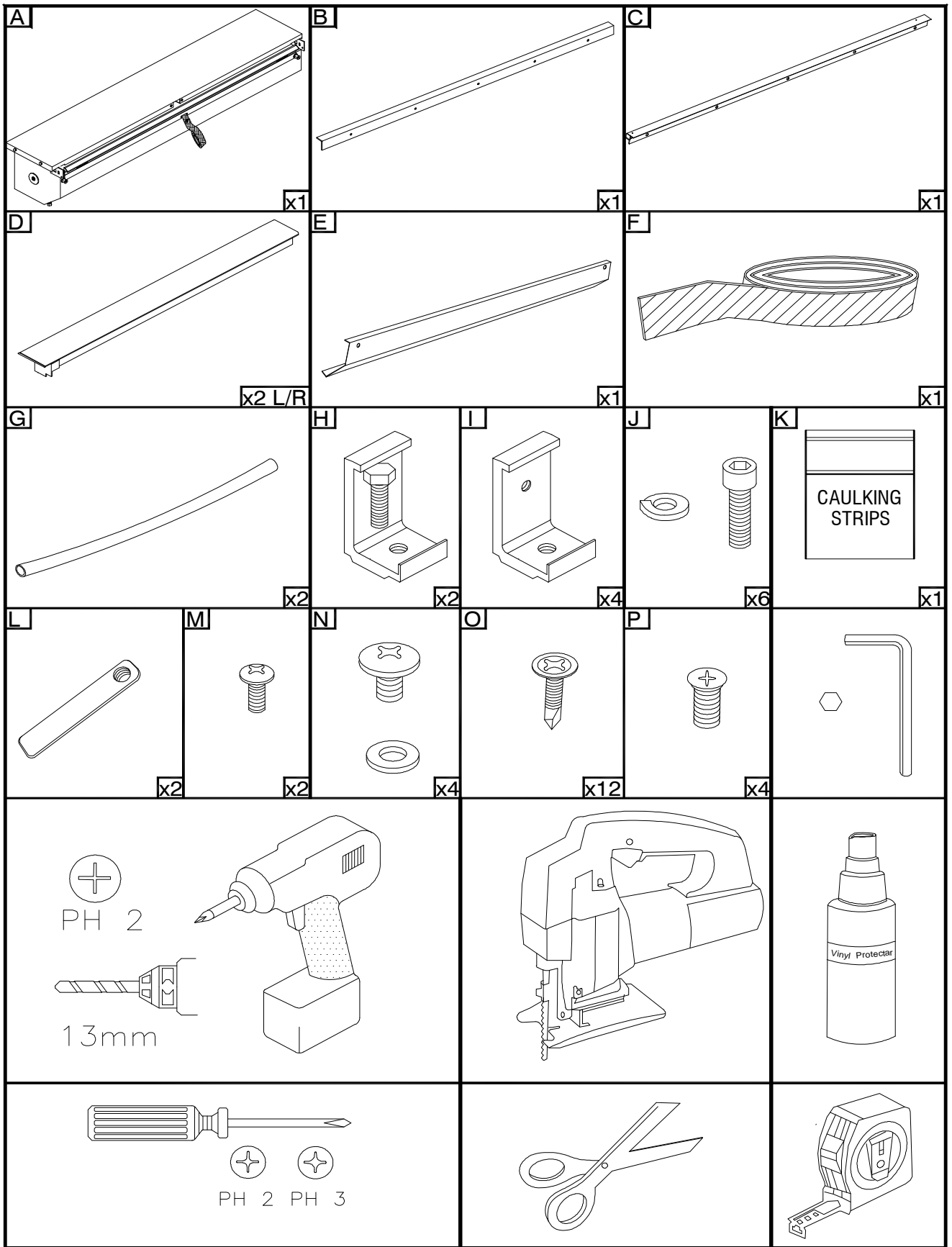
2009 - CURRENT
MITSUBISHI L200 DOUBLE CAB

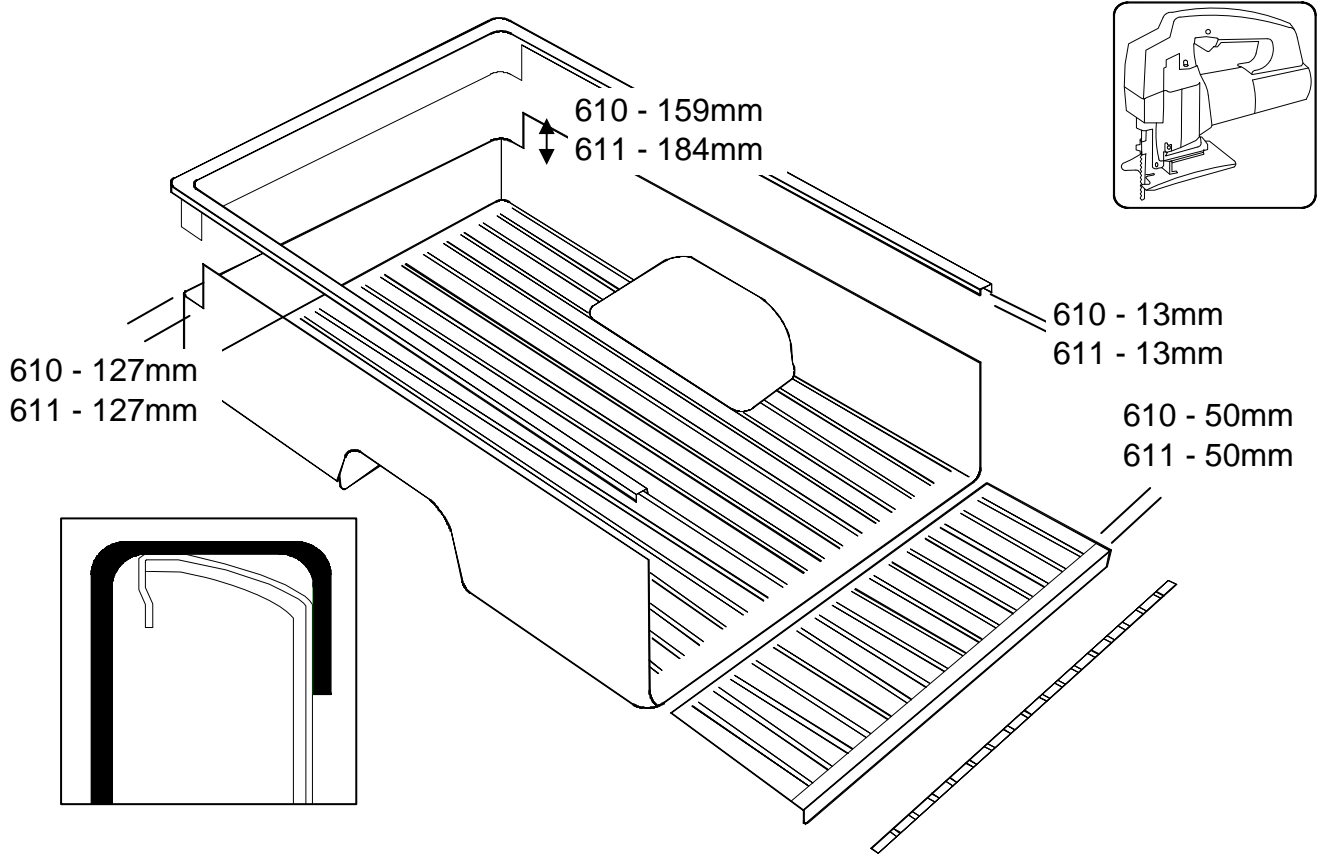
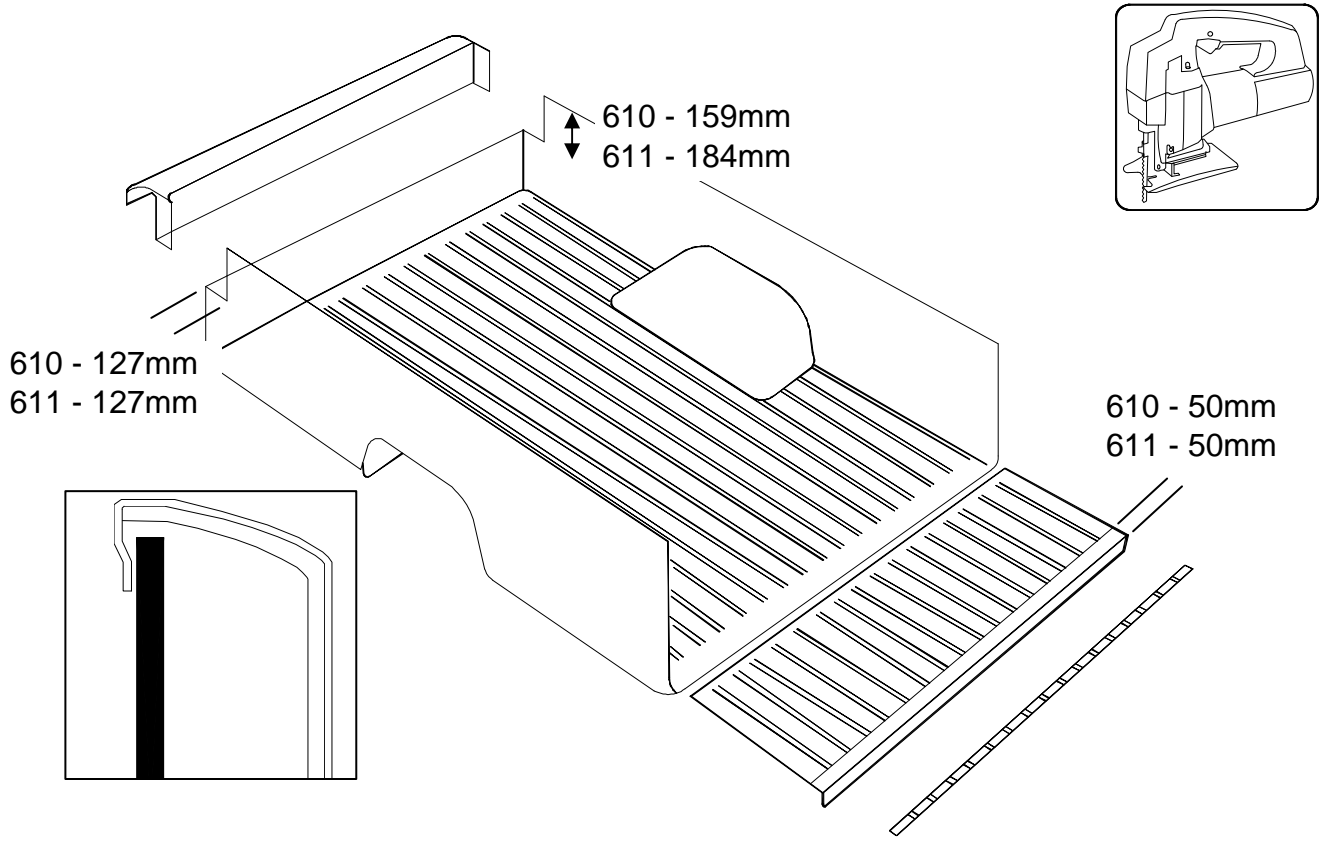


PRODUCT CODE:
610, 611

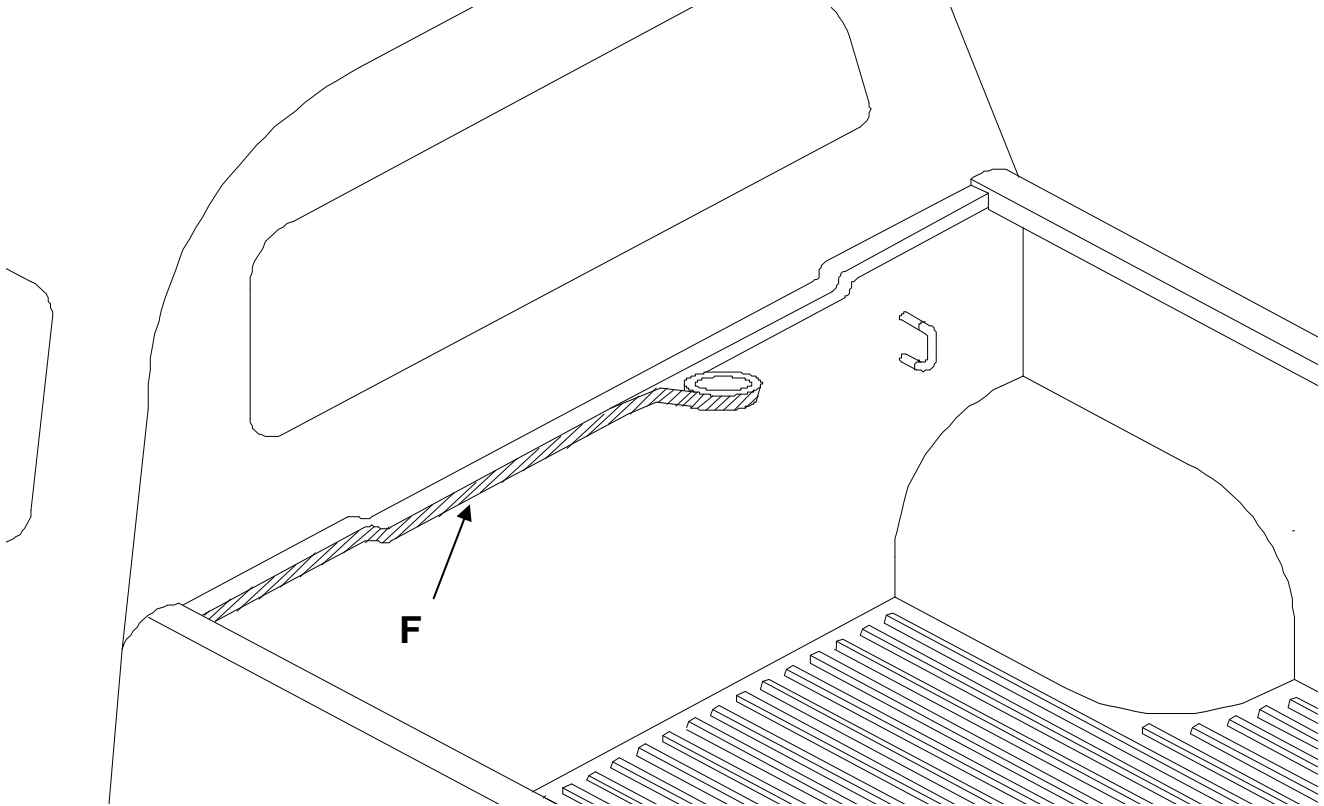
May 23, 2011

www.rollnlock.com

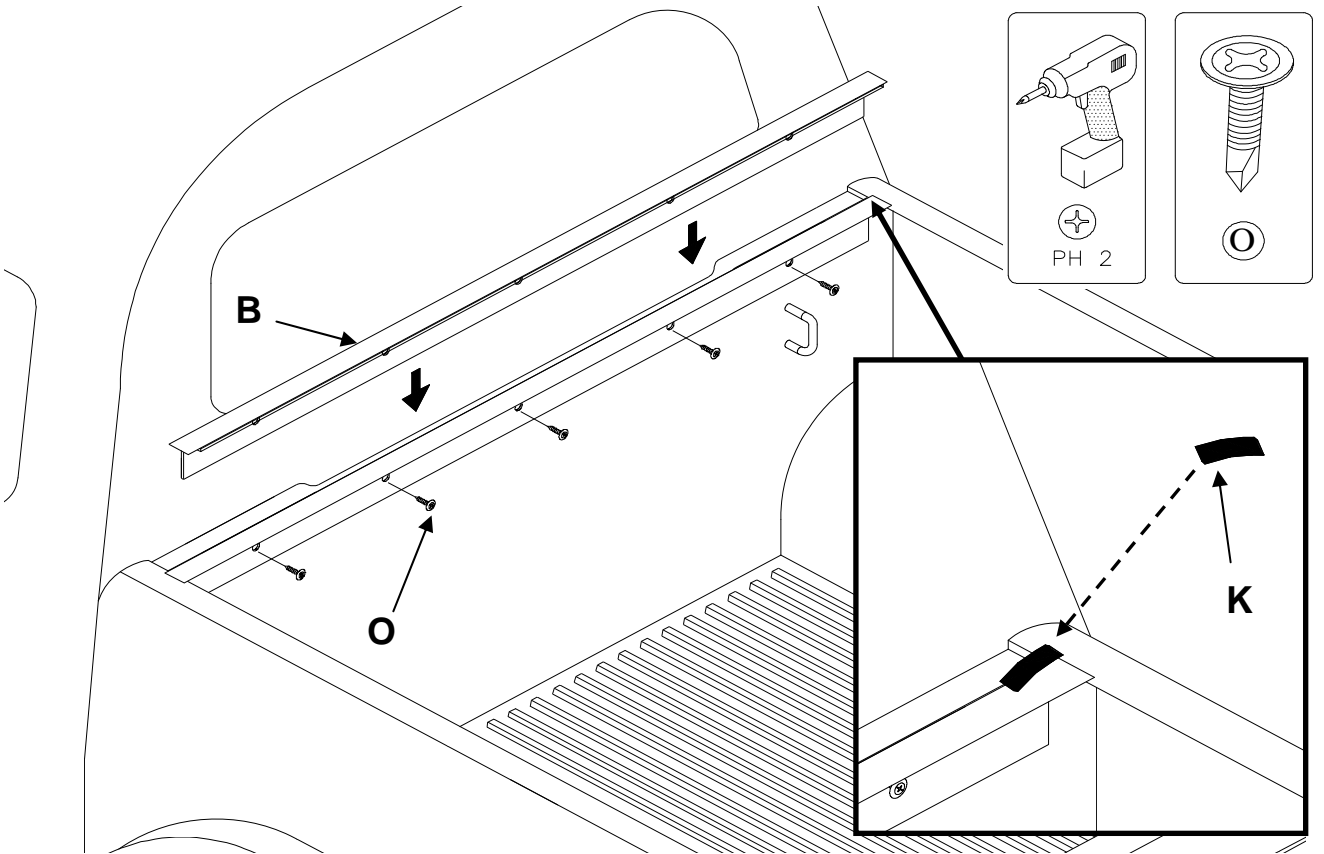




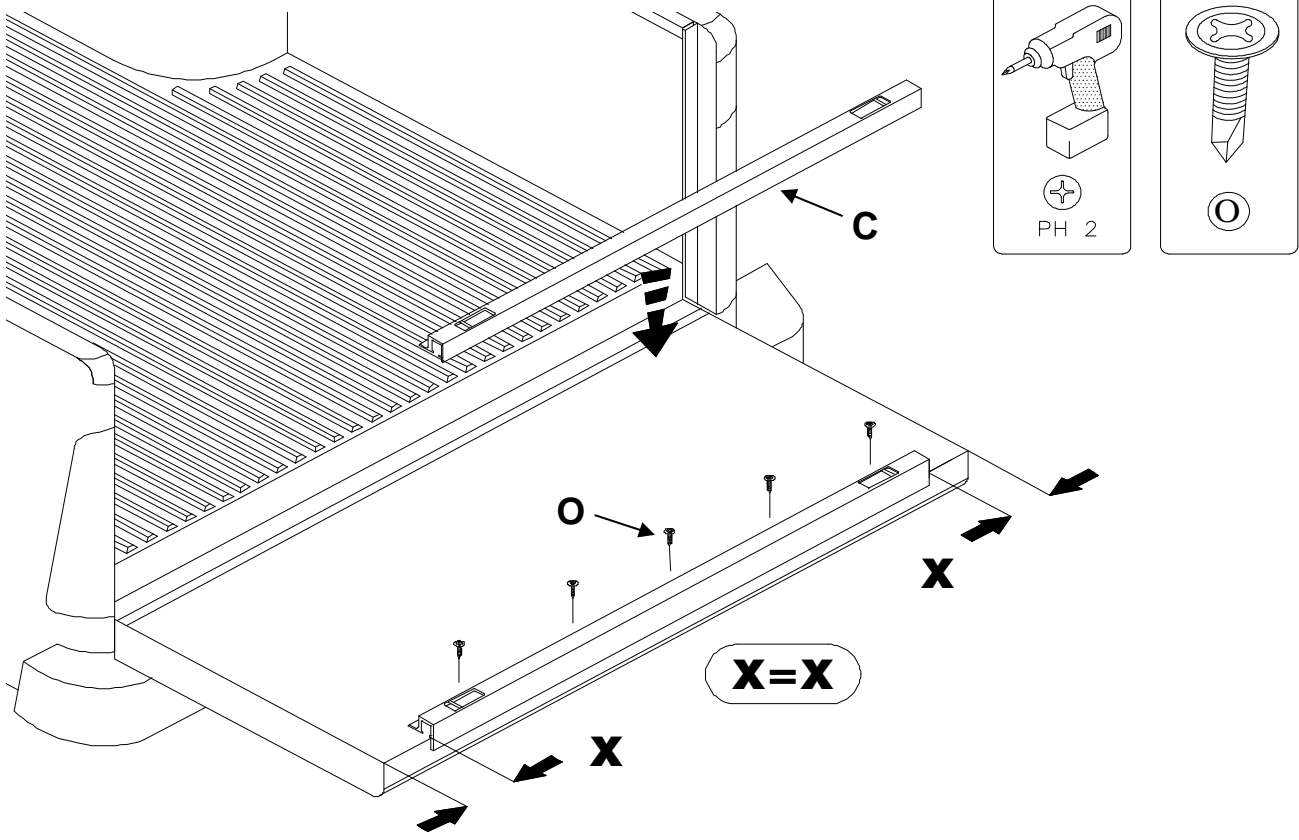
1



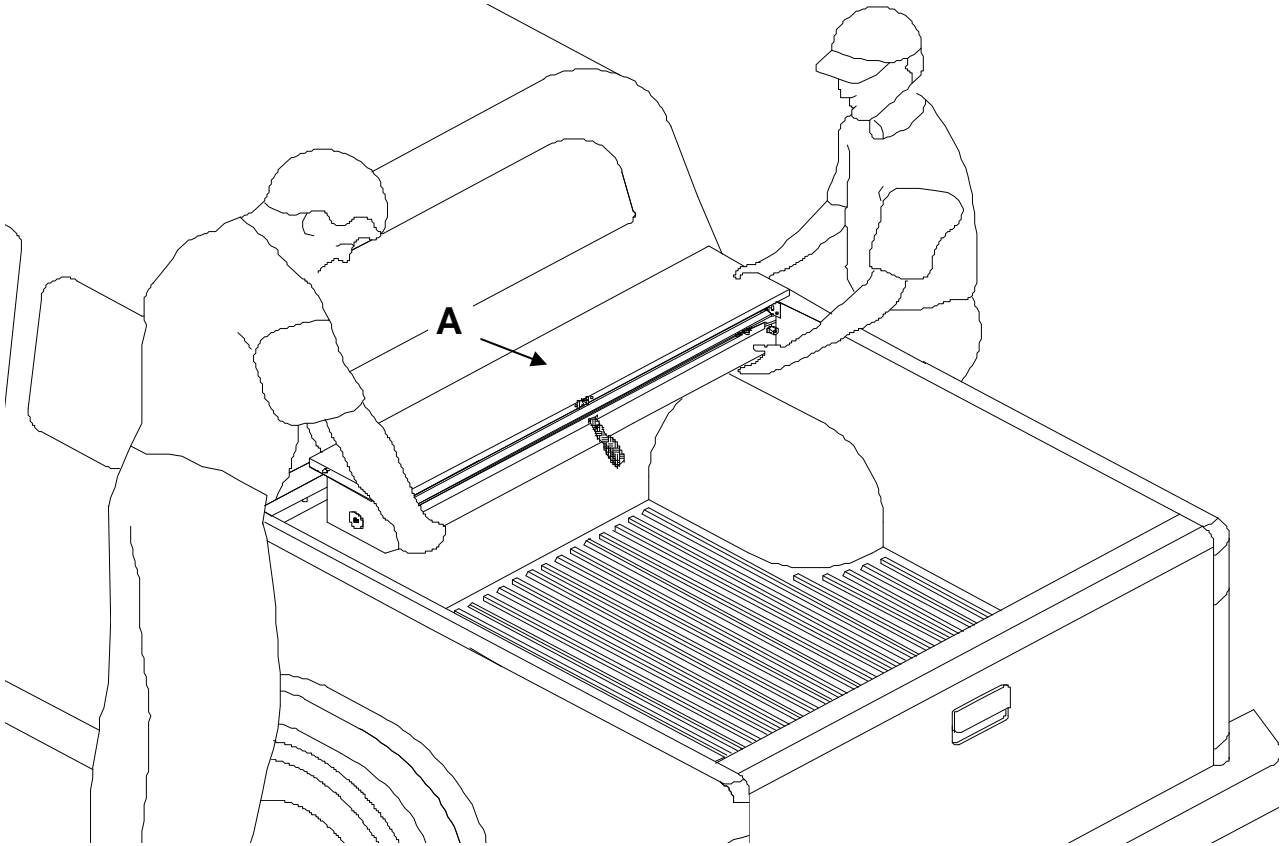
2



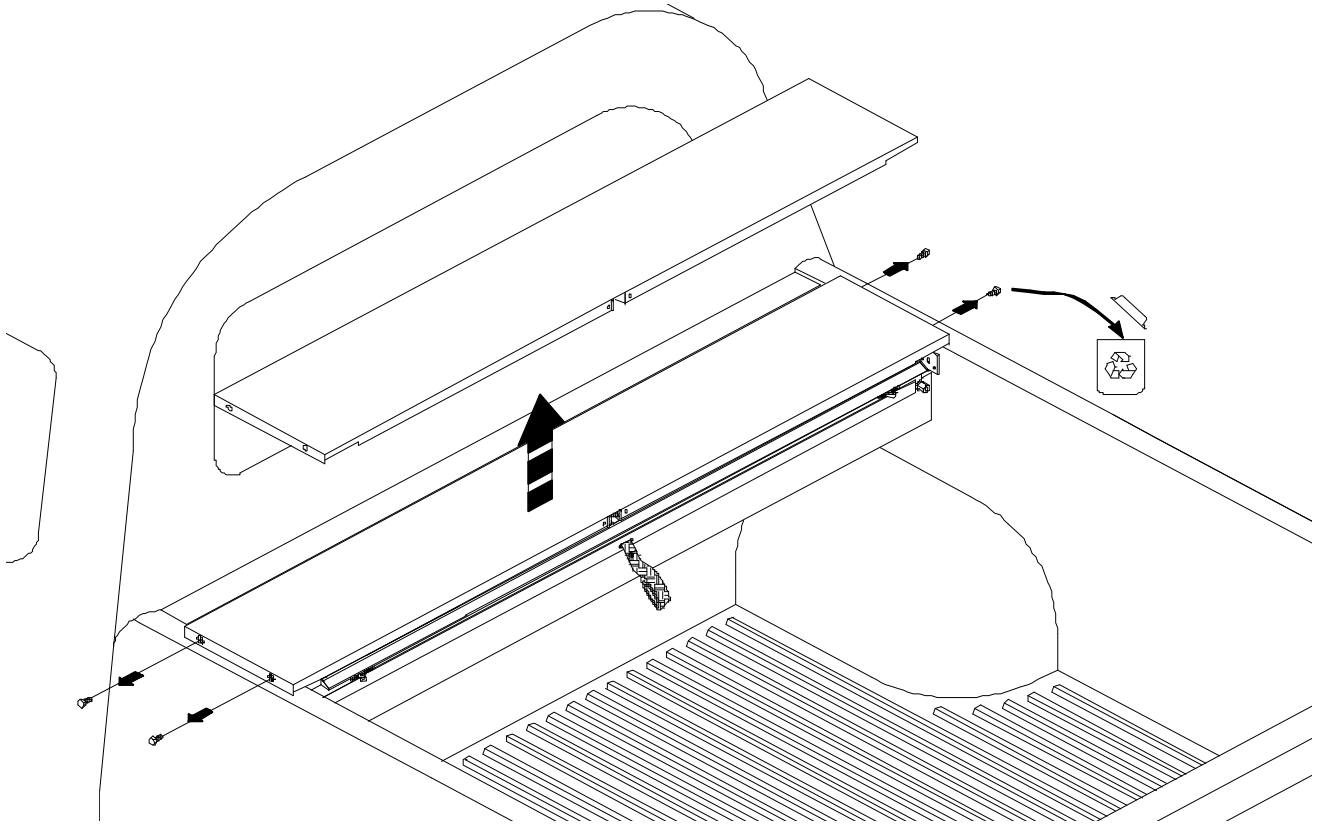
3



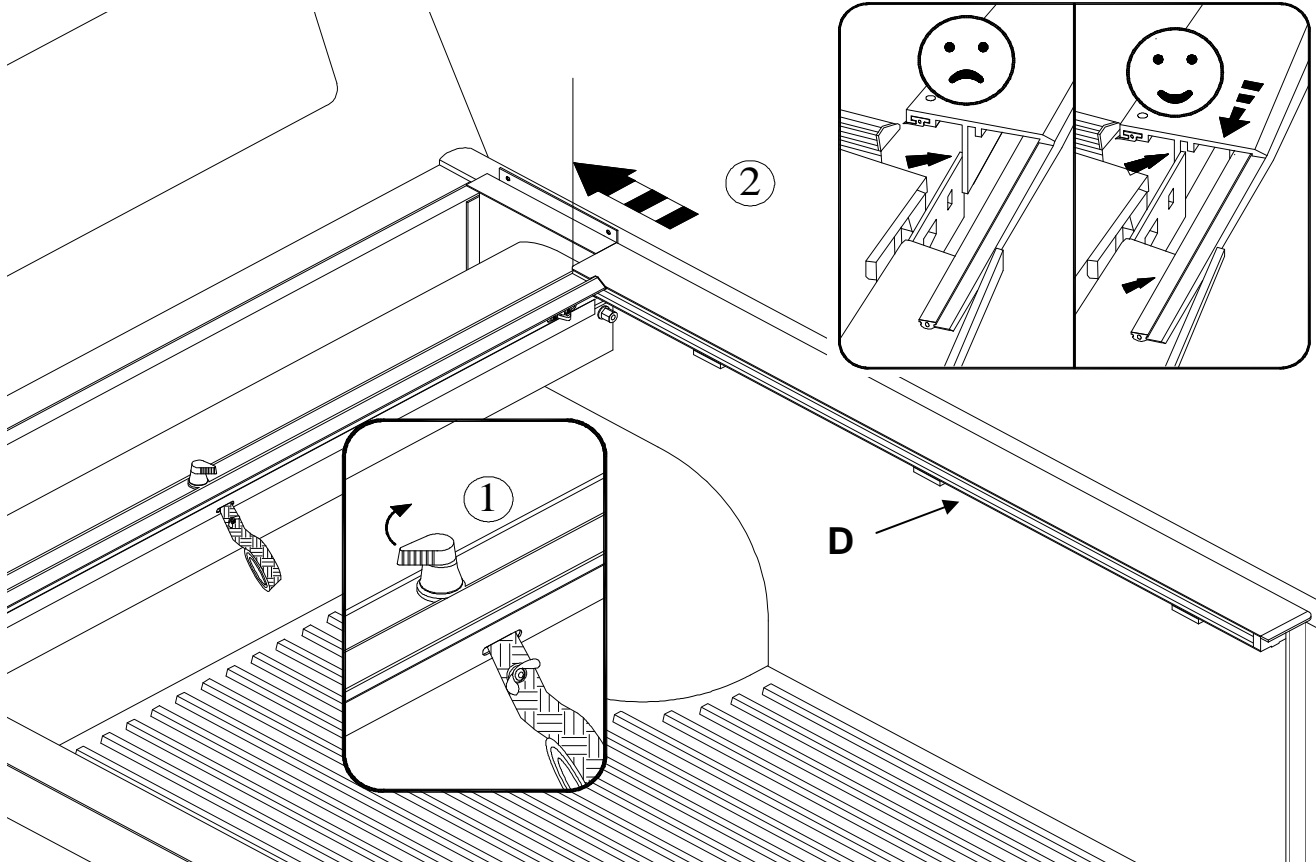
4

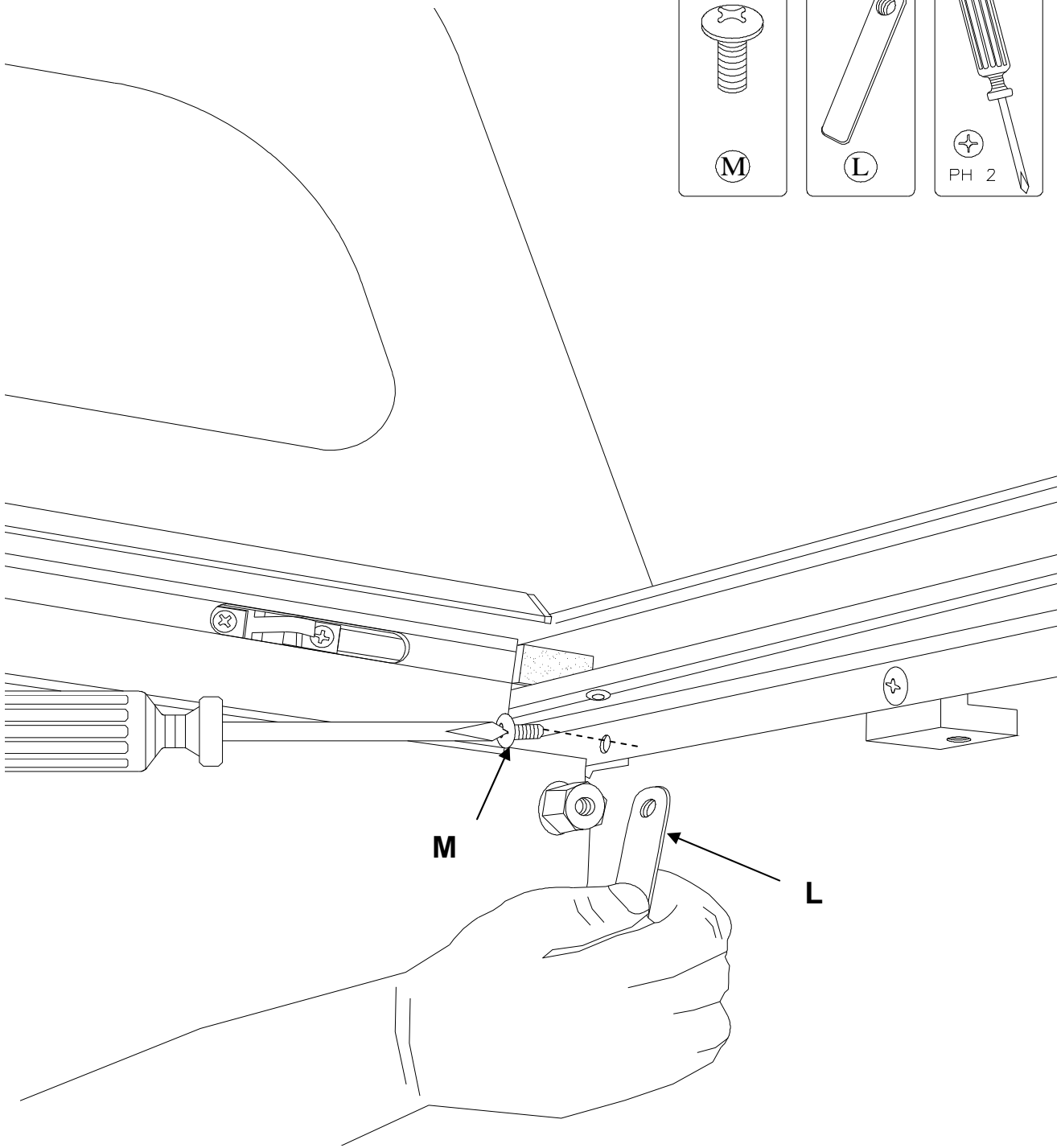
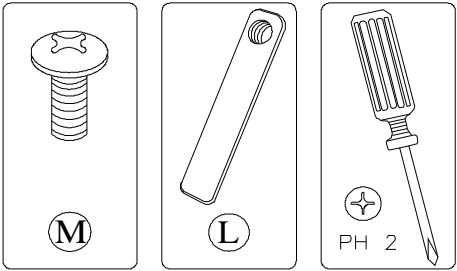


5

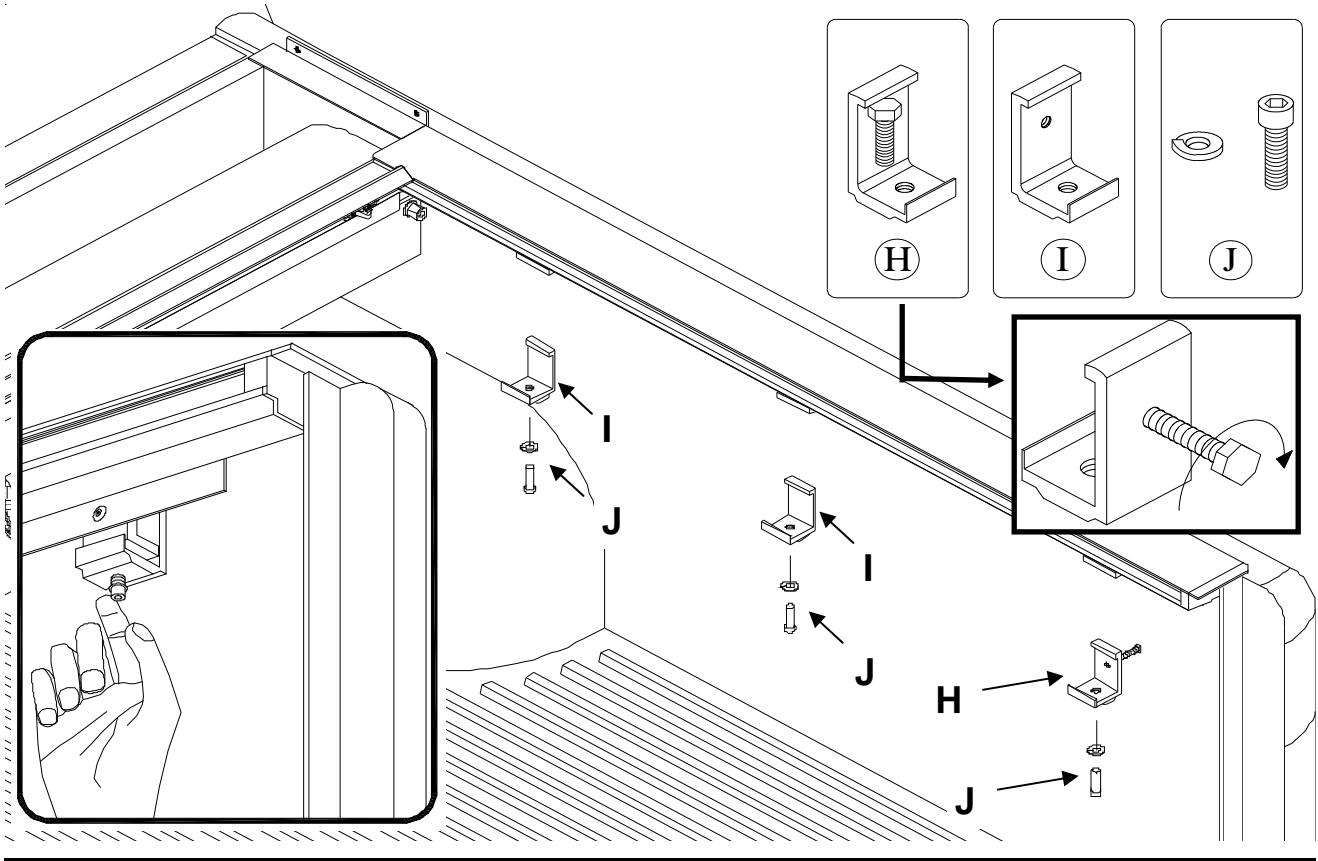


6

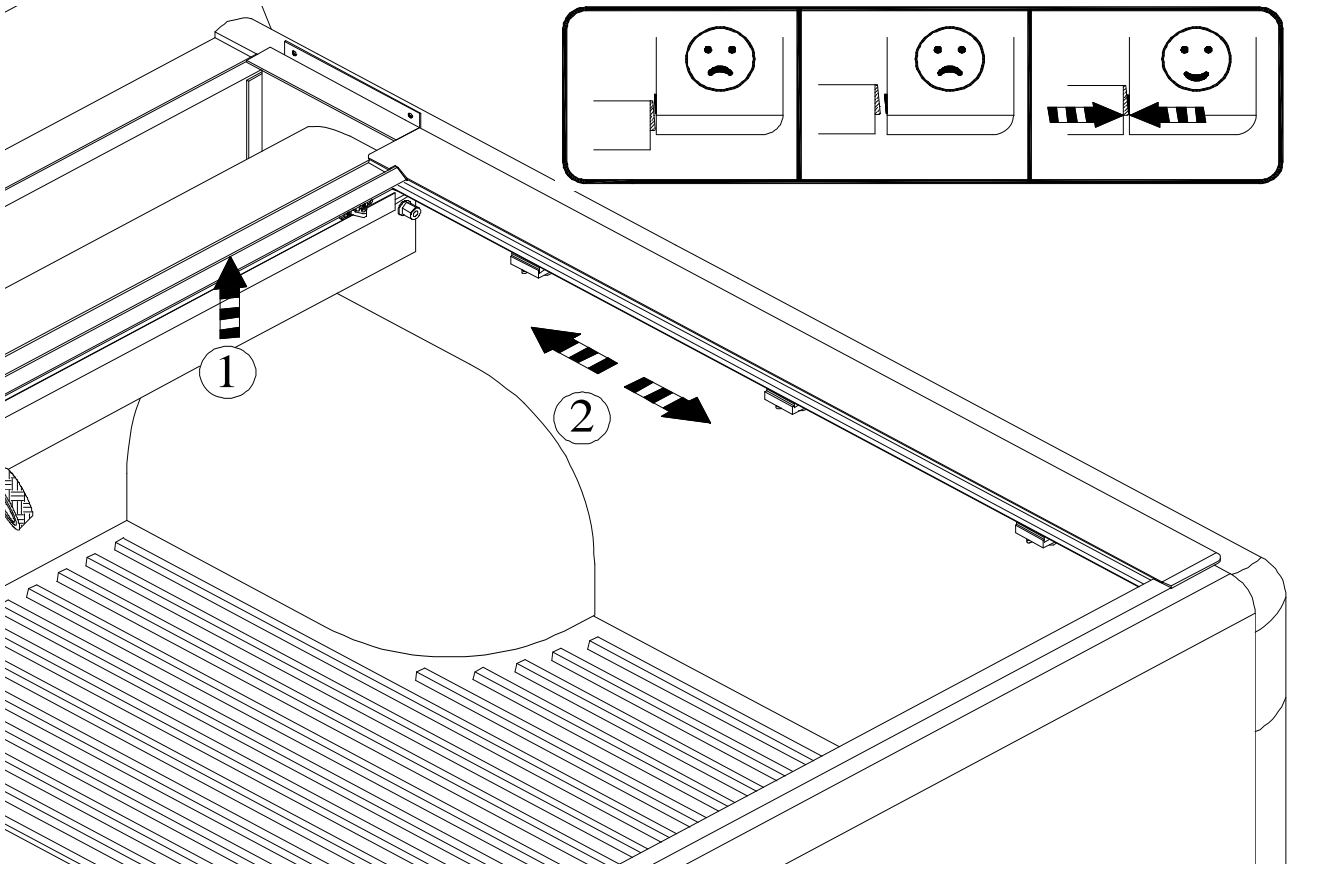




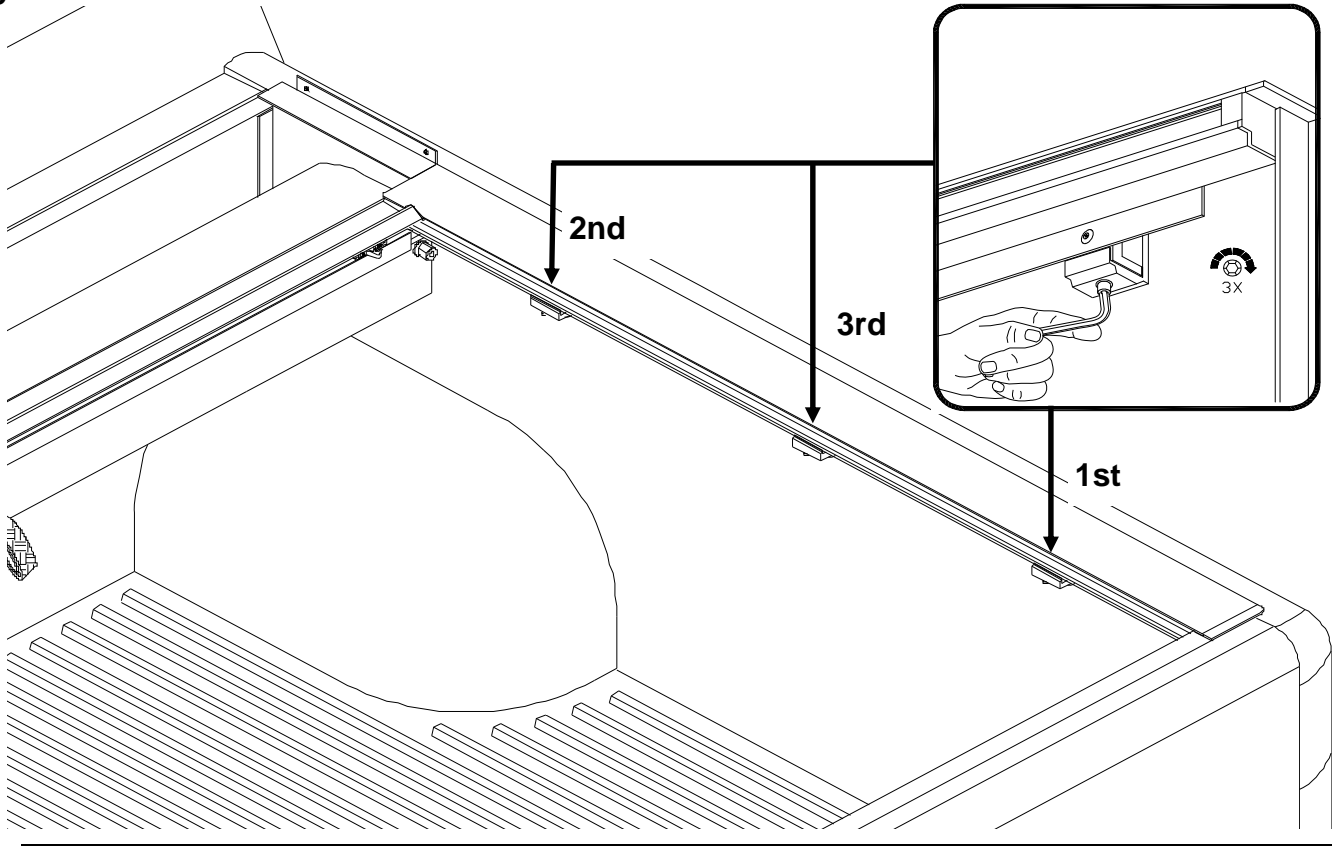
8



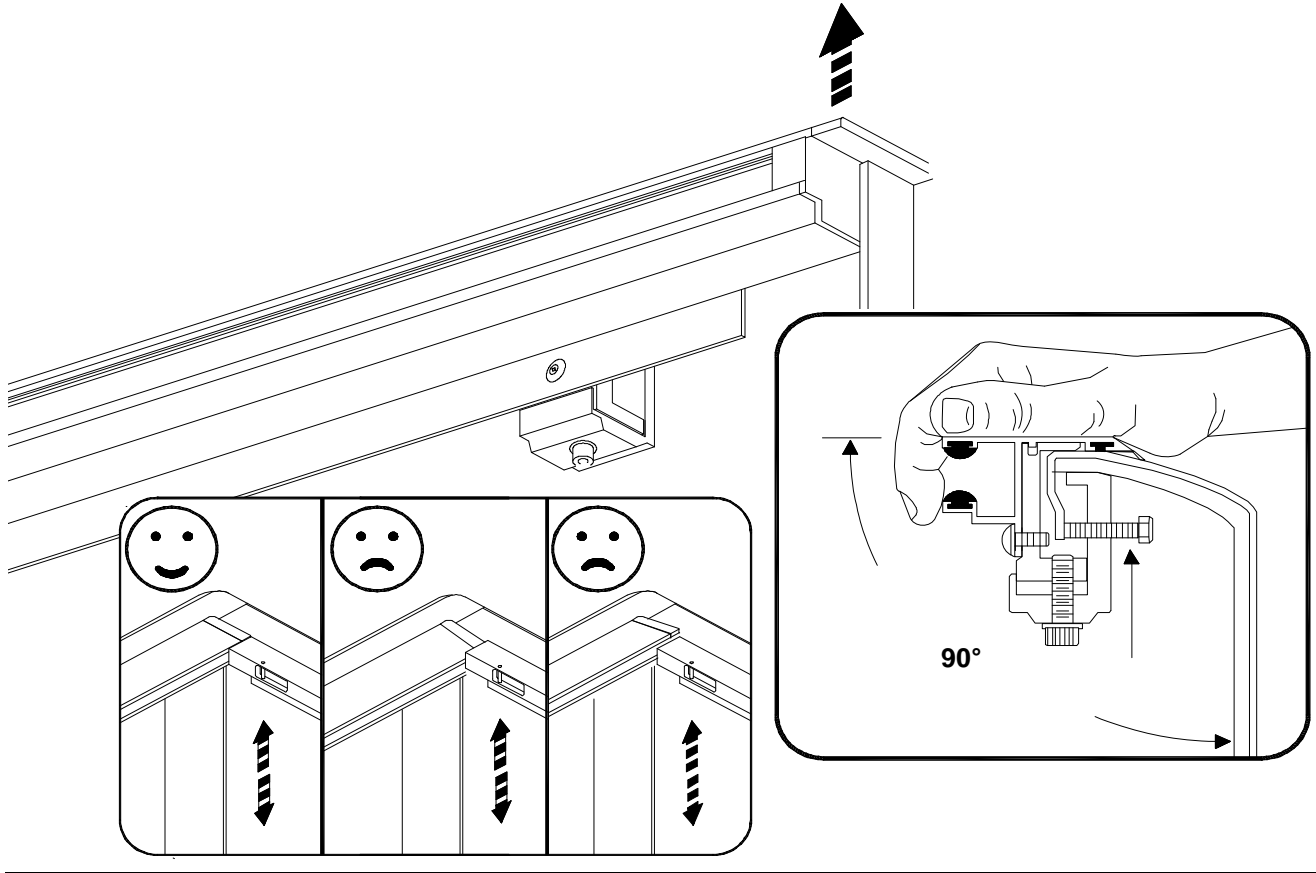
9



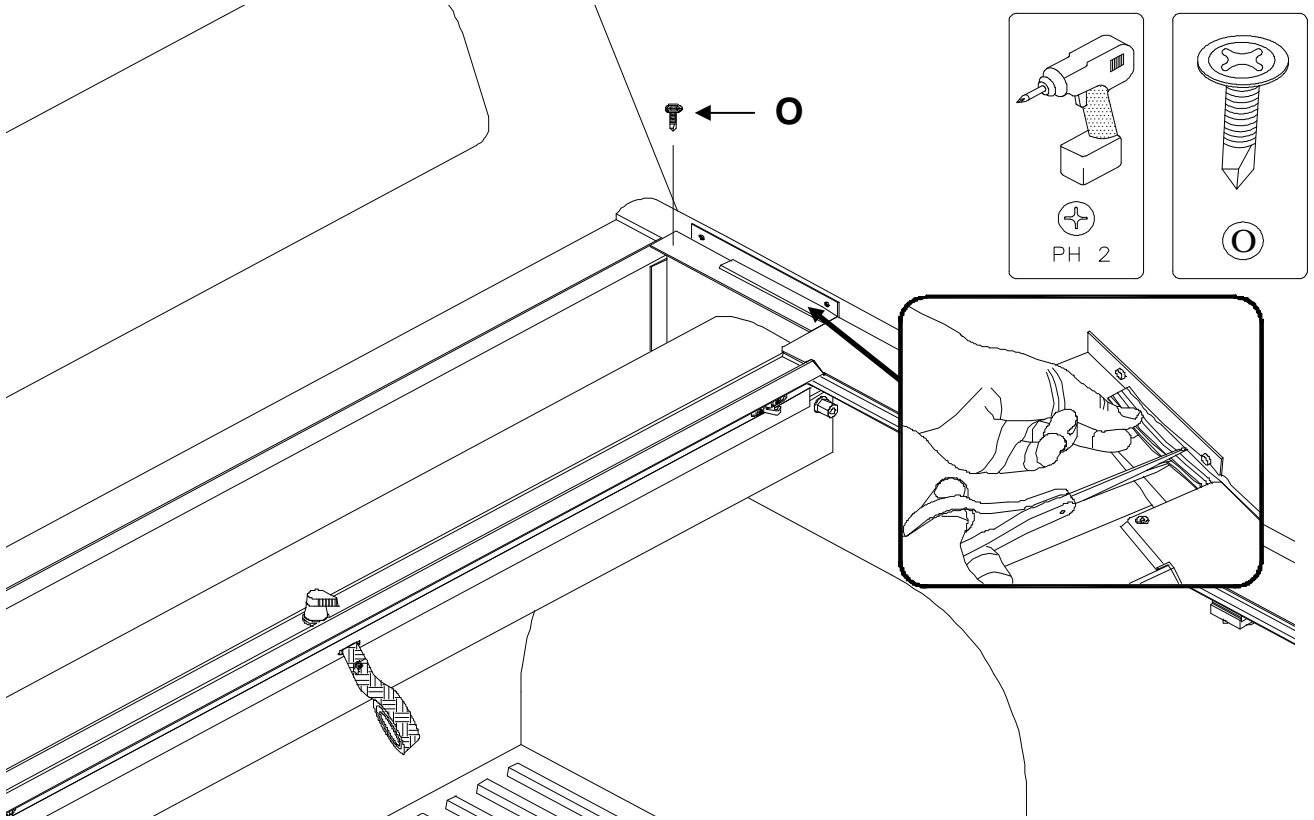
10



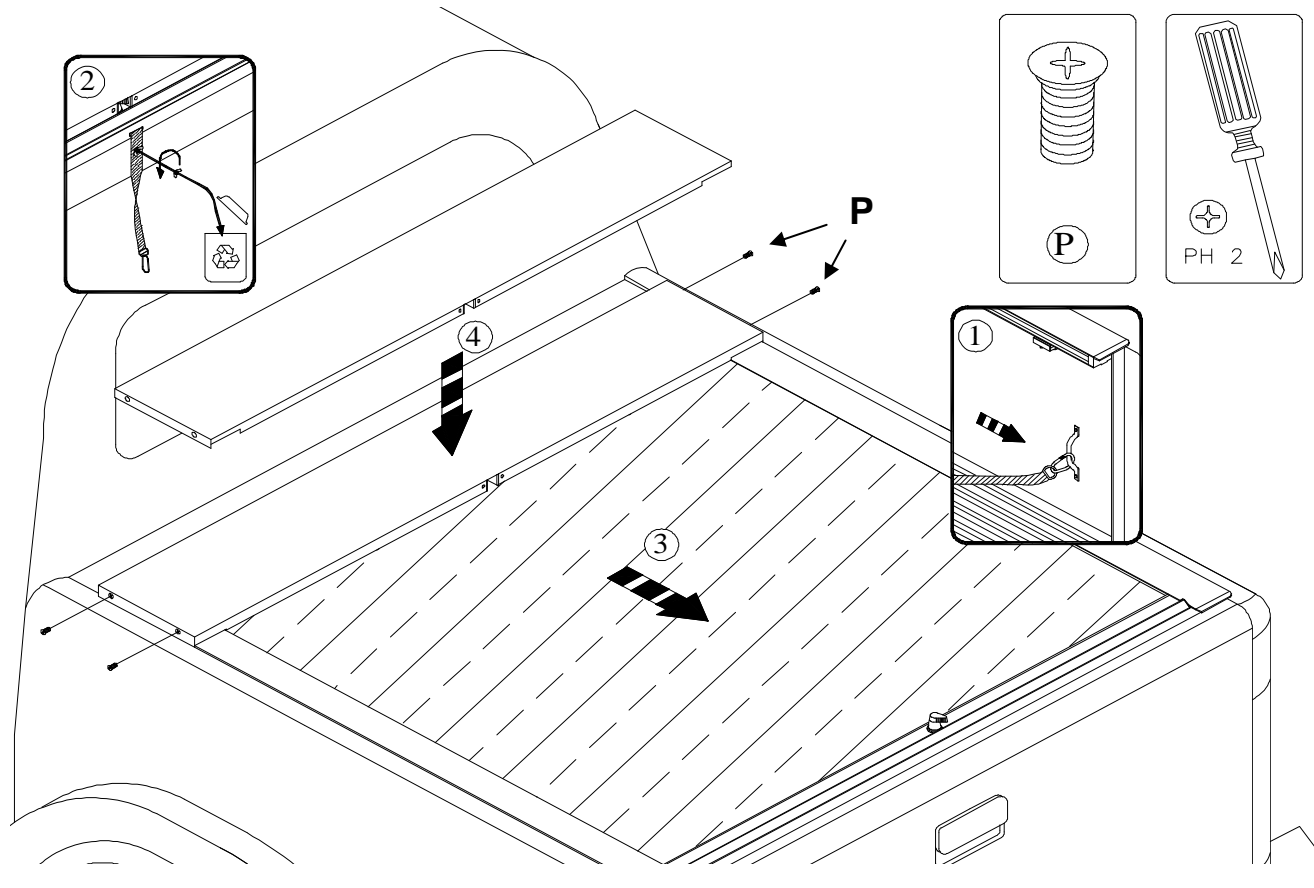
11



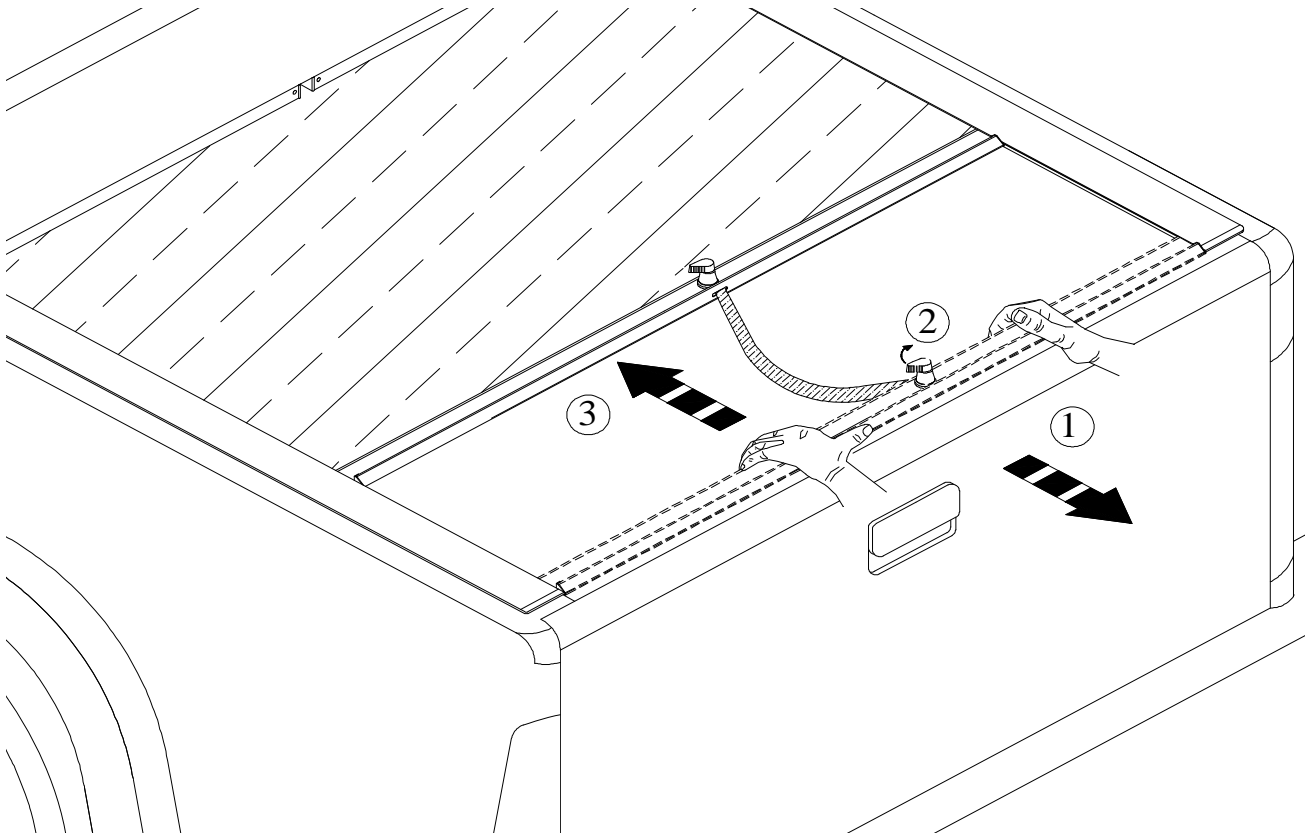
12



13



14



15

