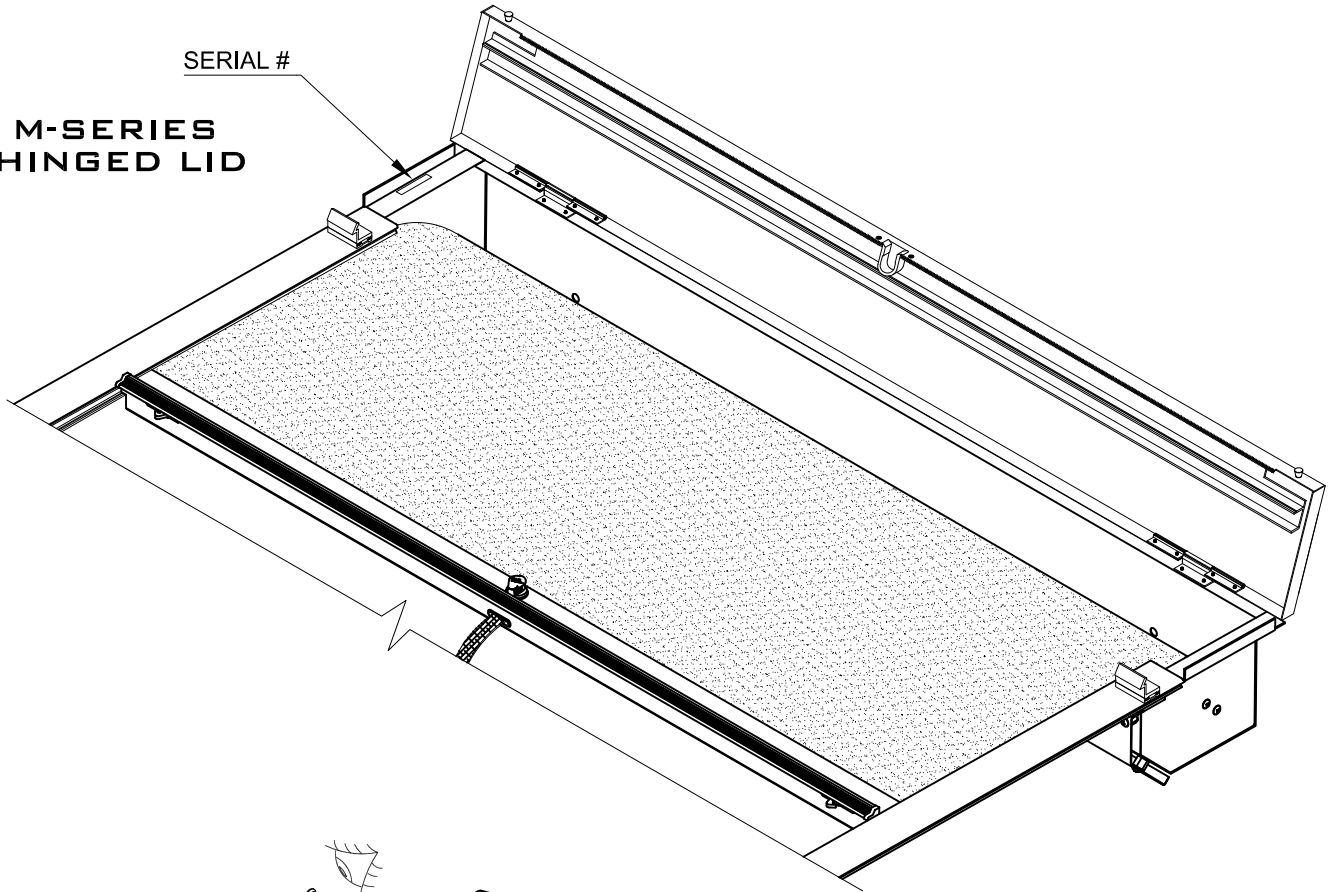




SERIAL # LOCATION

SERIAL #  
M-SERIES  
HINGED LID



SERIAL #  
M-SERIES  
SCREW ON LID

